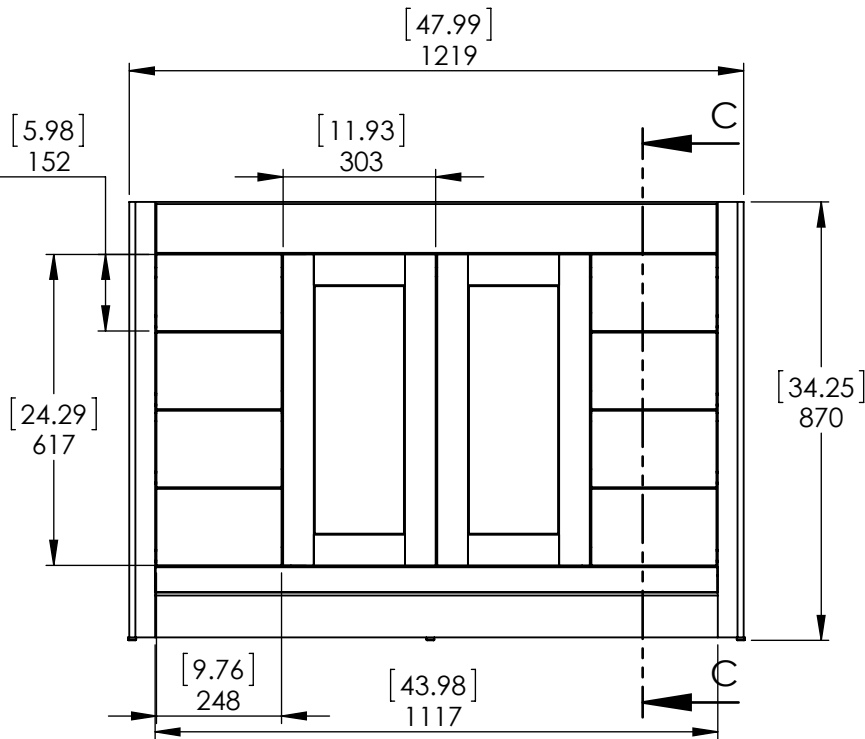
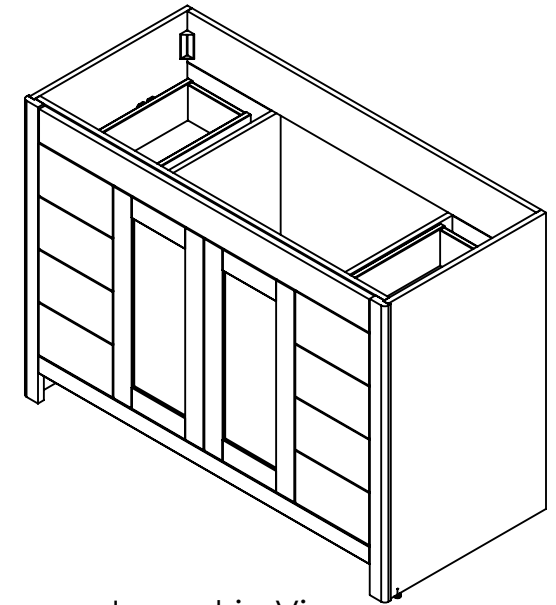
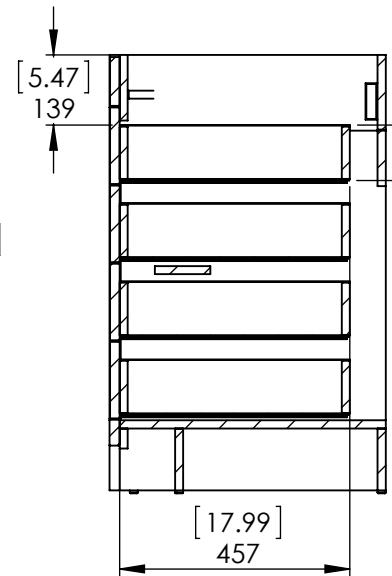


Top View



Front View



SECTION C-C
ESCALE 1 : 15



Back View

ITEM:	WT48-ST WT48-WH WT48-CH WT48-CR	REV	A
-------	--	-----	----------

NAME: **Westcourt 48in Vanity - Sterling / White / Chocolate / Crema**

MATERIAL: **German beech 4/4 Laminated Particle Board**

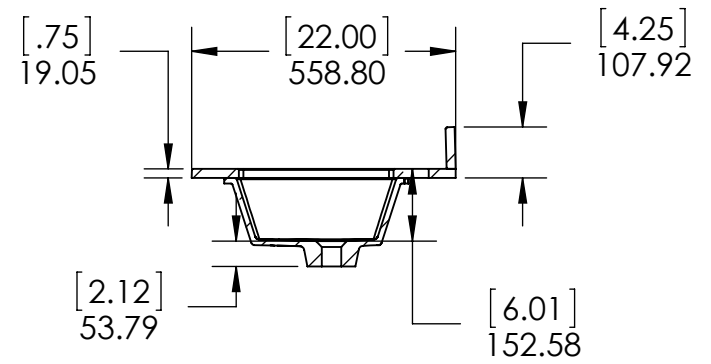
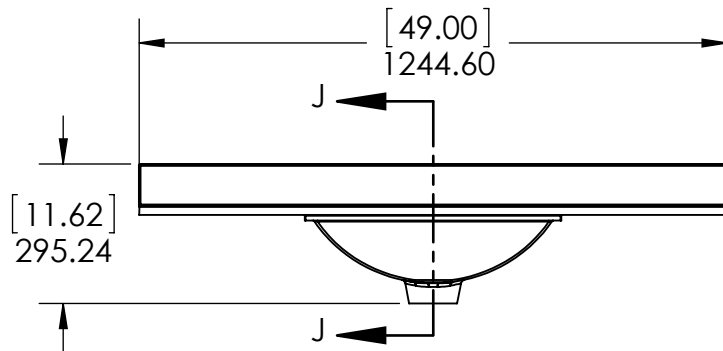
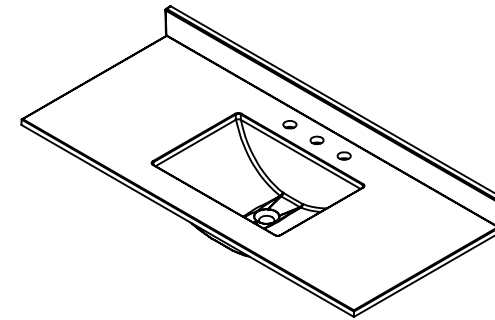
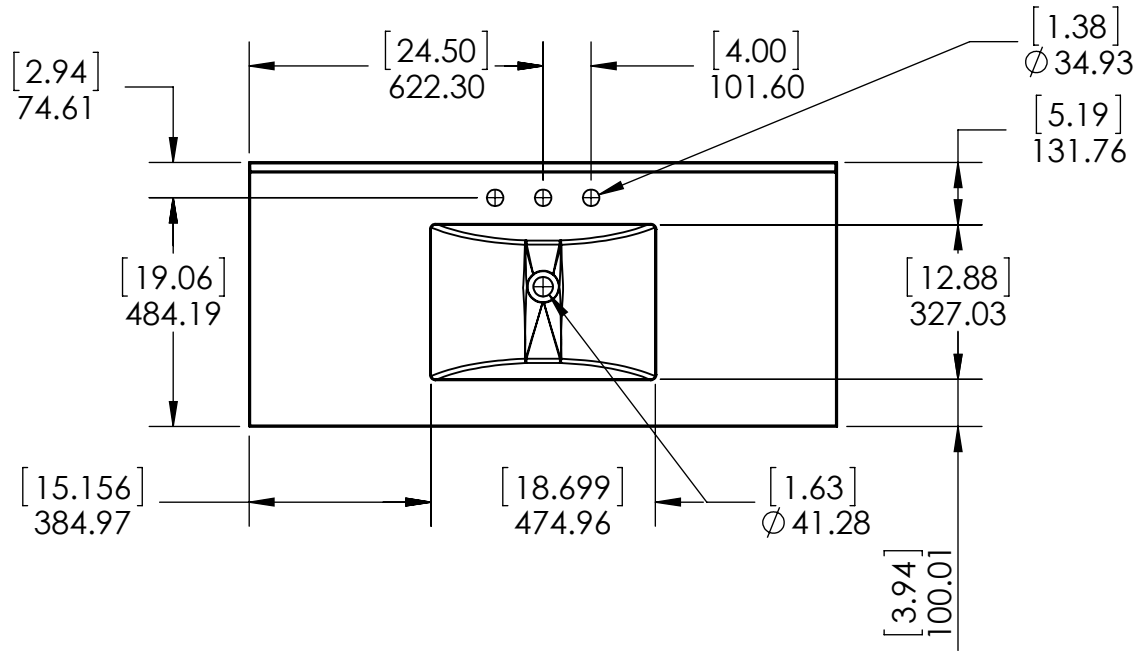
MODEL: **Westcourt 48in**



Propiedad y Confidencialidad
La información contenida en este dibujo es puramente propiedad de *Woodcrafters Home Products LLC*. Queda prohibida cualquier reproducción parcial o total sin el permiso por escrito de *Woodcrafters Home Product LLC*.

DWR	JCNV	01/22/18
REV	ING	01/22/18
APP	R&D	01/22/18
ESCALE: 1:20	MODEL:	Westcourt 48in

Rev #	Approved by	Change
0	R. Rubio	Released
1	O. Razo	New model added



PROPRIETARY AND CONFIDENTIAL
 THE INFORMATION CONTAINED IN THIS DRAWING IS THE SOLE PROPERTY OF WOODCRAFTERS. ANY REPRODUCTION IN PART OR AS A WHOLE WITHOUT THE WRITTEN PERMISSION OF WOODCRAFTERS IS PROHIBITED.

UNLESS OTHERWISE SPECIFIED
 DIMENSIONS ARE IN MM. AND [INCHES]
 TOLERANCES ARE
 +0.125 [3.175] -0.125 [-3.175]
 SCALE:1:16

	NAME	DATE
DRAWN	R. Rubio	08/22/16
CHECKED	R. Rubio	08/22/16
ENG APPR.	R. Rubio	08/22/16
MFG APPR.	C. Leal	08/22/16

Wood Crafters

SIZE DWG. NO. **A** Vtop Stone Effect, Rect 49x22

SHEET 1 OF 2
 REV. **1**

ID	Description	Technology	Status
SE4922-CA	Stone Effects 49x22in Capri VTop	Stone Effect	Approved for production
SER49-DN	Vtop SE Rect 49X22 Shark Tank Dot Com -Dune	Stone Effect	Approved for production
SERST49-WM	Vtop SE Rect 49X22 Shark Tank - Winter Mist	Stone Effect	Approved for production
SE49R-PR	Vtop SE Rect 49X22 Shark Tank - Pulsar	Stone Effect	Approved for production

Rev #	Approved by	Change
0	R. Rubio	Released
1	O. Razo	New model added

PROPRIETARY AND CONFIDENTIAL
 THE INFORMATION CONTAINED IN THIS DRAWING IS THE SOLE PROPERTY OF WOODCRAFTERS. ANY REPRODUCTION IN PART OR AS A WHOLE WITHOUT THE WRITTEN PERMISSION OF WOODCRAFTERS IS PROHIBITED.

UNLESS OTHERWISE SPECIFIED
 DIMENSIONS ARE IN MM. AND [INCHES]
 TOLERANCES ARE
 + 0.125 [3.175] - 0.125 [-3.175]
 SCALE:1:16

	NAME	DATE
DRAWN	R. Rubio	08/22/16
CHECKED	R. Rubio	08/22/16
ENG APPR.	R. Rubio	08/22/16
MFG APPR.	C. Leal	08/22/16

		SHEET 2 OF 2
SIZE	DWG. NO.	REV.
A	Vtop Stone Effect, Rect 49x22	1