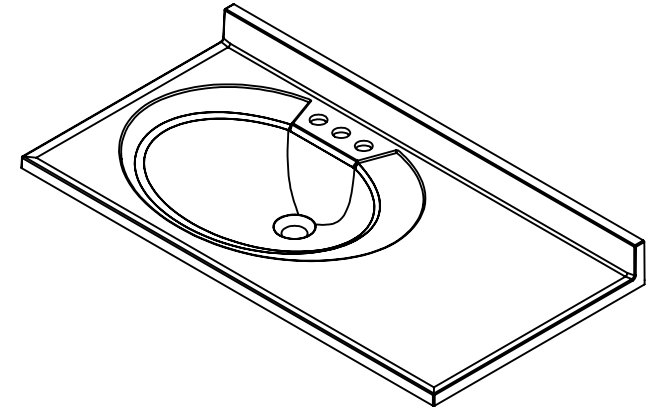
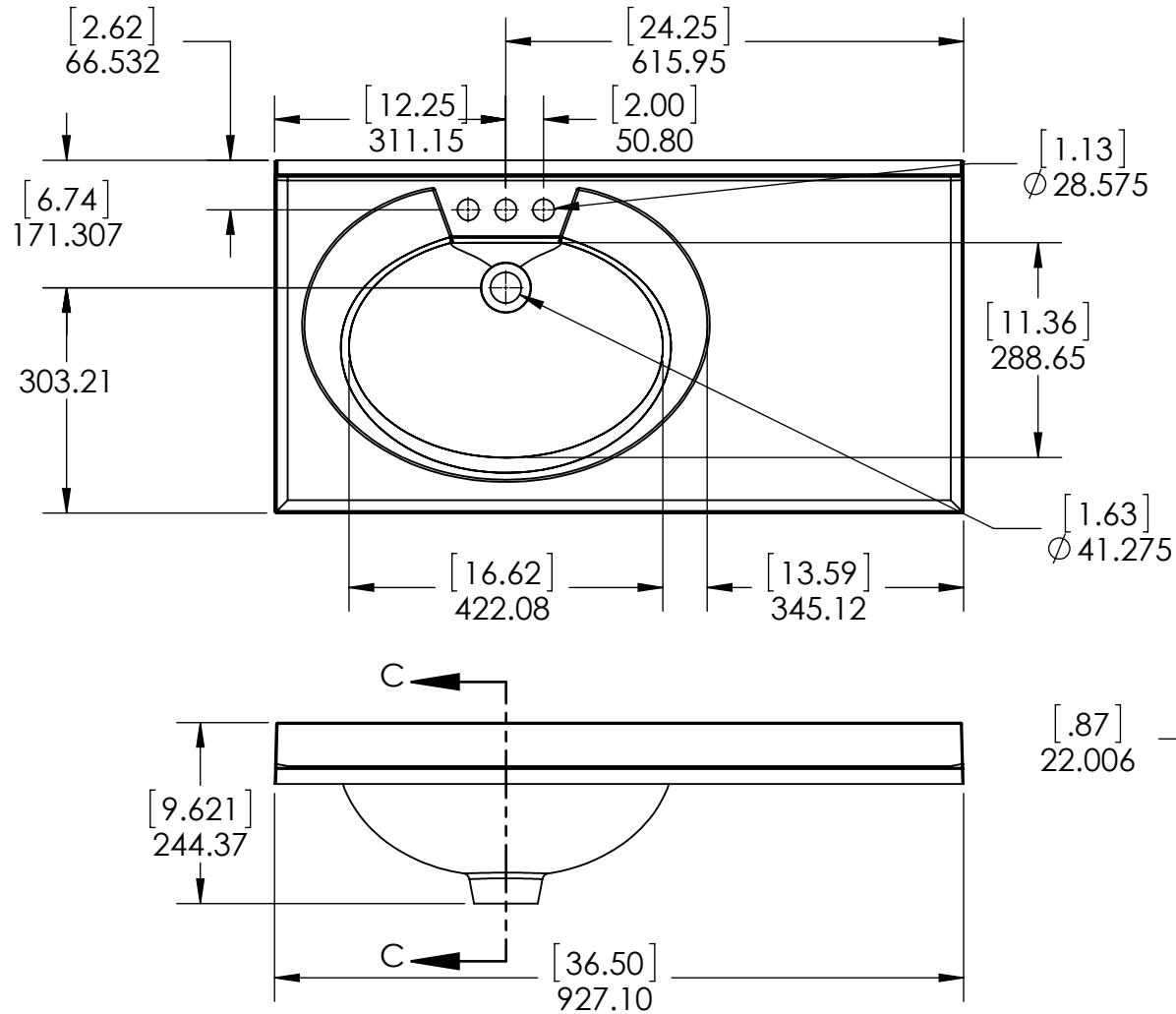

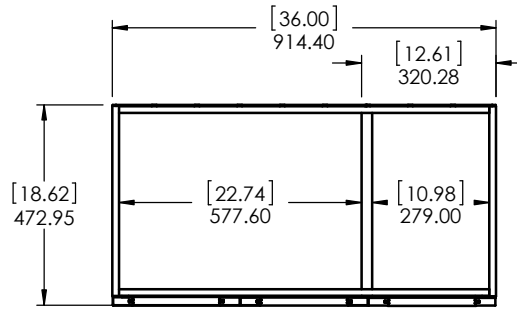


DRAWING TYPE	ITEM ID	ITEM DESCRIPTION	TECHNOLOGIES	DRAWING STATUS
Finish Good	595194	Newport Blanco 37x19 Offset LH	Solid Color	Design Process
Finish Good	595200	Newport CP Beach 37x19 Offset LH	Color Point	Design Process
Finish Good	595244	Top, Newport, CP 37x19 Offset LH - Maui	Color Point	Design Process

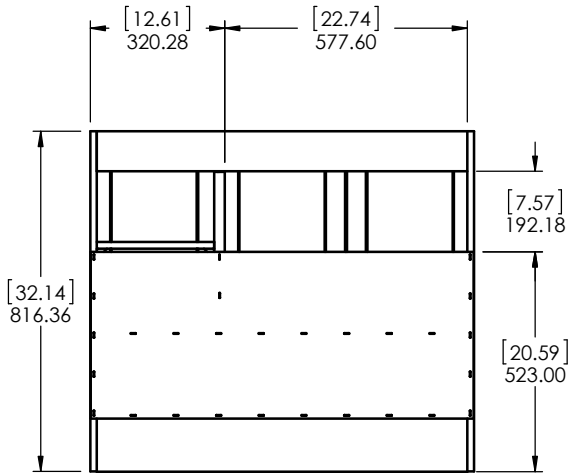
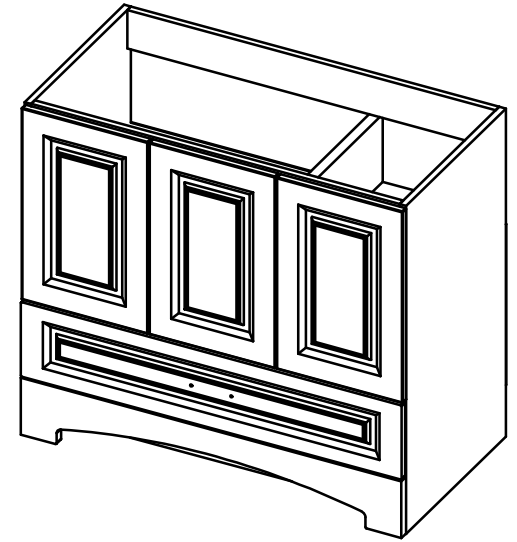


Estimated Weight: 15.32 kg

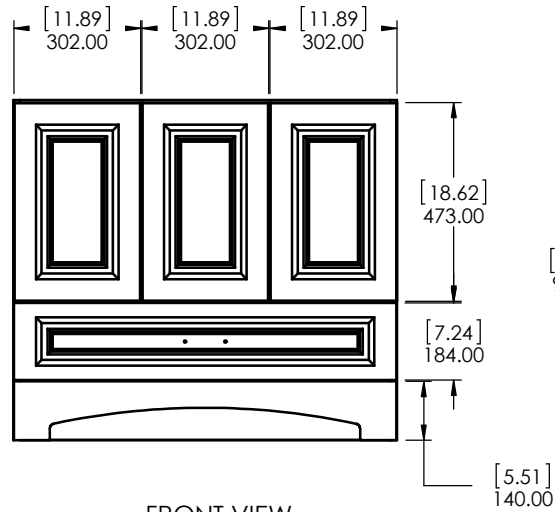
PROPRIETARY AND CONFIDENTIAL		UNLESS OTHERWISE SPECIFIED		NAME		DATE	
THE INFORMATION CONTAINED IN THIS DRAWING IS THE SOLE PROPERTY OF WOODCRAFTERS. ANY REPRODUCTION IN PART OR AS A WHOLE WITHOUT THE WRITTEN PERMISSION OF WOODCRAFTERS IS PROHIBITED.		DIMENSIONS ARE IN MM. AND (INCHES) TOLERANCES ARE +0.125 [3.175] -0.125 [-3.175] SCALE:1:10		DRAWN	J.Martinez	5/16/16	 SIZE DWG. NO. A Newport top 37x19 offset SHEET 1 OF 1 REV: 0
				CHECKED	R. Rubio	5/16/16	
				ENG APPR.	V. Sanchez	5/16/16	
				MFG APPR.	C. Leal	5/16/16	



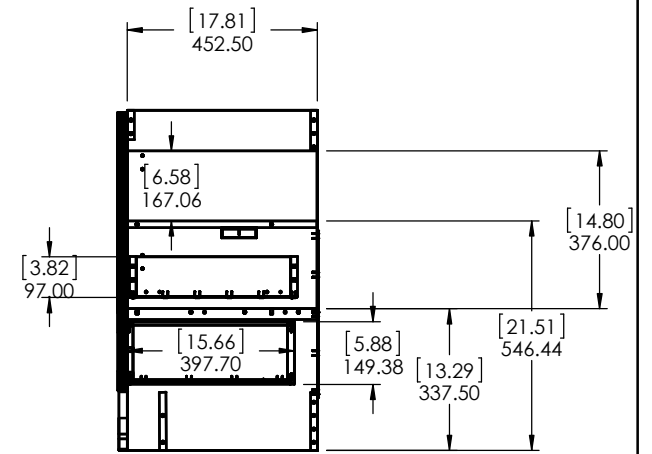
TOP VIEW



BACK VIEW



FRONT VIEW



RIGHT VIEW



TITLE: **LC36P2-WH**