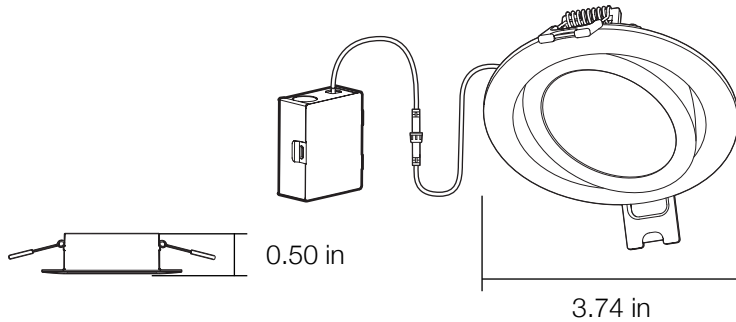


PRODUCT SPECIFICATIONS

# 3 in LED Slim Spot Light Recessed Kit



91293  
SKU# 1003532001

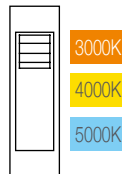


## SPECIFICATIONS

Model Number	91293
SKU	1003 532 001
OSMID	306079887
Power	6 W
AC Voltage, Frequency	120V, 60 Hz
Color Temp (nom.)	3000K/ 4000K/ 5000K
Operation Temp	-13°F ~ 113°F
CRI	90
Lumen Output (min.)	370 lm
Dimming	YES
Lifetime Rating	L70/50000Hrs
Efficacy	62 lm/watt

## ADVANTAGES

- 50 Watt Equivalent
- 50,000 Hours of Continuous Use
- 5 Year Warranty
- Slim design allows for installing on almost any shallow ceiling application
- Dimming to 10% Without Buzzing or Flickering
- IC Rated for Direct Contact with Insulation
- 90 CRI Provides High Color Quality
- Adjust Color of Light with Integrated Switch- Soft White (3000K), Bright White (4000K), Daylight (5000K)



## PACKAGING

Weight (±0.5 lb)	0.69 lbs
Size (L x W x H) (±0.1 in)	3.74 in x 3.74 in x 0.50 in
Box Dimensions	4.49 in x 3.54 in x 3.98 in
Gross Weight	0.9725 lbs
UPC	058219912935

## DIMMER LIST

LUTRON		
CTCL-153PDH-IV	DVCL-153P-WH	SLV-600P-WH
CTCL-153PDH-WH	DV-600PR-WH	LGCL-153PLH-WH
DVWCL-153PH-WH	DV-600PR-BL	DVW-603PGH-WH
MSCL-OP153M-WH	TG-600PR-WH	DVLV-600PH
TG-600PR-LA	S-600P-WH	DV-103P-WH
TGCL-153PH-WH	TG-603PGH-WH	MRF2-6ND-120WH
S-600P-WH	S2-LH	MALVD-600-WH
AY-600P-LA	DVELV-300P-WH	PD-10NXD-WH

COOPER
DAL06P-C2

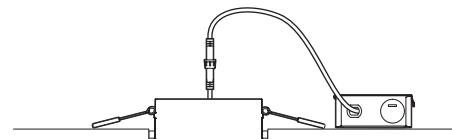
LEVITON
6674
S2-LH
6683
6672



## INCLUDED IN BOX

- LED Downlight (1)
- Remote Junction Box(1)
- Hole Template (1)

## NEW CONSTRUCTION RETROFIT MOUNT



## APPLICATIONS

Suitable for Wet Locations

Contact Information 1-877-527-0313 · WWW.HOMEDEPOT.COM