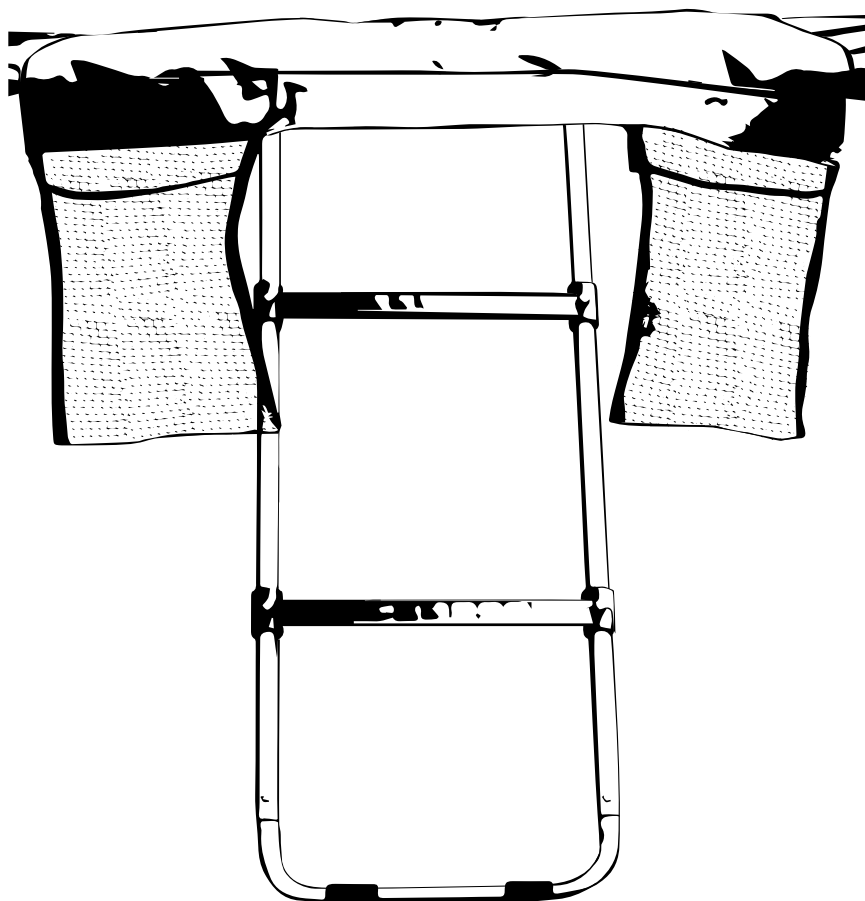


LADDER COMBO KIT TRAMPOLINE ACCESSORY

User Manual

Skywalker Trampolines Model # SAL700



WARNING

Read all precautions and instructions in this manual before using this equipment. Save this manual for future reference. User weight limit 275 lbs.



WARNING

Ladders allow young children to climb onto the trampoline. Trampolines are not for children under 6 years of age. Do not use ladder if children under 6 are nearby. Remove ladder when trampoline is not in use, to prevent unauthorized use.

SKYWALKER

TRAMPOLINES®

Skwalker Holdings LLC

PO Box 574, Brigham City, UT 84302

Model: SAL700

CONTENTS

Before you Begin	3
Part Identification / List.....	4
Assembly.....	4-6
Limited Warranty	7

REPLACEMENT PARTS or QUESTIONS

If you have questions after reading this manual, please call our toll-free Customer Care Hotline. Our trained technicians will provide immediate assistance. You can also visit us at www.skywalkertrampolines.com.

Customer Care Hotline: 1-866-603-5867
Monday - Friday, 8:00 a.m. - 5 p.m. Mountain Time

WARNING

High Wind: The trampoline can be blown around by high winds. If you expect high winds, the trampoline should be moved to a sheltered location, taken apart, or tied down to the ground with ropes and stakes (NOT INCLUDED). At least four ropes and four stakes should be used. The top of the stakes should be at ground level so they will not create a tripping hazard. In addition, the top of the stakes should be covered, if necessary, so that users will not be injured by falling on the stakes. Even with the use of wind stakes, trampolines can become damaged and there is no warranty coverage or guarantee. The only sure method to protect your trampoline and the surrounding environment during high winds is to completely disassemble the unit and store indoors. The manufactures warranty does not cover any type of wind or weather damage.

Do not stand near the trampoline in windy or gusty conditions. A trampoline can become airborne when exposed to sustained wind or gusting wind conditions. This can result in serious injury, paralysis, or death, as well as property damage. To reduce these risks, disassemble the trampoline and enclosure and store them until weather conditions improve. Anchoring a trampoline frame may prevent the trampoline from moving as a result of the wind, but even anchored trampolines can become airborne or damaged. Consult a qualified contractor to determine what type of anchor works best in your location.

WARNING

Read the assembly, installation, care, maintenance, and use instructions in this manual prior to assembling and using this equipment. Save this manual for future reference.

BEFORE YOU BEGIN

Thank you for selecting the Skywalker Trampolines Wide-step Ladder. This accessory, when combined with a properly placed and maintained trampoline and enclosure, will provide many years of backyard fun. This information must be read by all supervisors and users before any person is allowed to use the ladder.

If you have any questions after reading this manual, please call our toll-free Customer Care Hotline at 1-866-603-JUMP(5867) , Monday through Friday, 8 a.m. until 5 p.m. Mountain Time (excluding holidays). To help us assist you, please mention the model number of the product when calling.

www.skywalkertrampolines.com

CARE AND MAINTENANCE

If your ladder becomes dirty, spray with water to clean. Do not allow use of the ladder until it has dried completely.

Check all hardware before each use. Tighten any bolts or nuts that have become loose before allowing use of the trampoline ladder. If you notice any broken parts, put your trampoline ladder away until it can be fixed.

When you are not using your trampoline ladder, please put it away to prevent unauthorized use of your trampoline.

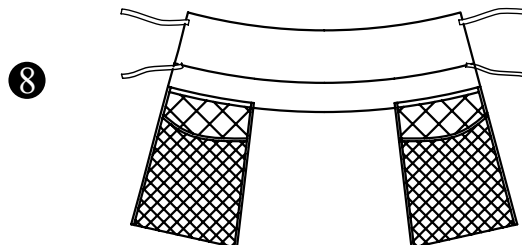
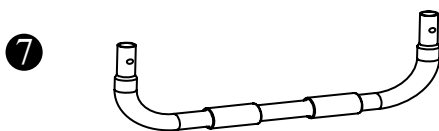
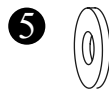
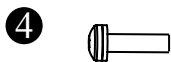
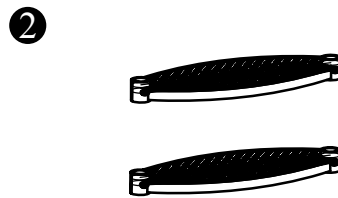
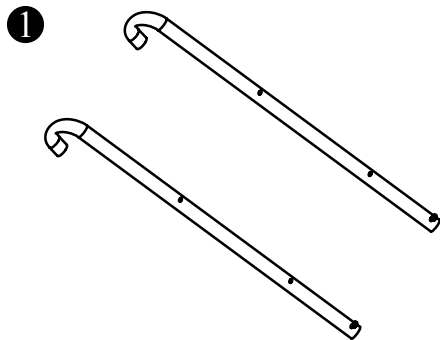
The trampoline ladder has a user weight limit of 275 lbs.

ASSEMBLY

PART IDENTIFICATION

Before beginning assembly, refer to the drawings below to identify all the parts used. The numbers in the circles to the left of each part will be used to help differentiate the parts in the instructions.

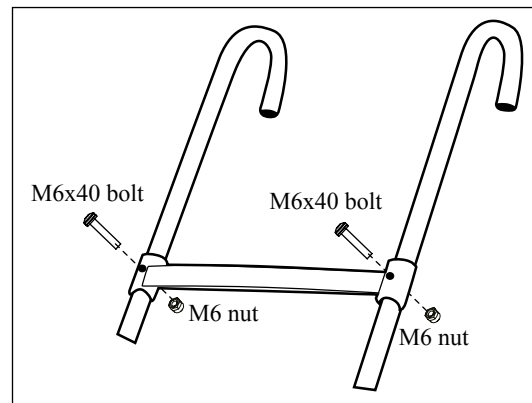
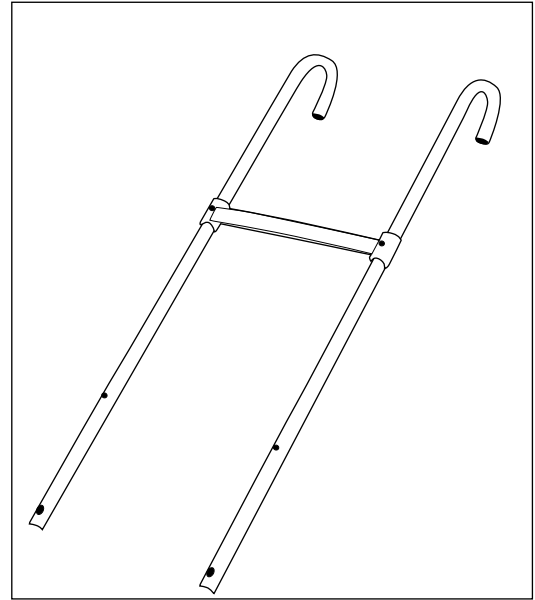
Key No.	Qty.	Description
1	2	Curved Ladder Rails
2	2	Ladder Step
3	4	M6x40mm Bolt
4	2	M6x33mm Bolt
5	4	M6 Washer
6	6	M6 Nut
7	1	Lower Frame Base
8	1	Doormat Shoe Bag



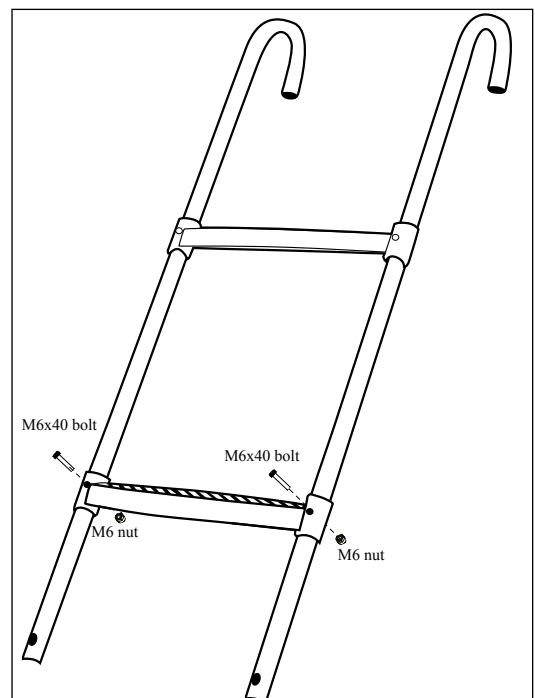
ASSEMBLY

Tools required: adjustable wrench, phillips screwdriver
Use caution not to pinch your fingers.

1. Lay the two curved ladder rails (1) on a clear area.
2. Place one of the ladder steps (2) onto the bottom of each ladder rail. Slide the step up until the top bolt holes of the rail and step line up. (Make sure the checkered pattern of the step is facing up.)
3. Insert the M6x40 (3) bolt through the ladder step and ladder rail. Tighten an M6 (6) nut on the back of each bolt.

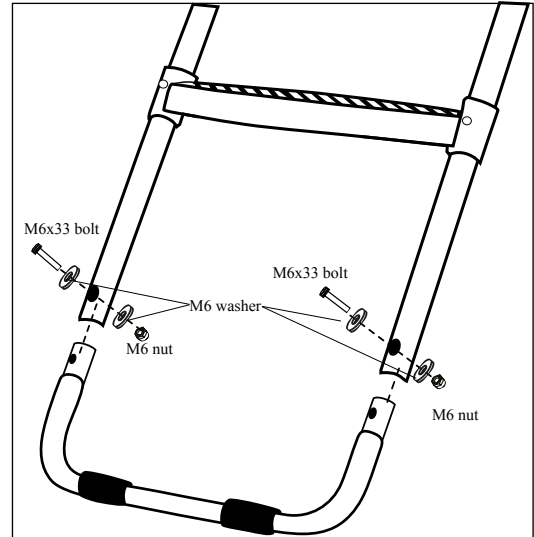


4. Repeat steps 2&3 to assemble the second ladder step.

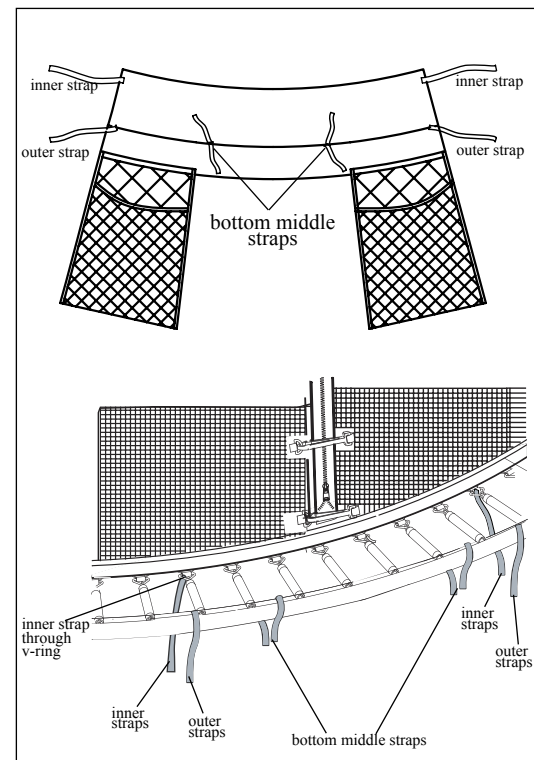


ASSEMBLY

4. With the assembled top half of the ladder, place the lower frame base (7) onto the ladder rails making sure to align the bolt holes. Insert the M6x33 (4) bolt with M6 washer (5) on each side of the frame. Secure with an M6 nut (6) on each side.
5. To place the ladder on your trampoline, simply hook the top of the ladder onto the trampoline frame underneath the spring pad.



7. To attach the Doormat Shoe bag, place the mat on the spring pad making sure to center it with the enclosure door.
8. Locate the straps on the bottom middle of the doormat and tie to the frame.
9. Now, locate the two set of straps on each side of the mat. Choose one side, and thread the inner strap through the closest v-ring and place the outer strap over the frame. Tie the two straps together underneath the trampoline. Repeat with the two straps on the other side.



The assembly of your trampoline accessory ladder kit is now complete. Enjoy!

LIMITED WARRANTY

Skywalker Holdings, LLC warrants its products to be free from defects in material and workmanship under normal use and service conditions. The steel frame is warranted for one (1) year after the date of purchase. All other parts are warranted for ninety (90) days after the date of purchase. Wind or weather damage is not warranted.

All warranty coverage extends only to the original retail purchaser from the date of purchase. Skywalker Holdings, LLC obligation under this Warranty is limited to replacing or repairing, at Skywalker Holdings, LLC option, the product at one of this authorized service centers. All products for which a warranty claim is made must be received by Skywalker Holdings, LLC at one of its authorized locations. Preauthorization may be obtained by calling Skywalker Holding, LLC Customer Care Hot Line at 1-866-603-Jump(5867). This Warranty does not extend to any product or damage to a product caused by or attributable to freight damage, abuse, misuse, improper or abnormal usage, or repair not provided by a Skywalker Holdings, LLC authorized service center, or to products used for commercial or rental purpose. No other Warranty beyond that specifically set forth above is authorized by Skywalker Holdings, LLC.

SKYWALKER HOLDINGS, LLC IS NOT RESPONSIBLE OR LIABLE FOR INDIRECT, SPECIAL OR CONSEQUENTIAL DAMAGES ARISING OUT OF OR IN CONNECTION WITH THE USE OR PERFORMANCE OF THE PRODUCT OR OTHER DAMAGES WITH RESPECT TO ANY ECONOMIC LOSS, LOSS OF PROPERTY, LOSS OF REVENUE OR PROFITS, LOSS OF ENJOYMENT OR USE, COST OF REMOVAL, INSTALLATION OR OTHER CONSEQUENTIAL DAMAGES. SOME STATES DO NOT ALLOW THE EXCLUSION OR LIMITATION OF INCIDENTAL OR CONSEQUENTIAL DAMAGES. ACCORDINGLY, THE ABOVE LIMITATION MAY NOT APPLY TO YOU.

THE WARRANTY EXTENDED HEREUNDER IS IN LIEU OF ALL OTHER WARRANTIES AND ANY IMPLIED WARRANTY OF MERCHANTABILITY OR FITNESS FOR A PARTICULAR PURPOSE IS LIMITED IN ITS SCOPE AND DURATION TO THE TERMS SET FORTH HEREIN. SOME STATES DO NOT ALLOW LIMITATIONS ON HOW LONG AN IMPLIED WARRANTY LASTS. ACCORDINGLY, THE ABOVE LIMITATION MAY NOT APPLY TO YOU. This Warranty gives you specific LEGAL RIGHTS. You may also have other rights which vary state to state.

THIS WARRANTY IS VALID ONLY IN THE UNITED STATES.

Skywalker Holdings, LLC, PO Box 574, Brigham City, UT 84302 USA.

Printed in China © 2016 Skywalker Holdings, LLC.