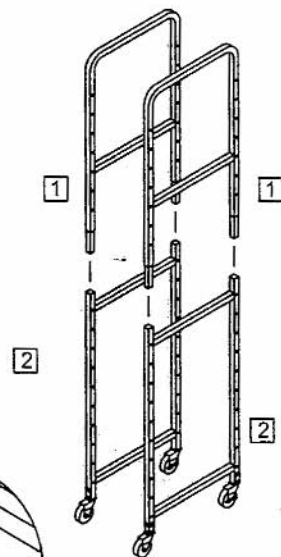
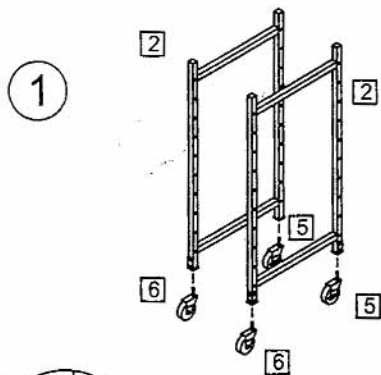
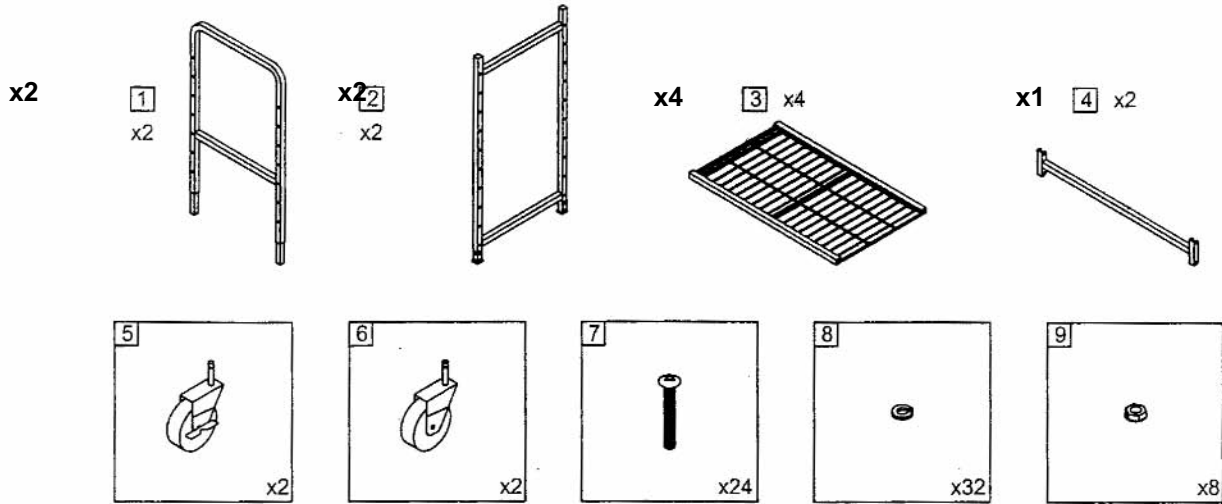


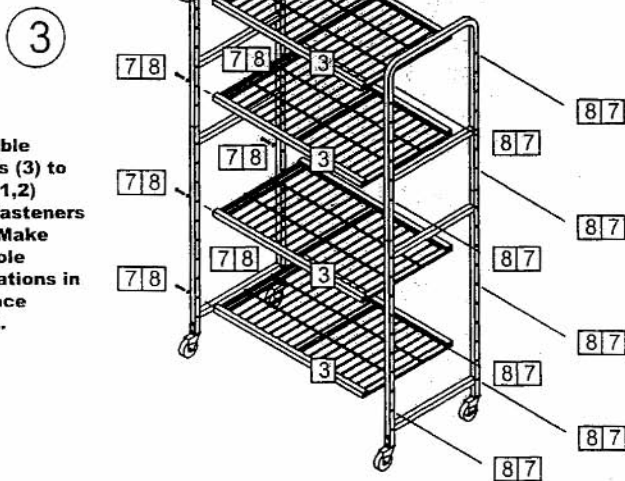
Buddy Products

Assembly Instructions

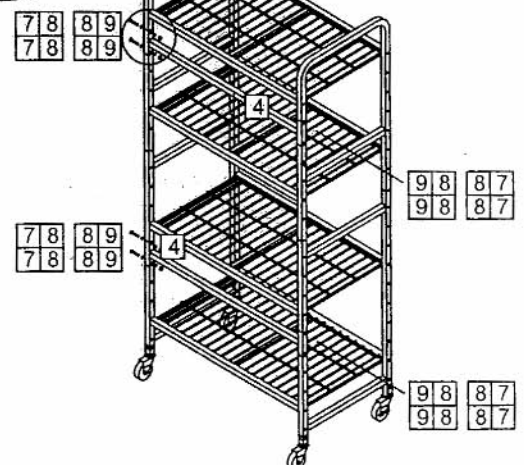
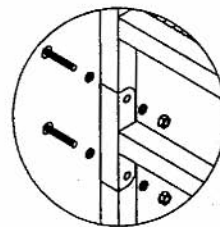
ITEM #5418



2
Insert upper sections (1) into lower sections (2). Make sure hole indentations face the same way.



3
Assemble shelves (3) to sides (1,2) using fasteners (7,8). Make sure hole indentations in (1,2) face inward.



WARRANTY Buddy Products has a 2 year limited warranty against defects in workmanship and materials. Returns will be handled on a case by case basis.

Questions or Concerns? Feel free to call our customer service department at 800-886-8688. Business hours are 7:30am - 4:30pm CST or you can visit our web site at www.buddyproducts.com