



# T&S BRASS AND BRONZE WORKS, INC.

2 Saddleback Cove / P.O. Box 1088  
Travelers Rest, SC 29690

Model No.

**B-0300**

Item No.

Travelers Rest, SC: 800-476-4103 • Simi Valley, CA: 800-423-0150 • Fax: 864-834-3518 • www.tsbrass.com



**ADA Compliant**

This Space for Architect/Engineer Approval

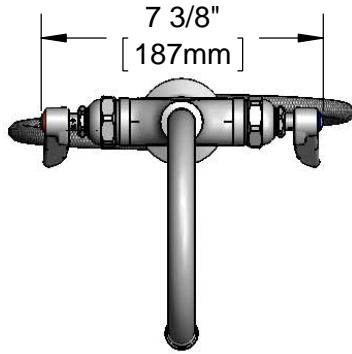
Job Name \_\_\_\_\_ Date \_\_\_\_\_

Model Specified \_\_\_\_\_ Quantity \_\_\_\_\_

Customer/Wholesaler \_\_\_\_\_

Contractor \_\_\_\_\_

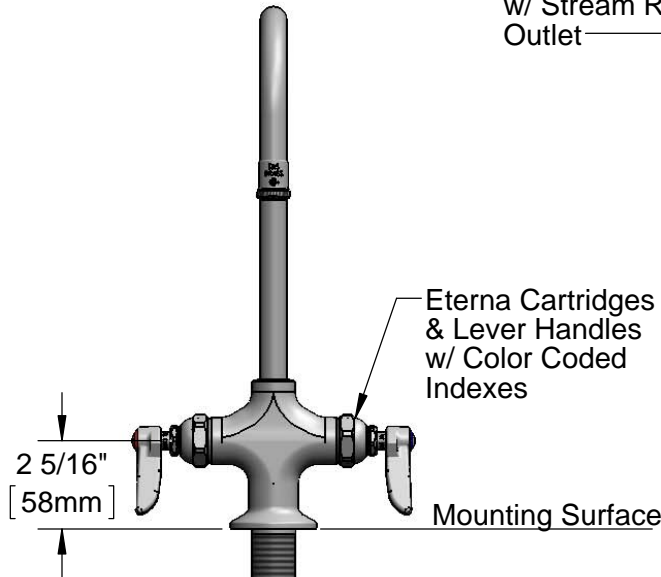
Architect/Engineer \_\_\_\_\_



7 3/8"  
[187mm]



120X  
5 1/2" Rigid Gooseneck  
w/ Stream Regulator  
Outlet



Eterna Cartridges  
& Lever Handles  
w/ Color Coded  
Indexes

2 5/16"  
[58mm]

Mounting Surface

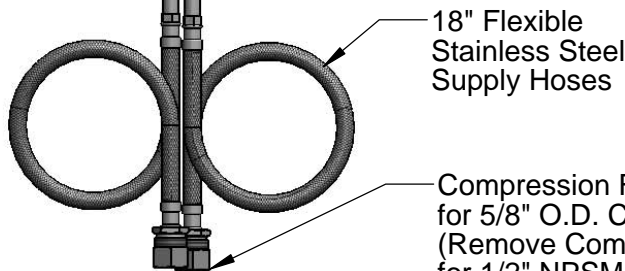


8 9/16"  
[218mm]

5 1/2"  
[140mm]

13 5/8"  
[346mm]

Ø 2 1/4" [57mm] Flange  
w/ Ø 1 1/8" [29mm] Shaft



18" Flexible  
Stainless Steel  
Supply Hoses

Compression Fittings  
for 5/8" O.D. Copper Tubing  
(Remove Compression Nut  
for 1/2" NPSM Male)

1 3/8"  
[35mm]  
Maximum  
Thickness

Rough-In Requirement:  
Ø 1 1/2" [38mm] Mounting Hole

**Product Specifications:**

Single Hole Deck Mount Mixing Faucet, Eterna Cartridges,  
Lever Handles, 5 1/2" Rigid Gooseneck & 18" Flexible Stainless Steel  
Supply Hoses w/ 1/2" NPSM Male Inlets

**Product Compliance:**

ASME A112.18.1 / CSA B125.1  
NSF 61 - Section 9  
NSF 372 (Low Lead Content)  
ANSI A117.1 (ADA)

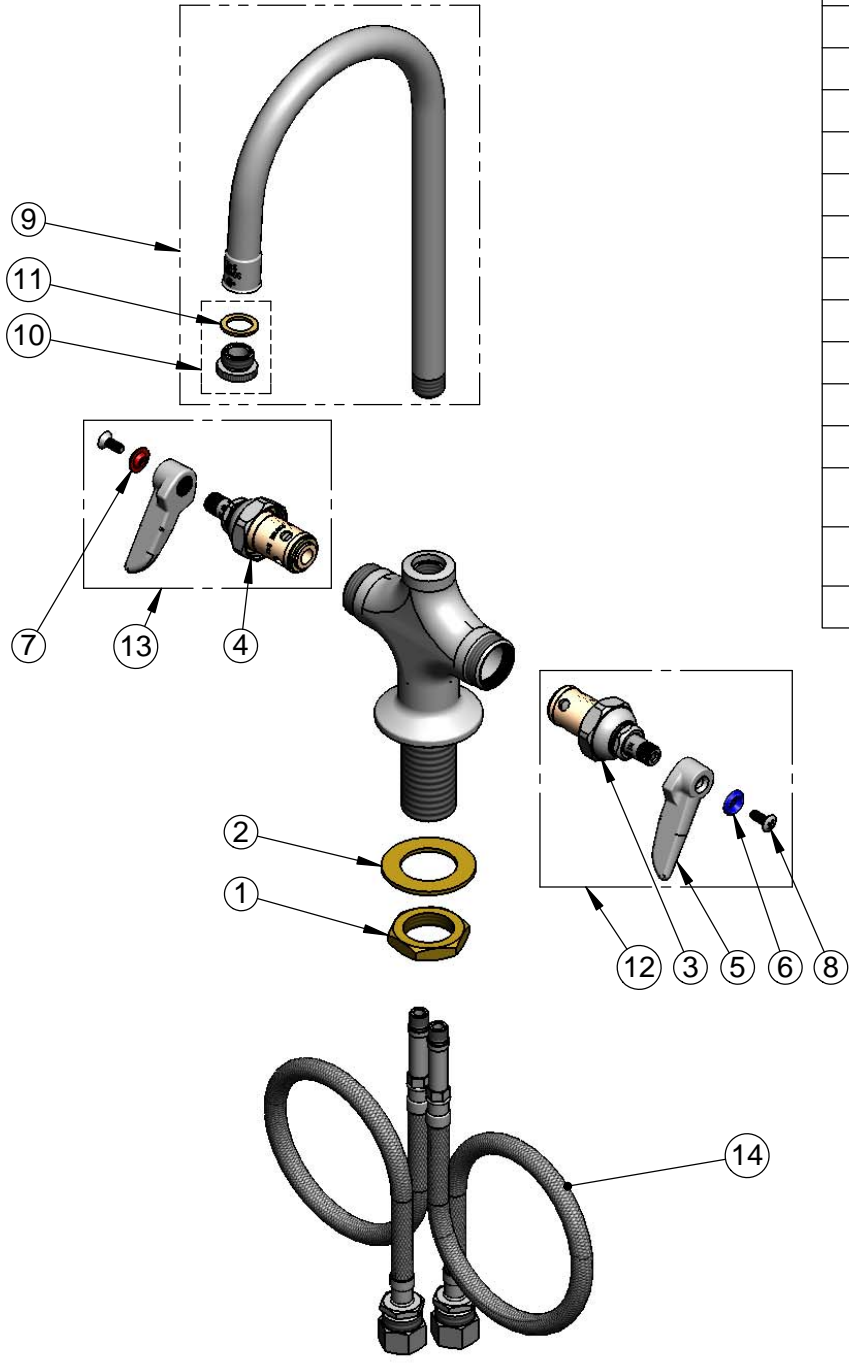


**T&S BRASS AND BRONZE WORKS, INC.**  
 2 Saddleback Cove / P.O. Box 1088  
 Travelers Rest, SC 29690

Model No.  
**B-0300**

Item No.

Travelers Rest, SC: 800-476-4103 • Simi Valley, CA: 800-423-0150 • Fax: 864-834-3518 • www.tsbrass.com



ITEM NO.	SALES NO.	DESCRIPTION
1	000965-45	Lock Nut
2	002290-45	Lock Washer
3	005959-40	Eterna Cartridge, LTC
4	005960-40	Eterna Cartridge, RTC
5	001638-45	Lever Handle
6	001660-45	Blue Index-CW
7	001661-45	Red Index-HW
8	000922-45	Lever Handle Screw
9	120X	5 1/2" Rigid Gooseneck
10	B-LT	Stream Regulator Outlet
11	001043-45	Washer
12	002713-40	Eterna Cartridge, LTC w/ Handle, Index & Screw
13	002714-40	Eterna Cartridge, RTC w/ Handle, Index & Screw
14	012436-45	18" Flexible Supply Hose (2)

**Product Specifications:**

Single Hole Deck Mount Mixing Faucet, Eterna Cartridges, Lever Handles, 5 1/2" Rigid Gooseneck & 18" Flexible Stainless Steel Supply Hoses w/ 1/2" NPSM Male Inlets

**Product Compliance:**

ASME A112.18.1 / CSA B125.1  
 NSF 61 - Section 9  
 NSF 372 (Low Lead Content)  
 ANSI A117.1 (ADA)