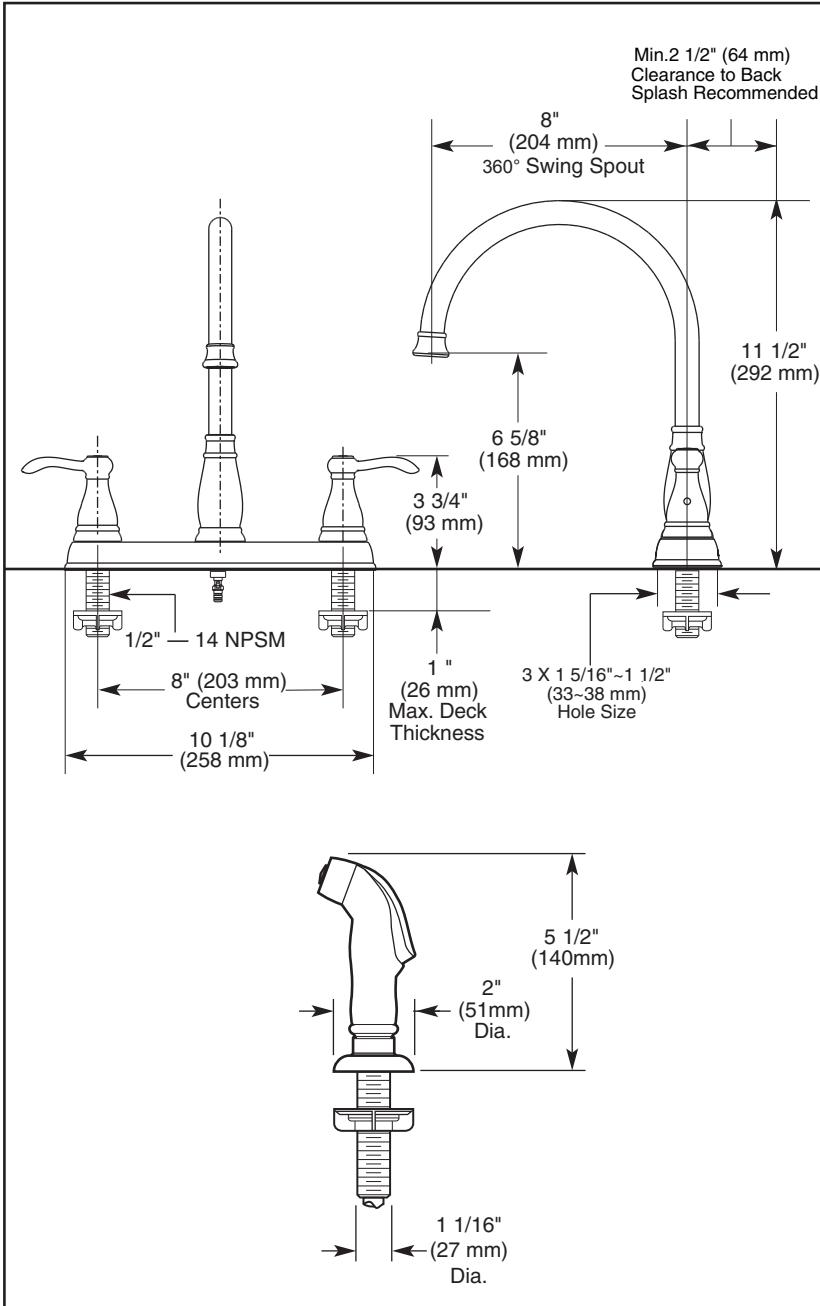


# KITCHEN FAUCET

- Two Handle Deck Mount
- 4 Hole Sink Application

Submitted Model No.: \_\_\_\_\_

Specific Features: \_\_\_\_\_



### STANDARD SPECIFICATIONS:

- Two handle kitchen faucet for exposed mounting on 4 hole sinks with 8" centers.
- 8" (204 mm) long, 11 1/2" (292 mm) high spout swings 360°.
- Hot and cold stems are interchangeable.
- Metal lever handle with 1/4 turn handle stops.
- Control mechanism shall be of the rotating cylinder type with stainless steel plate and with replaceable non-metallic seats.
- 1/2" -14 NPSM threaded male inlet shanks.
- Min 2 1/2"(64mm) clearance to back splash recommended.
- Max. 1.8 gpm @ 60 PSI, 6.8 L/min @ 414 kPa

### WARRANTY

- Lifetime limited warranty on parts (other than electronic parts and batteries) and finishes; or, for commercial users, for 5 years from date of purchase.
- 5 year limited warranty on electronic parts (other than batteries); or, for commercial users, for 1 year from the date of purchase. No warranty is provided on batteries.

### COMPLIES WITH:

- ASME A112.18.1 / CSA B125.1
- ♿ Indicates compliance to ICC/ANSI A117.1

Verified compliant with 0.25% weighted average Pb content regulations.

▲ Designate proper finish suffix

Delta reserves the right (1) to make changes in specifications and materials, and (2) to change or discontinue models, both without notice or obligation. Dimensions are for reference only. See current full-line price book or [www.deltafaucet.com](http://www.deltafaucet.com) for finish options and product availability.

DSP-K-21984LF Rev. C



55 E 111th Street, Indianapolis, Indiana 46280  
 350 South Edgeware Road, St. Thomas, ON N5P 4L1  
 © 2015 Masco Corporation of Indiana