

## FAN HEATER

FOR BATHROOMS – ASOA SERIES

### MAKE YOUR BATHROOM AN OASIS OF PEACE AND TRANQUILITY

The OASIS™ bathroom fan heater will provide you with the comfort you deserve while remaining discrete and quiet. It features a highly accurate electronic thermostat and an optimum heat output, which allow you to easily and rapidly control the comfort of your rooms. Also offered without a thermostat, it's the perfect little device to heat small rooms like a vestibule or hallway. In addition, its refined look and its high-performance polymer finish blend in with any decor.

# OASIS™



#### **IDEAL FOR:**

BATHROOMS, ENTRANCES, VESTIBULES, HALLWAYS,  
LIVING SPACES

#### **QUIET FAN HEATER**

#### **"HEAT BOOST" MODE**

FAST TEMPERATURE INCREASE (1000 W TO 2000 W)<sup>†</sup>

#### **FEATURING HIGH PERFORMANCE POLYMER AND SATIN-FINISH PAINTED STEEL**

#### **FAST AND EASY INSTALLATION**

#### **COLOR**

white

#### **FINISH**

epoxy-polyester powdercoat

#### **MANUFACTURING**

- high performance polymer cabinet and front edges, 20-gauge satin-finish steel front
- centrifugal fan ensuring a quiet and efficient airflow
- thermal protection with automatic reset
- additional thermal protection with a thermal fuse (must be replaced after shutdown)
- top front air intake and bottom front air discharge

#### **ELEMENT**

high-quality nichrome element producing instant heat

#### **CONTROL**

MODEL WITH BUILT-IN THERMOSTAT:

- built-in thermostat ensuring 1000 W of forced-air heat
- smart optimum heat output
  - programmable to the desired maximum temperature
  - built-in timer (0-10-20-30-60 min.)
  - rapid forced-air heat (2000 W)
  - automatic heat boost (2000 W) if there's a temperature difference of 7 °F or more between the ambient and setpoint temperature

MODEL WITHOUT THERMOSTAT:

- an electronic wall thermostat is recommended

#### **INSTALLATION**

- recessed or surface mounted – surface adapter not required
- on the wall with a minimum of 6 in. from the floor
- easy installation of the front with only one mounting screw
- choice of 2000 W or 1000 W with a power switch upon installation (model without thermostat only).



\*STELPRO reserves the right to modify descriptions, manufacturing specifications or prices without prior notice. Returns are not accepted for orders of products with optional colours. For all the latest models and updated prices, please refer to our web site at [www.stelpro.com](http://www.stelpro.com). \* Three years on electronic components.

<sup>†</sup> 9°F temperature rise within 5 minutes. (Tests performed with the 2000 W model in a 70 ft<sup>2</sup> room).



## TECHNICAL SPECIFICATIONS

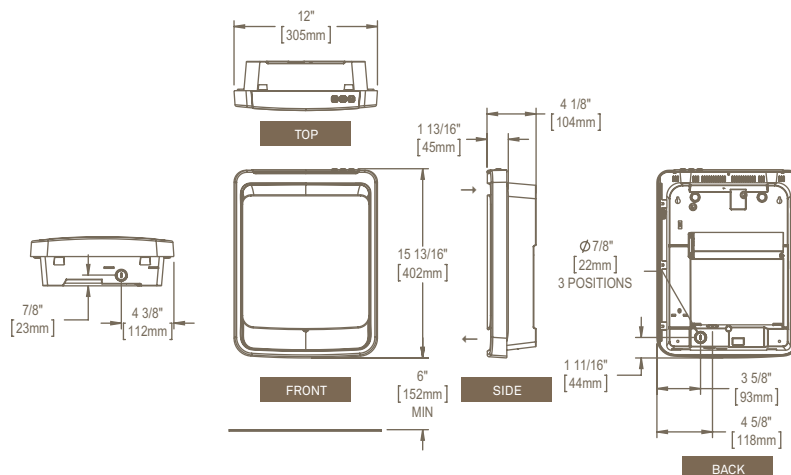
PRODUCT	THERMOSTAT HEATING	TIMER HEATING	WITHOUT THERMOSTAT	VOLTAGE	HEIGHT	LENGTH	WEIGHT
CODE	WATTS	WATTS	WATTS	VOLTS	IN.	IN.	LB
ASOA1501W	1000	1500	---	120	15 13/16	12	7.9
ASOA1501WCW	---	---	1000	120	15 13/16	12	7.9
ASOA2002W	1000/750	2000/1500	---	240/208	15 13/16	12	7.9
ASOA2002WCW	---	---	2000/1500 or 1000/750*	240/208	15 13/16	12	7.9

\* Selected when installed with a power switch.

### MODEL WITH 120 V PLUG (RESIDENTIAL OUTLET)

BUILT-IN THERMOSTAT	THERMOSTAT HEATING	TIMER HEATING	VOLTAGE	HEIGHT	LENGTH	WEIGHT
CODE	WATTS	WATTS	VOLTS	IN.	IN.	LB
ASOA1501PW	1000	1500	120	15 13/16	12	7.9

## TECHNICAL DRAWINGS



\*STELPRO reserves the right to modify descriptions, manufacturing specifications or prices without prior notice. Returns are not accepted for orders of products with optional colours. For all the latest models and updated prices, please refer to our web site at [www.stelpro.com](http://www.stelpro.com).