

Oster[®]

User's Manual

1.6 cu. ft. Countertop Microwave



**Model: OGYZ1604VS
OGCMYZ16S2BSV-11**

TABLE OF CONTENTS

IMPORTANT SAFETY INSTRUCTIONS.....	2
PRECAUTIONS TO AVOID POSSIBLE EXPOSURE TO EXCESSIVE MICROWAVE ENERGY	3
INSTALLATION GUIDE	4
GROUNDING INSTRUCTIONS	4
INSTALLING THE TURNTABLE.....	5
PRODUCT DIAGRAM	5
CONTROL PANEL.....	6
OPERATION INSTRUCTIONS.....	7
ABOUT THE SENSOR FEATURES.....	12
SENSOR COOK SETTINGS.....	12
COOKING UTENSILS GUIDE.....	14
CLEANING AND CARE	15
SPECIFICATIONS	15

IMPORTANT SAFETY INSTRUCTIONS

READ ALL SAFETY INSTRUCTIONS BEFORE USING THIS MICROWAVE

WARNING - to reduce the risk of burns, electric shock, fire, injury to persons, or exposure to excessive microwave energy, basic safety precautions should be followed, including the following:

1. Read all instructions before using the microwave.
2. Read and follow the specific "PRECAUTIONS TO AVOID POSSIBLE EXPOSURE OR EXCESSIVE MICROWAVE ENERGY" on page 3.
3. This microwave must be grounded. Connect only to properly grounded outlets. See page 4 for grounding instructions.
4. Install or place this microwave only in accordance with installation instructions.
5. Some produce such as whole eggs and sealed containers - for example, closed glass jars - are able to explode and should not be heated in this oven.
6. This microwave is intended for use only as described in this manual. Do not use corrosive chemicals or vapors in this microwave. This type of microwave is specifically designed to heat, cook, or dry foods. It is not designed for laboratory use.
7. As with any appliance, close supervision is necessary when used by children.
8. To reduce the risk of fire in the oven cavity:
 - Do not overcook food. Carefully attend to the microwave when paper, plastic, or other combustible materials are placed inside the microwave to facilitate cooking.
 - Remove wire twist-ties from paper or plastic bags before placing in microwave.
 - If materials inside the microwave should ignite, keep microwave door closed, turn it off, and disconnect the power cord or turn off the power fuse at the circuit breaker panel.
 - Do not use the microwave cavity for storage purposes. Do not leave paper products, cooking utensils, or food in the cavity when not in use.
9. Liquids, such as water, coffee, or tea, may overheat beyond the boiling point without appearing to be boiling due to surface tension of the liquid. Visible bubbling or boiling when the container is removed from the microwave is not always present. **THIS COULD RESULT IN VERY HOT LIQUIDS SUDDENLY BOILING OVER WHEN A SPOON OR OTHER UTENSIL IS INSERTED INTO THE LIQUID.** To reduce the risk of injury:
 - Do not overheat the liquid;
 - Stir the liquid both before and halfway through heating;
 - Do not use straight-sided containers with narrow necks;
 - After heating, allow the container to stand in the microwave a short time before removing;
 - Use extreme care when inserting a spoon or other utensil into the container.
10. Do not heat oil or fat for deep frying in this microwave. It is difficult to control the temperature of oil in the microwave.
11. Pierce foods with heavy skins, such as potatoes, before cooking.
12. The contents of feeding bottles and baby jars should be stirred or shaken and the temperature should be checked before serving to avoid burns.
13. Cooking utensils may become hot from heat transferred from the heated food. Pot holders may be needed to handle these utensils.
14. Do not cover or block any openings on the microwave.
15. Do not store or use this microwave outdoors. Do not use this microwave near water, for example, near a kitchen sink, in a wet basement, near a swimming pool, or similar location.
16. Do not operate this microwave if it has a damaged cord or plug, if it is not working properly, or if it has been damaged or dropped.

IMPORTANT SAFETY INSTRUCTIONS (continued)

17. Do not immerse the cord or plug in water. Keep cord away from heated surfaces. Do not let the cord hang over the edge of the table or counter.
18. Use only thermometers specifically designed for microwaves.
19. Do not operate any heating or cooking under this microwave.
20. Be certain the glass tray and roller rings are in place when using the microwave.
21. When cleaning microwave surface and door, use only mild, nonabrasive soaps or detergents applied with a sponge or soft cloth.
22. This equipment generates, uses and can radiate radio frequency energy and, if not installed and used in accordance with the instructions, may cause harmful interference to radio communications. However, there is no guarantee that interference will not occur in a particular installation. If this equipment does cause harmful interference to radio or television reception, which can be determined by turning the equipment off and on, the user is encouraged to try to correct the interference by one or more of the following measures:
 - Reorient or relocate the receiving antenna.
 - Increase the separation between the equipment and receiver.
 - Connect the equipment into an outlet on a circuit different from that to which the receiver is connected.
 - Consult the dealer or an experienced radio/TV technician for help.
23. This microwave should be serviced only by qualified service personnel. For service and repair, please contact our Customer Support Center at 1-800-324-0340.

PRECAUTIONS TO AVOID POSSIBLE EXPOSURE TO EXCESSIVE MICROWAVE ENERGY

1. Do not attempt to operate this microwave with the door open. Door open operation can result in harmful exposure to microwave energy. It is important not to defeat or tamper with the door interlocks.
2. Do not place any objects between the microwave front face and the door, or allow soil or cleaner residue to accumulate on sealing surfaces.
3. Do not operate the microwave if damaged. It is particularly important that the microwave door be properly closed and there is no damage to the door (bent), hinges and latches (broken or loosened), or door seals and sealing surfaces.
4. The microwave should not be adjusted or repaired by anyone except properly qualified service personnel.

SAVE THESE INSTRUCTIONS

INSTALLATION GUIDE

1. Make sure all packing materials are removed from inside the microwave door.
2. Check the microwave for damage, such as misaligned or bent door, damaged door seals and sealing surface, broken or loose door hinges and latches, and dents inside the cavity or on the door. If there are any damages, do not operate the microwave and contact Customer Service at 1-800-324-0340.
3. This microwave must be placed on a flat, stable surface to hold its weight and the heaviest food likely to be cooked inside.
4. Do not place the oven where heat, moisture, or high humidity is generated. Do not place microwave near combustible materials.
5. For correct operation, the oven must have sufficient air flow. Allow 8" of space above the microwave, 4" at the back, and 2" on each side of the unit.
6. Do not cover or block any openings on the microwave. Do not remove microwave feet. Do not operate the oven without the glass tray, roller support, and shaft in their proper positions. Make sure the power supply cord is undamaged and does not run under the microwave or over any hot or sharp surface.
7. The socket must be readily accessible so the microwave can be easily unplugged in an emergency.

GROUNDING INSTRUCTIONS

This microwave must be grounded. In the event of an electrical short circuit, grounding reduces risk of electric shock by providing an escape wire for the electric current. Consult a qualified electrician or serviceman if the grounding instructions are not completely understood, or if doubt exists as to whether the appliance is properly grounded, and either: 1) If it is necessary to use an extension cord, use only a 3-wire extension cord that has a 3-blade grounded plug, and 3-slot receptacle that will accept the plug on the appliance. The marked rating of the extension cord shall be equal to or greater than the electrical rating of the appliance, or 2) Do not use an extension cord. If the power supply cord is too short, have a qualified electrician or service man install an outlet near the appliance. For questions regarding the grounding instructions, please contact our Customer Support Center at 1-800-324-0340.

WARNING: Improper use of the grounding plug can result in risk of electric shock.

ELECTRICAL REQUIREMENTS

The electrical requirements for this microwave are a 120V, 60Hz, AC only, 20 amp.

It is recommended that a separate circuit serving only the microwave be provided.

The microwave is equipped with a 3-prong grounding plug. It must be plugged into a wall outlet properly installed and grounded.

POWER CORD

- A short power supply cord is provided to reduce the risks resulting from becoming entangled in or tripping over a long cord.
- Longer cord sets or extension cords are available and may be used if care is taken in using them.
- If using a longer cord, the marked electrical rating of the cord set or extension cord should be at least as great as the electrical marking of the microwave itself and the extension cord must be a grounded-type 3-wire cord. The longer cord should be arranged so it will not drape over the counter or tabletop.

GROUNDING INSTRUCTIONS (continued)

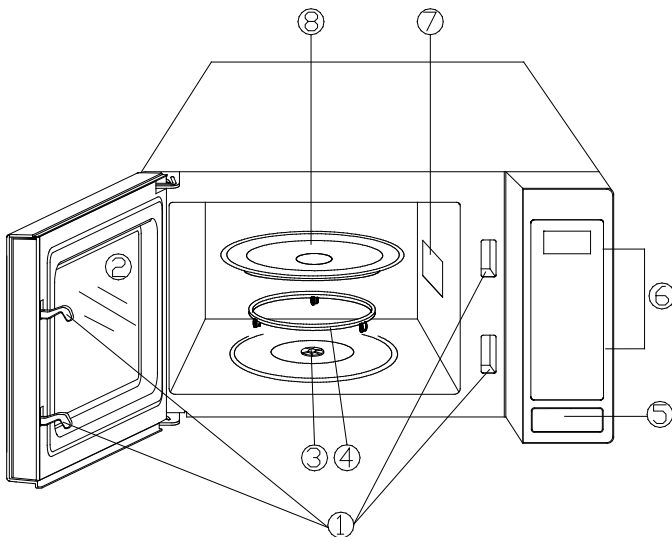
RADIO OR TV INTERFERENCE

- Should there be any interference caused by the microwave oven to your radio or TV, check that the microwave oven is on a different circuit, relocate the radio or TV as far away from the oven as feasible, and check position and signal of receiving antenna.

INSTALLING THE TURNTABLE

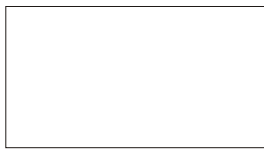
- Never place the glass tray upside down.
- The glass tray should never be restricted.
- Both the glass tray and turntable ring assembly must always be used during cooking.
- All food and containers of food should always be placed on the glass tray for cooking.
- If the glass tray or turntable ring assembly cracks or breaks, contact 1-800-324-0340.

PRODUCT DIAGRAM



1. Door Lock System
2. Oven Window
3. Shaft
4. Roller Ring
5. Door Release Button
6. Control Panel
7. Wave Guide (Do not remove)
8. Glass Tray

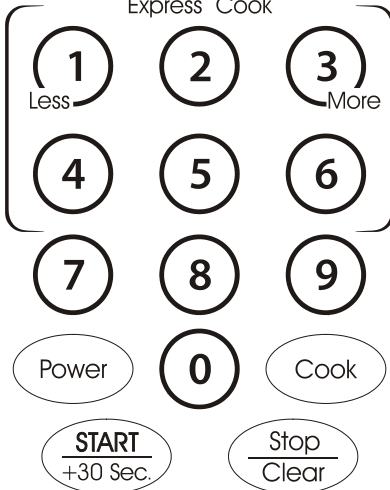
CONTROL PANEL



Sensor advantage



Express Cook



- **DISPLAY**
Cooking time, power, indicators and present time are displayed.
- **SENSOR ADVANTAGE**
Allows you to reheat or cook food automatically without entering power level or time.
- **MELT**
Low power is used to melt foods.
- **SOFTEN**
Low power is used to soften foods.
- **WARM**
This feature is used to keep food warm.
- **WEIGHT DEFROST**
Programmed defrosting based on the weight of the foods to be defrosted.
- **TIME DEFROST**
Use to quickly defrost foods.
- **CLOCK/TIMER**
The kitchen timer function can be used even in the process of cooking to set the oven clock. Clock is used to set current time.
- **NUMBER PADS (0-9)**
Touch to set time, weight or the amount.
- **POWER**
Use to set microwave power levels.
- **COOK**
Use for multi-stage cooking. It enables cooking at multiple power and time settings automatically.
- **START/+30 SEC.**
Touch to start a cooking program or use +30 Sec. to program the oven to microwave food at 100% power-; or touch it to add 30 seconds during cooking program.
- **STOP/CLEAR**
Touch to stop or clear all previous settings before cooking.

OPERATION INSTRUCTIONS

SETTING THE CLOCK

1. Touch CLOCK/TIMER once to select the 12 hour clock. Touch CLOCK/TIMER again to select the 24 hour clock.
2. Enter the correct time by touching the number pads.
3. Touch CLOCK/TIMER again.

NOTE:

This is a 12 or 24 hour clock. You can check the clock time while cooking is in progress by touching CLOCK/TIMER.

SETTING THE TIMER

1. Touch CLOCK/TIMER once.
2. Enter the correct time by touching the number pads (the maximum time is 99:99).
3. Touch START/+30 Sec..

NOTES:

- You can check the timer during the timing process for 5 seconds by touching CLOCK/TIMER.
- Touch STOP/CLEAR in the 5 seconds to cancel TIMER during timing process.
- This function is just for time countdown but will not start the microwave heating program.

SETTING A COOKING PROGRAM

A. One-stage Cooking

1. The default setting is 100% microwave power output. If you want to set a power level other than 100%, Touch POWER repeatedly to select the power level.
2. Use the number pads to set a cooking time. You can set a cooking time from one second to 99 minutes and 99 seconds.
3. Touch START/+30 Sec. to start cooking.

NOTE:

- During cooking, you can check the power by touching POWER.

Touch POWER pad	Cooking power	Touch POWER pad	Cooking power
Once	100%	6 times	50%
Twice	90%	7 times	40%
3 times	80%	8 times	30%
4 times	70%	9 times	20%
5 times	60%	10 times	10%

OPERATION INSTRUCTIONS (continued)

B. Multi-stage Cooking

Some recipes require different stages of cooking at different temperatures.

1. SET STAGE 1:
Follow steps 1 and 2 in "One-stage Cooking". DO NOT TOUCH START/+30 Sec..
2. SET STAGE 2:
Touch COOK then enter proper cooking time and (lower) power level.
3. SET STAGE 3:
Touch COOK then enter proper cooking time and (lower) power level.
4. Touch START/+30 Sec..

NOTES:

- After stage 1 time has elapsed, one signal sounds, signaling the beginning of stage 2.
- After total time elapsed, the system will sound beeps with END in display. The beeps will continue to sound every two minutes automatically until the door is opened or any pad is touched.
- TIME DEFROST function must be set in the first stage cooking program. WEIGHT DEFROST, SENSOR COOK and EXPRESS COOK cannot be set in multi-stage cooking.

MELT

1. Touch STOP/CLEAR to reset the oven.
2. Touch MELT repeatedly to select the desired food types (butter, chocolate & cheese).
3. Enter the weight of the food by touching the number pad.
4. Touch START/+30 Sec..

Select food type and enter the weight:

Food Type	Touch MELT Pad	Enter Number Pad	Weight
Butter	Once	1	4 oz.
		2	8 oz.
		3	12 oz.
Chocolate	Twice	1	4 oz.
		2	8 oz.
Cheese	Three Times	1	8 oz.
		2	16 oz.

SOFTEN

1. Touch STOP/CLEAR to reset the oven.
2. Touch SOFTEN repeatedly to select the desired food types (butter, ice cream, cream cheese & brown sugar).
3. Enter the weight of the food by touching the number pad.
4. Touch START/+30 Sec..

OPERATION INSTRUCTIONS (continued)

Select food type and enter the weight:

Food Type	Touch SOFTEN Pad	Enter Number Pad	Weight
Butter	Once	1	4 oz.
		2	8 oz.
		3	12 oz.
Ice Cream	Twice	1	4 oz.
		2	8 oz.
		3	16 oz.
Cream Cheese	Three Times	1	4 oz.
		2	8 oz.
Brown Sugar	Four Times	1	4 oz.
		2	8 oz.

WARM

1. Touch WARM.
2. Enter the correct time by touching the number pads. The maximum time is 99 minutes and 99 seconds.
3. Touch START/+30 Sec..

TIME DEFROST

1. Touch TIME DEFROST.
2. Enter desired defrosting time by touching correct number pads (up to 99 minutes and 99 seconds).
3. Touch START/+30 Sec..

NOTES:

- After setting TIME DEFROST, oven can be programmed to automatically switch to one or multi-stage cooking.
- For time defrost and one stage cooking, follow steps above. Before touching START/+30 Sec., touch COOK, enter time and power level and then touch START/+30 Sec..
- For time defrost and multi-stage cooking, follow steps above. Before touching START/+30 Sec., enter multi-stage cooking programs.
- During defrosting, the system will pause automatically and sound to remind user to turn food over, after that, touch START/+30 Sec. to resume.
- After total time elapsed, the system will sound beeps with END in display. The beeps will continue to sound every two minutes automatically until the door is opened or any pad is touched.

+30 SECONDS

Use this feature to program the oven to microwave food at 100% power conveniently.

OPERATION INSTRUCTIONS (continued)

1. Touch START/+30 Sec. in quick succession to set the cooking time (each touch for 30 seconds, and up to 99 minutes and 99 seconds). The oven will start automatically with full power level.
2. +30 SEC. allows you to add an extra minute to the current cooking cycle at the current cooking program. You can also use it to extend cooking time in multiples of 30 seconds, up to 99 minutes and 99 seconds.

NOTE:

- This function is just used in express cook and microwave cooking program. You can extend cooking time in multiples of 30 seconds, touch START/+30 Sec. repeatedly during microwave cooking.

WEIGHT DEFROST

1. Touch STOP/CLEAR to reset the oven.
2. Touch WEIGHT DEFROST repeatedly to choose the food types.
3. Touch the number pad to enter food weight.
4. Touch START/+30 Sec..

Weight defrost code description:

Food Type	Touch WEIGHT DEFROST pad	Min. Weight	Max. Weight
Meat	Once	1 oz.	5 lbs.16 oz.
Poultry	Twice	1 oz.	4 lbs.
Seafood	Three times	1 oz.	2 lbs.

NOTES:

- Weight must be in pounds and ounces. Ounce weights less than 10 must be preceded by a 0. If label gives weight in pounds only, change the fraction of a pound to ounces using the chart given below.

Converting Fractions of a Pound to Ounces:

Fractions of a pound	Ounces	Fractions of a pound	Ounces
Less than .03	0	.54 to .59	9
.03 to .09	1	.60 to .65	10
.10 to .15	2	.66 to .71	11
.16 to .21	3	.72 to .78	12
.22 to .27	4	.79 to .84	13
.28 to .34	5	.85 to .90	14
.35 to .40	6	.91 to .97	15
.41 to .46	7	above .97	go to next even
.47 to .53	8		

- During defrosting, the system will pause automatically and sound to remind user to turn food over, after that, touch START/+30 Sec. to resume.
- After total time elapsed, the system will sound beeps with END in display. The beeps will continue to sound every two minutes automatically until the door is opened or any pad is touched.

OPERATION INSTRUCTIONS (continued)

EXPRESS COOK

Program can be started immediately at full power level after touching the number pad from 1-6.

Suppose you want to set quick cook for 6 minutes.

1. Touch number pad 6.
2. 6:00 can be seen on display.
3. The program starts automatically.

Touch number pad	Time
1	1 Minute
2	2 Minutes
3	3 Minutes
4	4 Minutes
5	5 Minutes
6	6 Minutes

SETTING CHILD LOCK

The door lock prevents unsupervised operation by children.

To set, touch and hold STOP/CLEAR for 3 seconds. LOCK is indicated on the display.

To cancel, touch and hold STOP/CLEAR for 3 seconds. LOCK indication disappears.

ABOUT THE SENSOR FEATURES

HUMIDITY SENSOR

The sensor features detect the increasing humidity released during cooking. The oven automatically adjusts the cooking time to various types and amounts of food. To ensure the best results with sensor cook, follow below recommendations:

- Ensure the glass tray, the outside of the cooking containers and the inside of the microwave oven are dry before placing food in the oven. Residual beads of moisture turning into steam can mislead the sensor.
- Cover food with lid, or with vented plastic wrap. Never use tightly sealed plastic containers. They can prevent steam from escaping and cause food to overcook.
- During cooking process, do not open the oven door. Doing so will cause inaccurate cooking since the steam from food is no longer contained within the oven cavity.
- All foods should have a rest time.
- Do not use the sensor feature twice in succession on the same food portion, this could result in severely overcooked food. If food is undercooked after the countdown, use time cooking for additional cooking time.

NOTES:

- During cooking process, you may touch the 3/MORE or 1/LESS to extend or shorten the cooking time (each touch for 5 seconds). The longest time you can extend or shorten is 30:00.
- If you open the oven door or touch STOP/CLEAR during cooking, the system returns to standby mode immediately.
- Do not use the sensor feature twice in succession on the same food portion, this could result in severely overcooked or burnt food. If food is undercooked after the countdown, use time cooking for additional cooking time.

SENSOR COOK SETTINGS

POPCORN

1. Touch POPCORN once.
2. POPCORN automatically sets the cooking time for a 3.5 ounce bag of microwave popcorn.
3. When the released steam is detected by the oven, the remaining cooking time will appear in the display.

POTATO

Touch POTATO once, the oven will start automatically. When the released steam is detected by the oven, the remaining cooking time will appear in the display.

FROZEN ENTREE

Touch FROZEN ENTREE once, the oven will start automatically. When the released steam is detected by the oven, the remaining cooking time will appear in the display.

SENSOR COOK SETTINGS (continued)

BEVERAGE

Touch BEVERAGE repeatedly to choose the number of cups for beverage, then the oven will start automatically. the remaining cooking time will appear in the display.

PIZZA

Touch PIZZA once, the oven will start automatically. When the released steam is detected by the oven, the remaining cooking time will appear in the display.

FISH

Touch FISH once, the oven will start automatically. When the released steam is detected by the oven, the remaining cooking time will appear in the display.

REHEAT

Touch REHEAT once, the oven will start automatically. When the released steam is detected by the oven, the remaining cooking time will appear in the display.

FROZEN VEG.

Touch FROZEN VEG. once, the oven will start automatically. When the released steam is detected by the oven, the remaining cooking time will appear in the display.

FRESH VEG.

Touch FRESH VEG. once, the oven will start automatically. When the released steam is detected by the oven, the remaining cooking time will appear in the display.

Sensor Menu	Weight	Sensor Menu	Weight
Popcorn	3.5 oz.	Pizza	8-20 oz.
Potato	8-32 oz.	Fish	8-20 oz.
Frozen Entree	8-24 oz.	Reheat	8-30 oz.
Beverage	1 cup (7 oz./cup)	Frozen Veg.	8-24 oz.
	2 cups (7 oz./cup)	Fresh Veg.	8-24 oz.
	3 cups (7 oz./cup)		

COOKING UTENSILS GUIDE

This section lists which utensils can be used in the microwave, which ones have limited use for short periods, and which ones should not be used in the microwave.

RECOMMENDED

Microwave browning dish — Use to brown the exterior of small items such as steaks, chops, or pancakes. Follow the directions provided with your browning dish.

Microwaveable plastic wrap — Use to retain steam. Leave a small opening for some steam to escape and avoid placing it directly on the food.

Paper towels and napkins — Use for short-term heating and covering; these absorb excess moisture and prevent spattering. Do not use recycled paper towels, which may contain metal and could ignite.

Glass and glass-ceramic bowls and dishes — Use for heating or cooking.

Paper plates and cups — Use for short-term heating at low temperatures. Do not use recycled paper, which may contain metal and could ignite.

Wax paper — Use as a cover to prevent spattering.

Thermometers — Use only those labeled "Microwave Safe" and follow all directions. Check the food in several places. Conventional thermometers may be used on microwave food once the food has been removed from the oven.

LIMITED USE

Aluminum foil — Use narrow strips of foil to prevent overcooking of exposed areas. Using too much foil can damage your oven, so be careful. You should keep distance of 1 inch (2.54cm) between aluminum foil and cavity.

Ceramic, porcelain, and stoneware — Use these if they are labeled "Microwave Safe". If they are not labeled, test them to make sure they can be used safely.

Plastic — Use only if labeled "Microwave Safe". Other plastics can melt.

NOT RECOMMENDED

Glass jars and bottles — Regular glass is too thin to be used in a microwave. It can shatter and cause damage and injury.

Paper bags — These are a fire hazard, except for popcorn bags that are designed for microwave use.

Styrofoam plates and cups — These can melt and leave an unhealthy residue on food.

Plastic storage and food containers — Containers such as margarine tubs can melt in the microwave.

Metal utensils — These can damage your oven. Remove all metal before cooking.

NOTE: Should you wish to check if a dish is safe for microwaving, place the empty dish in the oven and microwave on HIGH for 30 seconds. A dish which becomes very hot should not be used.

CLEANING AND CARE

1. Turn off the microwave and unplug the power cord from the wall when cleaning.
2. Keep the inside of the microwave clean. When food splatters or spilled liquids adhere to microwave walls, wipe with a damp cloth. Mild detergents may be used if the microwave gets very dirty. Avoid using spray or other harsh cleaners. They may stain, streak, or dull the door surface.
3. The outside of the microwave should be cleaned with a damp cloth. To prevent damage to the operating parts inside the microwave, water should not be allowed to seep into the ventilation openings.
4. Wipe the window on both sides with a damp cloth to remove any spills or splatters.
5. Do not allow the control panel to become wet. Clean with a soft, damp cloth. When cleaning the panel, leave the microwave door open to prevent it from accidentally turning on.
6. If steam accumulates inside or around the outside of the door, wipe with a soft cloth. This may occur when the microwave is operated under high humidity. This is normal.
7. It may be necessary to remove the glass tray for cleaning. Wash the tray in warm, soapy water or in a dishwasher. The roller ring and microwave floor should be cleaned regularly to avoid excessive noise. Wipe the bottom surface of the microwave with a mild detergent.
8. The roller ring may be washed in mild, soapy water or in a dishwasher. When removing the roller ring, be sure to replace it in the proper position.
9. Remove odors from your microwave by combining a cup of water with the juice and skin of one lemon in a microwaveable bowl. Microwave for 5 minutes. Wipe thoroughly and dry with a soft cloth.
10. If the light bulb burns out, please contact customer service to have it replaced.
11. The microwave should be cleaned regularly and any food deposits should be removed. Failure to maintain the microwave in a clean condition could lead to deterioration of surfaces that could adversely affect the life of the unit and could possibly result in a hazardous situation.
12. Please do not dispose of this appliance into a regular garbage receptacle. Please check to see where you can dispose such appliances.

SPECIFICATIONS

Power Consumption	120V, 60Hz, 1600W
Output	1100W
Operation Frequency	2450MHz
Outside Dimensions (H×W×D)	12 1/4 × 21 3/4 × 18 9/16 inches
Oven Cavity Dimensions (H×W×D)	9 13/16 × 15 3/4 × 17 inches
Oven Capacity	1.6 cu. ft.
Cooking Uniformity	Turntable System
Net Weight	Approx. 29.1 lbs.



© 2018 Sunbeam Products, Inc. doing business as Jarden Consumer Solutions. All rights reserved.

Oster® logo is a registered trademark of Sunbeam Products, Inc. used under license.

Distributed by Guangdong Galanz Microwave Electrical Appliances Manufacturing Co., Ltd.,

Huangpu, Zhongshan, Guangdong, 528429, China.

For service, support and warranty information, call 1-800-324-0340.