

Replacement/Installation Instructions

Item #1001-098-860
Model #EBFSWPB



Float Switch

EVERBILT



Choose from one of the two installation methods provided in this document.

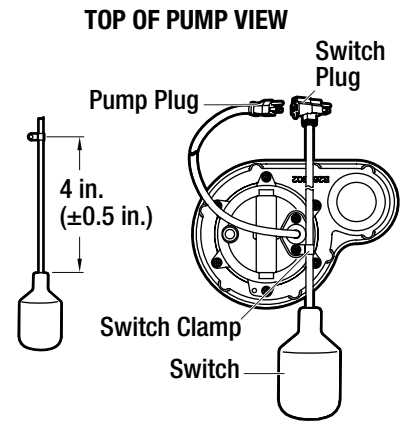
Installation for Pump with Existing Piggyback Float Switch

1 REMOVING THE OLD SWITCH

- Unplug the switch from the power outlet.
- Remove the pump from the pit.
- Make a mark of the old switch orientation with respect to the pump.
- Unplug the power cord from the piggyback switch.
- Unscrew the screw from the switch clamp.
- Remove the old switch and clamp from the pump. Keep the old clamp and screw for next step use.

2 INSTALLING THE NEW SWITCH

- Check the distance between the float and clamp and adjust the distance to 4 in. (± 0.5 in.).
- Screw the clamp and switch onto the pump.
- Plug the power cord into the piggyback switch.
- Place the pump into the pit.
- Secure the pump.
- Plug the switch (with pump plug connected) into the power outlet.
- Check the pump by filling the pit with water and observe the pump's operation through one complete cycle. Make sure the pump cannot move in the pit and float switch moves freely up and down.

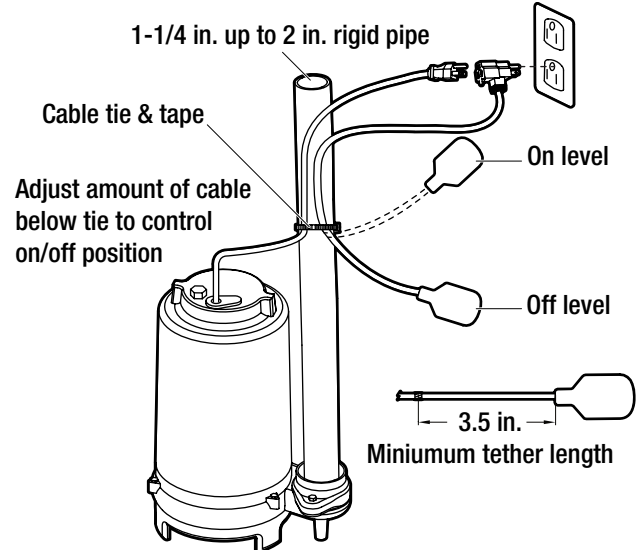


Standard Installation

1 INSTALLING THE FLOAT SWITCH

If you do not have the old clamp or it is damaged, use the included cable tie or electrical tape to secure the new float switch to the pipe.

- Attach the cord to the discharge pipe or a convenient rigid surface. Do not tighten the cable tie until the turn "ON" and turn "OFF" levels are established. For added security, tape cords to the discharge pipe as well, as the cable tie could possibly slip.
- To increase the pump down level, increase the tether length (length between the float switch and cable tie).
- Ensure the float is at least 2 in. above the pump base in the turn "OFF" position. Make sure the cable tie tether point is securely tightened.
- Ensure the switch has ample clearance in the sump for operation of the switch. The float switch needs a minimum 16 in. width basin or pit to operate freely.
- Plug the pump power cord in the piggyback switch plug. Then plug the piggyback switch cord into the grounded outlet.
- Check the pump by filling the pit with water and observe the pump's operation through one complete cycle. Ensure the pump cannot move in the pit and the float switch moves freely up and down. Make certain the cords are not interfering with the float ball, as this could cause the pump to not turn on or off properly.



Safety Information

Failure to follow these precautions could result in serious injury or death. Replace product immediately if switch cable becomes damaged or severed. Keep these instructions with warranty after installation. This product must be installed in accordance with National Electric Code, ANSI/NFPA 70 so as to prevent moisture from entering or accumulating within boxes, conduit bodies, fittings, float housing, or cable.

Do not handle pump or vertical switch with wet hands or when standing on wet or damp surface, or in water.



WARNING: EXPLOSION OR FIRE HAZARD. Do not use this product with flammable liquids. Do not install in hazardous locations as defined by National Electrical Code, ANSI/NFPA 70.



WARNING: ELECTRICAL SHOCK HAZARD. Disconnect power before installing or servicing this product. A qualified service person must install and service this product according to applicable electrical and plumbing codes.