

FILE #E21609

# MODEL NO. PH4AB Portable Unit Heater

## Installation & Maintenance Instructions

Dear Owner,

Congratulations! Thank you for purchasing this new heater manufactured by Marley Engineered Products. You have made a wise investment selecting the highest quality product in the heating industry. Please carefully read the installation and maintenance directions shown in this manual. You should enjoy years of efficient heating comfort with this product from Marley Engineered Products... the industry's leader in design, manufacturing, quality and service.

... The Employees of  
Marley Engineered Products

### WARNING

**Read Carefully** - These instructions contain vital information for the proper installation, use and efficient operation of the heater. Carefully read these instructions before installation, operation, or cleaning of the heater. Failure to adhere to the instructions could result in fire, electric shock, serious personal injury, death or property damage. Save these instructions and review frequently for continuing safe operation and instruction future users.

1. Connect to properly grounded outlets only.
2. Check heater voltage and amperage on back of heater to make sure it agrees with the electric service supplied.
3. Ground fault circuit protection is required if heater is used in damp areas such as basements or garages. This is not suitable for use in wet or very humid locations.
4. Do not use outdoors.
5. Never locate heater where it may fall into a bathtub or other water container.
6. Do not insert or allow foreign objects to enter any ventilation or exhaust opening as this may cause an electric shock, fire, or damage the heater.
7. To prevent a possible fire, do not block air intakes or exhaust

in any manner. Do not use soft surfaces, like a bed, where openings may become blocked. Clean as often as necessary to prevent dust from clogging the grilles or element fins. Keep all electrical cords, drapes, paper, plastics and other combustibles away from heater.

8. Do not run cord under carpeting. Do not cover cord with throw rugs, runners, etc. To prevent entanglement or damage, route cord away from high traffic areas.
9. A heater has hot and arcing or sparking parts inside. Do not use it in areas where gasoline, paint, or flammable liquids are repaired by a reputable repair service.
10. If this heater or its power cord become damaged or malfunction in any way, unplug heater, discontinue use, and have unit repaired by a reputable repair service.
11. Do not operate heater without stand.
12. Do not use an extension cord with this heater. Do not cut off plug and wire heater directly.
13. When heater is to be wall or ceiling mounted, the anchoring provisions must be of sufficient strength to support the total weight of the heater plus the weight of the mounting provisions. Failure to properly secure the supporting members of the building structure could allow the heater to fall.

**SAVE THESE INSTRUCTIONS**

## GENERAL

Prior to operating heating, make sure the electrical outlet is of the configuration and capacity appropriate for the heater.

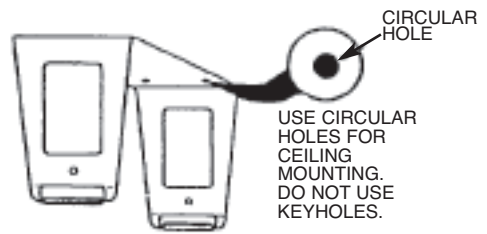
When heater is wall or ceiling mounting, provisions must be made to bundle or otherwise prevent excess power cord from draping loose.

In workshops, locate heater away from sources of wood dust.

### FLOOR APPLICATION

The heater, as received, is set up for floor mounting. Place the heater on floor or other flat surface and insert the plug into the proper wall outlet.

The heater can be adjusted to redirect the airstream. To do this, simply loosen the knob on either side of the heater, then pivot heater to desired position and re-tighten both knobs.



Replace the heater in the stand and tighten knobs to lock in place. Two large rubberwashers go between heater and stand, one on either side.

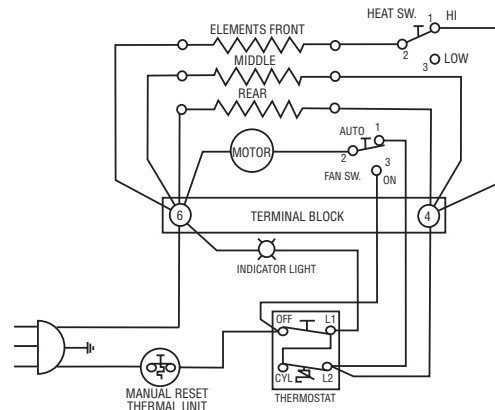
**REMEMBER:** The electrical outlet must be within reach of the six foot cord. Be sure to provide enough clearance to pivot heater and reach adjustment knobs.

### HEATER OPERATION

To operate the heater, first select either high or low position on the heat selector switch, then turn the thermostat knob as far as it will go in the clockwise direction. The indicator light will come on and remain on as long as the heater is in the operating mode. When the room temperature reaches the desired level, slowly turn the thermostat knob counterclockwise until the thermostat clicks. The heater off, turn thermostat knob as far as it will go in the counterclockwise direction until the indicator light is off.

The fan selector switch allows continuous or cycling fan operation by selecting either the "ON" or "Auto" position, respectively.

### CLEANING AND STORAGE



Turn thermostat off, then remove plug from electrical outlet before cleaning heater. Use a soft cloth for dusting. For cleaning use only a damp rag and nonabrasive dish detergent. Do not use abrasive or chemical cleaners as these may harm the finish.

If heater is used in a very dusty location, use a vacuum cleaner dust brush to remove dust and other foreign material from the grilles.

Always unplug cord and wrap around heater when not in use. Move floor mounted heaters to a safe location for storage.

### SERVICE

This heater does not require any routine maintenance other than occasional cleaning to prevent clogging of intake grille opening. To clean air intake grille, use vacuum with brush attachment or high pressure air. The motor is permanently lubricated.

Do not operate the heater with a damaged cord or plug or if the heater malfunctions or has been damaged in any manner. Return heater to authorized service facility for examination, electrical, or mechanical adjustment, or repair.

Call the toll-free number listed for assistance in locating the Marley authorized service center in your area.

## WARNING



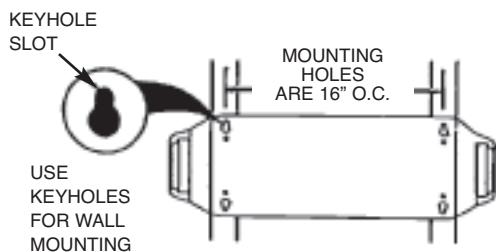
BE CAREFUL NOT TO DIRECT THE AIRSTREAM AT DRAPERIES, FURNITURE, OR OTHER OBJECTS THAT COULD BE DAMAGED BY HEAT. DO NOT USE HEATER ON FLOOR WITHOUT STAND IN PLACE. DO NOT USE THE HEATER WHERE A SMALL CHILD MAY FALL OVER THE HEATER. DO NOT PLACE THE HEATER WHERE THE POWER CORD MAY BE WALKED ON, TRIPPED OVER, OR OTHERWISE SUBJECTED TO HARD USAGE.

### WALL MOUNT

SEE WARNING NO. 13.

This heater may be mounted on any wall that will support the weight of the heater. First remove the mounting stand from the heater, then remove four rubber grommets from stand. Secure stand to structural members of wall with four 1/4" dia. X 1-1/2" long lag bolts (not provided). In masonry walls use metal expansion shields or toggle bolts. Never use bolts smaller 1/4" diameter.

Replace the heater in the stand and tighten knobs to lock in place. Two



large rubber washers go between heater and stand, one on either side.

**REMEMBER:** The electrical outlet must be within reach of the six foot cord. Be sure to provide enough clearance to pivot heater and reach adjustment knobs.

### CEILING MOUNT

This heater may be mounted to any ceiling that will support the weight of the heater.

First remove the mounting stand from the heater, then remove four rubber

## WARNING



TO PREVENT HEATER FROM POSSIBLY FALLING, DO NOT USE KEYHOLE SLOTS FOR CEILING MOUNT APPLICATION. SEE ALSO WARNING NO. 13.

grommets from stand. Secure stand to structural members of ceiling with four 1/4" diameter bolts (not provided). In wood joist use 1-1/2" long lag bolts. In steel beams use machine bolts secured with nuts and lockwashers. Never use bolts smaller than 1/4" diameter.

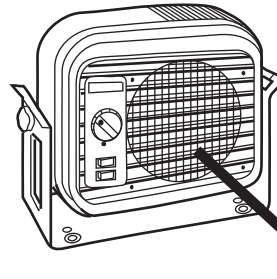
### TO RESET SAFETY THERMAL LIMIT CONTROL

Your heater is equipped with a manual reset safety thermal limit control that will automatically turn the heater off to prevent a fire if the heater overheats. This control is located on front of the heater just above the thermostat and is marked "PUSH TO RESET". To reset, allow the heater to cool then simply push the red button in until it snaps. The heater should immediately return to normal operation.

### CAUTION



OPERATION OF THE SAFETY THERMAL LIMIT CONTROL INDICATES THE HEATER HAS BEEN SUBJECTED TO SOME ABNORMAL CONDITION. IT IS RECOMMENDED THAT THE HEATER BE CHECKED BY A REPUTABLE ELECTRICIAN OR REPAIR SERVICE TO INSURE THE HEATER HAS NOT BEN DAMAGED.



### NAMEPLATE

MODEL NO. **PH4AB**  
PORTABLE HEATER

DATE CODE **0207**

VOLTS AC	WATTS		AMPS	
60 HZ	HI	LO	HI	LO
240	4000	2660	16.7	11.1
220	3360	2240	15.3	10.2
208	3000	2000	14.4	9.6



2F68 LISTED  
MOVABLE HEATER

CAUTION: UNPLUG BEFORE SERVICING.  
CAUTION: DO NOT OPERATE WITHOUT STAND.

ATTENTION: NE FAITES PAS FONCTIONNER  
ATTENTION: LE RADIATEUR SANS SOCLE.

MARLEY ENGINEERED PRODUCTS  
BENNETTSVILLE, SC 29512

4104-2099-002

### LIMITED WARRANTY

All products manufactured by Marley Engineered Products are warranted against defects in workmanship and materials for one year from date of installation, except heating elements which are warranted against defects in workmanship and materials for five years from date of installation. This warranty does not apply to damage from accident, misuse, or alteration; nor where the connected voltage is more than 5% above the nameplate voltage; nor to equipment improperly installed or wired or maintained in violation of the product's installation instructions. All claims for warranty work must be accompanied by proof of the date of installation.

The customer shall be responsible for all costs incurred in the removal or reinstallation of products, including labor costs, and shipping costs incurred to return products to Marley Engineered Products Service Center. Within the limitations of this warranty, inoperative units should be returned to the nearest Marley authorized service center or the Marley Engineered Products Service Center, and we will repair or replace, at our option, at no charge to you with return freight paid by Marley. It is agreed that such repair or replacement is the exclusive remedy available from Marley Engineered Products.

THE ABOVE WARRANTIES ARE IN LIEU OF ALL OTHER WARRANTIES EXPRESSED OR IMPLIED. AND ALL IMPLIED WARRANTIES OF MERCHANTABILITY AND FITNESS FOR A PARTICULAR PURPOSE WHICH EXCEED THE AFORESAID EXPRESSED WARRANTIES ARE HEREBY DISCLAIMED AND EXCLUDED FROM THIS AGREEMENT. MARLEY ENGINEERED PRODUCTS SHALL NOT BE LIABLE FOR CONSEQUENTIAL DAMAGES ARISING WITH RESPECT TO THE PRODUCT, WHETHER BASED UPON NEGLIGENCE, TORT, STRICT LIABILITY, OR CONTRACT.

Some states do not allow the exclusion or limitation of incidental or consequential damages, so the above exclusion or limitation may not apply to you. This warranty gives you specific legal rights, and you may also have other rights which vary from state to state.

For the address of your nearest authorized service center, contact Marley Engineered Products in Bennettsville, SC, at 1-800-642-4328. Merchandise returned to the factory must be accompanied by a return authorization and service identification tag, both available from Marley Engineered Products. When requesting return authorization, include all catalog numbers shown on the products.

### HOW TO OBTAIN WARRANTY SERVICE AND WARRANTY PARTS PLUS GENERAL INFORMATION

1. Warranty Service or Parts **1-800-642-4328**
2. Purchase Replacement Parts **1-800-654-3545**
3. General Product Information **www.marlymep.com**

**Note:** When obtaining service always have the following:

1. Model number of the product
2. Date of manufacture
3. Part number or description



**Marley**  
Engineered Products

470 Beauty Spot Rd. East  
Bennettsville, SC 29512 USA