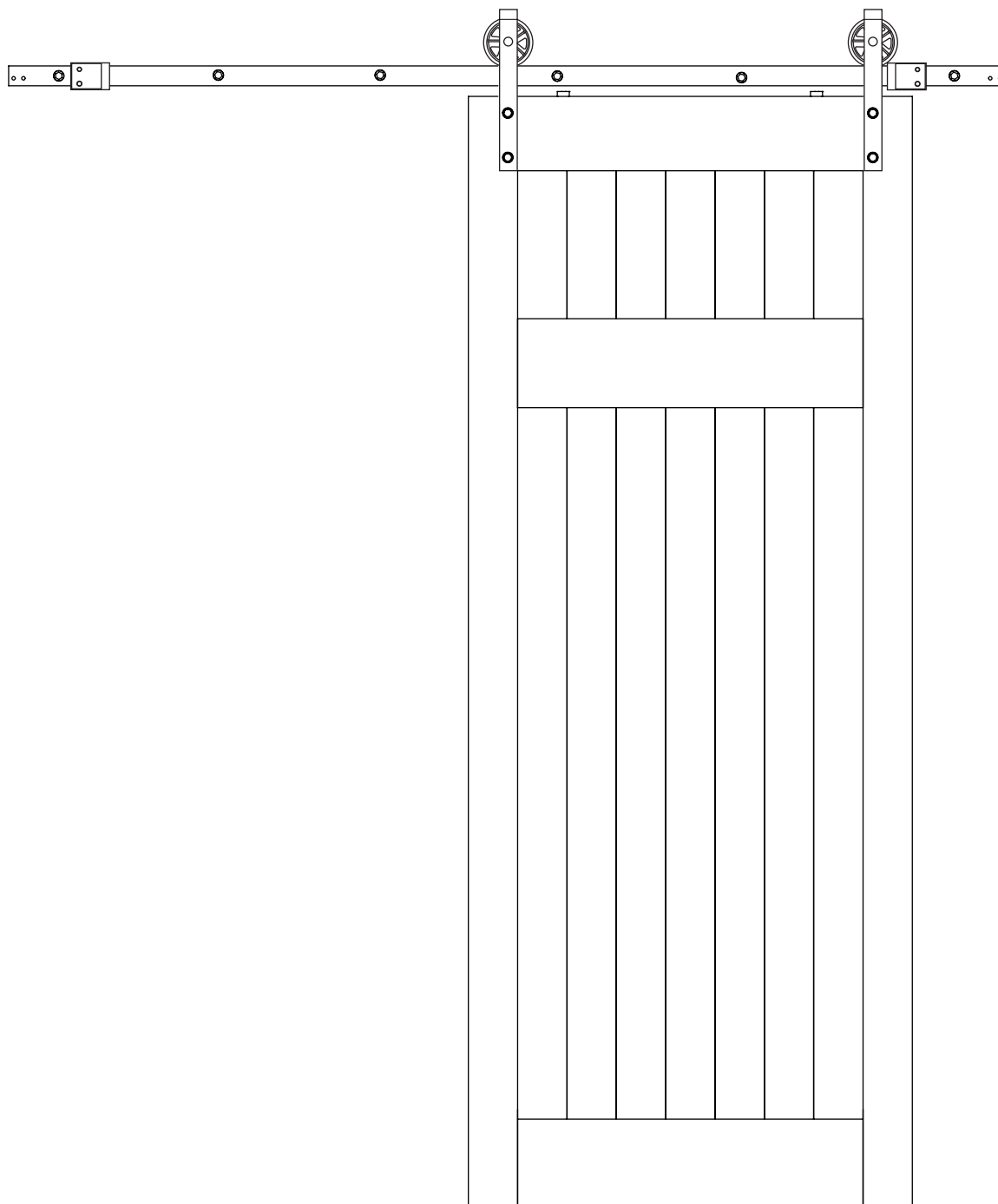
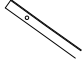
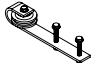



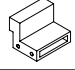





Barn Door Hardware Installation Manual



Track Accessories

Single Door Hardware Kit Includes									
Part Name	Flat Track	Steel Hanger	Anti-jump Pad	Type A Floor guide	Type B Floor guide	Door Stopper	Lag Bolt	Spacer	Junction Plate
picture									
8FT	2	2	2	1	1	2	6	6	1

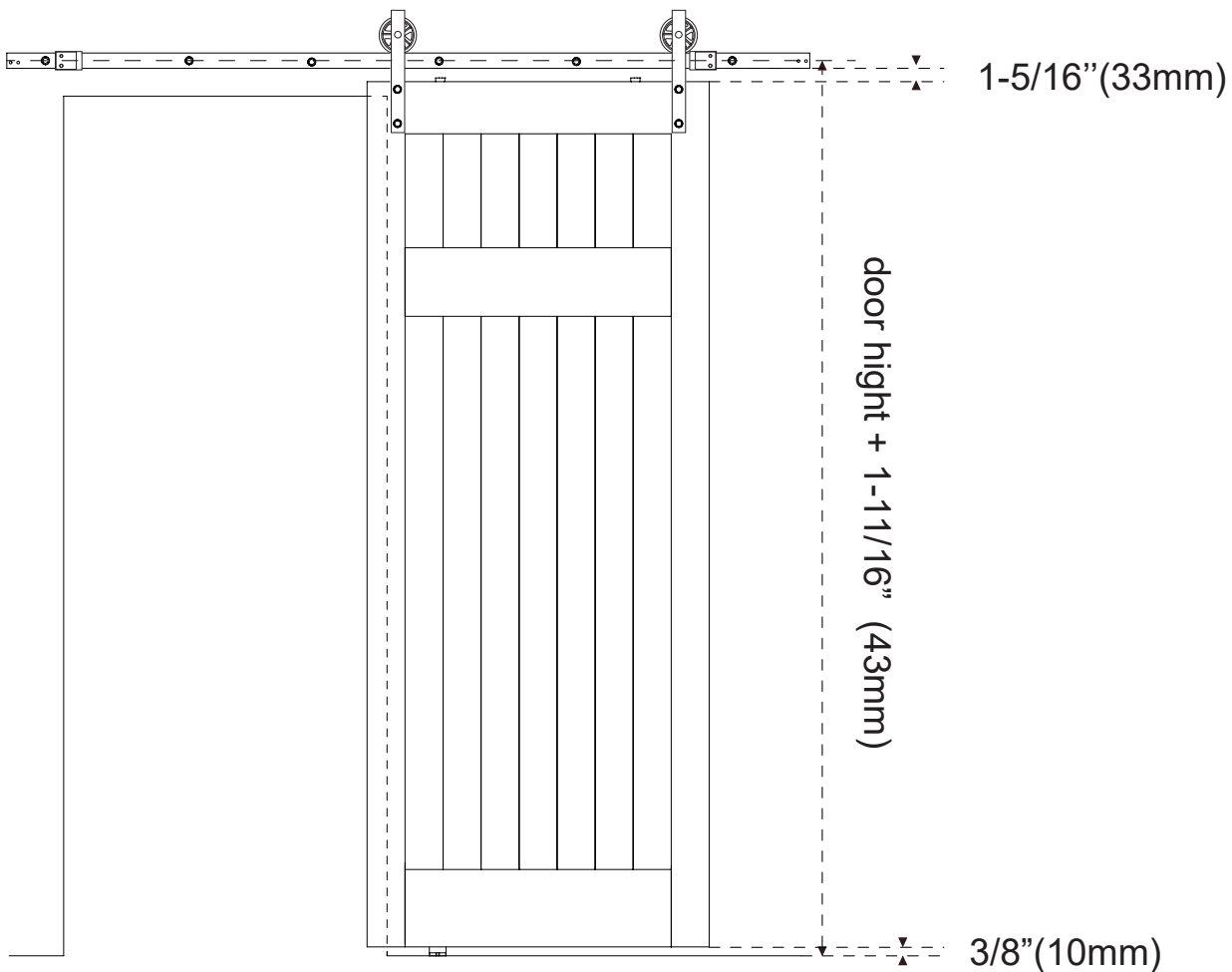
- ① Check the quantity of all the accessories.
- ② Any product problems or installation questions, please email us at productservicecenter@outlook.com with your “order ID”.

Chart: Track Junction

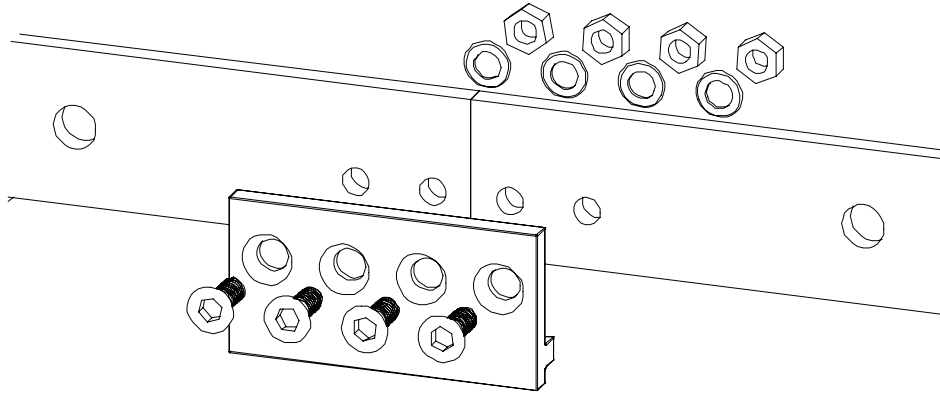


※Hardware Installation

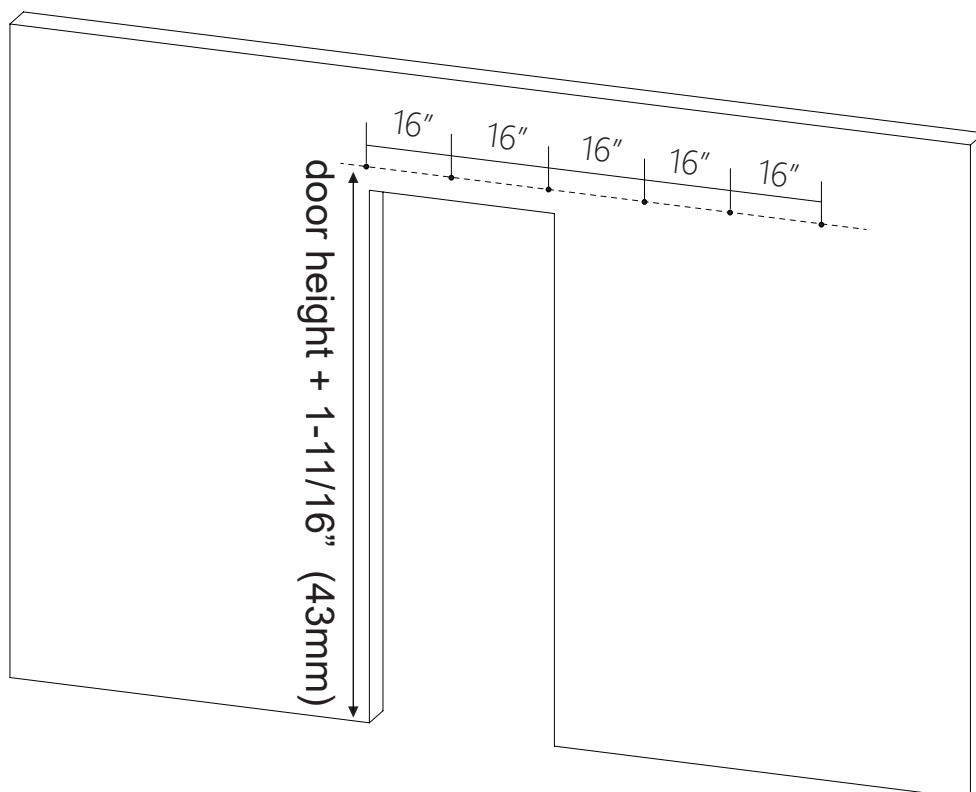
Main Installation Dimension



Step 1: Connect your tracks first with junction plate.

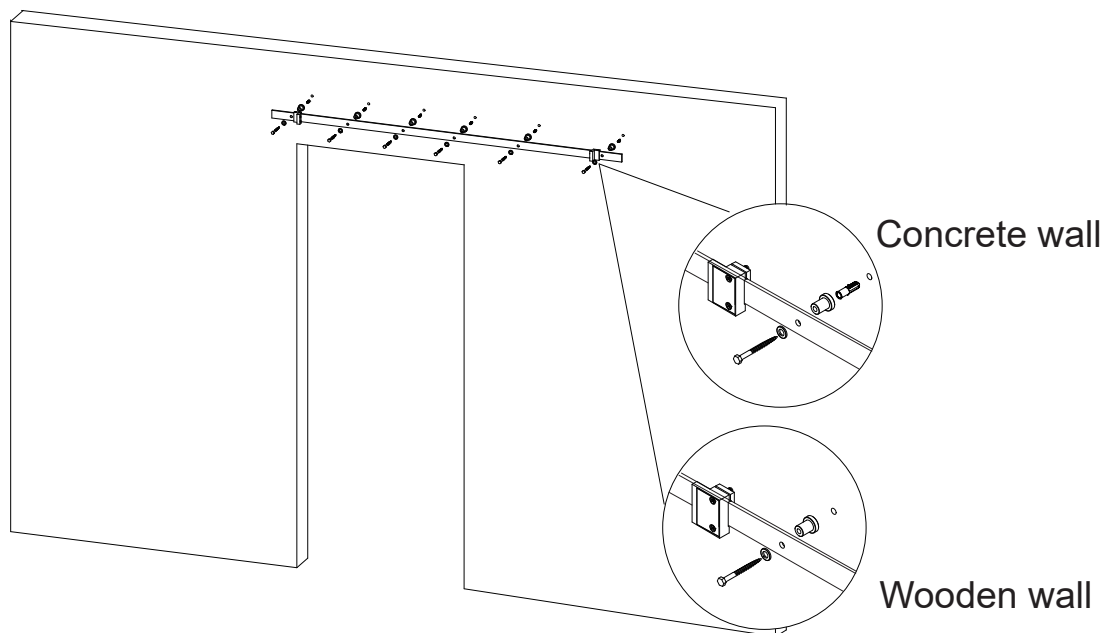




- Step 2:** ① Measure the overall height for the center line of the track, make sure it should be door height + [1-11/16 (43mm)] above the floor.
- ② Mark out all the holes' position according to your track.

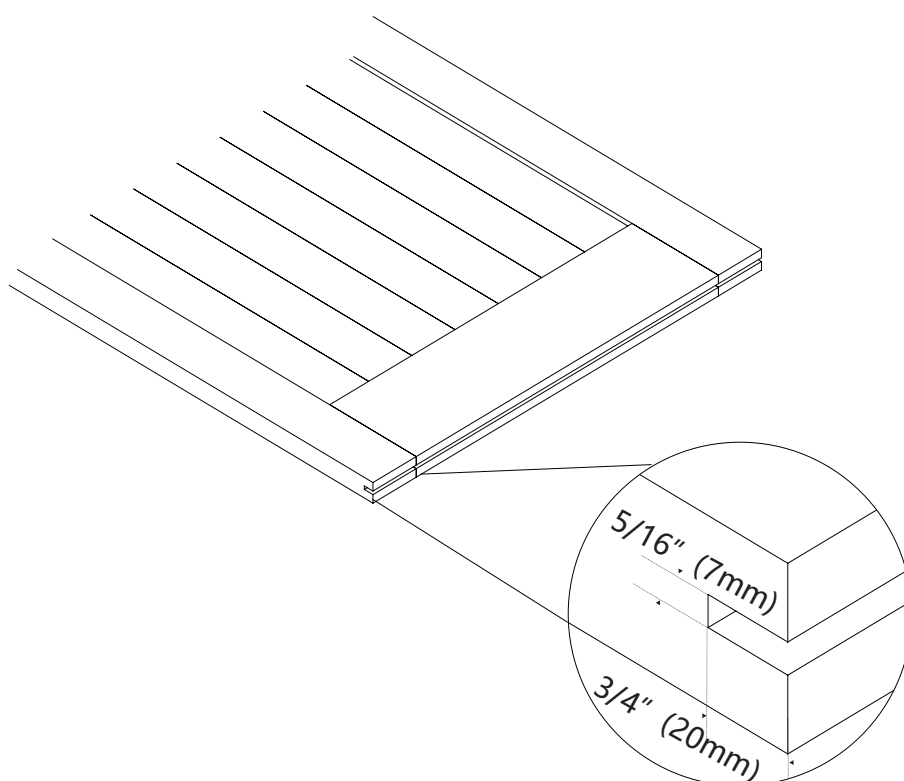


Step 3: Drill holes and install your track

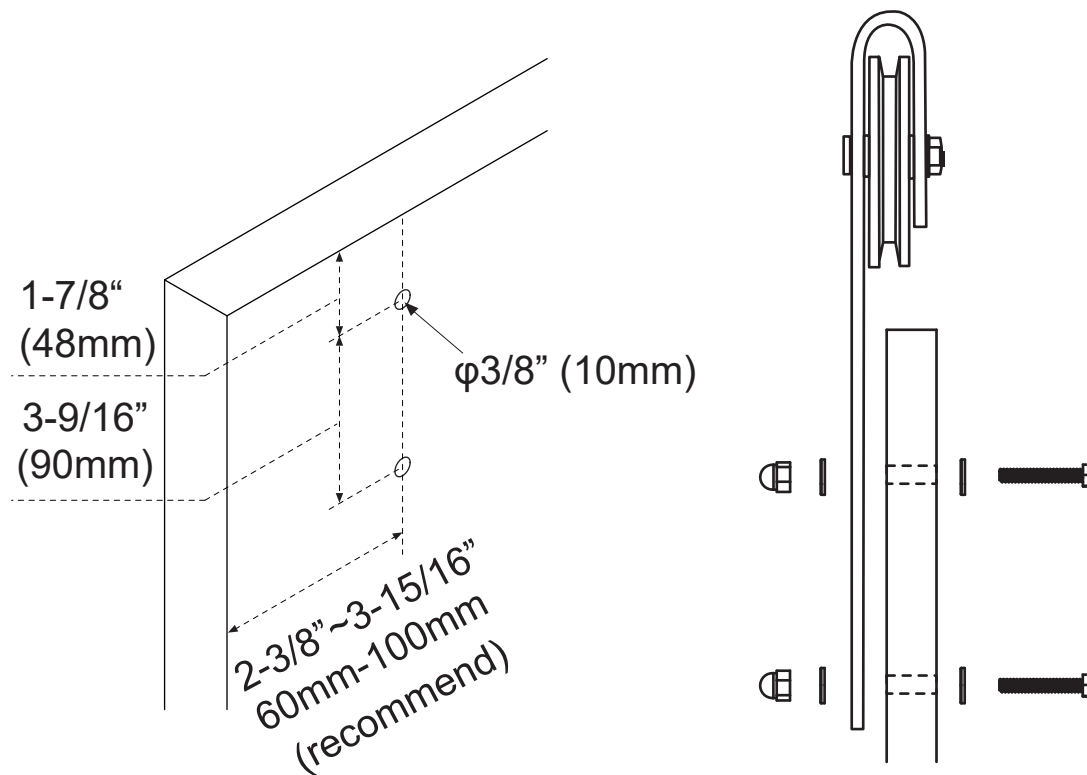
- ① Concrete wall: Drill out the holes by using a drill with 3/8" (10mm) drill bit.
- ② Wooden wall: Drill out the holes by using a drill with 1/4" (6mm) drill bit.
- ③ Install the track refer to the below image.



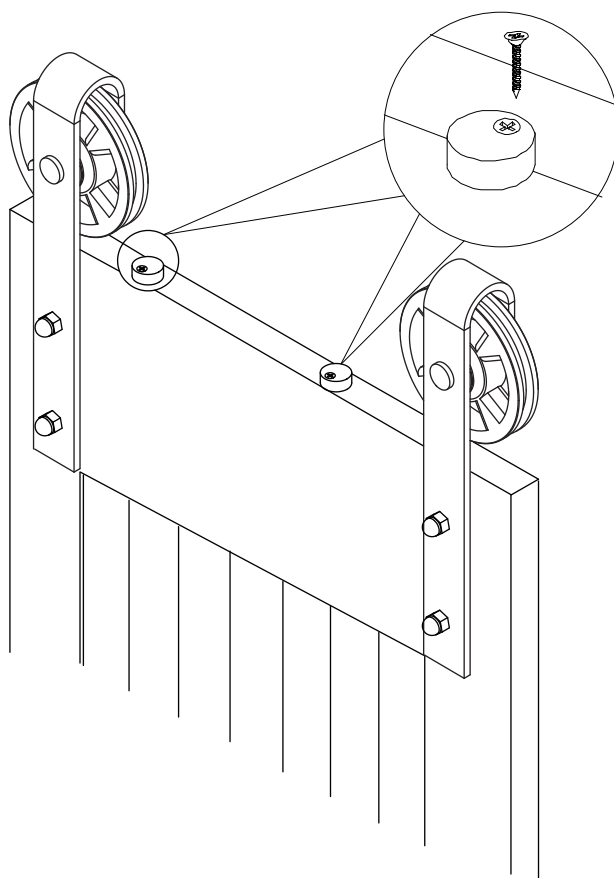
- ### Step 4:
- ① If you use type A floor guide  , you will need to open a slot [5/16" (7mm) wide, 3/4" (20mm) deep] at the bottom of the door with a slotting machine.
 - ② If you use type B floor guide  , please skip this step.



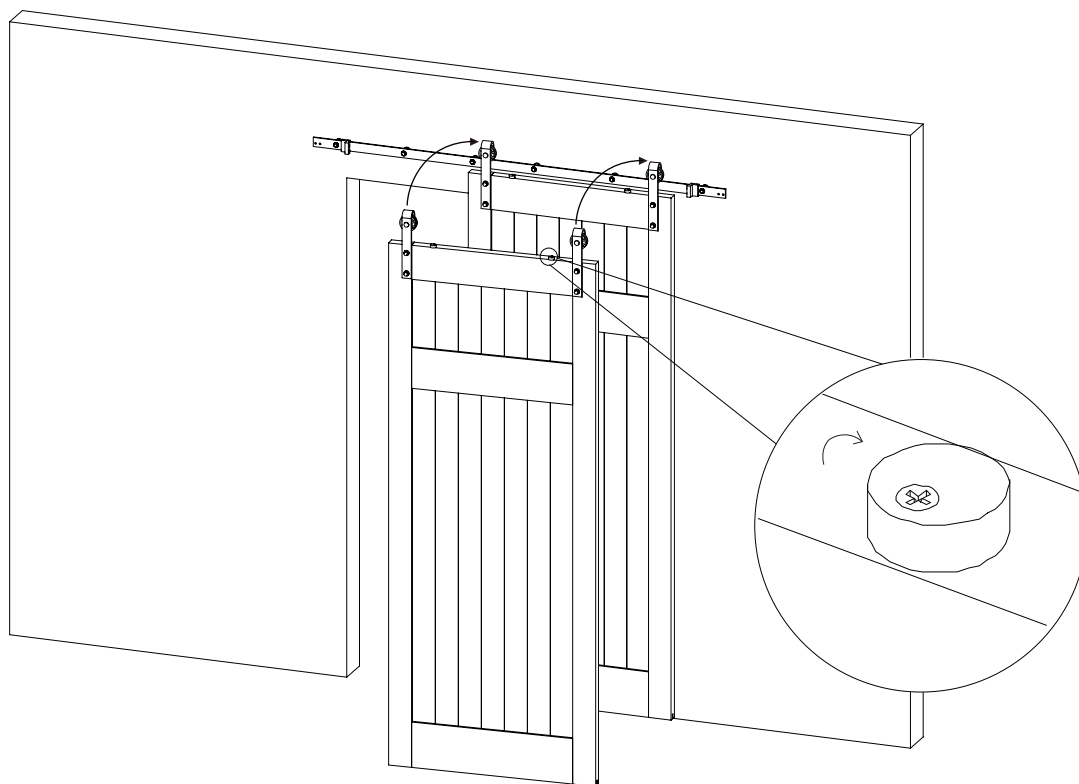
Step 5: Install hangers on your door.



Step 6: Install anti-jump pad. As the picture shows, the screw is near the edge of your door.

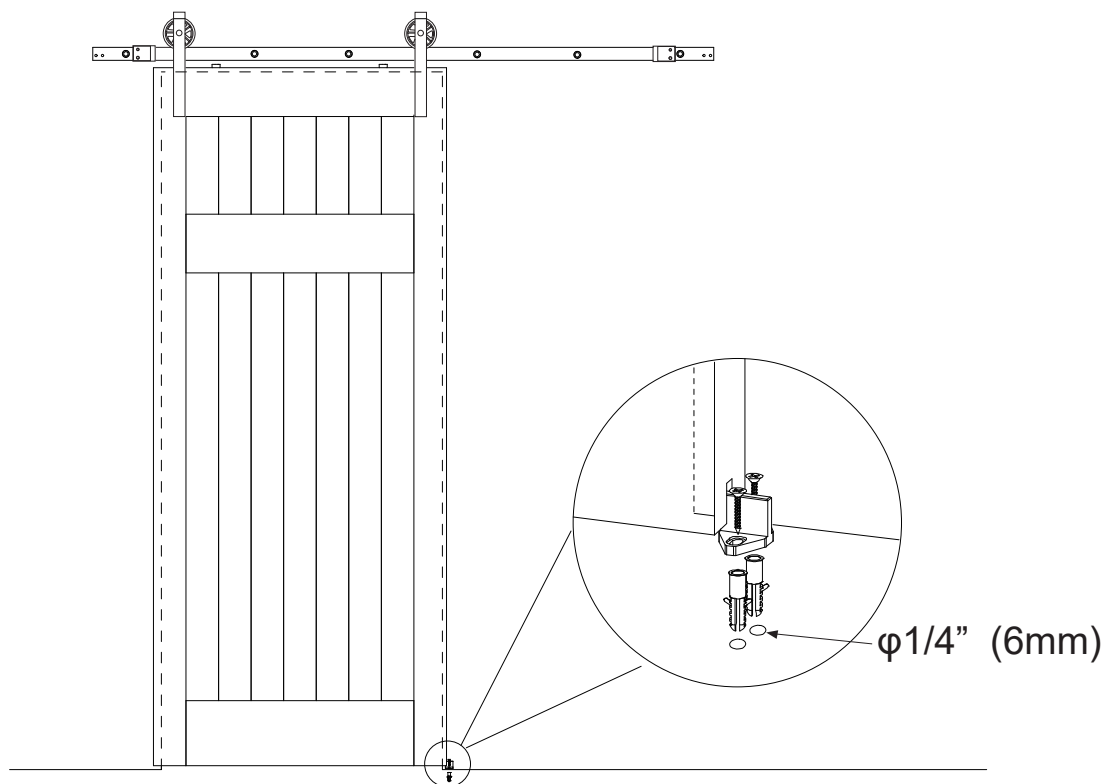


Step 7: Put your hangers on the track, then twist the anti-jump pad facing to your wall.

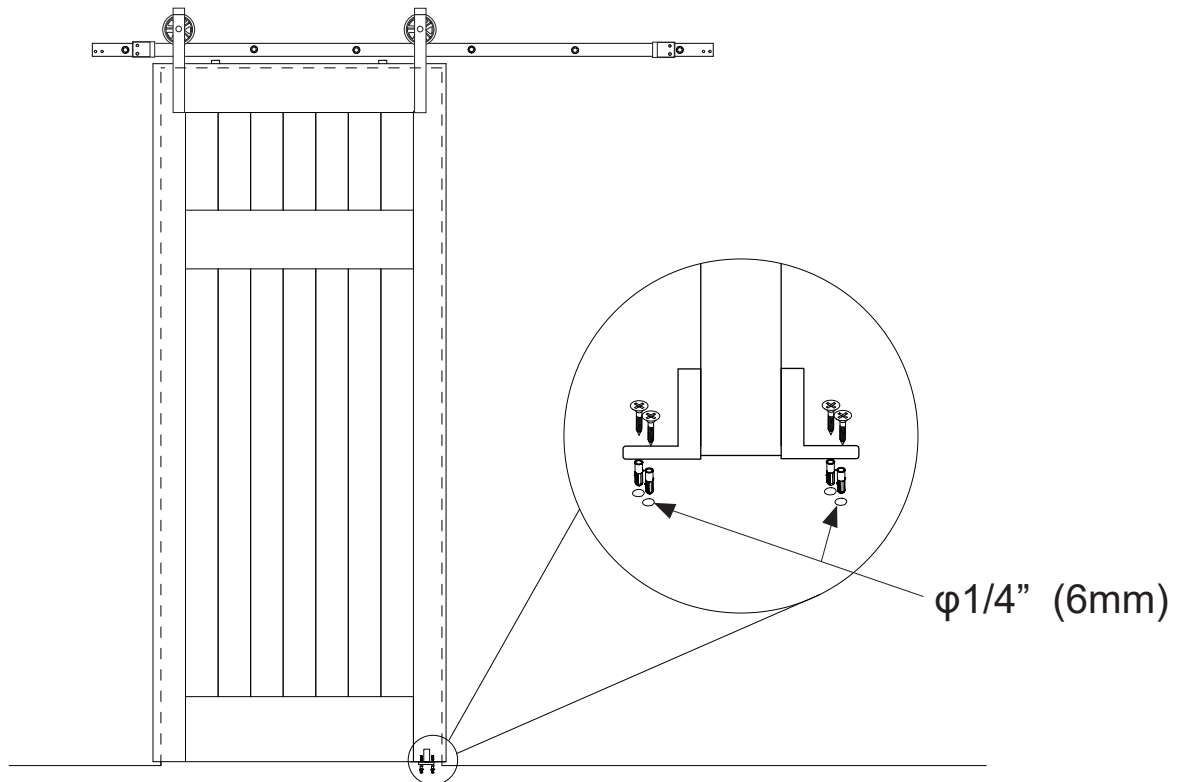


Step 8: Install your floor guides.

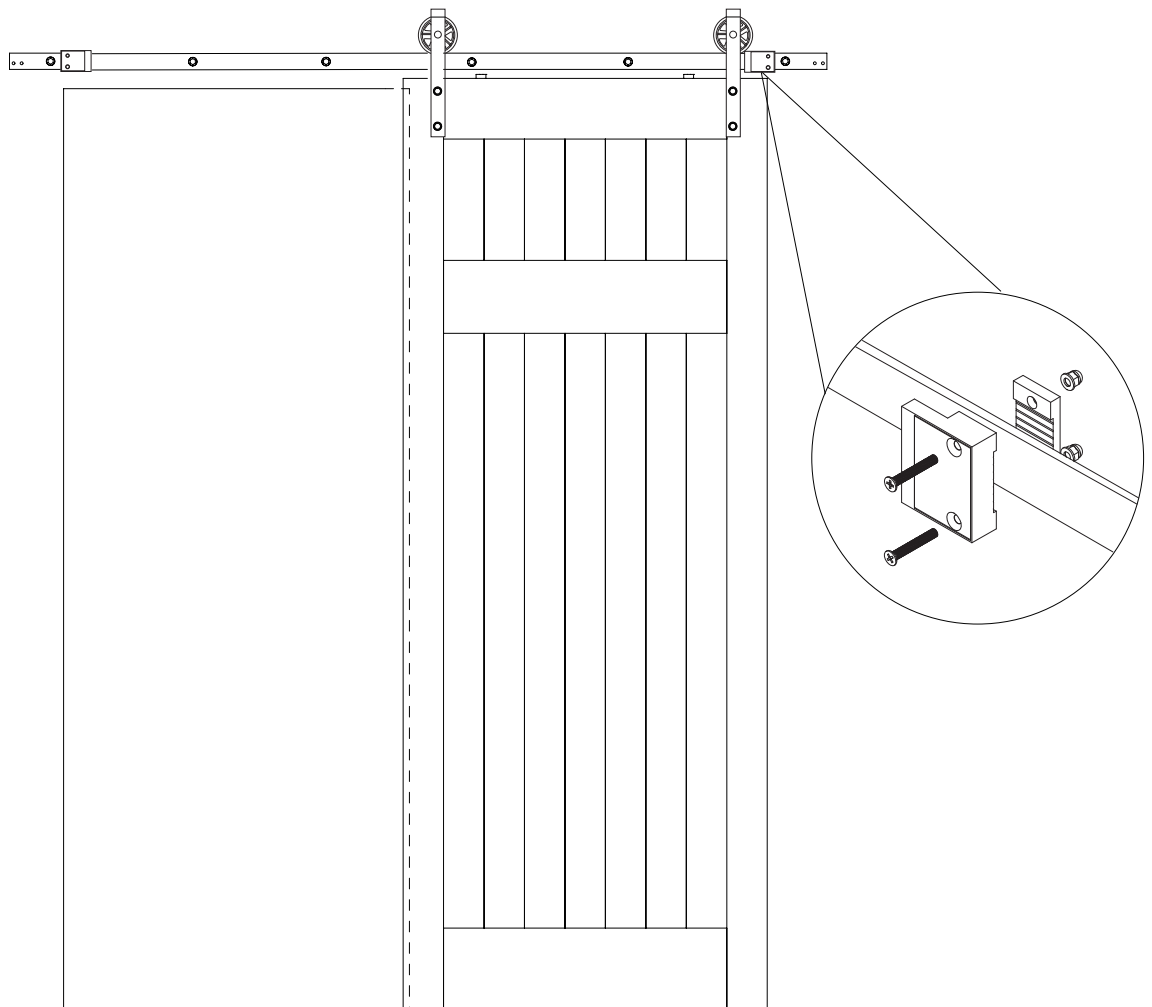
Type A



Type B



Step 9: Adjust and fix stoppers to make the door not detach from the floor guide whether the door on close or open position.





WARNING

- Failure to wear proper safety gear (i.e., eye protection) may result in serious injury or death. Always wear proper safety gear before using power tools.
- Improper operation of power tools may result in loss of control, serious injury or death. Always ensure you have complete control of the power tool and the work area is free of hazards before operating a power tool.
- Lack of secure clamping of the door may result in unexpected movement of the door, loss of power tool control and serious injury or death. Always securely clamp the door in place before cutting, or drilling, the door.
- Lack of, or improperly installed Anti-jump Disc may result in the door coming off the track and cause serious injury or death. Installation of Anti-jump Discs are required for safe operation of this hardware. Installed properly, these discs will keep the door securely attached to the track.



CAUTION

- Mishandling of heavy objects (i.e., doors) may cause a loss of balance and serious injury. Always be sure you have a secure hold on the object and are balanced before moving the object. Always wear safety shoes when lifting heavy objects.
- Getting body parts (i.e., hair, fingers) caught in moving parts may cause pinching and serious injury. Do not put fingers in parts that may move and always remove or contain anything on your body that may become entangled with a moving part.
- Closing sliding doors with your hand on the end of the door may result in your hand, or fingers, getting caught between the door and other solid objects (i.e., another door, molding) causing serious injury. Always use the door handle to close doors.

Usage Statement:

Use of excessive force when opening, and closing, the door(s) may result in damage to the hardware. Always hold the handle and gently open and close the door(s).

Warranty Statement:

5 year straight unconditional warranty service enables every single hardware's durability coverage during its life time.