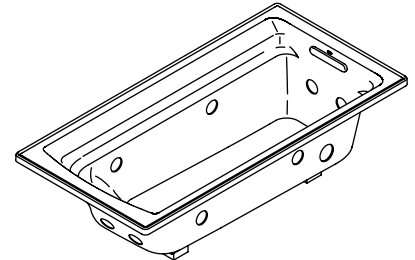


6' (1.8 m) BATH WHIRLPOOL K-1124

Features

- Acrylic
- 8 color-matched jets
- 1.25 hp pump with air switch and grounding-type plug-in cord
- Slotted overflow for maximum bathing depth
- Low threshold height
- Integral lumbar support
- Armrests
- 72" (182.9 cm) x 36" (91.4 cm) x 19" (48.3 cm)



Codes/Standards Applicable

Specified model meets or exceeds the following:

- ANSI Z124.1.2
- IAPMO/UPC
- Underwriters Laboratories (UL)
- ASME A112.19.7M

Colors/Finishes

- 0: White
- Other: Refer to Price Book for additional colors/finishes

Accessories

- 0: White
- CP: Polished Chrome
- Other: Refer to Price Book for additional colors/finishes

Specified Model

Model	Description	Colors/Finishes	
K-1124	Drop-in bath whirlpool	<input type="checkbox"/> 0	<input type="checkbox"/> Other_____
Required Accessories			
K-7272	Bath drain – above or through-the-floor installation	<input type="checkbox"/> CP	<input type="checkbox"/> Other_____
Optional Accessories			
K-9529	Removable bath seat	<input type="checkbox"/> 0	

Product Specification

The acrylic bath whirlpool shall be 72" (182.9 cm) in length, 36" (91.4 cm) in width, and 19" (48.3 cm) in height. Product shall have 8 color-matched jets and armrests. Product shall feature an 1.25 hp pump with air switch and grounding-type plug-in cord. Product shall feature a slotted overflow for maximum bathing depth, low threshold height, and integral lumbar support. Bath whirlpool shall be Kohler Model K-1124-_____.

ARCHER™

Technical Information

Fixture*:	
Bathing well	
Basin area bottom	51-3/8" (130.5 cm) x 21" (53.3 cm)
Basin area top	64-1/2" (163.8 cm) x 30-1/2" (77.5 cm)
Weight	110 lbs (50 kg)
To overflow	
Water depth	15" (38.1 cm)
Capacity	72 gal (273 L)
* Approximate measurements for comparison only.	

Drop-in cutout dimensions:	
70-1/2" (179.1 cm) x 34-1/2" (87.6 cm)	

Pump:	Hp	V	Hz	A
1-speed	1.25	120	60	7
Pump is supplied with 24" (61 cm) grounding-type plug-in cord.				
Minimum access panel pump/control:				
20" (50.8 cm) W x 15" (38.1 cm) H		required		

Required Electrical Service

Dedicated circuit required, protected with a Class A Ground-Fault Circuit-Interrupter (GFCI):	
Pump/control	120 V, 15 A, 60 Hz
Locate the outlet behind the whirlpool and within 24" (61 cm) of the pump.	

Installation Notes

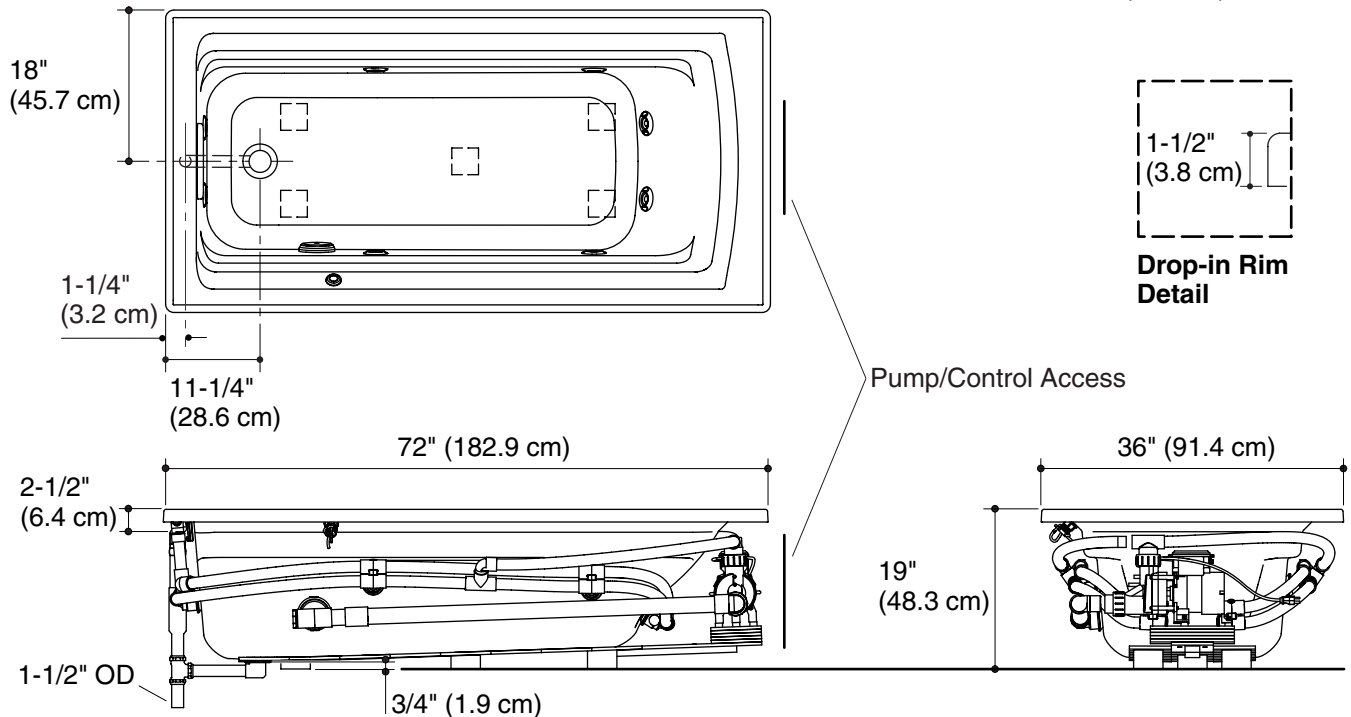
Install this product according to the installation guide.

Floor support under this product must provide for a minimum of 41 lbs/square foot (201 kg/square meter) loading.

This product is designed for drop-in installation only. It is not suited for use in a three-wall alcove with an overhead shower.

The hot water supply should be 70% of the capacity of the bath or greater. Installations will vary.

No change in measurements if connected with drain illustrated. (K-7272)



Product Diagram