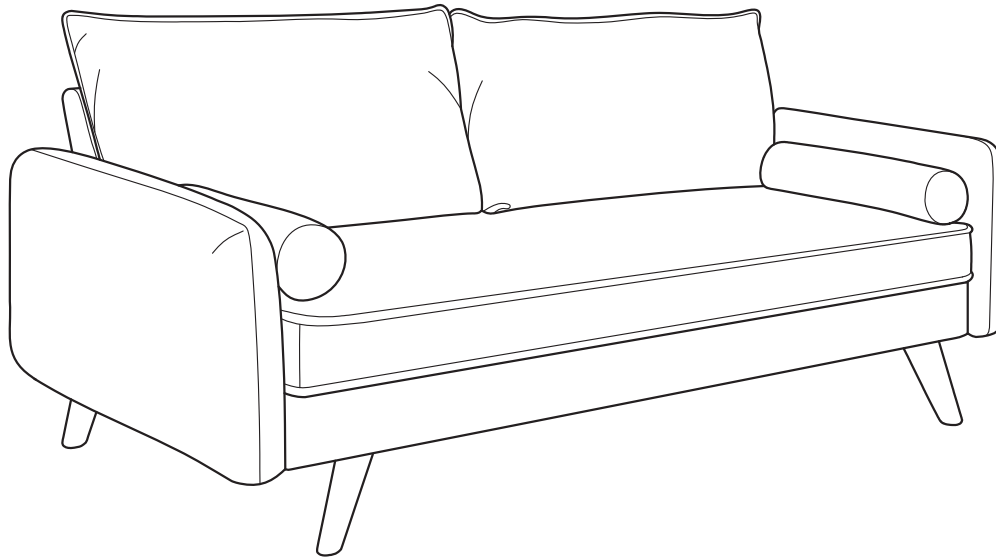


SOFA
ASSEMBLY INSTRUCTIONS

DO NOT RETURN PRODUCT TO THE STORE

individual stores do not stock parts.

If a part is missing or damaged, call our toll - free customer service line.

Need parts or assistance?

Please call :

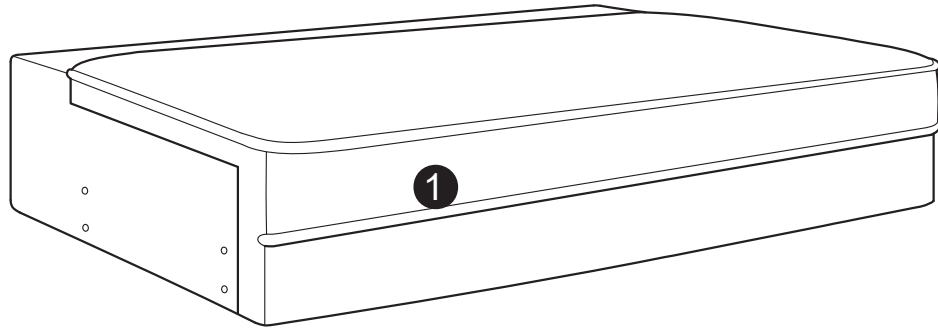
866-626-7826

For prompt, reliable service; please have your assembly manual ready.

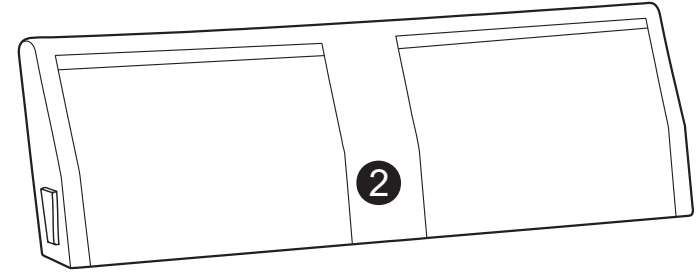
WARNING

- This product has been designed for seating three (3) average adults. To prevent injury and damage to this unit, PROHIBIT jumping on it.
- This product is designed for home use and not intended for commercial use.
- Children under the age of 5, small infants and babies should not sleep alone on this product for safety reasons.
- Recommended # of people needed for handling: 2 (however it is always better to have an extra hand.)
- THIS INSTRUCTION BOOKLET CONTAINS **IMPORTANT** SAFETY INFORMATION. PLEASE READ AND KEEP FOR FUTURE REFERENCE.

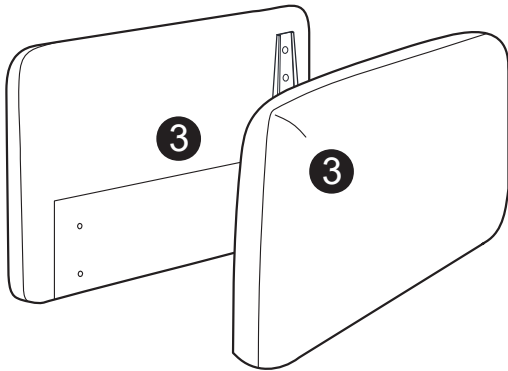
PARTS



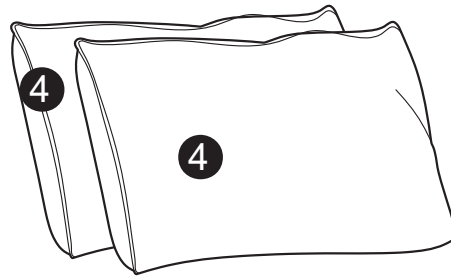
Sofa Body
QTY:1



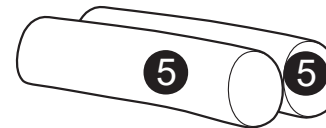
Backrest
QTY:1



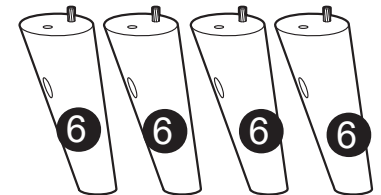
Arm
QTY:1Pair



Back Cushions
QTY:2

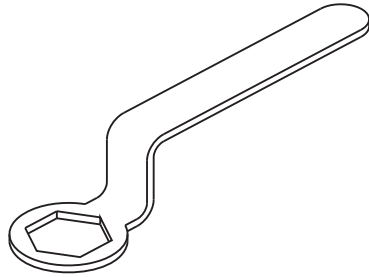


Pillow
QTY:2

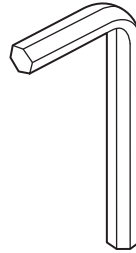


Leg
QTY:4

HARDWARE



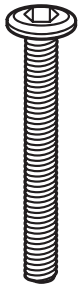
A
Spanner
14mm
QTY : 1 PC



B
Hex Key
M5 X 50mm
QTY : 1 PC



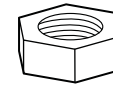
C
Threaded Rod
M8 × 60mm
QTY : 8 PCS



D
Bolt
M8 X 50mm
QTY : 4 PCS



E
Washer
Φ20 x Φ8mm
QTY : 8 PCS

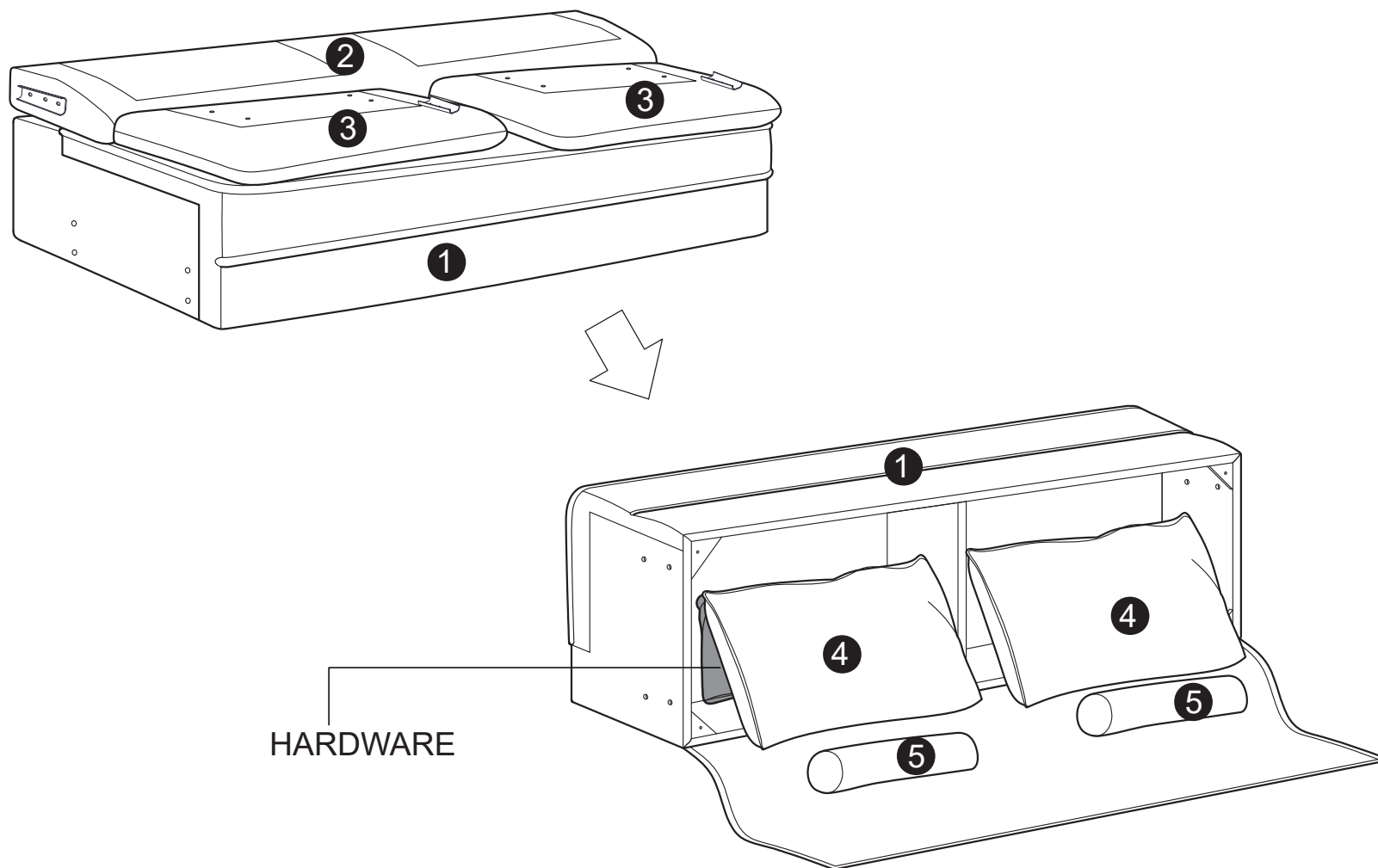


F
Nut
M8
QTY : 8 PCS

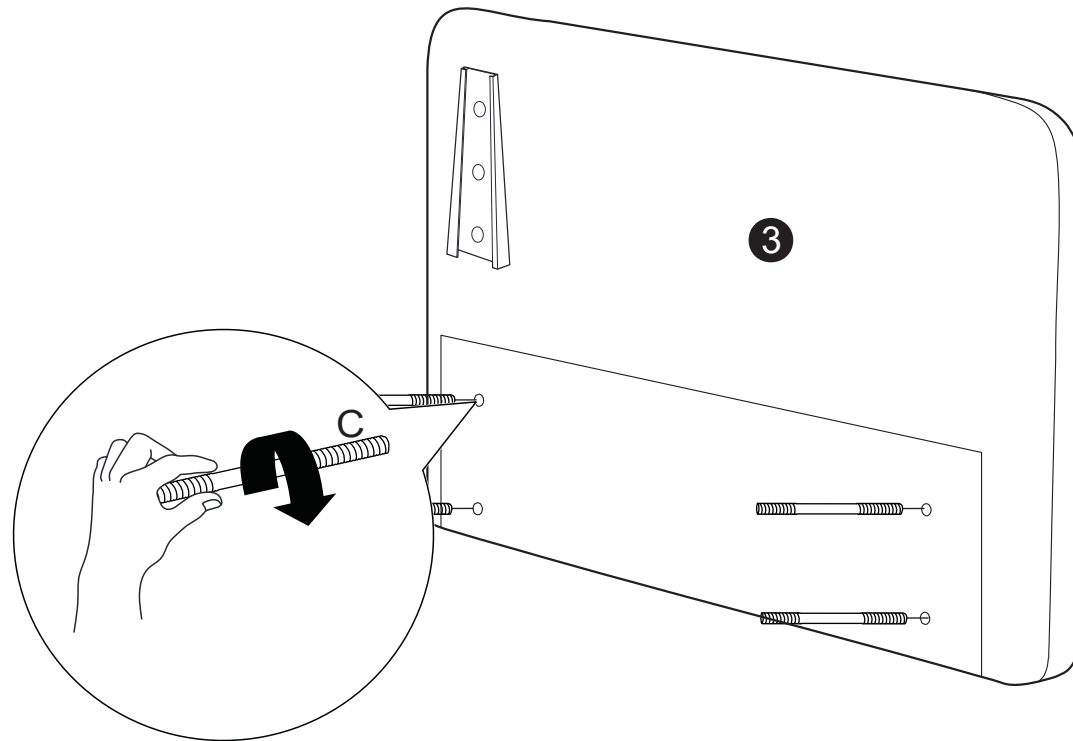
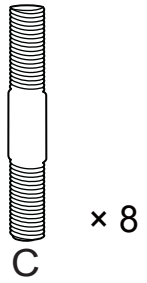


G
Washer
Φ17 x Φ8mm
QTY : 4 PCS

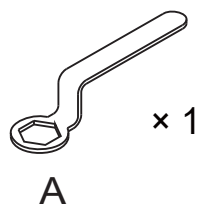
Step 1 :



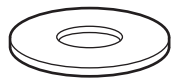
Step 2 :



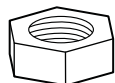
Step 3 :



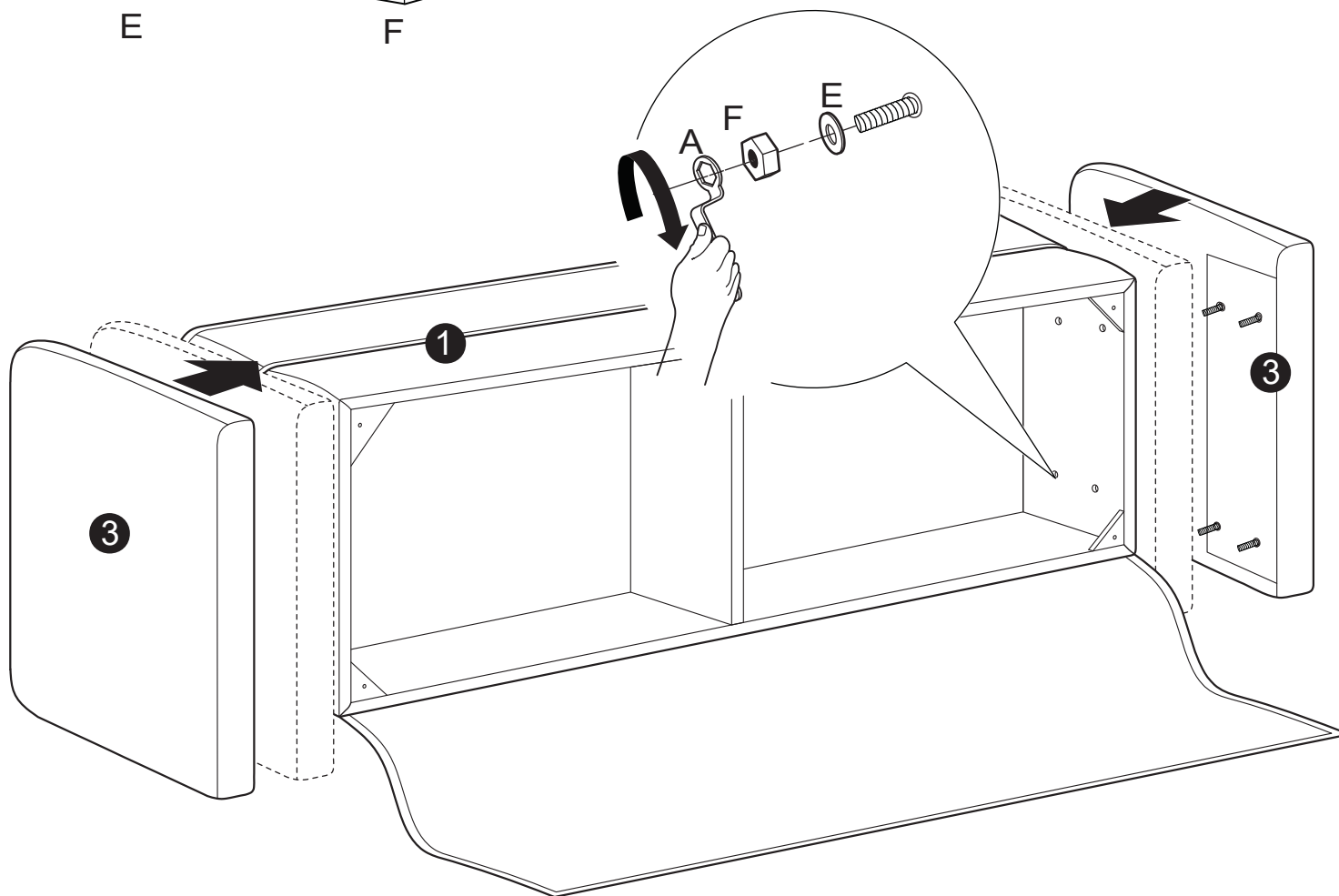
x 1



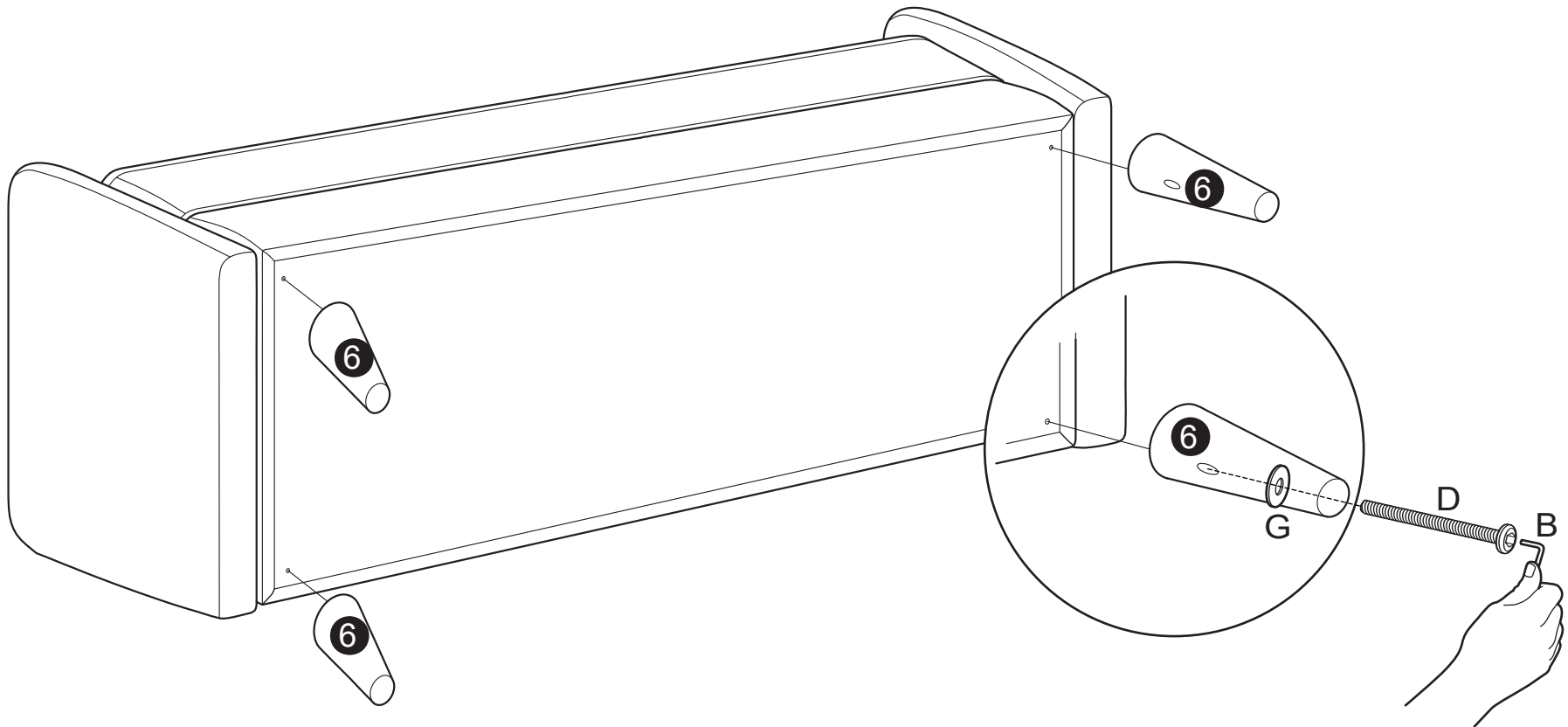
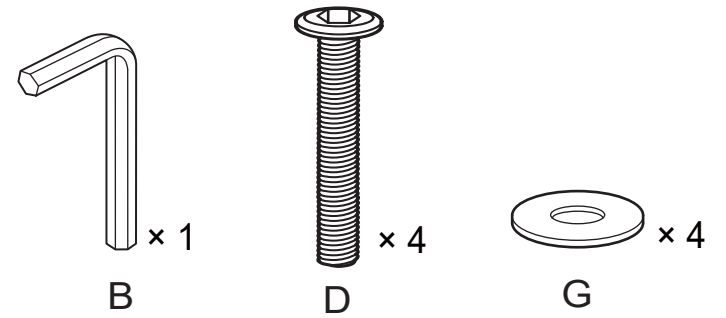
x 8



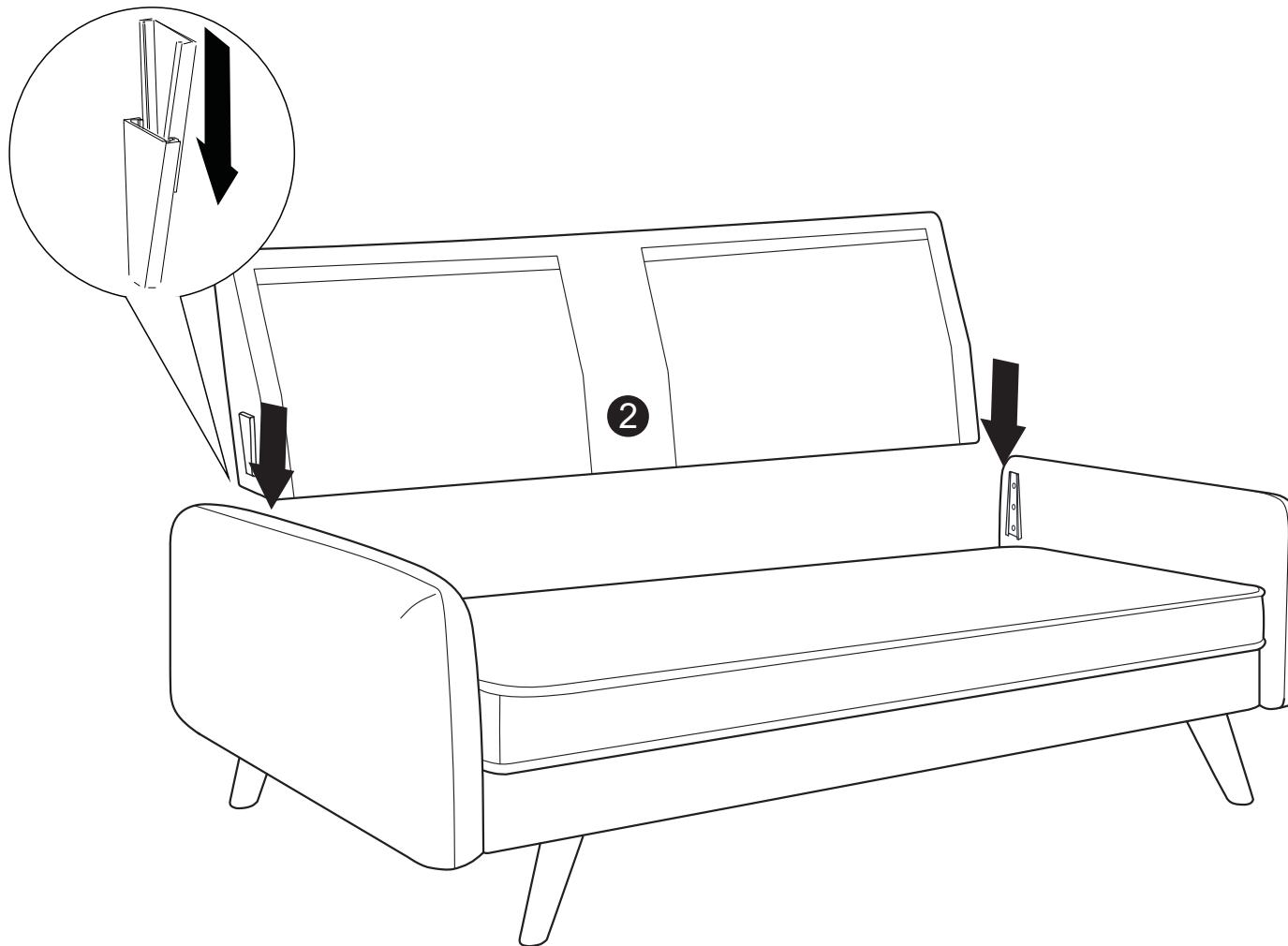
x 8



Step 4 :

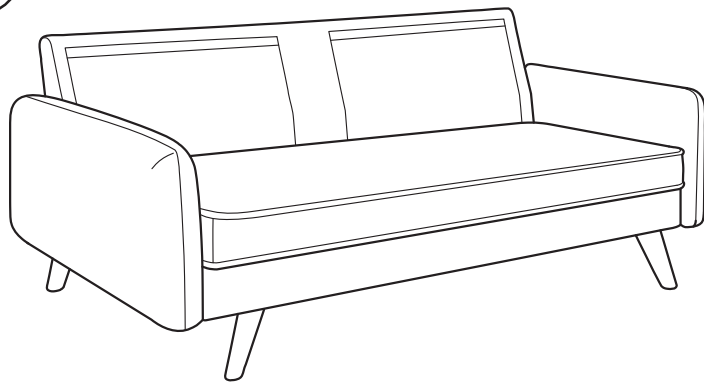


Step 5 :

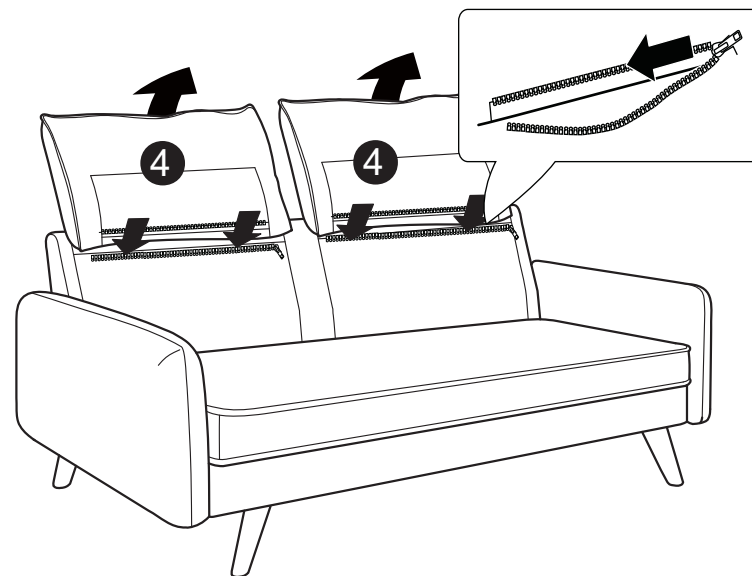


Step 6:

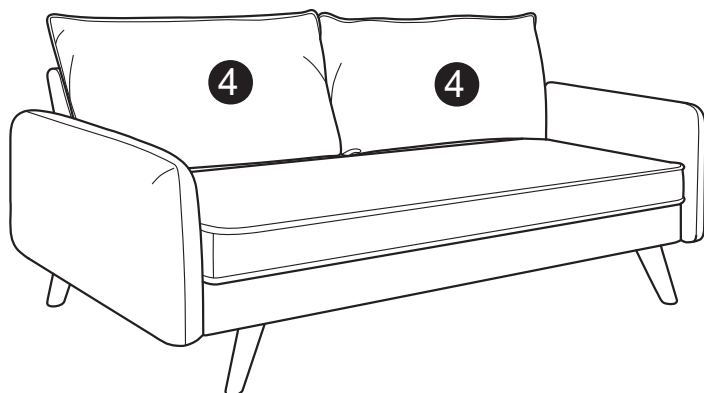
1



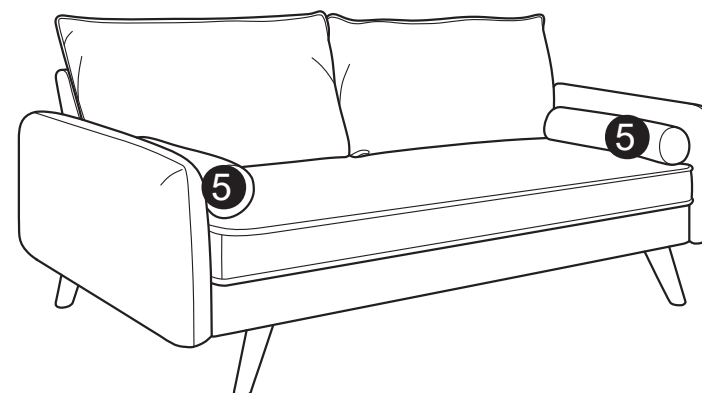
2



3



4



INSTALLATION COMPLETE :

