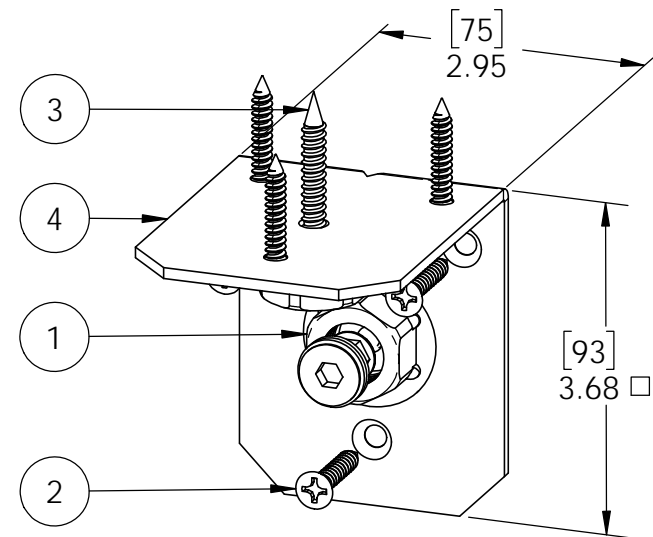
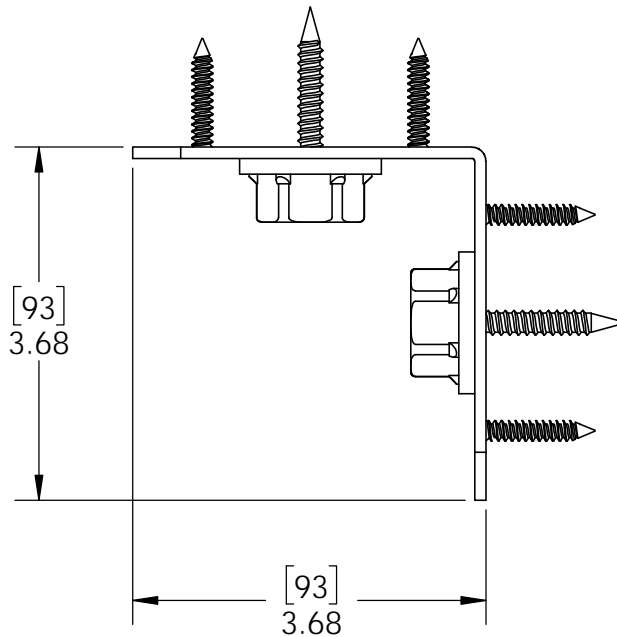
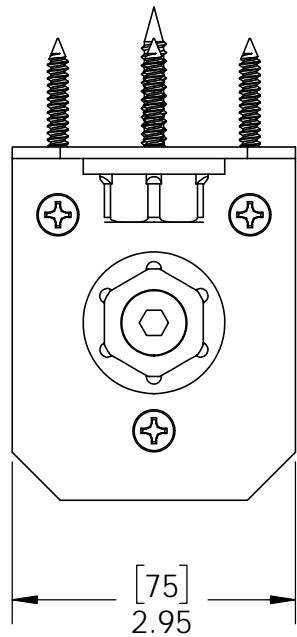


Product & Packaging Specs

4" Standard Rafter Clip (RC-IW-4)

Item #: 51718

ITEM NO.	QTY.	PART NUMBER	DESCRIPTION
1	0.2	56621	1 1/2" Hex Cap Nut (HCN)
2	6	80014	Screw, FHP #12 X 1.25", Black
3	0.08	56625	OWT Timber Screw 1-3/4"
4	1	51718-11	Clip, 4" Rafter



Weight: 16.33 LBS
 Scale: 1:2
 Last updated: 12/26/2015

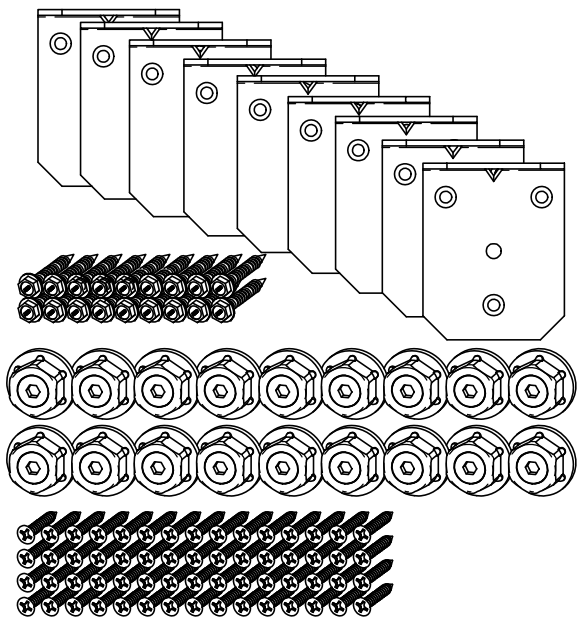
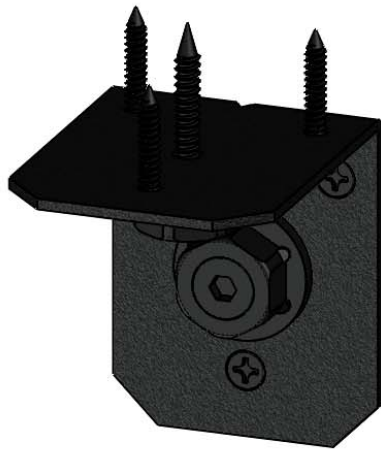
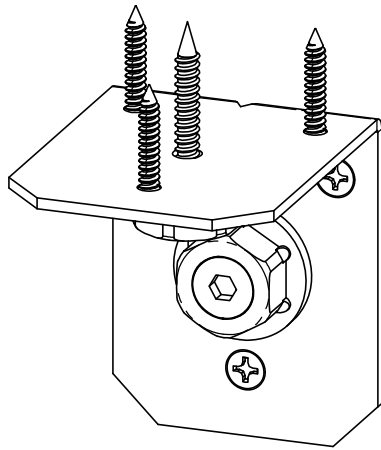
51718



Product & Packaging Specs

4" Standard Rafter Clip (RC-IW-4)

Item #: 51718



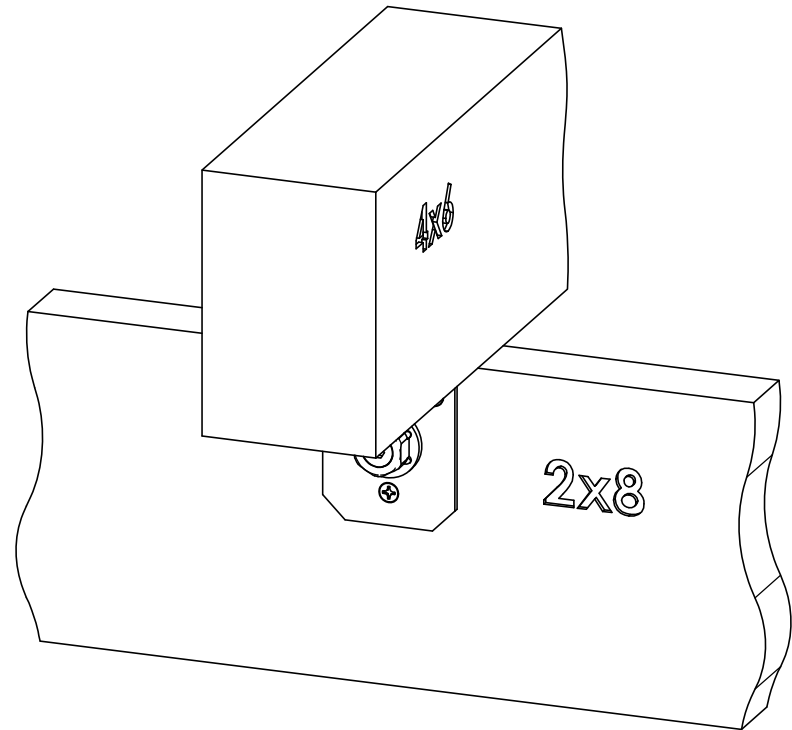
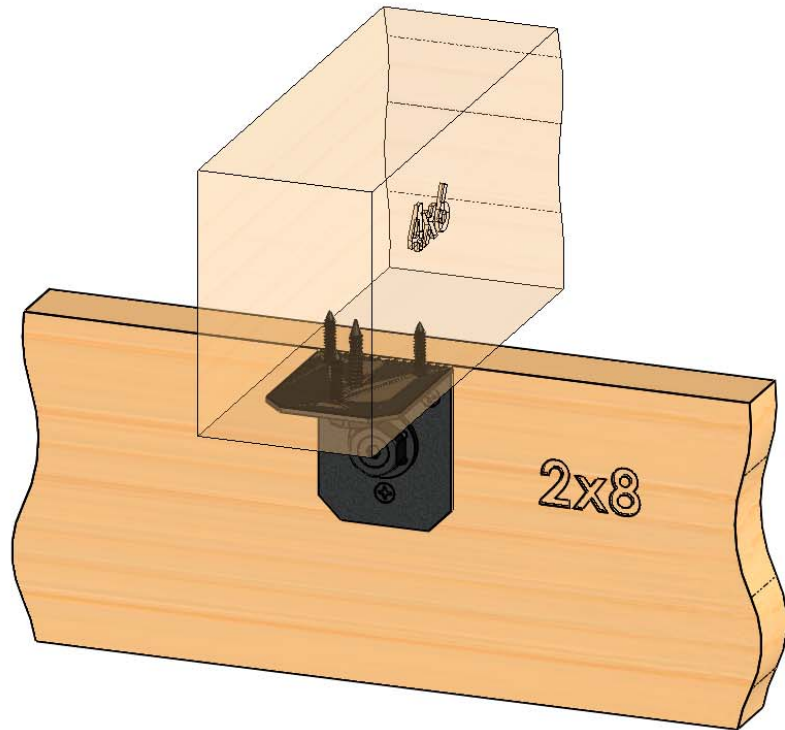
Weight: 16.33 LBS
Scale: 1:2
Last updated: 12/26/2015

51718

Product & Packaging Specs

4" Standard Rafter Clip (RC-IW-4)

Item #: Typical Installation & Basic Assembly



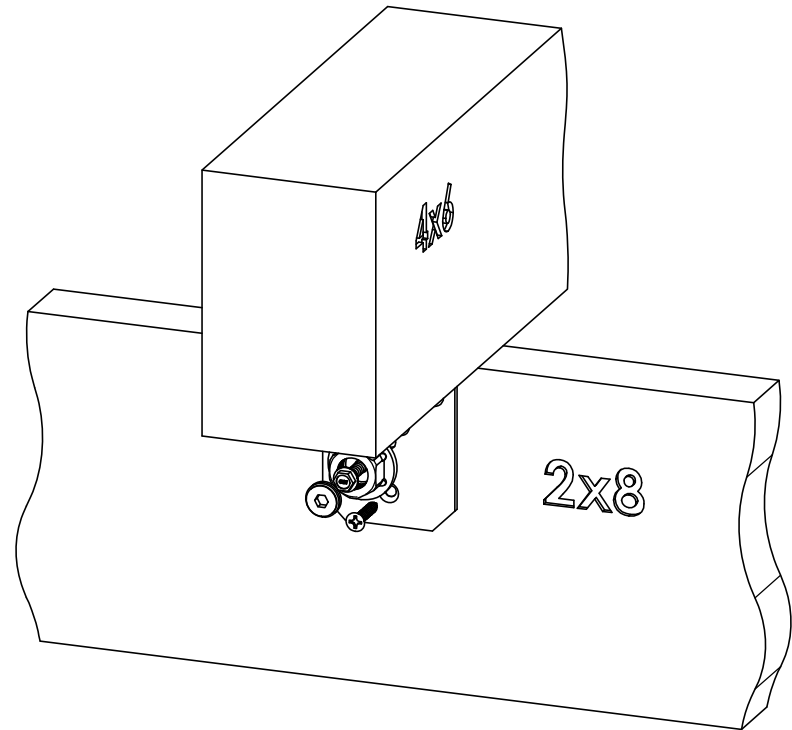
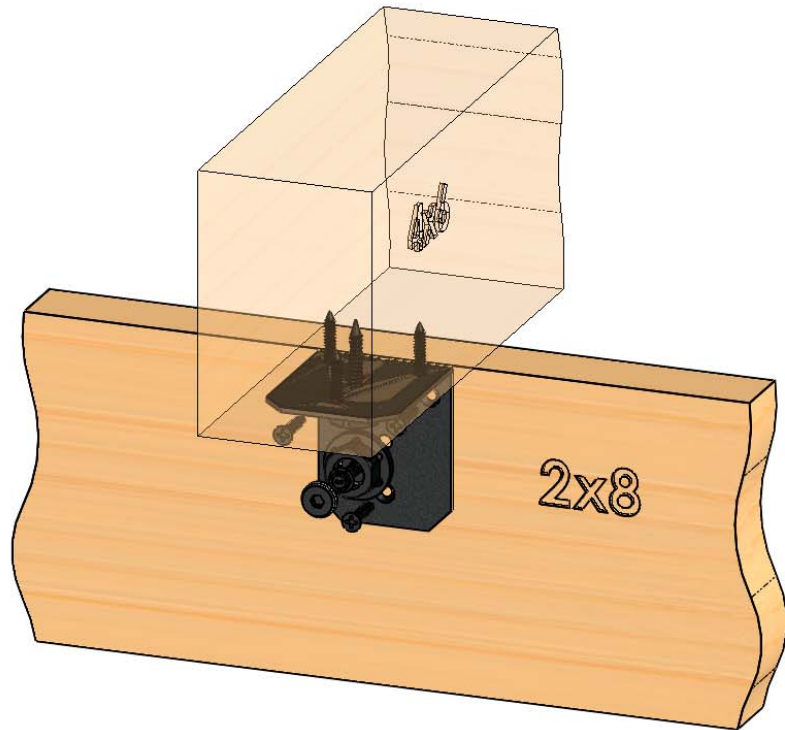
Scale: 1:4
Last updated: 12/26/2015

51718

Product & Packaging Specs

4" Standard Rafter Clip (RC-IW-4)

Item #: Typical Installation & Basic Assembly



Scale: 1:4
Last updated: 12/26/2015

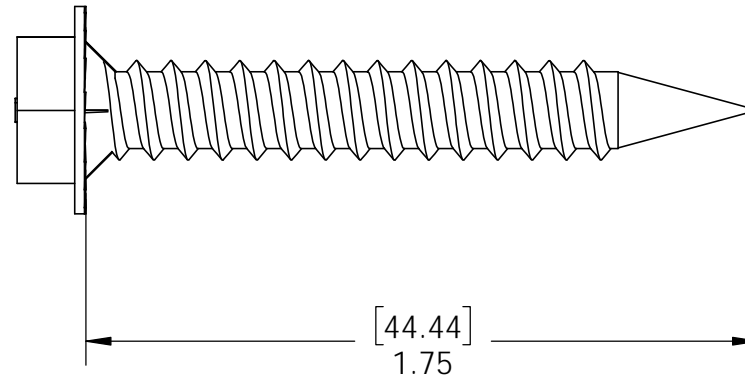
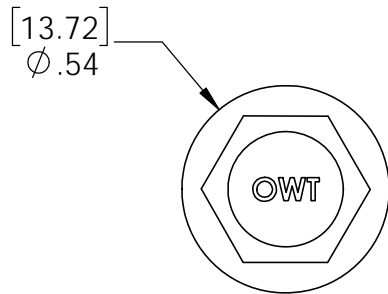
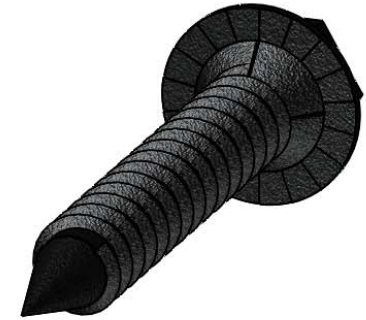
51718



Product & Packaging Specs

Screw, OWT 1-3/4" (45mm) Timber

Item #: 56625



Weight: 0.02 LBS
Scale: 2:1
Last updated: 12/26/2015

for additional details, see drawing OWT Timber Screw

Product & Packaging Specs

1 1/2" Hex Cap Nut (HCN)

Item #: 56621

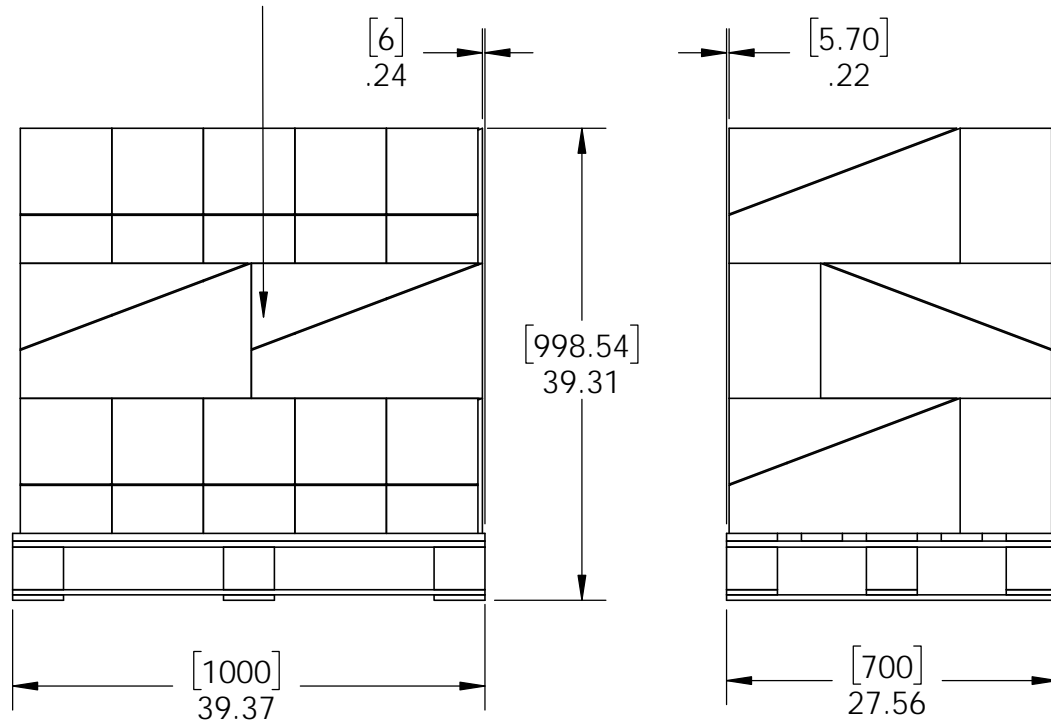


Weight: 0.04 LBS
Scale: 1:2
Last updated: 12/26/2015

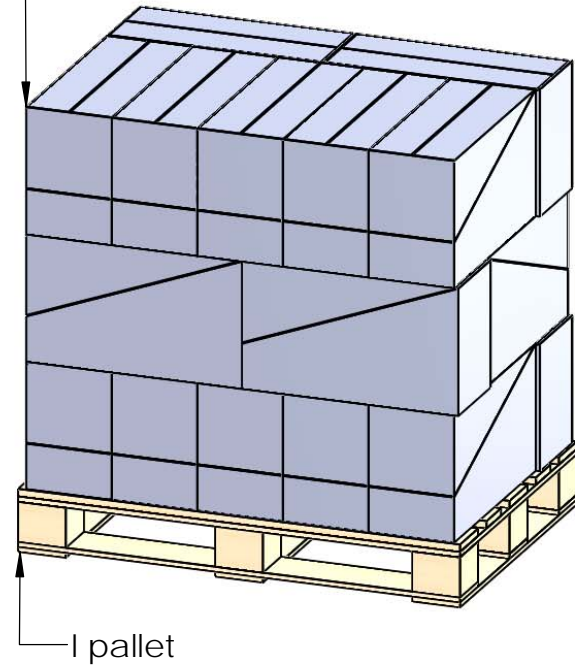
for additional details, see drawing 56621

V1.00 - Installation Instructions effective May 1, 2015 and reflects information that available as of April 10, 2014. This information is updated periodically and should not be relied upon after May 1, 2015. Please visit www.OZCOBP.com to get current information

ADD PALLET LABEL



Total number of cases: 21
 Total number of pieces:
 21x4=84 pieces on pallet



additional pallet packing instructions

- plywood on top layer
- strap to pallet
- clear wrap around boxes

Weight: 721 LBS
 Scale: 1:16
 Last updated: 12/26/2015

51718