

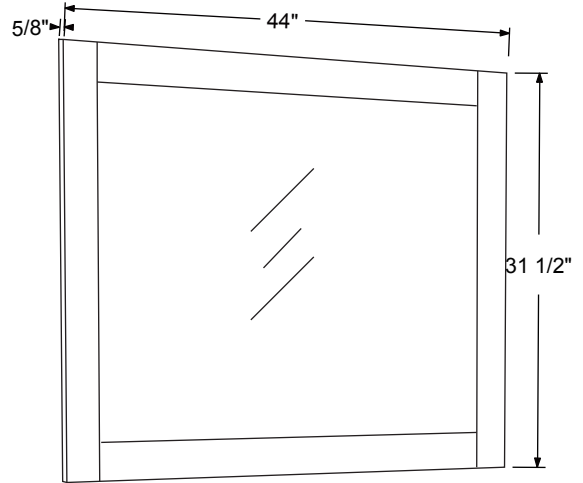
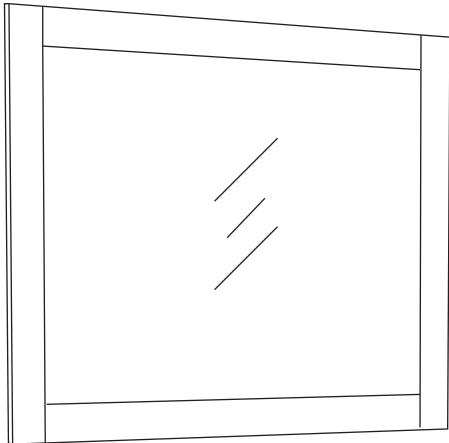


WS2448

INSTALLATION GUIDE



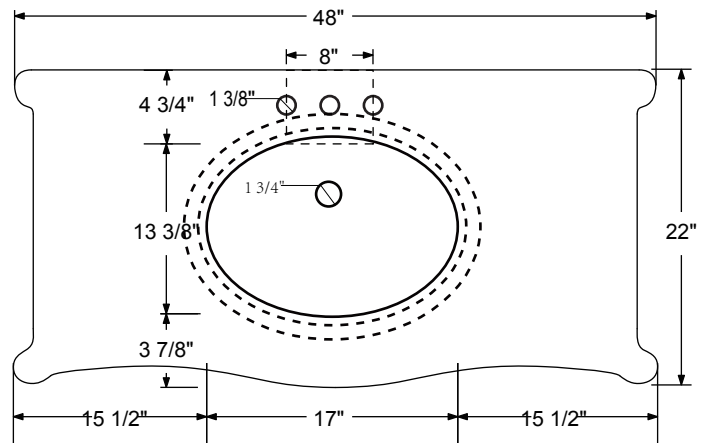
LEGION FURNITURE



Mirror



Vanity Ensemble



Sink

Note: All dimensions and specifications are approximate and subject to change without notice.



LEGION FURNITURE

WS2448

INSTALLATION GUIDE

PAGE 1



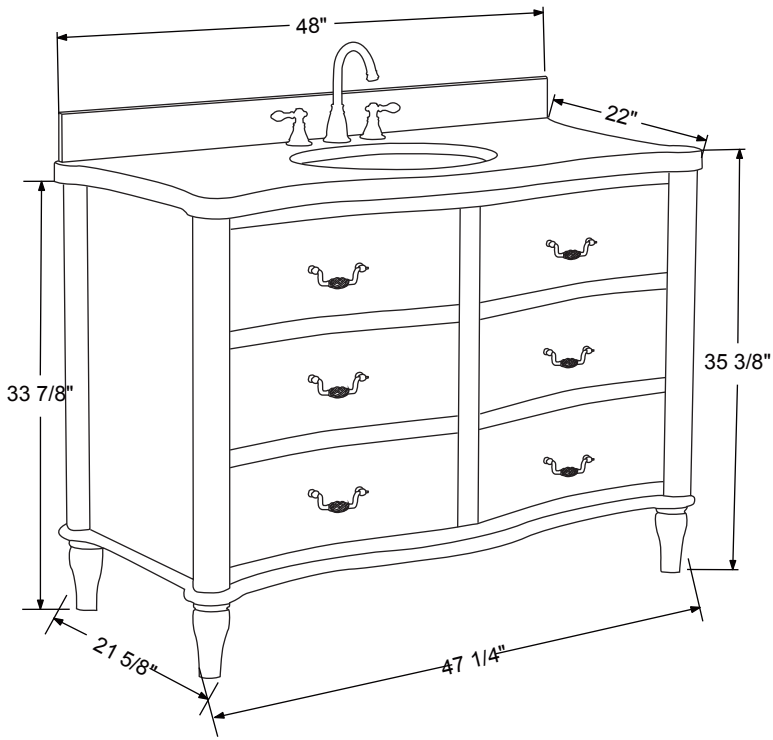
WS2448

INSTALLATION GUIDE

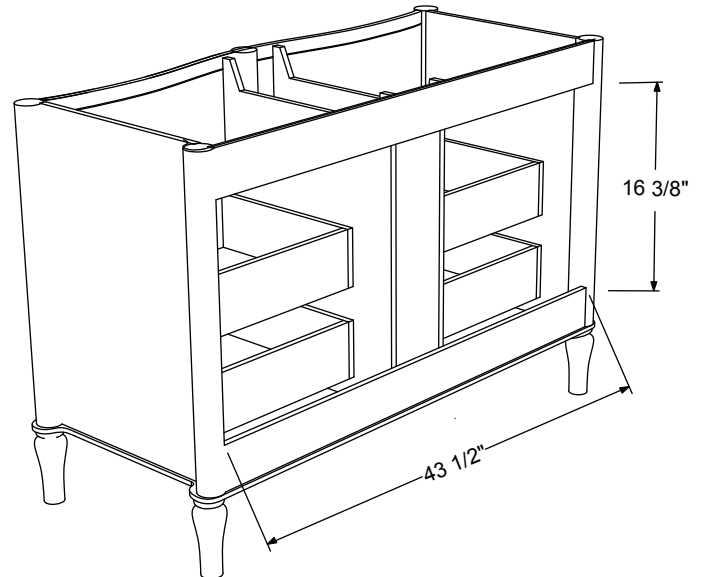


LEGION FURNITURE

Vanity Front



Vanity Back

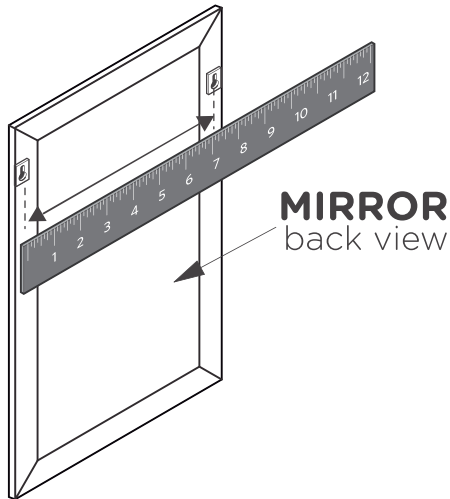


MIRROR INSTALLATION INSTRUCTION

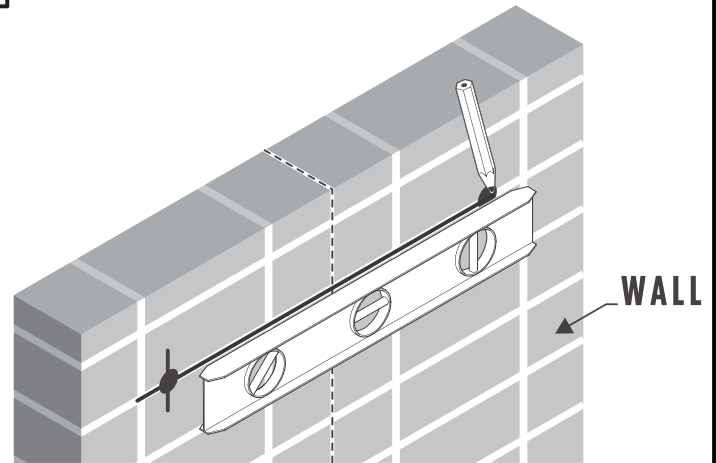
TOOLS FOR ASSEMBLY



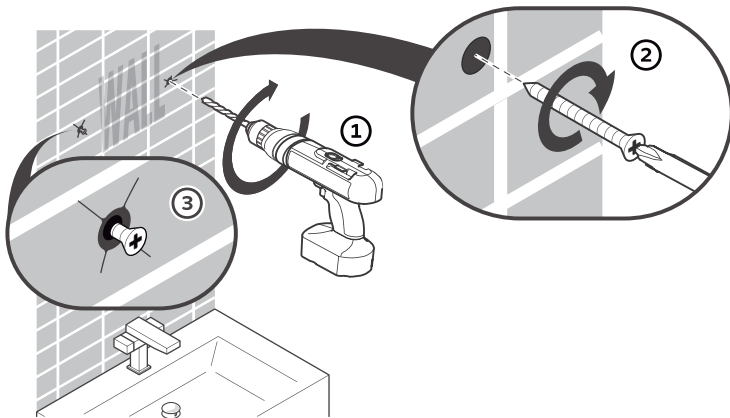
- 1** Measure the distance between the brackets on the back of the mirror



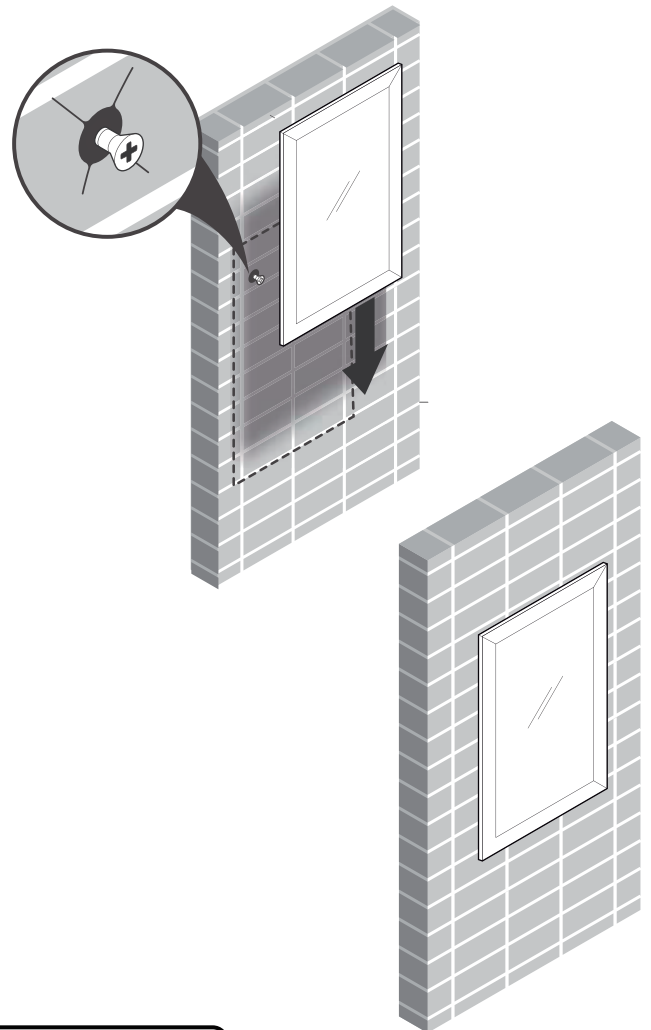
- 2** Mark the measured distance on the wall using a level



- 3** Once position is marked, drill 2 holes and insert anchors if stud is not available



- 4** Hang mirror on the wall



IMPORTANT:

CONSULT AN EXPERT FOR THE PROPER SCREWS/BOLTS TO USE WHEN ATTACHING TO VARIOUS WALL CONSTRUCTIONS. SCREWS PROVIDED **DO NOT** ATTACH TO ALL WALL CONSTRUCTION TYPES.



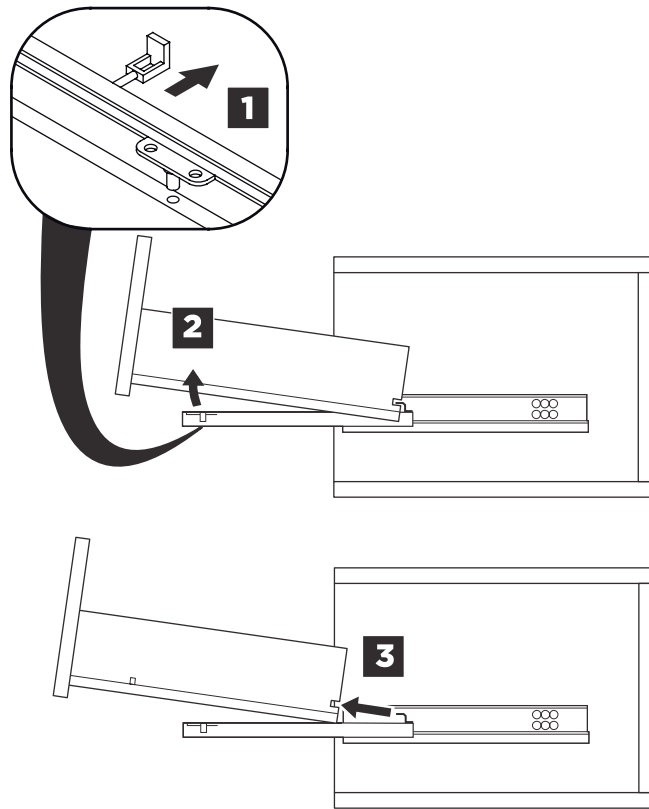
LEGION FURNITURE

WS2448

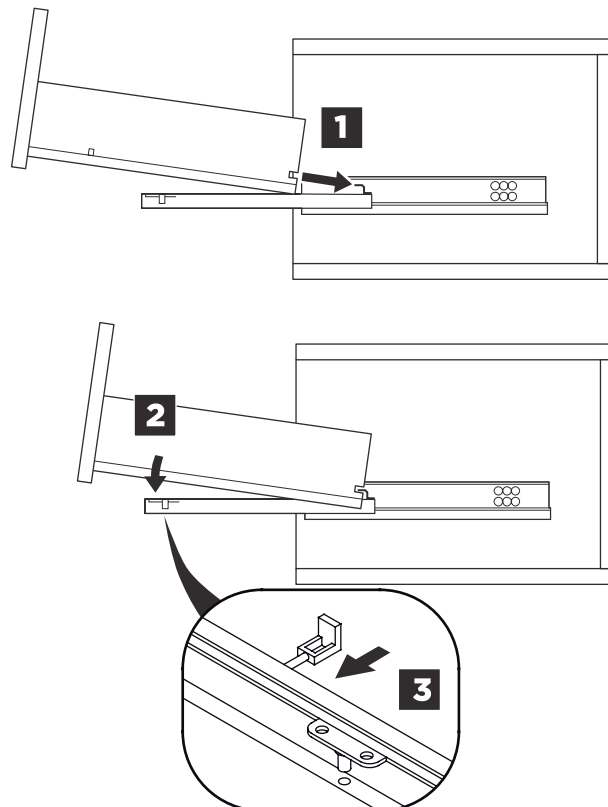
INSTALLATION GUIDE

PAGE 3

DRAWER REMOVAL



DRAWER INSTALLATION



INSTALLATION INSTRUCTIONS

1 Secure cabinet to the wall



2 Apply a bead of silicone on the top of the cabinet and place the sink on top



IMPORTANT:
Consult an expert for the proper screws/bolts to use when attaching to various wall constructions. Screws provided do not attach to all wall construction types.



LEGION FURNITURE

WS2448

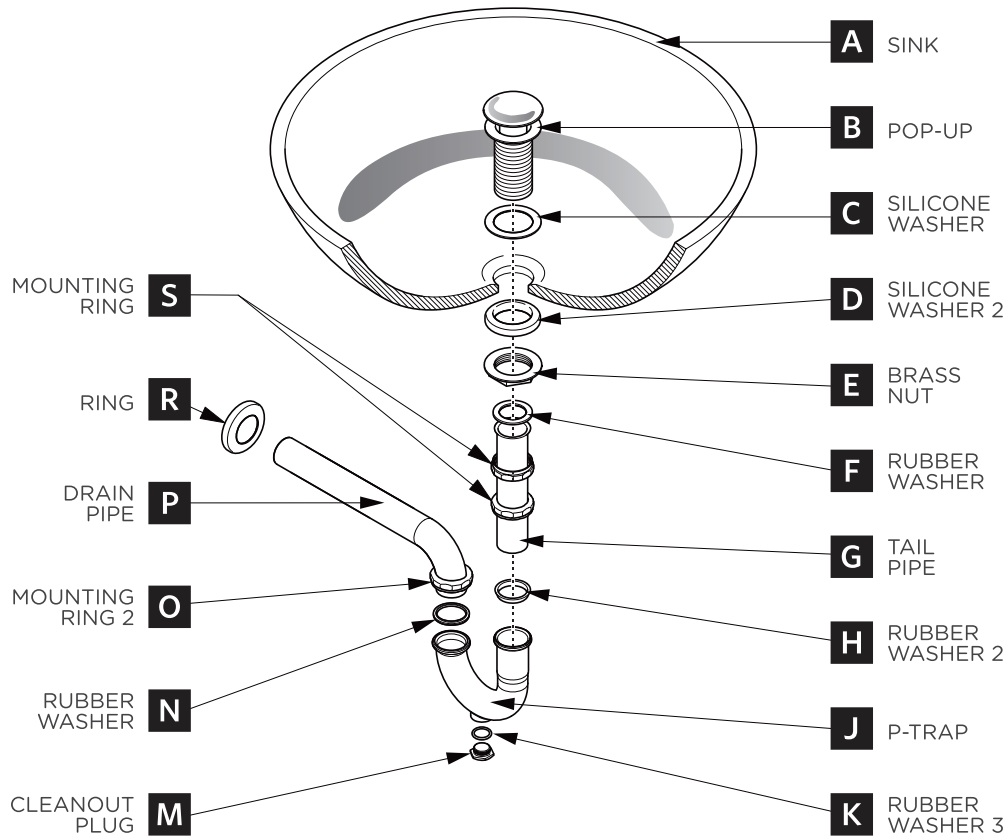
INSTALLATION GUIDE

PAGE 5

P-TRAP & POP-UP

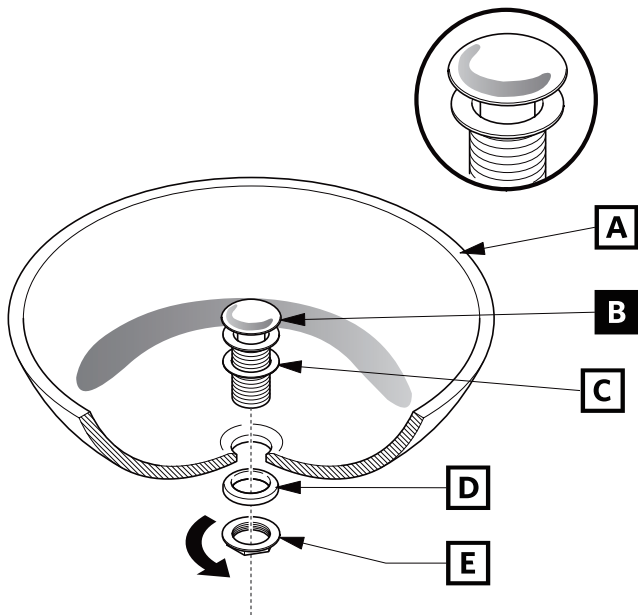
INSTALLATION INSTRUCTIONS

Your item may appear slightly different from the illustration.



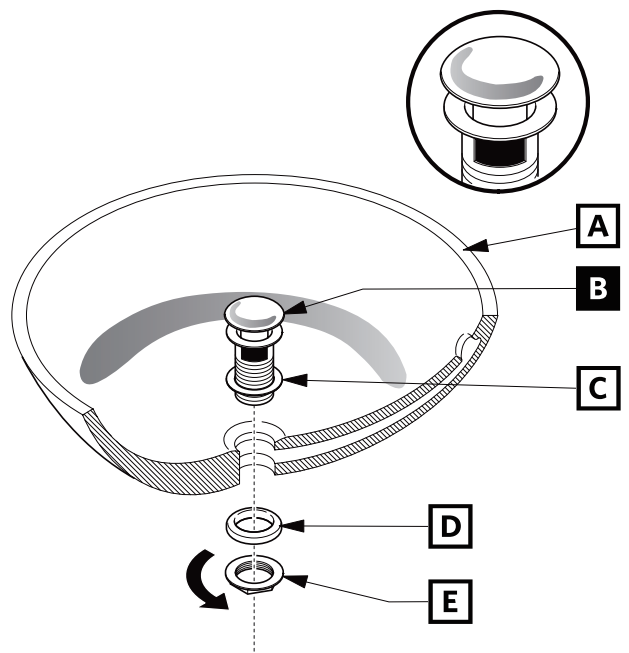
POP-UP INSTALLATION

FOR SINKS WITHOUT OVERFLOW



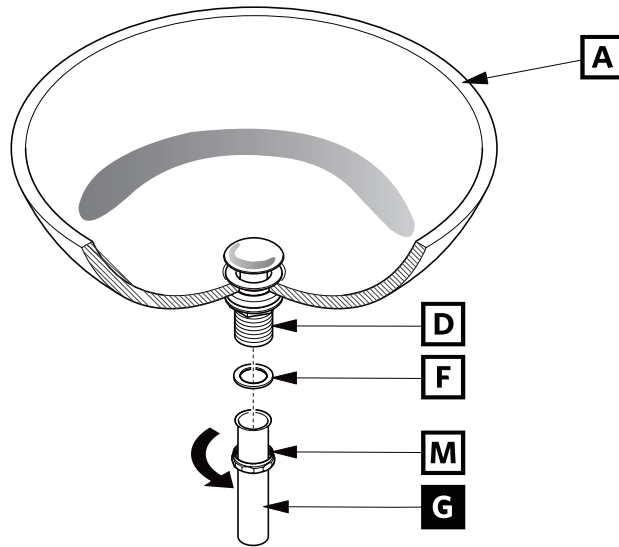
OR

FOR SINKS WITH OVERFLOW



P-TRAP INSTALLATION

1 Install tail pipe (G)



2 Install P-trap (J)

