

INSTALLATION INSTRUCTIONS



Country™ Kitchen Sink Model 9062.008

Thank you for selecting American Standard - the benchmark of fine quality for over 100 years. To ensure this product is installed properly, please read these instructions carefully before you begin. (Certain installations may require professional help.) Also be sure your installation conforms to local codes.

⚠ CAUTION: PRODUCT IS FRAGILE. TO AVOID BREAKAGE AND POSSIBLE INJURY HANDLE WITH CARE!
NOTE: Pictures may not exactly define contour of china and components.

⚠ CAUTION: Risk of personal injury or property damage.
Large vitreous china sinks are very heavy. Get help lifting the sink.

BEFORE YOU BEGIN...Unpack new sink and inspect carefully for damage. Replace the sink in its original packing carton to protect it until you are ready to begin installation.

RECOMMENDED TOOLS & MATERIALS

Putty Knife	Phillips Screwdriver	Tubing Cutter	Saber Saw
Pipe Wrench	Regular Screwdriver	Tape Measure	Various Carpentry Tools
Channel Locks	Adjustable Wrench	Hacksaw	Plumbers' Putty or Caulking
Drill	Basin Wrench		

PRODUCT REQUIREMENTS

Due to the special nature of this installation, American Standard recommends that an experienced cabinet maker build the new cabinet or modify an existing cabinet to achieve a satisfactory installation.

To ensure proper fit of the sink in the cabinet, we suggest you provide the cabinet maker with the actual sink that will be installed. A wood support frame must be constructed to support 300 lbs. (136kg). Follow all framing instructions exactly.

NOTES

The cabinet designs illustrated below are intended as suggestions only. Your specific installation requirements may vary from those shown.

CABINET DESIGN

All illustrations in this manual assume installation with a standard, 24" (610mm) countertop. Other countertop sizes may also be used.

S
A
V
E

F
O
R

F
U
T
U
R
E

U
S
E



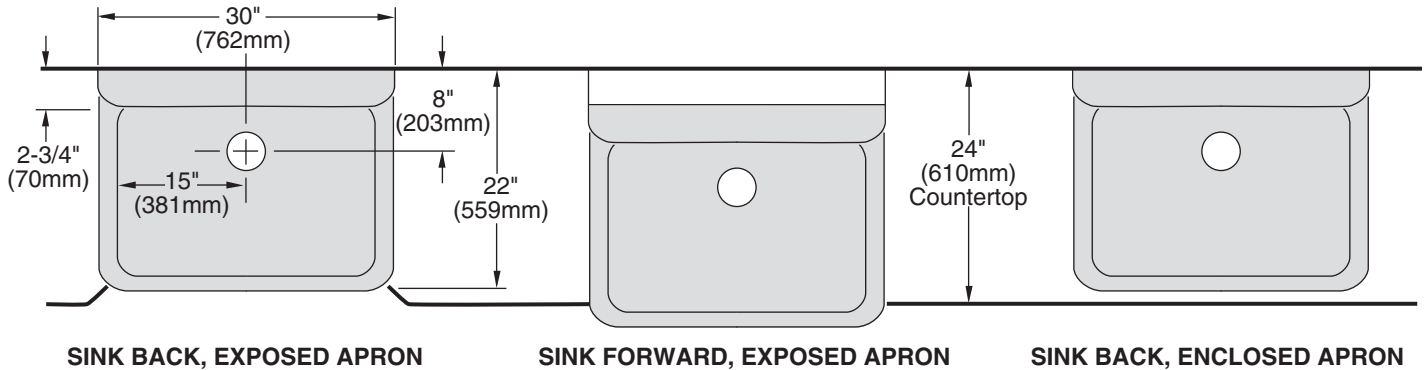
Product names listed herein are trademarks of AS America, Inc.
© AS America, Inc. 2016

730741-100 Rev B

SINK DIMENSIONS AND INSTALLATION POSITION

Before proceeding, determine whether or not the sink will be installed with the front apron exposed. Other basic cabinet design options are shown below for your convenience.

The sink may either be set back against the finished wall, positioned so the sink front rim flange extends from the front of the cabinet, or positioned so the sink front apron is enclosed. Be certain to plan for faucet supply lines and sink drain line.



SINK BACK, EXPOSED APRON

SINK FORWARD, EXPOSED APRON

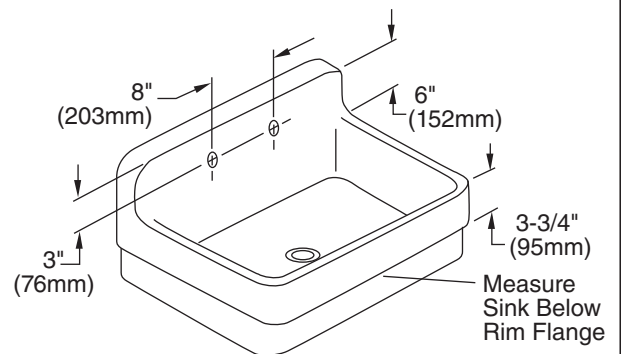
SINK BACK, ENCLOSED APRON

1

MEASURE ACTUAL SINK

Measure the actual size of the sink below the rim flange. The cabinet opening should equal the sink dimensions to ensure a minimum gap between the sink apron and the cabinet.

If the sink is not available at the time of cabinet and support frame construction, make allowances to add wood filler strips or spacers to the cabinet opening after you install the cabinet, and before you install the sink.



2

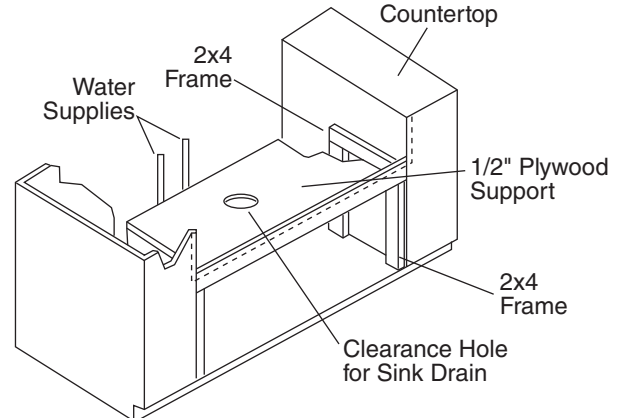
CONSTRUCT CABINET AND SUPPORT FRAME

Carefully measure and sketch the cut-out area according to the measurements taken from the actual sink. Cut out the countertop.

Construct a wood support frame inside the cabinet opening. Use 2 x 4 lumber and 1/2" plywood. Provide adequate clearance for water supplies between the support and the finished wall. Locate and cut a hole for the drain.

Route the water supply lines and drain piping.

Clean the countertop around the cutout.



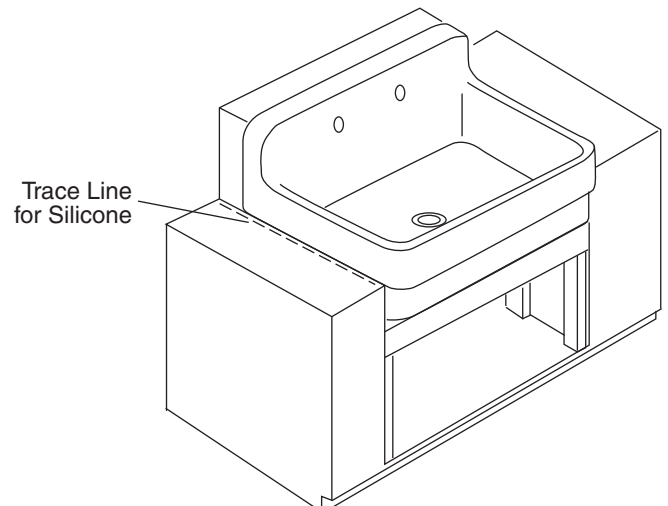
3

TEMPORARILY INSTALL SINK



CAUTION: Risk of personal injury or property damage. Large vitreous china sinks are very heavy. Get help lifting the sink.

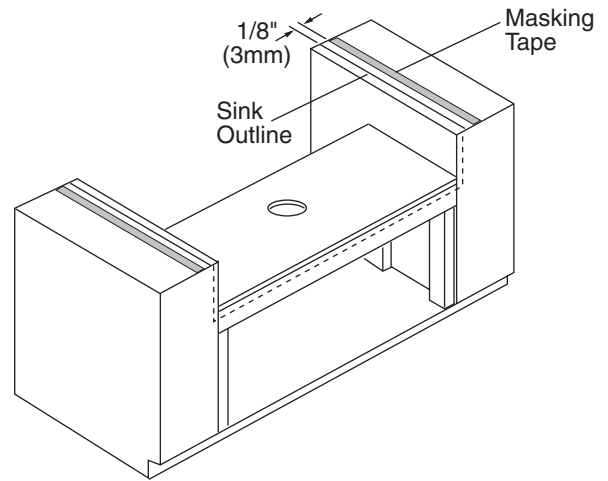
Check for alignment and clearance, then trace around the outside edge of the sink as a guide for installation location and application of sealant. Remove sink.



4

MASK COUNTERTOP

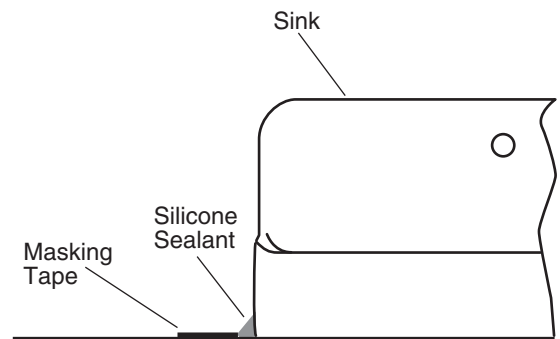
Apply a masking tape outline 1/8" (3mm) outside traced sink outline as a guide for application of silicone.



5

INSTALL SINK

Apply a generous portion of silicone sealant inside line traced on countertop. Carefully lower sink into place and press down firmly. Use guidelines for proper positioning. Using water to dampen your finger, remove excess sealant for a smooth even line. Apply additional sealant if necessary to provide a uniform bead from the rim of sink to the masking tape line as shown. Carefully remove tape. Dampen finger and run it lightly over the sealant to remove any high spots.



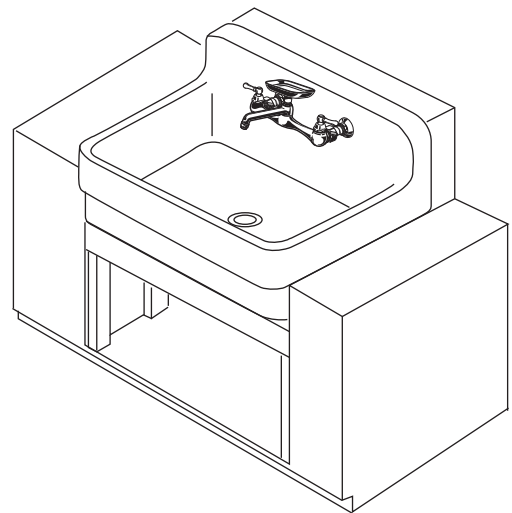
6

MOUNT FITTINGS

Mount the faucet and drain assembly on the sink following the manufacturer's instructions.



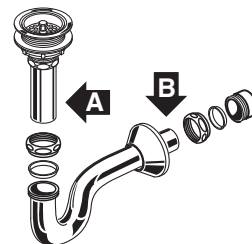
CAUTION: Risk of personal injury or product damage. Handle with care. Vitreous china can break or chip if the fittings are overtightened, or if the product is handled carelessly.



7

Connect drain assembly hand tight to check alignment. It may be necessary to cut off part of the tailpiece (area "A") or part of the horizontal leg of the trap (area "B").

Secure joint for water tight assembly.



AS AMERICA, INC. ONE YEAR LIMITED WARRANTY

If inspection of this AS America, Inc. ("American Standard") plumbing product, within one year after its initial purchase, confirms that it is defective in materials or workmanship, American Standard will repair or, at its option, exchange the product for a similar model.

This limited warranty applies only to the original purchaser and installation of these products. In the event of a limited warranty claim, proof of purchase will be required—save sales receipt.

This limited warranty does not apply to local building code compliance. Since local building codes vary considerably, the purchaser of this product should check with a local building or plumbing contractor to insure local code compliance before installation.

This limited warranty is void if the product has been moved from its initial place of installation; if it has been subjected to faulty maintenance, abuse, misuse, accident or other damages; if it was not installed in accordance with American Standard's instructions; or if it has been modified in a manner inconsistent with the product as shipped by American Standard.

American Standard's option to repair or exchange the product under this limited warranty does not cover any labor or other costs of removal or installation. **IN NO EVENT WILL AMERICAN STANDARD BE LIABLE FOR THE COST OF REPAIR OR REPLACEMENT OF ANY INSTALLATION MATERIALS, INCLUDING BUT NOT LIMITED TO, TILES, MARBLE, ETC.** American Standard will not be responsible for any other incidental or consequential damages attributable to a product defect or to the repair or exchange of a defective product, all of which are expressly excluded from this limited warranty. This limited warranty does not cover any liability for consequential or incidental damages, all of which are hereby expressly disclaimed, or the extension beyond the duration of this limited warranty of any implied limited warranties, including those of merchantability or fitness for an intended purpose. (Some states or provinces do not allow the exclusion or limitation of implied limited warranties, so this exclusion may not apply to you.)

This limited warranty gives you specific legal rights. You may have other statutory rights that vary from state to state or from province to province, in which case this limited warranty does not affect such statutory rights.

In the United States:

American Standard Brands
P.O. Box 6820
Piscataway, New Jersey 08855
Attention: Director of Customer Care
For residents of the United States, warranty information may also be obtained by calling the following toll free number: (800) 442-1902
www.americanstandard.com

In Canada:

AS Canada, ULC
5900 Avebury Rd.
Mississauga, Ontario
Canada L5R 3M3
Toll Free: (800) 387-0369
www.americanstandard.ca

In Mexico:

American Standard B&K Mexico
S. de R.L. de C.V.
Via Morelos #330
Col. Santa Clara
Ecatepec 55540 Edo. Mexico
Toll Free: 01-800-839-1200
www.americanstandard.com.mx

THIS WARRANTY IS NOT TRANSFERABLE FROM ORIGINAL CONSUMER PURCHASER.