

# COMPACT COLLECTION

User manual

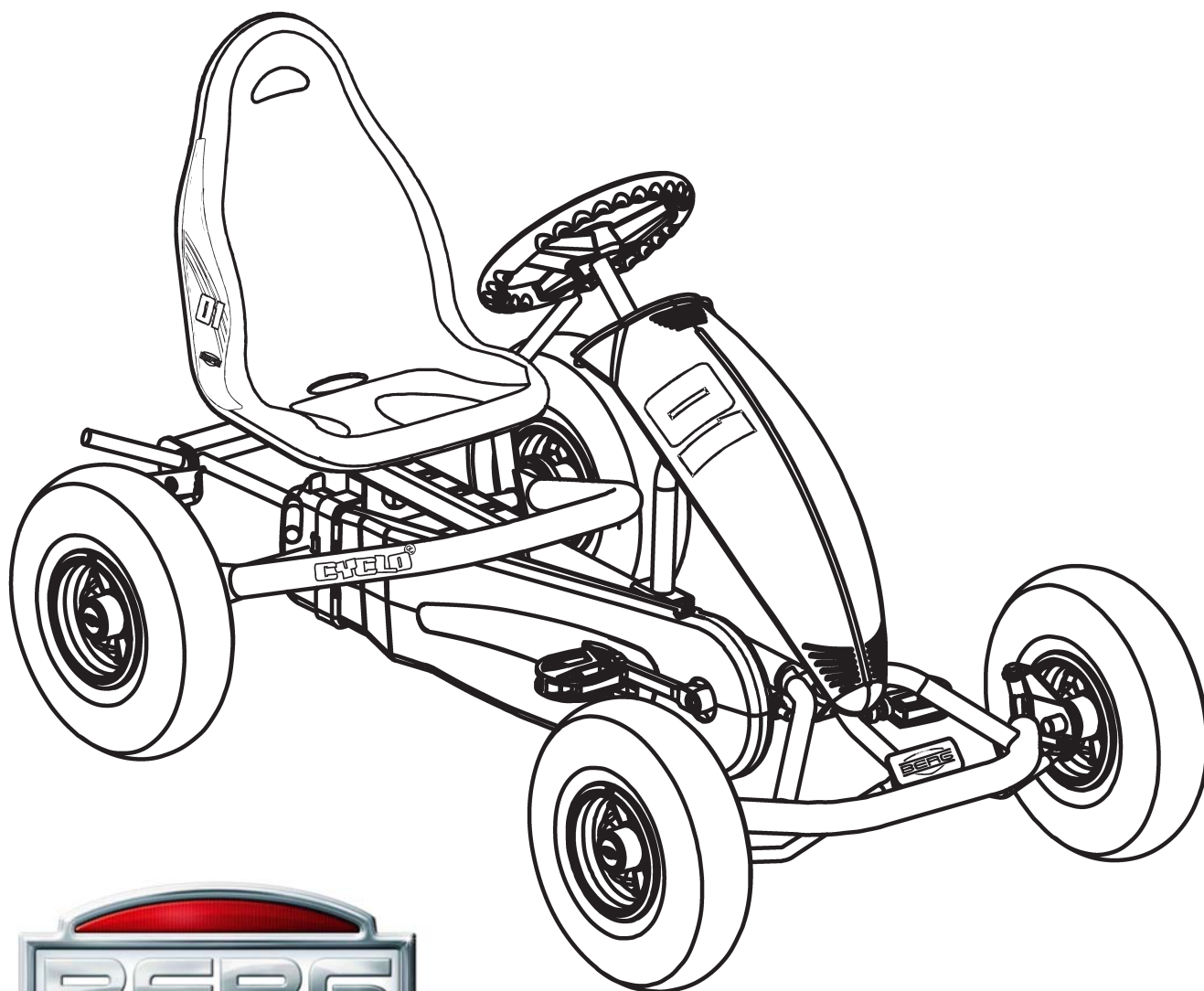
Gebrauchsanweisung

Gebruikshandleiding

Mode d'emploi

Manual de usuario

Istruzione per l'uso

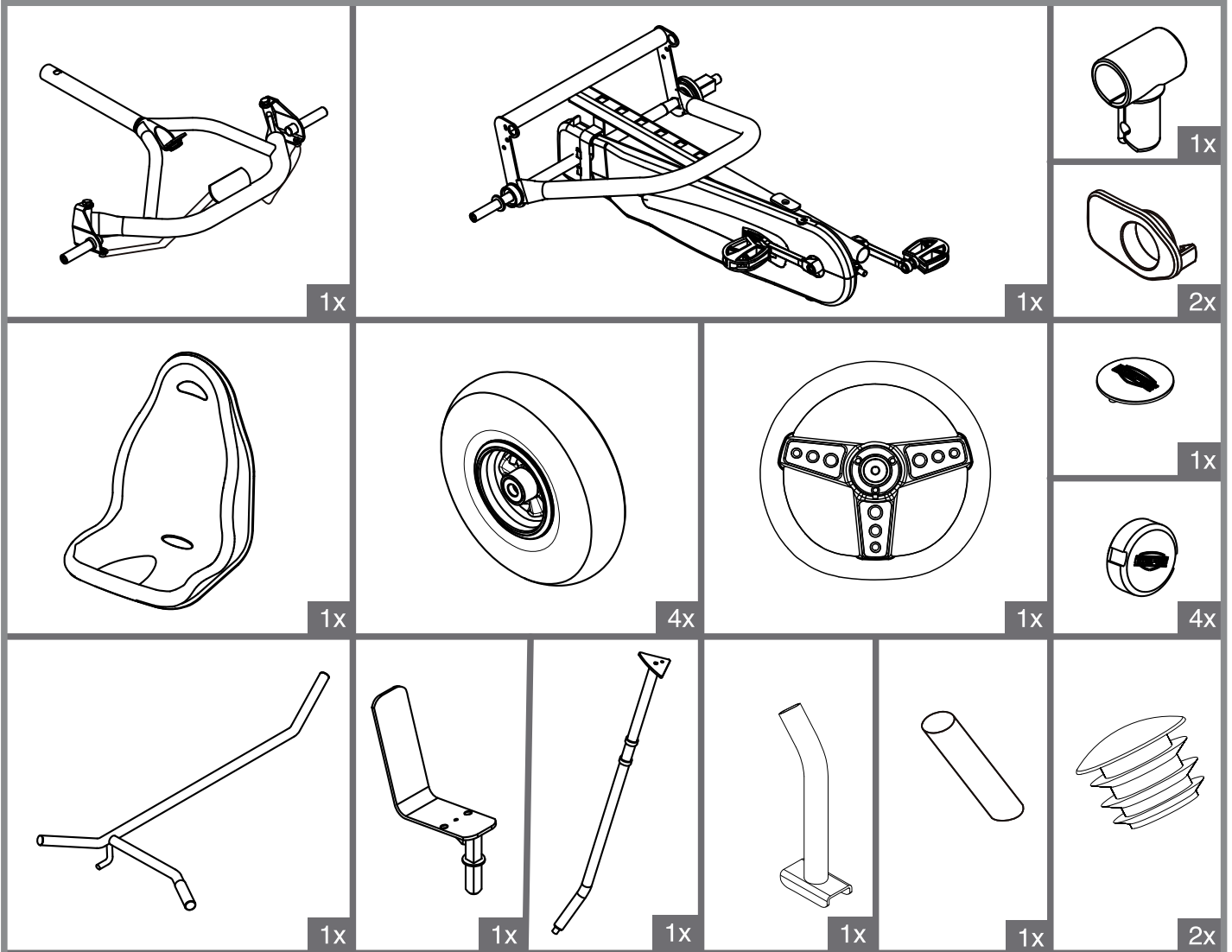




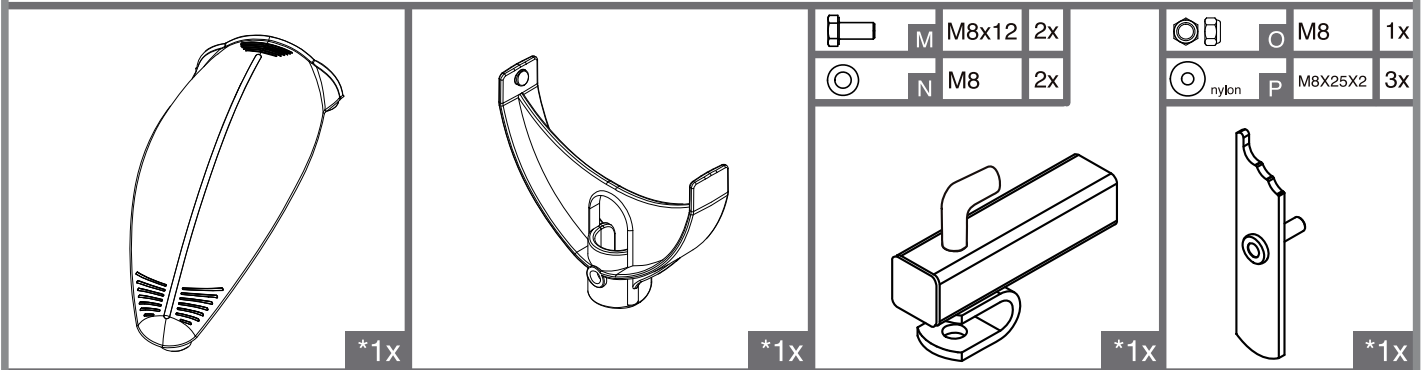
# COMPACT COLLECTION



# COMPACT COLLECTION



\*optional, optional, optioneel, optionnelle, opcional, facoltativo



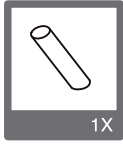
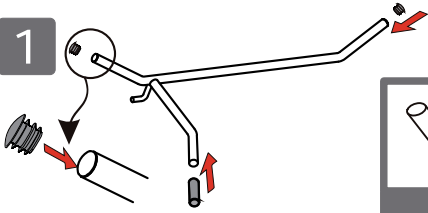
	M	M8x12	2x		O	M8	1x
	N	M8	2x		P	M8x25x2	3x



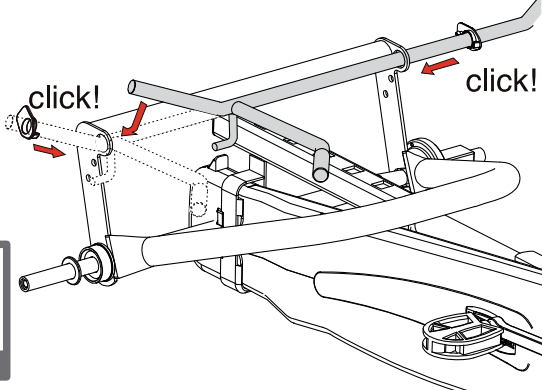
	A	M12x65	1x		E	M8x35	1x		I	M8	1x		X		M8	1x
	B	M10x16	4x		F	M10x30	4x		J	M8x24x2	1x					
	C	M8x12	1x		G	nylon 12.2x24x1.3	2x		K	M8x28x3	1x					
	D	M8x25	1x		H	nylon 25.2x40x1.7	1x		L	M12	1x					



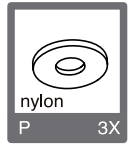
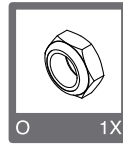
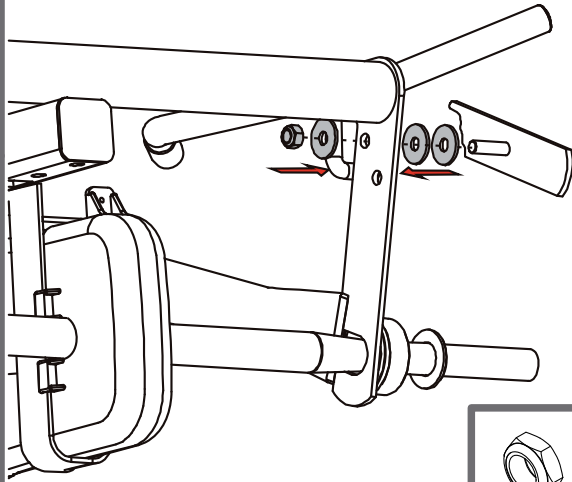
1



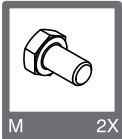
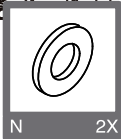
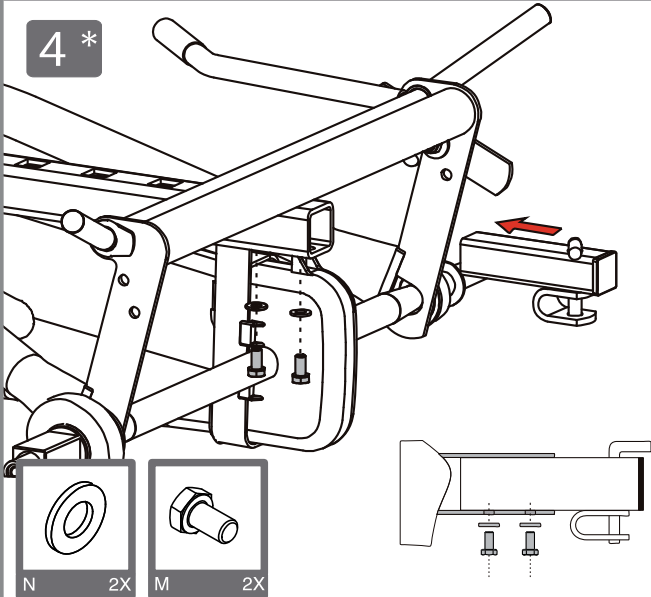
2



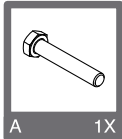
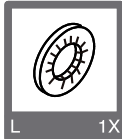
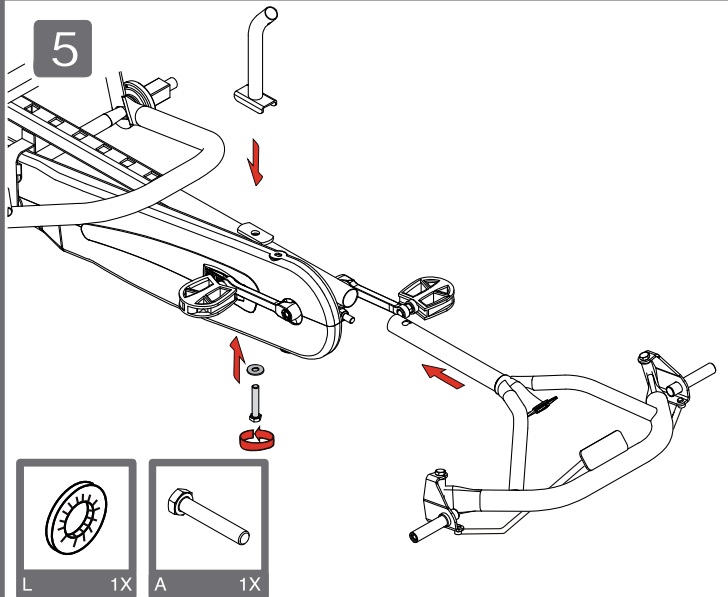
3\*



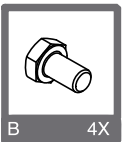
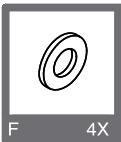
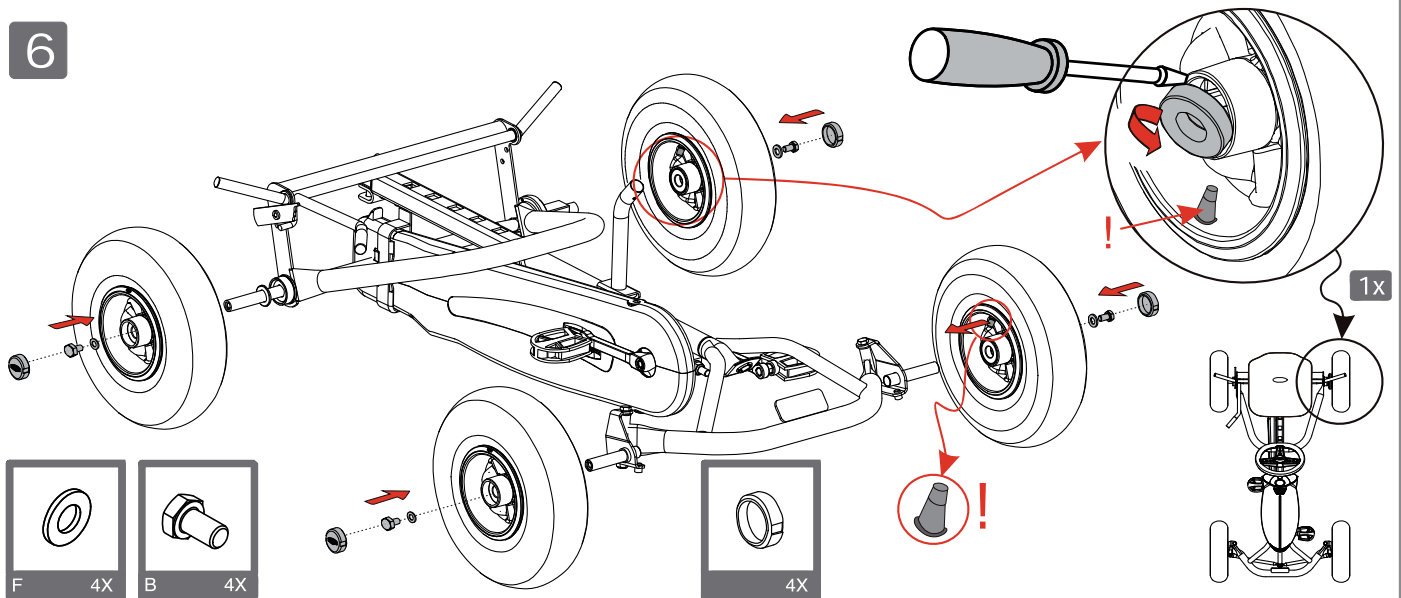
4\*



5

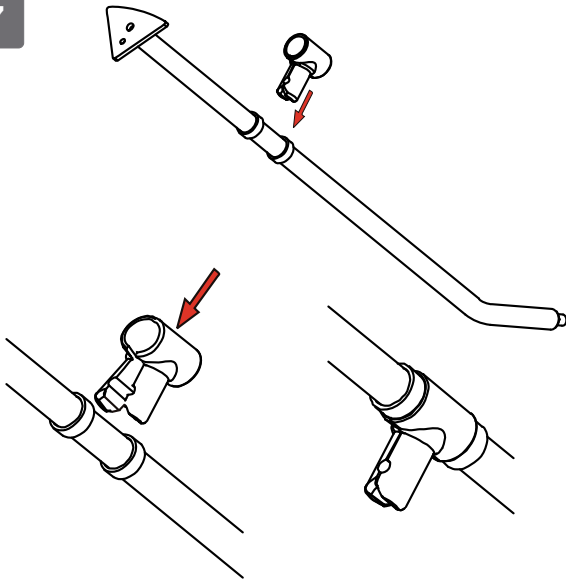


6

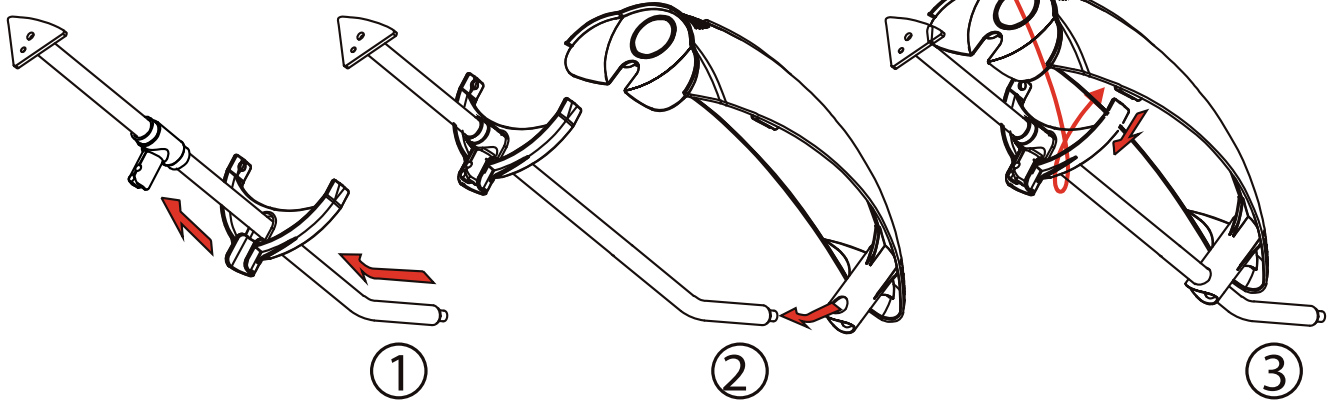
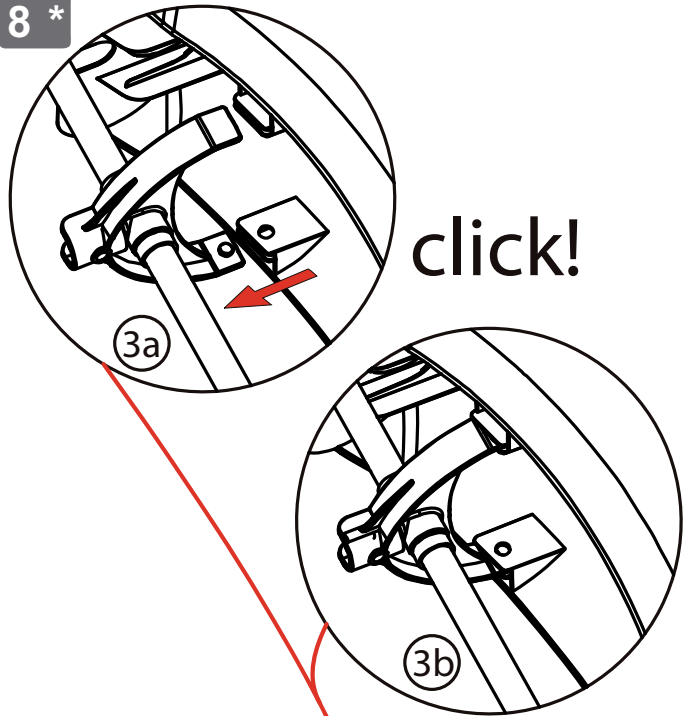




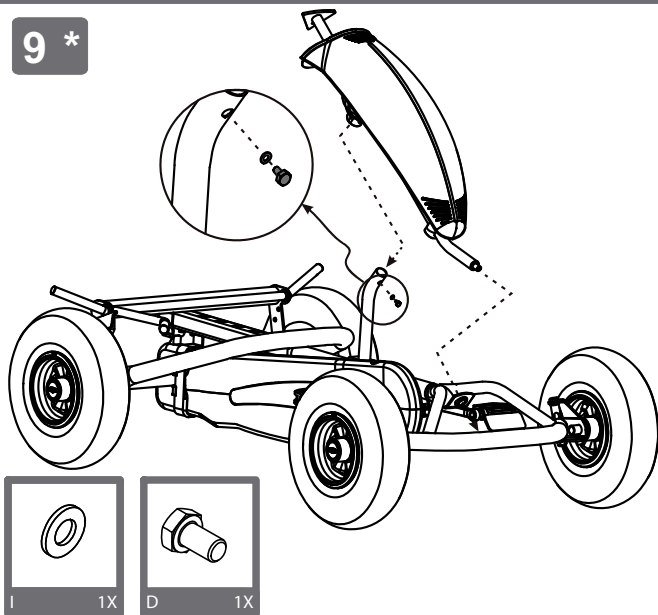
7



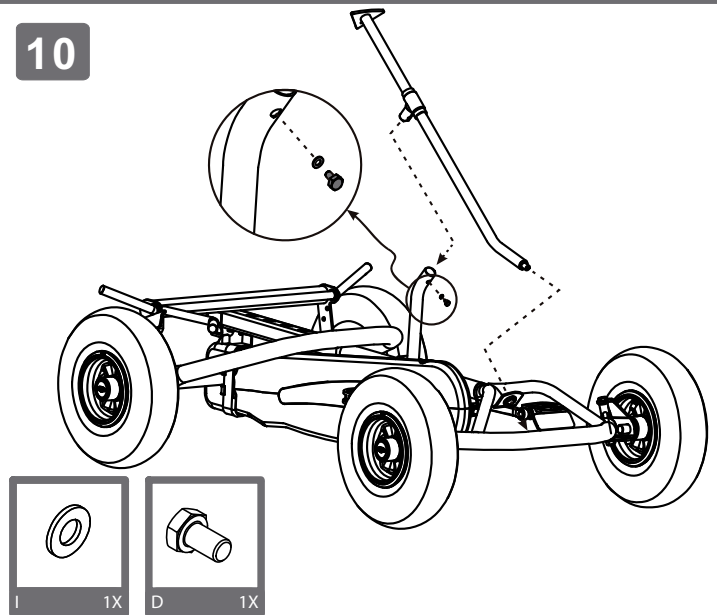
8 \*



9 \*

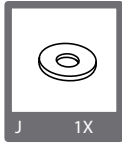
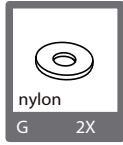
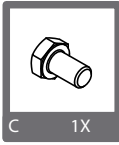
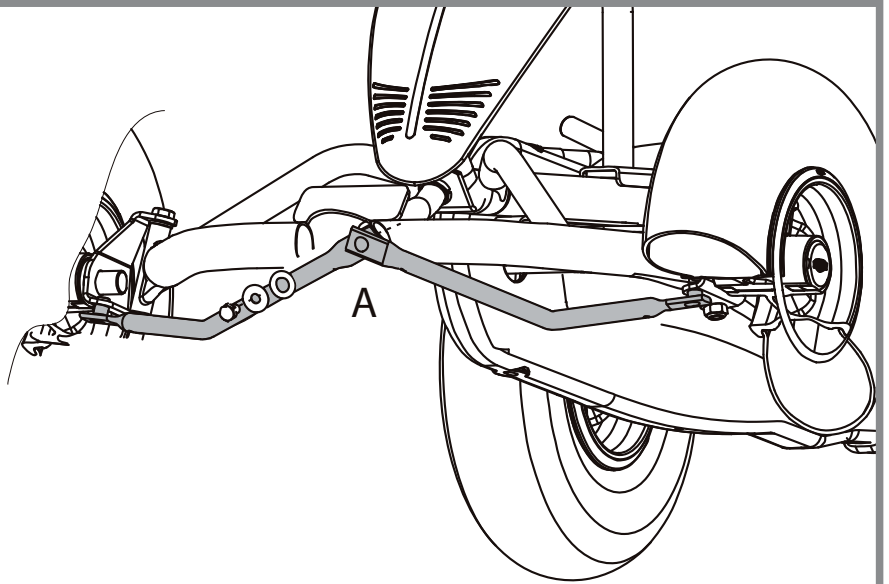
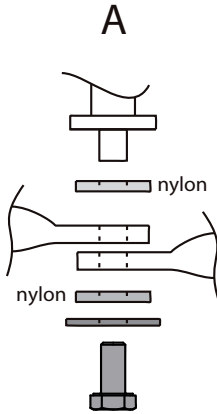


10

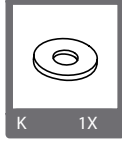
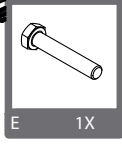
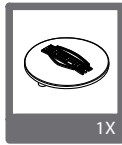
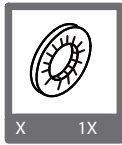
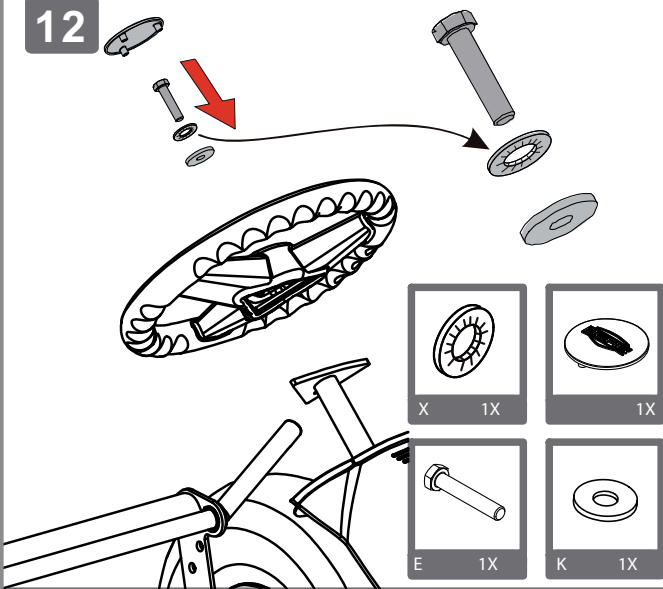




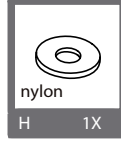
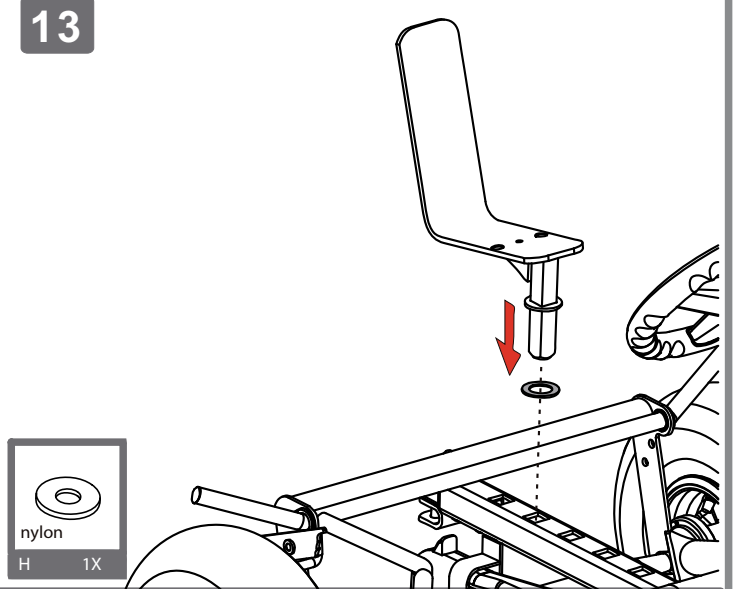
11



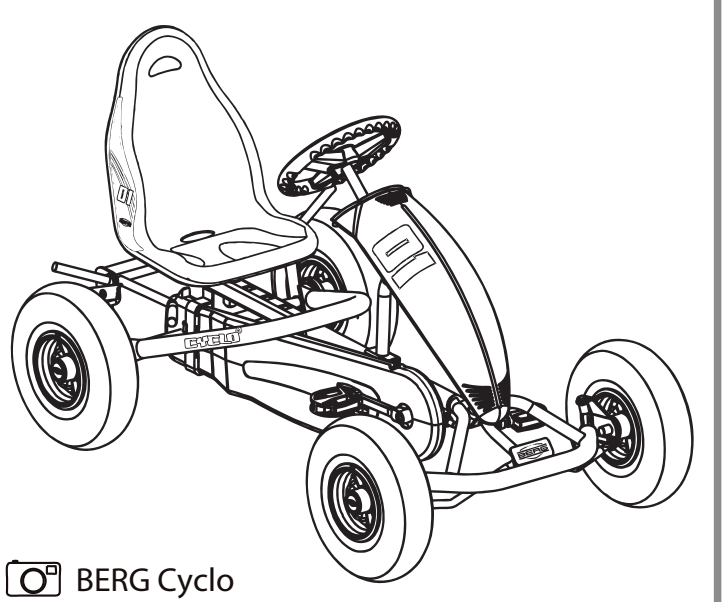
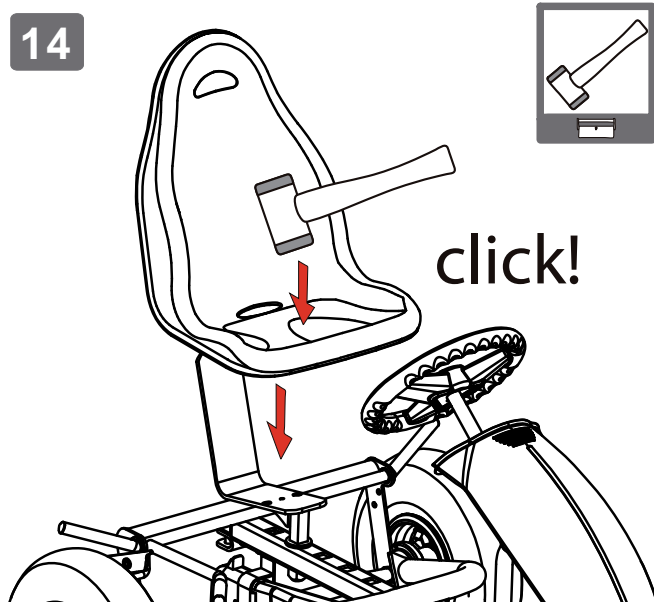
12



13



14



English

EN

Deutsch

D

Nederlands

NL

Français

F

Espagnol

ES

Italiano

IT



# COMPACT COLLECTION



English

EN

## Introduction

Congratulations on purchasing your BERG pedal go-kart.

BERG Toys does everything it can to design and manufacture a sturdy and safe product. By choosing to buy a BERG pedal go-kart, you can expect to have many years of enjoyment and pleasure with it. Owning a BERG Pedal go-kart is something to be truly delighted about. BERG pedal go-karts will last for a very long time, but will require a little care and maintenance from time to time. This user manual provides you with instructions for carrying out this maintenance. If you follow these instructions, you can be assured of a tough, robust toy that will last you for many years. You can carry out much of the maintenance work yourself. But if you have any major repairs that need doing, your BERG Toys dealer is the place to go. They have all the knowledge required, as well as the correct tools and equipment.

Visit our Homepage at [www.bergtoys.com](http://www.bergtoys.com) to find out more about BERG Toys and see our products. Of course, you can also tell us about your experiences with BERG Toys and how you have got on with our products. Simply send an e-mail to [info@bergtoys.com](mailto:info@bergtoys.com). We would also like to hear about any suggestions you may have for improving our products, as well as other comments and suggestions.

Due to constant development we reserve the right to change the product specifications without prior notification.

# Contents

## I. Instructions for use

- 1. Safety
  - 1.1 Brakes
  - 1.2 Tyre pressure
  - 1.3 Steering
  - 1.4 Accessories
    - 1.4.1 Passenger seat
    - 1.4.2 Trailers
- 2. Rules of use
- 3. Accessories

## II. Maintenance

- 4. Maintenance schedule
- 5. Maintenance works
  - 5.1 Frame
  - 5.2 Wheels, tyres
  - 5.3 Steering
  - 5.4 Drive mechanism
    - 5.4.1 Chain
    - 5.4.2 Crank arm as part of 'running in' a new pedal go-kart.
  - 5.5 Plastic parts

## III. Warranty

- 6. Warranty periods
- 7. Warranty terms and conditions
- 8. Warranty certificate

# I. Instructions for use

## 1. Safety

BERG pedal go-karts are classified as toys. This means that BERG pedal go-karts are not allowed on public roads. All BERG pedal go-karts have CE and TÜV / GS approval marks. Children (under the age of 12) are only allowed to ride on a BERG pedal go-kart under the supervision of an adult. BERG Toys can not be held liable for any incomplete information in this user's guide. Always take the highest possible safety precautions for yourself. Please contact your dealer if you have any questions or doubts.

### 1.1 Brakes

Every model of the BERG pedal go-kart has a hand-brake. Whether or not a parking-brake is attached depends on the model or may be obtained as an optional extra. The brakes on every pedal go-kart are applied by pulling up the brake lever located on the right-hand side of the seat. The hand-brake activates the brakes on the rear wheels. The parking brake is set by pulling up the brake lever and placing the metal blocking. If a parking brake is fitted, always set it when dismounting from the pedal go-kart. If strip beneath it. there is no parking brake, make sure that the pedal go-kart cannot run away, for example by parking the pedal go-kart with the steering set to the right or left.

### 1.2 Tyre pressure

Before riding on your pedal go-kart, make sure that the tyre pressure complies with safety standards (1-1.5 bar/14-22psi). The way the brakes and steering operate depends on having the correct tyre pressure.

### 1.3 Steering

Before riding on your pedal go-kart, make sure that the steering is operating smoothly. If it is not, you will have to fix the problem first. Instructions for doing this are contained in the section on maintenance.

### 1.4 Accessories

If there are any accessories attached to your BERG pedal go-kart, this will have an effect on safety. The following accessories are explained:

#### 1.4.1 Passenger seat

The passenger seat is an accessory that can be attached to the pedal go-kart. Make sure that you comply closely with the weight conditions indicated. See the passenger seat manual for details of the weight conditions. If these weight conditions are exceeded, there is a danger of the pedal go-kart overturning. When getting on to the pedal go-kart, the passenger should get on last. When getting off the pedal go-kart, the passenger should get off first. Always attach the passenger seat with the parking brake set.

### 1.4.2 Trailers

When a trailer is attached to the BERG pedal go-kart, remember that this makes the braking distance longer. BERG Toys trailers may not be attached to the pedal go-kart on steep inclines. The maximum weight of a trailer that may be attached behind the pedal go-kart depends on the weight of the driver. As a rule, this means that the trailer and its load should not be heavier than the pedal go-kart and driver. For the maximum loading weight of the trailer, see the trailer manual. When a tow-hook is fitted for a trailer, always fit a parking brake as well.

## 2. Rules for use

- Before you use the pedal go-kart, check to make everything is working as it should.
- Children may only drive a pedal go-kart under supervision.
- BERG pedal go-karts may not be used on public roads. Drive at the appropriate speed, depending on the situation. There is a danger of overturning when driving on a slope. Considerable speeds can be achieved when going downhill, so remember that this makes the braking distance longer!
- Do not take sharp bends at high speed as there is a danger that you will overturn.
- Always pay attention to what is going on around you.
- Do not reverse at high speed. If you do, you may lose control of the steering.
- There is a danger of the front wheels leaving the ground if you brake while reversing quickly.
- Do not drive a pedal go-kart under the influence of alcohol or medication that may have a negative effect on your ability to observe what is going on around you or on your reflexes.
- Collisions and other stunts increase the chance of injuring yourself and damaging the pedal go-kart. If any damage is caused in this way, BERG Toys cannot be held liable.
- If your pedal go-kart is equipped with an automatic freewheel (AF), do not pedal backwards when the pedal go-kart is moving forwards.
- Always use the hand-brake to slow down. The hand-brake operates on 2 wheels.
- Do not place any unnecessary objects on or over the brake lever or steering. Make sure that the brakes and steering can always operate properly before riding.
- Clothing and limbs can become jammed in rotating or pivoting parts.
- Avoid wearing loose, trailing clothing, such as a scarf or dangling shoelaces. These can get caught in moving parts and cause an accident.
- Avoid contact with the wheels when you are driving the pedal go-kart.
- The catalog gives guidelines about age categories. The driver is responsible for deciding whether the BERG Pedal go-kart is the right size for him or her. Whenever going for a ride, make sure that the driver's seat is in the

correct position in relation to the pedals so that the pedal go-kart can be driven safely.

- Do not get on or off the pedal go-kart when it is moving.
- Do not overload the pedal go-kart.
- Do not drive in the dark without lights.
- If a protective cap is removed for maintenance, always replace it properly before using the pedal go-kart again.
- When parking your pedal go-kart, always set the brake with the brake, if there is one.
- If there is no parking brake, make sure that the pedal go-kart cannot run away, for example by parking the pedal go-kart with the steering set to the right or left.

### 3. Accessories

If you attach any accessories, these should be BERG original accessories only. If required, ask your BERG dealer for advice about how to fit accessories. In addition to its large accessories, BERG Toys also has a range of small accessories that you can use to personalise your BERG Pedal go-kart the way you want. You can find all the accessoires at [www.bergtoys.com](http://www.bergtoys.com).



## II. Maintenance

To be able to ride around in safety and enjoy your BERG pedal go-kart for many years, a little care and maintenance is required. This section talks about how often maintenance needs to be carried out. There is then a short description of how the maintenance work should be done.

### 4. Maintenance schedule

Description	Daily	Monthly	6 Months	Annually
<b>Frame</b> <ul style="list-style-type: none"> <li>• Clean.</li> <li>• Check that all the nuts and bolts are firmly tightened.</li> </ul>		✓		
<b>Wheels, tyres</b> <ul style="list-style-type: none"> <li>• Check for tyre damage.</li> <li>• Check for tyre pressure (between 1 and 1.5 bar).</li> </ul>	✓			
<b>Steering</b> <ul style="list-style-type: none"> <li>• Check all bolts.</li> <li>• Check for damage and wear.</li> </ul>		✓		
<b>Drive mechanism</b> <ul style="list-style-type: none"> <li>• Check chain tension and grease if required.</li> </ul>		✓		
<b>AF automatic freewheel (optional)</b> <ul style="list-style-type: none"> <li>• Clean and grease.</li> <li>• Check for damage.</li> </ul>			✓	
<b>Plastic parts</b> <ul style="list-style-type: none"> <li>• Clean</li> <li>• Check for damage.</li> </ul>				✓

### 5. Maintenance works

#### 5.1 Frame

The frame is powder-coated. This means it has a hard coat of paint. To prevent rust from forming, it is important to clean the frame regularly. If you want to preserve the frame with grease, use acid-free products only. You can touch up small areas of damage with paint. Your dealer will have the correct paint to use.

#### 5.2 Wheels, tyres

Check the wheel rims and tyres regularly for damage (nicks, cuts, cracks and bulges). NB: damaged rims and tyres may lead to accidents! Tyre pressure is a minimum of 1 bar/14 psi and a maximum of 1.5 bar/22psi (remember that pressure increases with high temperatures). Your pedal go-kart will run smoothly and freely when the tyres are at the correct pressure. When the tyre pressure is too low, the tyres puncture more easily and there will be excessive wear. When the tyre pressure is too high, the tyre may pop off the rim. This can be dangerous. Remember that fierce sun and high temperatures cause the tyre pressure to increase. Tyres should not come into contact

with oil, grease and fuel. Make sure that the tyre valve caps are always in place on the valves.

### 5.3 Steering

The steering mechanism must be checked every month on the following points:

- Breakage, wear and / or damage to all parts of the steering mechanism.
- The bolts are firmly in place.
- Check  $X = Y - 5\text{mm}$  (see Fig 5.1).

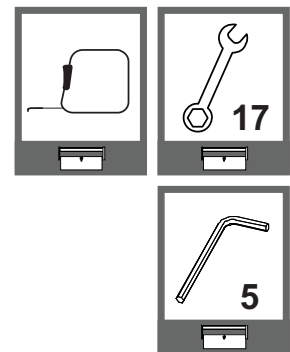
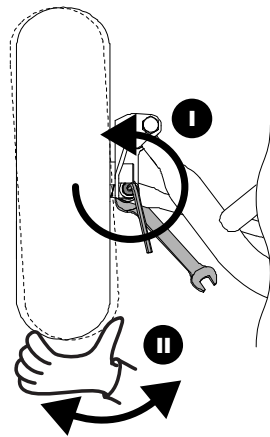
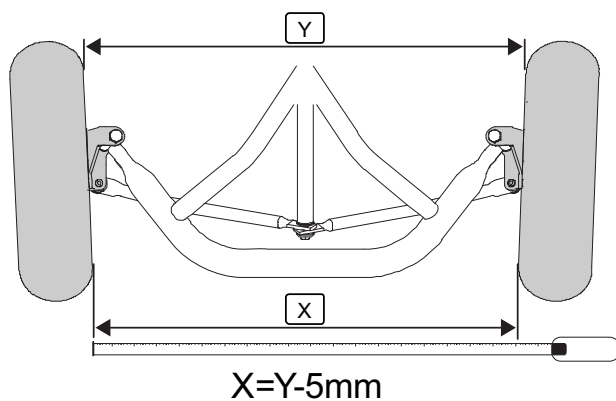


Fig. 5.1

### 5.4 Drive mechanism

#### 5.4.1 Chain

The chain must be greased regularly to keep it running smoothly. If the chain is too taut, the pedal go-kart will be heavy to pedal and there is also a good chance that the chain will break. If the chain is not tight enough, it will easily jump off the teeth on the gear wheel and the chain case may also be damaged. The process for tightening the chain is described below.

To tighten the chain:

Loosen the nut and bolt a little and then tighten the chain with the nut. Then tighten the nut and bolt again.

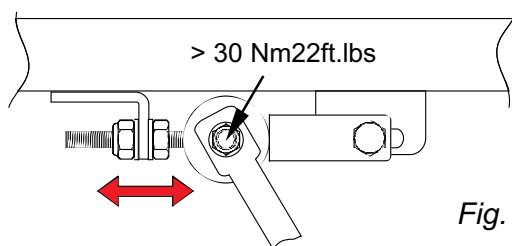


Fig. 5.2

**IMPORTANT:** Do not allow the chain to be too tight. Remove the lower half of the chain case to see how taut it is. It should be possible to push the chain down easily by 2cm in the centre.



#### **5.4.2 Crank arm as part of 'running in' a new pedal go-kart**

After using the pedal go-kart for a period of time (a few days of intensive use, up to two weeks of normal use), the anchoring bolts (see Fig. 5.2) with which the left-hand and right-hand cranks are attached need to be tightened. Make sure this is done 'manually', i.e. with a maximum tightening torque of 30 Nm/22ft.lbs. You can also ask your dealer, who will be happy to do it for you. (It is normal after a short period of use, as a result of exertion being placed on the pedals, that the crank arm needs adjustment. An additional effect of this is that there may be some play, which can lead to damage to the crank and the crank axle. This play can be eliminated by further tightening the bolts).

#### **5.5 Plastic parts**

Plastic parts needs to be checked regularly for damage and breakage. When a breakage occurs, the part in question must be replaced immediately by an original spare part in order to ensure the safety of the user.

### **III. Warranty**

#### **6. Warranty period**

The owner of this product from BERG Toys B.V. has the following warranty on the product:

- Two years from the purchase date on the entire pedal go-kart.
- On the whole, no warranty is provided on parts that are subject to wear (such as chain and tyres).

#### **7. Warranty terms and conditions**

The owner of the pedal go-kart may only invoke the warranty by submitting the original purchase receipt and original warranty certificate to BERG Toys or the dealer where the product was purchased.

The warranty is only valid for equipment and manufacturing defects in relation to this product or its parts.

The warranty does not apply if:

- This product is used incorrectly and/or carelessly, or is used in a way that does not correspond with the purpose for which it is intended.
- This product is not assembled or maintained in compliance with the instruction booklet.
- Technical repairs have been carried out on this product in a non-professional manner.
- Parts fitted after purchase do not correspond to the technical specifications of the product in question, or if they have not been fitted correctly.
- Defects are caused as a result of the effects of the climate, such as the formation of rust or normal weathering of the paintwork.
- The product is used for rental or is made available in any other way to other unspecified persons.

Specifically excluded from the liability of BERG Toys is damage to (parts of) the product as the result of:

- Incorrect adjustment/tension of the steering, steering mechanism, chain, tyres and gear hubs.
- The untimely replacement of parts such as chain and tyres.

Throughout the period of the warranty, all equipment or construction defects acknowledged by BERG Toys may be repaired or replaced, at the discretion of BERG Toys.

The owner of this product may only invoke the warranty by submitting the product for inspection at a BERG Toys dealer. At the same time, the original warranty certificate (fully completed and with the dealer's stamp) must be handed over to the dealer along

with the original purchase docket. If the owner has moved or if the dealer is no longer available, BERG Toys will assign the warranty, where appropriate, to the nearest BERG Toys dealer.

If the claim on the warranty is not justified, all costs incurred will be the responsibility of the owner.

This warranty certificate may not be transferred to third parties.



## 8. Warranty certificate

To enable you to have the details of your BERG pedal go-kart handy at all times, please complete the details below. You will find the serial number on the silver sticker located on the underside of the frame of the pedal go-kart.

<p>Name of dealer:</p> <p>Address:</p> <p>Town/City:</p> <p>Tel. n°:</p> <p>Name of product:</p> <p>Serial number:</p> <p>Date of purchase:</p>	<p>Dealer stamp:</p>
---	----------------------