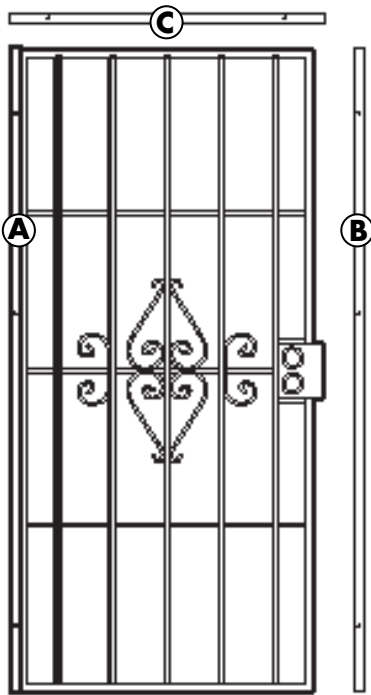


# Installation Instructions

For Single Doors

UNIQUE HOME DESIGNS®

## Parts and Recommended Tools



- A)** Door/Hinge-side Jamb Assembly (1)
- B)** Lock-side Jamb (1)
- C)** Top Header Jamb (1)
- D)** 4" One-way Screw (8)

### YOU WILL NEED:

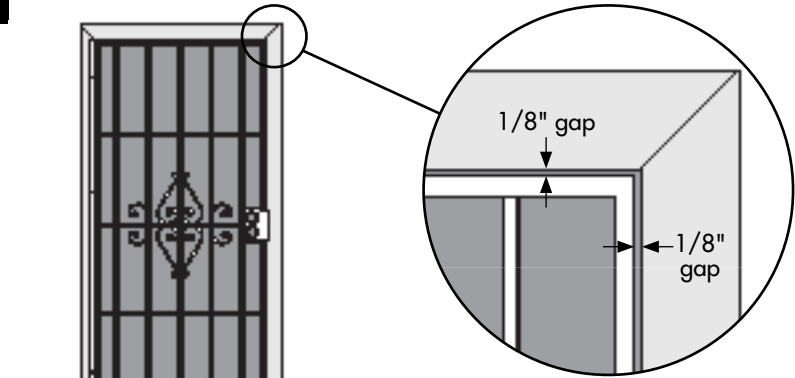
Your choice of locksets, with 2-3/8" backset (sold separately)

### Recommended Tool List:

- Measuring tape
- Pencil
- Level or string plumb line
- Drill and 3/16" drill bit
- One-way driver
- Safety glasses
- Wood blocks (2x4, 1x3, etc.)
- Wood shims

It is also recommended to have a helper.

1



Wood blocks and shims placed underneath door, will help to hold position

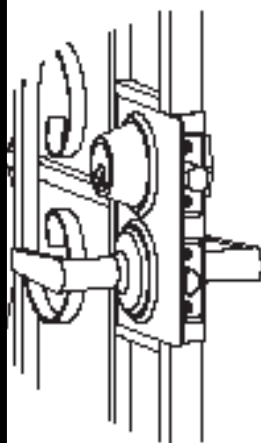
Position door/hinge-side jamb assembly (A) in front of opening. Allow for a 1/8" gap between the lock-side edge of door and inside-edge of your mounting surface, as well as a 1/8" gap between the top-edge of door and bottom-edge of your mounting surface. Make certain the assembly is plumb.

**Important: All jambs must be positioned on the facing surface of the frame around the opening, and secured to a stud in the wall.**

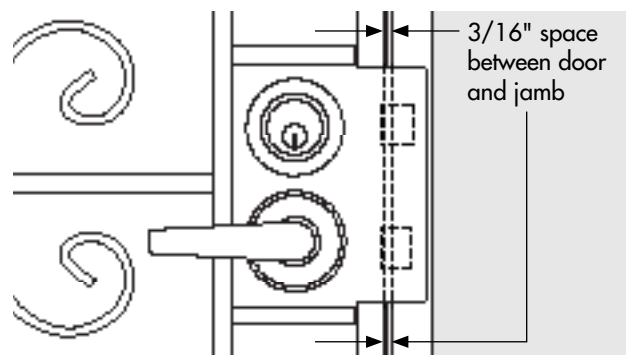
Mark the location of the mounting holes. Set door aside and pre-drill 3/16" holes where marked. Fasten the door/jamb assembly to the house using the one-way screws (D) provided.

2

Install your choice of locksets, with 2-3/8" backset (sold separately). Fully extend the lock bolts into the "locked" position.



3



With the lock bolts extended, align the lock bolts with the holes in the lock-side jamb (B). Allow approximately 3/16" space between the door and the jamb. Make certain the jamb is plumb, and the top is level to the top of the hinge-side jamb.

Mark the location of the mounting holes. Set the jamb aside and pre-drill 3/16" holes where marked. Fasten the jamb to the house using the provided one-way screws (D).

4



Position the top header jamb (C) across the top of the two side jambs. Make certain there is a minimum 1/8" space between the header and the top of the door frame, and that the header is level.

Mark the location of the mounting holes. Set the jamb aside and pre-drill 3/16" holes where marked. Fasten the jamb to the house using the provided one-way screws (D).