

## Multi-Use Scaffold Interior or Exterior GSSI Assembly and Operating Instructions

**WARNING:** Improper erection, dismantling or use of Multi-Use Scaffold may result in serious injury or death! Erectors, dismantlers, and users of Multi-Use Scaffold must read and fully understand these Safety Rules and Instructions.

**MAXIMUM LOAD CAPACITY:** 1,000 lbs (Workers & Materials)

**WARNING: DO NOT OVERLOAD SCAFFOLD! IT MAY RESULT IN SERIOUS INJURY!**

### SPECIFICATIONS

Total Length	Total Width	Total Height	Highest Upright	Total Weight	Total Thickness
74 5/8 in	29 7/8 in	75 in	75 in	138 LB	.135 in

### ASSEMBLY INSTRUCTION

For proper assembly, the Multi-Use Scaffold must be comprised of 13 individual parts. (See Figure A)

Item	Part Name	Qty
A	Frame	2
B	Side Brace	2
C	Platform	1
D	Caster	4
E	Lock Pin	4

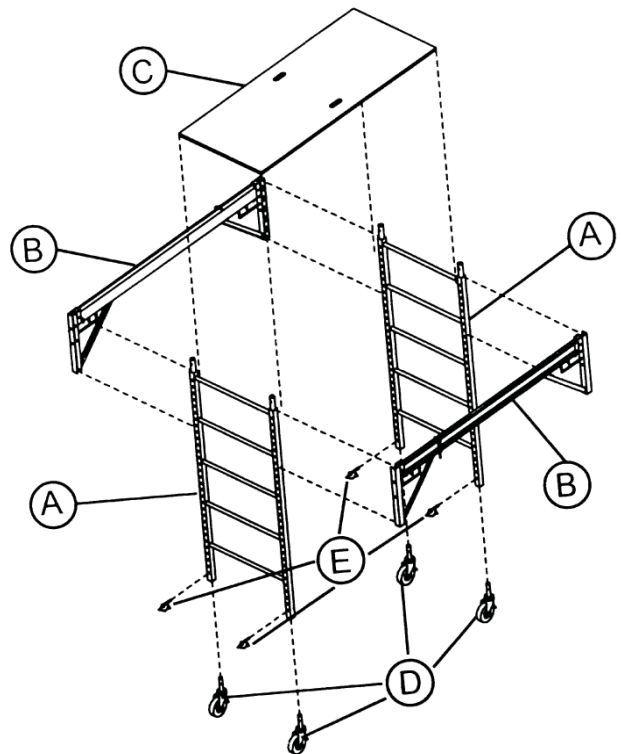


Figure A