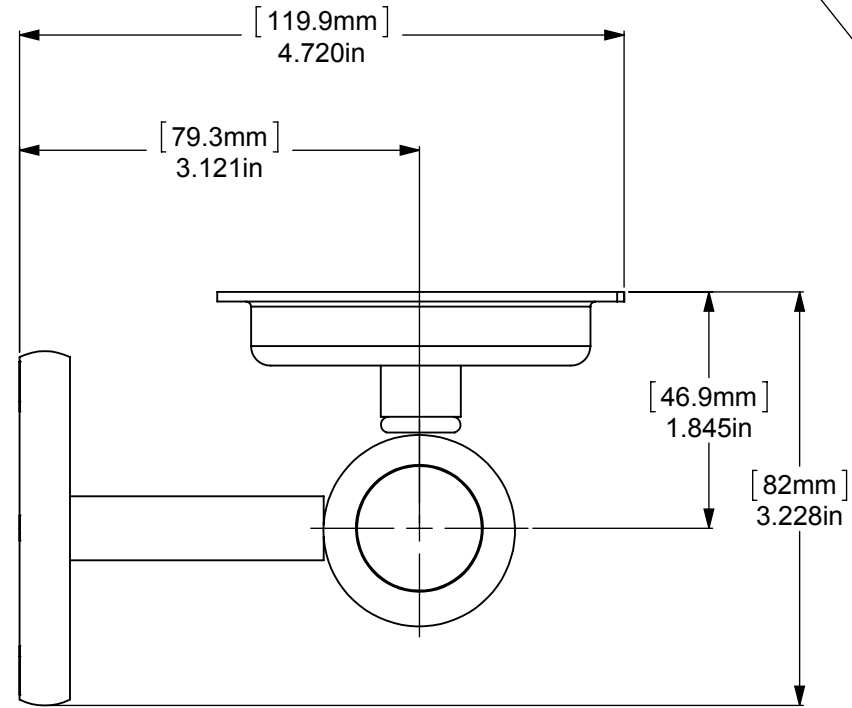
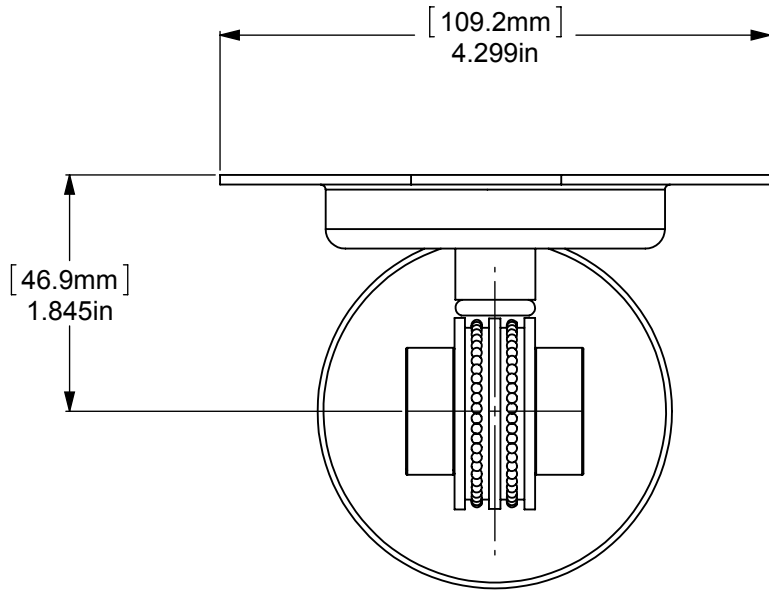
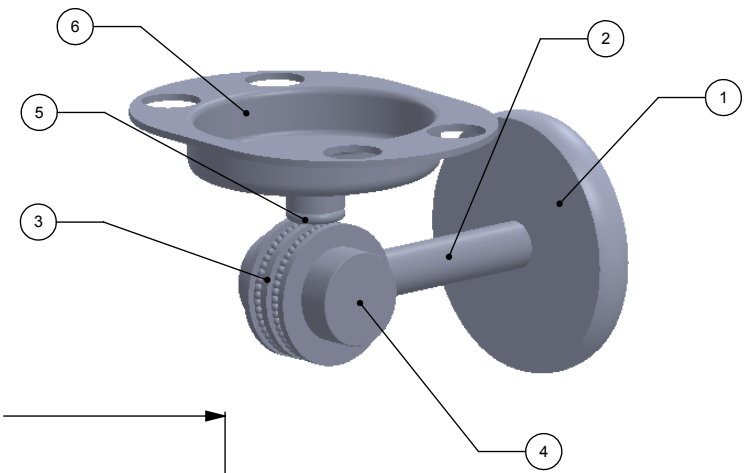


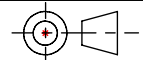
1	BPRD	BASE	1
2	TU12-2	TUBE	1
3	RGDTD	CONNECTOR	1
4	Card-1	END LOCK	2
5	CRRD-12	CHECK RING	1
6	HROVT	PLATE	1



UNLESS OTHERWISE STATED

.X	±.3mm
.XX	±.15mm
.XXX	±.008mm

COPYRIGHT © Allied Brass 2017



THIRD ANGLE PROJECTION

DRAWN	7/22/2017	I.M
CHECKED	7/22/2017	P.D
APPROVED	7/22/2017	R.A

MATERIAL: BRASS

DESCRIPTION:  
**Satellite Orbit Two  
Collection Tumbler  
and Toothbrush  
Holder**



FINISH	TBD
QUANTITY	TBD
DRAWING No.	REV
7226D	0
SCALE	1:1.5 SHEET: 01 A4