



IT

**Istruzioni per l'installazione l'uso e la
manutenzione**

EN

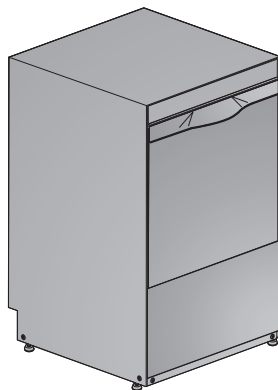
**Instructions for Installation, Use and
Maintenance**

FR

**Notice d'installation, d'emploi et
d'entretien**

ES

**Instrucciones para la instalación, uso y
mantenimiento**



**G-3000
UC-18**



Thank you for choosing our appliance.

The installation, use and maintenance instructions given in this manual have been prepared to ensure the long life and correct operation of your appliance.

Follow these instructions carefully.

We have designed and manufactured this appliance according to the latest technological developments. Now, it is in your care.

Your satisfaction is our greatest reward.



READ THE INSTRUCTIONS CAREFULLY BEFORE INSTALLING THE MACHINE.



WARNING: FAILURE TO COMPLY (EVEN PARTIALLY) WITH THE RULES GIVEN IN THIS MANUAL WILL INVALIDATE THE PRODUCT WARRANTY AND RELIEVES THE MANUFACTURER OF ANY RESPONSIBILITY.

CONTENTS	Page
WARNINGS	20
1. MACHINE INSTALLATION	22
1.1 Serial number data	22
<i>INSTALLER SECTION</i>	
1.2 Receiving the machine	23
1.3 Storage	23
1.4 Prepare for installation	23
1.5 Water connections	23
1.6 Water supply characteristics	23
1.7 Positioning the machine	24
1.8 Electrical connection	24
1.9 Temperature adjustment	24
1.10 Rinse aid dispenser operation	25
2. DETERGENT DISPENSER INSTALLATION	26
2.1 Electrical connection	26
2.2 Water connection	26
2.3 Dispensing the detergent	26
3. TECHNICAL DATA AND USEFUL INFORMATION ON PUMPS	26
3.1 Emptying pump	26
<i>USER SECTION</i>	
4. CONTROL PANEL AND RELATIVE SYMBOLS	27
5. OPERATION	27
5.1 Dishes and cutlery loading	27
WARNINGS	28
5.2 Detergent use	29
5.3 Rinse aid use	29
5.4 Compliance with hygiene regulations, H.A.C.C.P. and NSF	29
5.5 Discharge pump system	29
6. MAINTENANCE	30
6.1 Routine maintenance	30
6.2 Special Maintenance	30
7. ENVIRONMENTAL ASPECTS	30
7.1 Packing	30
7.2 Disposal	30
8. ECOLOGICAL ASPECTS	31
8.1 Recommendations for optimal use of energy, water and additives	31
9. TROUBLESHOOTING	32



WARNINGS

This instructions booklet must be kept with the machine for future consultations. If the machine is sold or transferred to other users, make sure the booklet always goes with the unit so that the new owner can have all the necessary information on operations and all relevant instructions.

The dishwasher shall be installed in accordance with local codes, or in the absence of local codes, installed in accordance with the applicable requirements in the National Electrical Code, NFPA 70, Canadian Electrical Code (CEC), Part 1, CSA C22.1, and Standard for Ventilation Control and Fire Protection of Commercial Cooking Operations, NFPA 96.

These warnings are provided to safeguard the user in conformity with technical standards UL 921 and NSF3.

The instructions booklet must be carefully read before installation and before starting the machine.

The user must comply with the following rules:

- **Adaptation of the electrical and water system for dishwasher installation must be carried out by qualified operators only.**
- The user shall not carry out any repair and/or maintenance operations.
- When the main switch is OFF, only qualified personnel can access the control panel.
- Servicing of this machine must be performed by authorized personnel only.
Note: Use genuine spare parts only. Non-genuine parts will void the warranty and the manufacturer will take no responsibility for any damage.
- **Do not use old hose, but only new ones.**
- This appliance can be used by trained youth aged from 15 years and above. It cannot be used by persons with reduced physical, sensory or mental capabilities or lack of experience and knowledge.
- Children shall keep off the appliance.
- Cleaning and user maintenance shall not be made by children without supervision.
- **This machine is designed exclusively for washing plates, glasses, trays, baskets and various pots and pans with human food type of residue. DO NOT wash articles different from those stated above and fragile objects or materials not resistant to washing process.**
- **A suitable omni-polar switch shall be installed and sized according to the actual absorption, in order to guarantee completely the disconnection, from the power network. A fuse protection system with the characteristics shown on the data-plate shall be installed (or equivalent system).**
- **This switch shall be included in the power network, be solely and exclusively used for this purpose and be installed in the immediate vicinity of the machine.**
- **Always turn off the machine by this switch: only this switch gives a full warranty of a complete insulation from the electric network.**

- **Make sure the appliance is linked to an efficient ground connection.**
- Do not open the machine doors when operating. After switching the machine off, wait for at least 15 seconds after the motors stop.



WARNINGS: IT IS FORBIDDEN TO INSERT HANDS AND/OR TOUCH INTERNAL PART WHEN THE MACHINE IS OPERATING AND/OR AT THE END OF THE WASH CYCLE.

- Before using the machine, the personnel shall know the position of the omni-polar switch that disconnected the machine from the electrical network, the position of the water connection shut-off valve and the procedures to switch off and secure the machine.
- Follow the instructions given in the manufacturer's booklet for cleaning operations (chap. 6).
- **This machine must be disconnected from the main electrical supply after use at the end of the day and for any service/maintenance operation following this procedure:**
Switch the machine off from the control panel.
Drain the tank by removing the overflow pipe.
Disconnect the electrical supply by the omni-polar switch (main switch located on the wall).
Shut the water supply valve(s).
Disregarding the aforesaid prescriptions is a serious misuse and can cause damages and injures to property and people, and will relieve the manufacturer from whatever liability.
- Do not use water to extinguish fires on electrical parts.
- Do not cover the intake or dissipation grids.
- Water infeed to the machine 60PSI (400kPa) maximum.



NOTICE: This machine must be operated with an automatic detergent dosing pump including a visual means to verify that detergents are delivered, or a visual or audible alarm to signal if detergents are not available for delivery to the washing system. Please see instructions for electrical and plumbing connections located in this manual and in the feeder equipment manual.

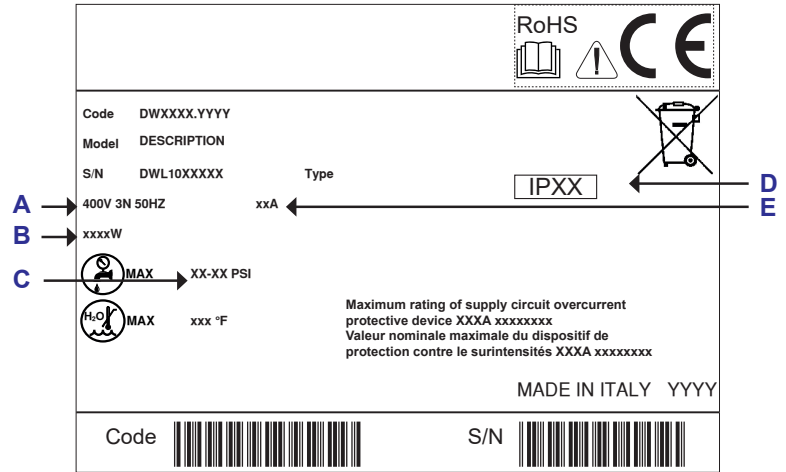
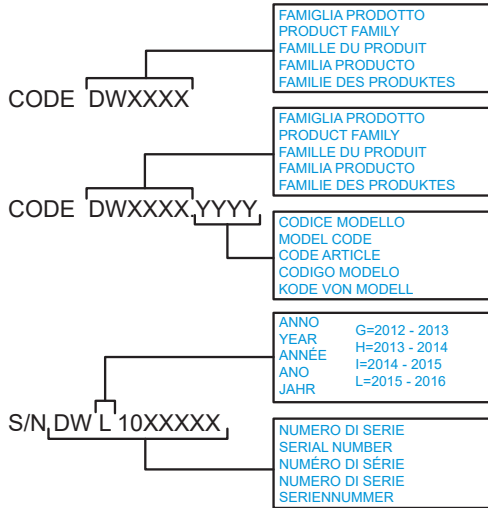
Note: The manufacturer declines any responsibility for accidents to people or any damage deriving from failure to observe the above listed instructions.

ATTENTION:

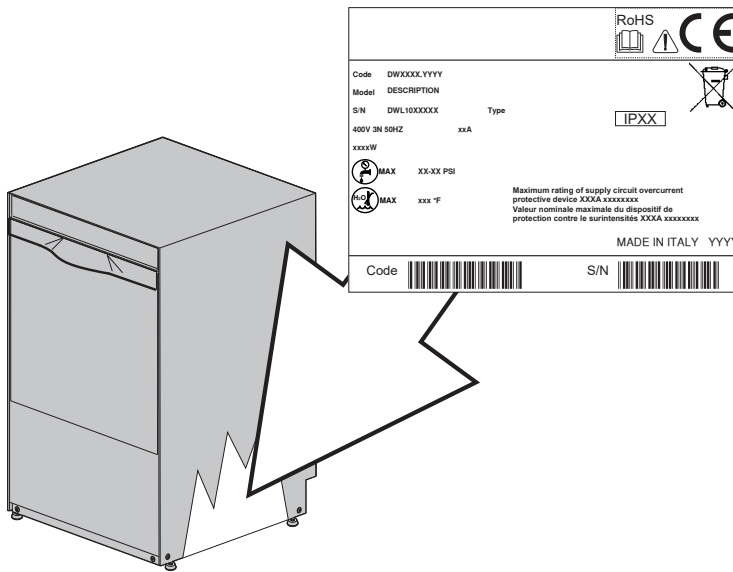
At the end of installation make sure to remove the parts of this booklet relevant to the installer, for future consultation.

1. MACHINE INSTALLATION

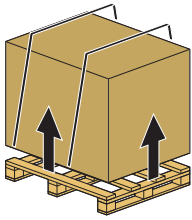
1.1 Serial number data



- A Power source**
- B Total power installed**
- C Dynamic pressure**
- D Envelope protection degree**
- E Total electricity absorption**



1.2 Receiving the machine



Pay special attention in choosing the lifting points and the machine barycentre during the loading and unloading operations.

Before accepting the machine, verify that all the data on the data-plate corresponds to the required ones (as shown on par. 1.1) and to the ones of the available electrical supply.

After unpacking, make sure the machine has not been damaged during transportation. If so, do notify the seller immediately about the problem. If the damage might question the machine safety, do not install it.

Double check the firm tightness of all hose-clamps on piping, nuts, bolts and electrical connection that might have come loose during transportation, to prevent water dripping leakages, or other damages, during the machine operation.

See chap. 7 for disposing the packing material.

1.3 Storage

Storage temperature: min. +40°F (+4°C) – max. +122°F (+50°C) - humidity <90%

The stored parts should be checked periodically to detect any sign of deterioration.

Do not store the machine exposing it to atmospheric agents (rain, sun, cold, etc.). Do not place material on the packed machine.

1.4 Prepare for installation

This is just a guide-line for the machine installation. The installation must be performed by a qualified engineer.

1.5 Water connections

Water connections must be carried out in compliance with current local standards.

The Water system must have characteristics between the parameters specified in table 1.

Table 1

Water supply characteristics	Min	Max
Static Pressure*	30 PSI (~200Kpa)	60 PSI (~400Kpa)
Dynamic Pressure	30 PSI (~200Kpa)	50 PSI (~350Kpa)
Cold water-supply temperature (machine with extra power)	110°F (~43°C)	150°F (~65°C)
Hot water-supply temperature	140°F (~60°C)	150°F (~65°C)
Capacity	2,6 gpm (~10 l/min)	

*If higher than 60 PSI (400Kpa), **it is mandatory** to install a pressure reducer.

To improve the machine performance keep the temperature intervals indicated.

It has to be installed a water supply shut-off valve close to the machine in an accessible point.

Use only new flexible pipes for the water connections.

1.6 Water supply characteristics

The machine water supply must be potable.

The inlet water must also meet the parameters given in the table 2.

Table 2

Water parameters table	Min	Max
Chlorine ¹		2mg/l
pH	6,5 ¹	8,5 ³
Water hardness		8°f ²⁻³
Iron ³		0,2 mg/l
Manganese ⁴		0,05 mg/l

1 Out of range values might lead to corrosion and jeopardize the life of the machine.

2 Should the water hardness is higher **it is compulsory** to install a water softener and check periodically its operation.

3 Out of range values might lead scaling and sediments with a consequent lower performance, functionality, and expected life of the machine.

4 Desired value: Out of range values might lead stainless steel blackening/tarnishing.

It is recommended a water test once a year.

1.7 Positioning the machine

Remove the packing with care.

Maintain a minimum distance of about 2 inches (50mm) from the walls, so that motors are ventilated.

Check that the machine is properly levelled, by adjusting the legs.

Make sure the machine is not standing on the power cable or on the filling/drain hoses. Level the machine flat, by adjusting the support feet.

1.8 Electrical connection

Only qualified and properly trained personnel can operate on the electric board and connections.

Before the installation:

Make sure that the voltage is the same as reported on the data-plate.

Make sure the line voltage matches the machine power and voltage indicated on the machine data-plate (as shown on par. 1.1).

Electrical connection must be carried out in compliance with the current local standards.

Use the data reported on the data-plate to check dimensions and electrical connections.



A suitable omni-polar switch shall be installed and sized according to the actual absorption, in order to guarantee completely the disconnection from the power network. A fuse protection system with the characteristics shown on the data-plate shall be installed (or equivalent system).


This switch shall be included in the power network solely and exclusively used for this purpose and installed in the immediate vicinity of the machine.

This is the only model of switch that guarantees a total electrical power disconnection.

Make sure that the facility is equipped with efficient ground connection.



WARNING: check very carefully if the “ground connection” of the machine, is properly sized and fully efficient, and that not too many units are connected on it. An undersized or poor “ground connection” might lead to corrosion and/or pitting effect on the stainless steel plates, even to perforation.

The machine has a terminal on the back panel indicated by the symbol  that is meant to link the metal structures of different appliances, to prevent electro-static shocks.

Note: Do not modify the protections or remove them. Only if the power supply is cut off from the main switch on the wall. Only if the power supply is cut off from the main switch on the wall it is possible to work on the dishwasher electric circuits. Lock the main switch on the wall to signal the work in progress on the dishwasher’s electric circuits. **DANGER!**



DO NOT USE POWER CORD OR GFI OUTLET

This unit MUST BE hard-wired to a dedicated appropriately size circuit breaker

1.9 Temperature adjustment

The adjustments are already carried out during the factory testing. If necessary, the water temperatures of the wash and rinse cycles can be adjusted by means of the fine-tune screws on the respective thermostats.

The set temperatures are 160°F (71°C) the wash cycle (tank) and 185°F (85°C) for the rinse cycle (boiler).



1.10 Rinse aid dispenser operation

Operation: it utilizes the difference in combined pressure caused by turning the washing pump on and off, and the rinse pressure.

Water connection:

- 1) Connect the dispenser tube fitting **A** to the pump, by means of the rubber tube installed in the appliance (pump pressure).
- 2) Connect the small black rubber tube by the brass delivery fitting **B** to the connection near the boiler (injector).
- 3) Make sure that the green product suction tube is inserted on the special fitting **C** and that the small filter and the ballast are inserted in the rinse aid tank.

Priming: To prime the dispenser, turn on the appliance and carry out several complete wash cycles or press the adjustment screw **D** during the wash cycle and open and close the door combined with pressing the pin **D**. This method speeds up the refill process.

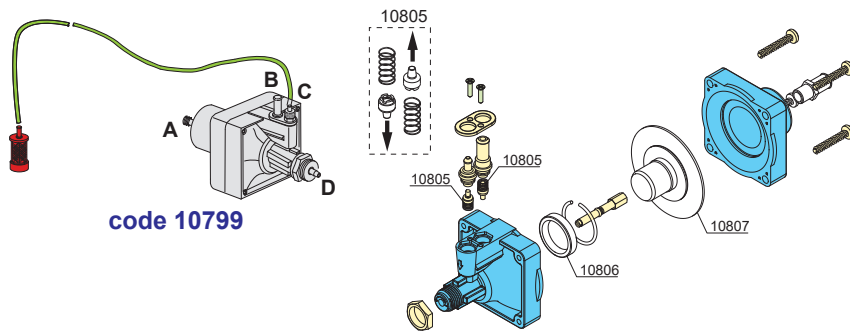
Adjustment: with each rinse cycle, the dispenser draws an amount of rinse aid, adjustable from 0 to 2 cubic inches (from 0 to 4 cc), equivalent to a length of 0 to 11" (from 0 to 30 cm) drawn into the suction tube.

In order to regulate the dispenser to the minimum amount, turn the adjustment screw **D** (completely clockwise. For the maximum amount, turn the screw anticlockwise about 20 complete turns.

For the correct amount of rinse aid, see the paragraph **Use of rinse aid** (par. 5.2).

N.B.: for each turn of the screw the amount of the product drawn into the tube varies by 5/8 inches (1,6cm), equivalent to 13/16 cubic inches/run (0,2 cm³/turn) - (about 1/8 Dramme/run - 0,21g/turn - with a concentration of 0,60 oz/cubic inches - 1,05 g/cm³ of rinse aid). The rinse aid cannot function properly if the difference in level between the bottom of the machine and the container exceeds 31 inches (80 cm).

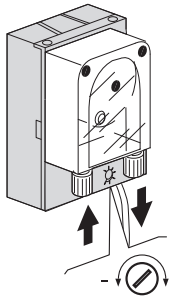
THE DISPENSERS ARE PRE-SET TO A 2" (5 CM) INTAKE OF PRODUCT FOLLOWING A TEST PHASE SYSTEM CHECK. THIS MEASUREMENT SHOULD BE ADJUSTED ACCORDING TO THE TYPE OF RINSE AID USED AND WATER HARDNESS.



PROBLEMS	CAUSES AND SOLUTIONS
Water exits from the rinse aid suction tube.	The suction valves 10805 and delivery do not seal due to foreign bodies in the closing seats. Clean the valves 10805, check that the rinse aid suction filter is present, and filter the water entering the dishwasher.
The dispenser does not draw rinse aid.	a) The delivery valve 10805 does not seal due to foreign bodies in the closing seats. Clean the valve 10805, check that the rinse aid suction filter is present and filter the water entering the dishwasher.
	b) The piston seal 10806 does not hold because it is damaged. Replace the seal 10806 with an original.
	c) Check the diaphragm 10807.

2. DETERGENT DISPENSER INSTALLATION

2.1 Electrical connection

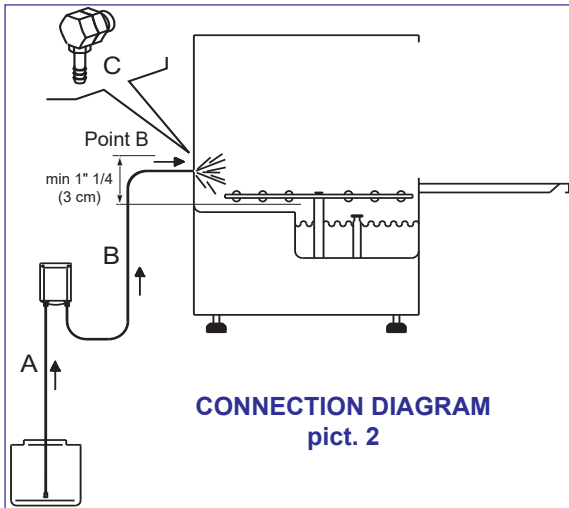


Follow the wiring diagram attached to the machine.

2.2 Water connection

- Remove the cap from the hole and fit the delivery connection.
- Correctly mount the injector **C** using the appropriate fixtures.
- Connect the suction tube to the suction attachment of the dispenser (see pict. 2 - point **A**).
- Connect the delivery tube to the other attachment of the dispenser, and the delivery fitting (see pict. 2 point **B**).
- Insert the suction tube with filter in the detergent tank.
- Prime the detergent and proceed to dispense.

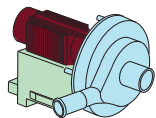
pict. 1



2.3 Dispensing the detergent

The detergent dispenser capacity can be adjusted using a screwdriver as shown in picture 1.

Every $\frac{13}{16}$ inches (2 cm) of product drawn into the tube corresponds to $\frac{1}{64}$ cubic inches (0,25 cm³) equivalent to 0,01 ounce (0,3 g) with a concentration of $\frac{1}{16}$ ounce/cubic inches (1,2g/cm³). For proper dispensing see paragraph 5.2.

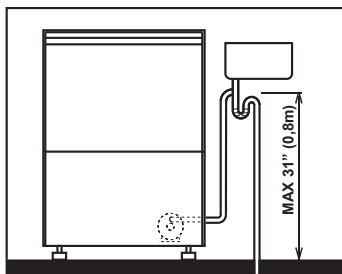


3. TECHNICAL DATA AND USEFUL INFORMATION ON PUMPS

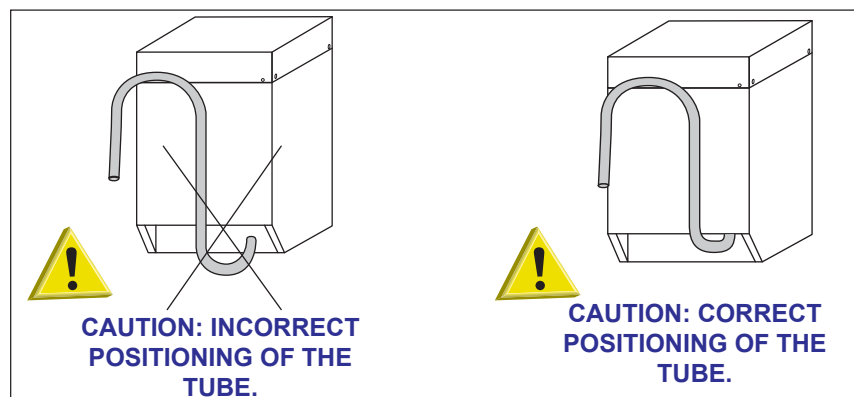
3.1 Emptying pump

When installing, pay particular attention to the position of the emptying tube (see pict. 3).

N.B.: To empty the tub: turn off the appliance by means of the green 0-1 (see chap. 4), pull out the overflow tube and leave the door open. Then keep button 5 pressed until the tub is completely empty. During the wash/rinse cycle, excess water will automatically be drained.



pict. 3



4. CONTROL PANEL AND RELATIVE SYMBOLS

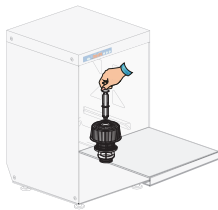
CONTROLS

1		ON/OFF switch 0-1
2	START	Cycle START button
3		Supplementary cold rinse button
4		
5		Manual drain button (optional)
6		Wash type selector (if provided)

INDICATORS

a		Power on indicator
b		Tub full indicator
c		Washing cycle indicator
d		
e		Temperature indicator

5. OPERATION



pict. 4

- Insert the overflow tube in the special seat inside the tub (pict. 4)
- Check that the filter is correctly fitted in its seat (pict. 4).
The filter must be cleaned after every 20 wash cycles and whenever necessary.
DO NOT use the appliance without the filter.
- Close the dishwasher door.
- Insert the special rinse aid dispenser tube in the liquid container and check that the quantity of additive is sufficient for daily use (see paragraph on **rinse aid use**).
- Turn on the water tap.
- Turn switch 0-1 **1** (see chap. 4) to position 1 (pressed).

The operation is signalled by the switch indicator lighting up or by the indicator with the symbol **a** (see chap. 4).

The machine will automatically fill the tub with water; then the heating phase begins.

Indicator **e** (see chap. 4) comes on when the water temperature is reached.

- Insert the rack filled with dishes to wash.
The plates must be correctly placed in the rack (see par. 5.1).
- On machines with selector **6** (see chap. 4) select the wash cycle required.
- To begin the wash cycle, if there is no automatic option, put the liquid detergent in the tub and press the **START** button **2** (see chap. 4). The button light or indicator **c** will come on, indicating that the cycle has started.
At the end of the washing cycle, a hot rinse cycle will take place.
The indicator light of the **START** button **2** (see chap. 4) will turn off when the cycle has finished.
- To carry out a cold rinse, on appliances equipped with this option, press selector **3** (see chap. 4) and hold it down for the desired length of time after the indicator light **c** goes off.
- The appliance is now ready for a new wash.
- At the end of the day, clean the machine (see chap. 6 **Maintenance**).
- Turn off the machine and the water tap.

5.1 Dishes and cutlery loading

Before loading the dishes it is necessary to carry out a proper cleaning off of the food residuals.

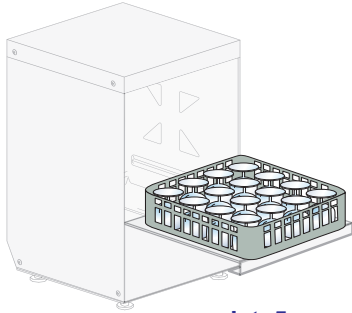
It is not necessary to rinse the dishes with water before the loading.



WARNING: Do not wash items contaminated by petrol, paint, pieces of steel or iron, ash, sand, wax, lubricating grease. These substances damage the machine. Do not wash fragile items or made of material that do not stand the washing process.

Follow these tips:

- Crockery and cutlery must not lie inside one another, covering each other.
- Place the dishes so that all the surfaces can be reached by the water; otherwise the dishes cannot be washed properly.
- Make sure that the dishes are placed in a stable position and that the empty containers (cups, glasses, bowls, etc.) do not turn upside down.
- Place all the empty containers like cups, glasses, etc., **upside down**.



pict. 5

- Place in tilted position the dishes with deep hollows, so that the water can drain.
- Make sure that the smaller dishes do not fall from the baskets.
- Check all the wash arms runs freely and they are not blocked by too tall or too prominent crockery. Eventually, run a manual rotation of the arms to check it.

Some foods, such as carrots, tomatoes, and others, may contain some natural dyes substances, that in large amounts, can alter the crockery and plastic parts colors. Any discoloration does not mean that the plastic is not heat resistant.

Crockery and cutlery not suitable for dishwasher

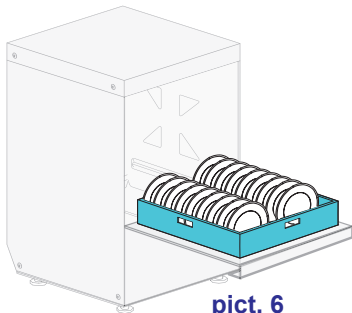
Not suitable for dishwasher:

- Wooden crockery and cutlery or with wooden parts; water at high temperature causes deformation to wood. Also the adhesives used are not suitable for treatment in the dishwasher; a consequence could be the handles detachment.
- Crafts, precious vases or decorated glasses.
- Not heat-resistant plastic crockery.
- Copper, brass, pewter or aluminum objects: they may become discolored or opaque.
- The decorations on glass, after a certain number of washes, can lose gloss.
- Fragile glasses or crystal items, if often washed, can become opaque.

We recommend to buy exclusively crockery and cutlery suitable for dishwashing.

After several washes, the glass can become opaque.

It is mandatory to repeat the washing cycle if at the end of the cycle the crockery are not well clean or if there are washing residues (glasses, cups, bowls, etc. with liquid inside).



pict. 6

WARNINGS:

- Do not slam the door when opening and closing.
- Do not put material or objects on the machine.
- The water used for the washing and the rinsing is not potable because of the presence of chemical additives. In case of contact with skin or eyes wash them immediately with plenty of water and check the safety instructions of the detergent manufacturer. If necessary, contact a doctor.
- Some important rules must be followed for the use of this appliance:
 - 1) Never touch the appliance with wet hands or feet
 - 2) Never use the appliance when barefooted
 - 3) Do not install the appliance in places exposed to water splashes.
- **This machine must be disconnected from the main electrical supply after use at the end of the day and for any service/maintenance operation. Switch off the main switch located on the wall, which shall be installed by a professional installer. Shut the water supply valve(s).**

WARNING: INTERNAL CLEANING OF THE MACHINE SHALL BE CARRIED OUT AT LEAST 10 MINUTES AFTER IT HAS BEEN TURNED OFF.

WARNING: DO NOT INSERT HANDS AND/OR TOUCH THE PARTS LOCATED AT THE BOTTOM OF THE WASH TANK AND/OR AT THE END OF THE WASH CYCLE.



5.2 Detergent use

ONLY use NON FOAMING types suitable for industrial glass-washers and dishwashers.

It is advisable to use liquid detergents.

The detergent must be put directly in the tub.

The correct amount will be suggested by the product manufacturer according to the water hardness. By request, the dishwasher can be equipped with an automatic detergent dosing pump (always recommended).

$\frac{3}{8}$ inches (1 cm) of the product drawn into the tube is equal to about $\frac{3}{32}$ Dr (0,15g). A correct amount of detergent is very important for a successful wash.

This machine must be operated with an automatic detergent dosing pump. Verify the correct operation by checking the detergent flow in the transparent suction hose from the detergent canister. Make the check during tank filling or rinse phase

5.3 Rinse aid use



The machine is equipped with a rinse aid dispenser.

The machine automatically draws the product.

The rinse-aid chemical, shall be suitable for professional glass and dishwashers. It is advisable to rely on specialized retailers in the sector.

The amount dispensed can be regulated by operating the fine-adjustment screw on the dispenser.

Reduce the amount by turning the screw clockwise, increase by turning it anticlockwise.

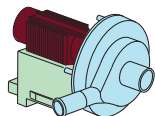
The recommended amount is $\frac{7}{8}$ - $1 \frac{15}{16}$ inches (2-5 cm) of product measured on the suction tube.

$\frac{3}{8}$ inches (1 cm) of the product drawn into the tube is equal to about $\frac{1}{16}$ Dramme (0,13g).

A correct amount of rinse aid is very important for a quick and clean drying.

5.4 Compliance with hygiene regulations, H.A.C.C.P. and NSF

- The machines are equipped with a temperature indicator (chap. 5) to indicate the boiler and tank temperature. Wait until the set temperatures are fully reached.
- The lighting of the light points out the attainment of the temperature of the tank (160°F - 71°C) and the rinsing (185°F - 85°C).
- Verify that the pressure of the rinsing is between 15 and 25 Psi.
- Remove solids from the crockery, not clog filters, nozzles and pipes.
- Drain the wash tanks and clean the filters at least twice a day.
- Check that detergent and rinse aid dosing is correct (as recommended by the supplier). Before starting the machine make sure the amount of chemicals in the tanks is sufficient for the daily requirement.
- Keep the tables surfaces clean.
- Remove the basket from the machine with clean hands or gloves, not to contaminate the cutlery.
- Do not dry or polish the crockery with unsterile cloths, brushes or rags.



5.5 Discharge pump system

To drain the wash-tank: turn off the appliance by means of the button **0-1** (see chap. 4), extract the overflow pipe and leave the door open. Then keep button **5** pressed until the tank is completely empty.

During the wash/rinse cycle, excess water will automatically be drained.



6. MAINTENANCE

6.1 Routine maintenance

ATTENTION: The machine is not protected against pressurized water sprays. Do not use pressure cleaning systems against the machine.

It is recommended to contact your chemicals distributor for proper cleaning instructions, in order to have detailed indications on methods and products suitable for the correct periodical machine sanitation. Do not use bleach or detergents containing chlorine.

To ensure the best performance of the machine a proper and systematic cleaning is required. The following shall be carried out, at least once/day:

- Turn off the ON/OFF switch.
- Turn off the water valve.
- Drain the water removing the overflow pipe.
For appliances provided with emptying pump, remove the overflow tube, turn off the ON/OFF switch (see chap. 4), and press button 5 (see chap. 4) until all the water has been completely emptied.
- Remove the filter and clean it with a brush under running water.
- Remove the rotors by loosening the fixing screws, and thoroughly clean the nozzles and cleaning and rinsing arms under running water.
- Reassemble all parts and refit the rotors in their seats, fixing them with the relative screws.
- Clean the tub thoroughly using specific products.



- At the end of the day, it is advisable to leave the dishwasher door open.

Note: It is advisable to replace the tub water by refilling the tub at least every 20 wash cycles, or twice a day. Do not use metal brushes or corrosive products which can damage the machine.

6.2 Special Maintenance



Once or twice a year have the machine inspected by a qualified technician, in order to:

- 1 Clean the inlet filter of the solenoid-valve
- 2 Remove incrustations from the heating elements
- 3 Check the status and the tightness of all gaskets
- 4 Check the wearing of each component
- 5 Check the efficiency of the dosing pumps.

7. ENVIRONMENTAL ASPECTS

7.1 Packing

The packing consists of the following:

- a wood pallet
- a nylon bag (LDPE)
- multi-layered cardboard
- polystyrene foam (PS)
- polypropylene support (PP).

Please dispose of the materials listed above, according to the current regulations.

7.2 Disposal



The machine must be disposed of according to current regulations: contact the Municipalized Firm responsible for collection of urban solid waste.

Before disposing of the appliance, disconnect all water and electrical connections.

Cut the electrical cable in such a way as to prevent further use.

As all metal parts are stainless steel, they are therefore recyclable.

Recyclable plastic parts are identified by the plastic symbol.



8. ECOLOGICAL ASPECTS

8.1 Recommendations for optimal use of energy, water and additives

Use the machine fully loaded when possible

This shall prevent detergent, rinse aid, water and energy waste.

Detergent and rinse-aid

Use detergent and rinse-aid chemicals with high biodegradability, to respect the environment best. Verify the proper dosage in relation to water hardness at least once a year. Excess of product pollutes rivers and seas while an insufficient dosing will cause unsatisfactory dish washing and/or hygiene.

Tank and boiler temperatures

The tank and boiler temperatures are set by the manufacturer in order to obtain the best washing results with detergents on the market. These may be re-set by the installer according to your detergent (see paragraph 1.9).

Cleaning off

Carefully remove solids off the kitchenware using water at room temperature so as to make removal of animal fats easier. To remove encrusted matter, soaking in hot water is recommended.

Notes:

Wash the objects as soon as possible in order to prevent the deposits from drying and jeopardizing the effectiveness of the washing. To get an efficient wash, it is advisable to regularly clean and maintain the machine (see chap. 6).

Disregarding the points listed above and any information contained in this manual can cause energy, water and detergent waste with a subsequent increase in running costs and/or performance reduction.

9. TROUBLESHOOTING

Type of problem	Possible causes	Cure
The machine does not turn on	Main switch not ON.	Turn switch ON.
The machine does not load water.	Water valve shut.	Open the hot and/or cold water valve.
	The spray arm nozzles or the solenoid filter are clogged and/or caked with lime deposits	Clean the rinsing arm nozzles, the pipes and the filter. Check that the water hardness is <10°f. Equip the machine with an external water softener
	Faulty pressure switch	Replace the pressure switch (call the Technical Assistance service)
Washing results are unsatisfactory.	The washing nozzles are obstructed or the rack does not rotate.	Unscrew and clean the nozzles and the rotation shaft carefully, refit them correctly in their seats
	Filters are dirty.	Remove filters, clean with brush under a jet of water and replace in original position.
	Presence of foam	Use a non-foaming detergent or reduce the amount of that used. Check the rinse aid dispenser
	Fats or starches are not removed	Detergent concentration too low
	Check the tank temperature (it must be about 160°F - 71°C)	Adjust the thermostat or check correct heating element operation
	Length of washing cycle inadequate for type of grime build-up	Choose a longer cycle if possible, otherwise repeat wash cycle
	Wash water too dirty	Empty water from the tank, clean filters; refill the tank and correctly refit the filters
Glasses or dishes are not completely dried	Insufficient rinse aid	Increase the amount of rinse aid by turning the screw on the dispenser (see paragraph Rinse aid use)
	The rack is unsuitable for the glasses and dishes	Use a suitable rack enabling the dishes to be tilted so water can run off
	The dishes have been too long in the tank	As soon as the wash cycle is finished, pull the rack out immediately, allowing the air to dry the glasses and dishes more quickly
	Rinse water temperature is less than 185°F (85°C)	Check the temperature of the booster thermostat. Call the Technical Assistance service to adjust
	Surface of dishes and glasses too rough or porous for material wear.	Replace type of dishes and glasses used
Streaks and spots on glasses and dishes.	Too much rinse-aid chemical.	Reduce the rinse aid amount by turning the micrometric dispenser screw (see par Rinse aid use)
	Too hard water.	Check the water quality. Water must not exceed 10°f in hardness. Equip the machine with an external water softener
The machine suddenly stops during the cycle	The machine is connected to an overloaded circuit	Connect the machine separately (call the Technical Assistance service)
	A safety device has been activated	Check safety devices (call the Technical Assistance service)
During wash cycle the machine stops and draws water	Water from the previous day has not been replaced	Empty the tank and refill it
	Faulty pressure switch	Have the Technical Assistance service check the thermostat and the pressure switch
	The overflow tube is incorrectly positioned	Remove the overflow tube and correctly reposition it

Note For any other problems, contact the Technical Assistance service.
The manufacturer reserves the right to alter the technical characteristics without prior notice.

