

SPEAKMAN® SA-1305

Rainier Paper Holder

FEATURES:

- Metal Construction
- Mounting hardware included

FINISH:



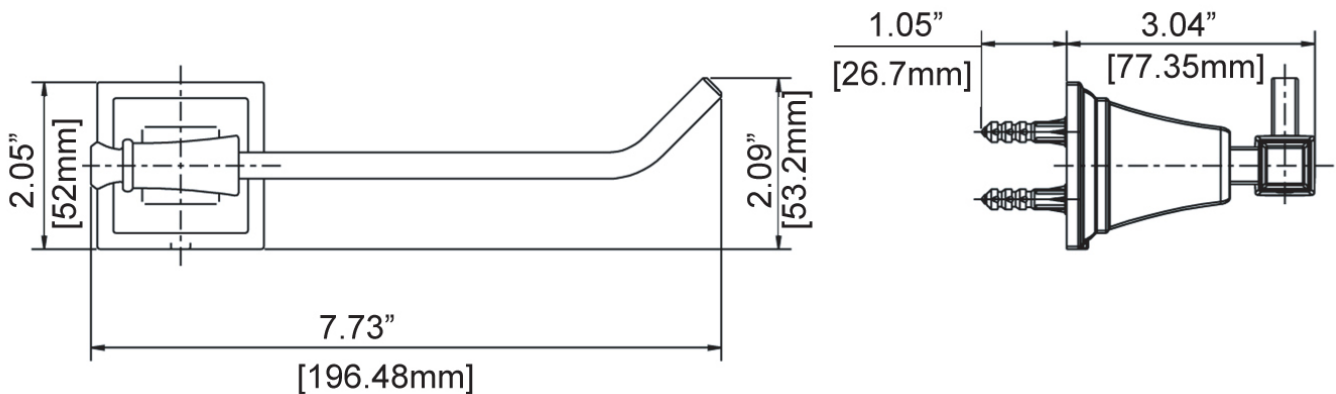
PC

WARRANTY:

- 1 year limited



DIMENSIONS:

 NOTE: 1. All dimensions are in inches (millimeters) unless otherwise specified and are subject to change without notice.

Architect/Engineer Approval Space:

SPEAKMAN
400 ANCHOR MILL ROAD
NEW CASTLE, DE 19720

P: 800-537-2107
F: 800-977-2747
W: WWW.SPEAKMAN.COM
R: JUNE 2015