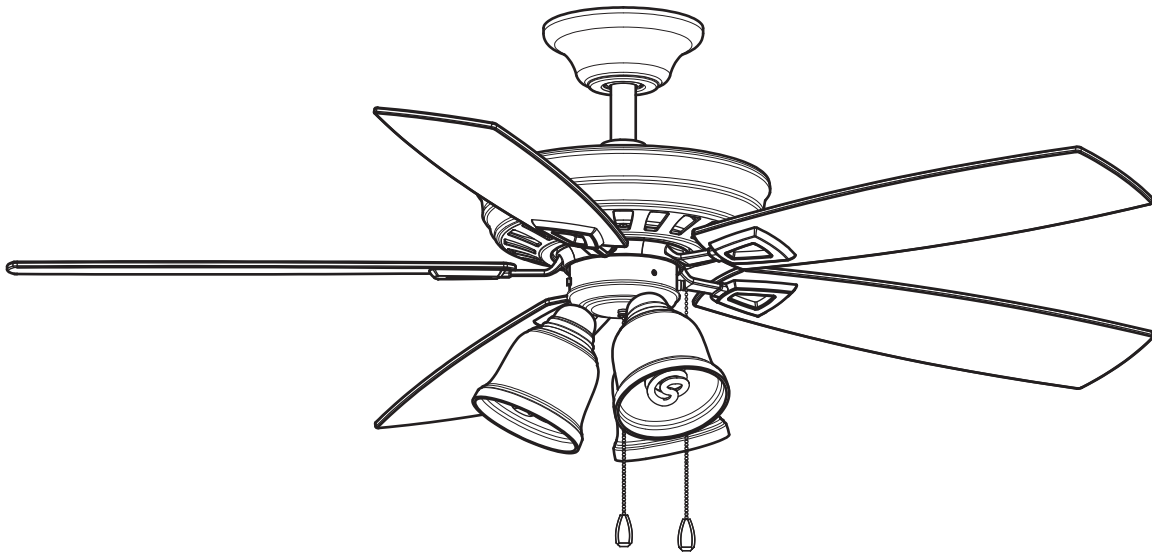


USE AND CARE GUIDE

GAZELLE 52-INCH CEILING FAN



Questions, problems, missing parts? Before returning to the store,
call Home Decorators Collection Customer Service
8 a.m. - 6 p.m., EST, Monday-Friday.

1-800-986-3460

HOMEDEPOT.COM/HOMEDECORATORS

THANK YOU

We appreciate the trust and confidence you have placed in Home Decorators Collection through the purchase of this ceiling fan. We strive to continually create quality products designed to enhance your home. Visit us online to see our full line of products available for your home improvement needs. Thank you for choosing Home Decorators Collection!

Table of Contents

Table of Contents	2	Assembly	7
Safety Information	2	Operation	13
Warranty	3	Care and Cleaning	14
Pre-Installation	3	Troubleshooting	14
Installation	6		

Safety Information

1. All wiring must be in accordance with the National Electrical Code ANSI/NFPA 70 and local electrical codes. Electrical installation should be performed by a qualified licensed electrician.
2. The outlet box and support structure must be securely mounted and capable of reliably supporting 35 pounds (15.9 kg). Use only UL Listed outlet boxes marked "Acceptable for Fan Support of 35 pounds (15.9 kg) or less."
3. The fan must be mounted with a minimum of 7 ft (2.1 m) clearance from the trailing edge of the blades to the floor.
4. Do not operate the reversing switch while the fan blades are in motion. You must turn the fan off and stop the blades before you reverse the blade direction.
5. Do not place objects in the path of the blades.
6. Electrical diagrams are for reference only. Light kits that are not packed with the fan must be UL listed and marked suitable for use with the model fan you are installing. Switches must be UL General Use Switches. Refer to the instructions packaged with the light kits and switches for proper assembly. Use 14W CFL bulbs max (included).
7. After making electrical connections, spliced conductors should be turned upward and pushed carefully up into the outlet box. The wires should be spread apart with the grounded conductor and the equipment-grounding conductor on one side of the outlet box.
8. All setscrews must be checked and retightened where necessary before installation.
9. Suitable for use in wet locations when installed in a GFCI protected branch circuit. Use only with light kits marked "Suitable for use in wet locations".



WARNING: To reduce the risk of personal injury, do not bend the blade brackets (also referred to as flanges) during assembly or after installation. Do not insert objects in the path of the blades.



WARNING: Remove the rubber motor stops on the bottom of the fan before installing the blades or testing the motor.



WARNING: To reduce the risk of fire or electric shock, do not use this fan with any solid-state speed control device.



WARNING: To reduce the risk of fire, electric shock or personal injury, mount to outlet box marked "acceptable for fan support of 35 lbs. (15.9 kg) or less" and use screws provided with the outlet box.



WARNING: To avoid possible electrical shock, turn the electricity off at the main fuse box before wiring. If you feel you do not have enough electrical wiring knowledge or experience, contact a licensed electrician.



CAUTION: To reduce the risk of personal injury, use only the screws provided with the outlet box.



CAUTION: To avoid personal injury or damage to the fan and other items, use caution when working around or cleaning the fan.

Warranty

The supplier warrants the fan motor to be free from defects in workmanship and material present at time of shipment from the factory for a lifetime after the date of purchase by the original purchaser. The supplier also warrants that all other fan parts, excluding any glass or acrylic blades, to be free from defects in workmanship and material at the time of shipment from the factory for a period of two years after the date of purchase by the original purchaser. We agree to correct such defects without charge or at our option replace with a comparable or superior model if the product is returned. To obtain warranty service, you must present a copy of the receipt as proof of purchase. All costs of removing and reinstalling the product are your responsibility. Damage to any part such as by accident, misuse, improper installation, or by affixing any accessories, is not covered by this warranty. Because of varying climatic conditions this warranty does not cover any changes in brass finish, including rusting, pitting, corroding, tarnishing, or peeling. Brass finishes of this type give their longest useful life when protected from varying weather conditions. A certain amount of "wobble" is normal and should not be considered a defect. Servicing performed by unauthorized persons shall render the warranty invalid. There is no other express warranty. Home Decorators Collection hereby disclaims any and all warranties, including but not limited to those of merchantability and fitness for a particular purpose to the extent permitted by law. The duration of any implied warranty which cannot be disclaimed is limited to the time period as specified in the express warranty. Some states do not allow a limitation on how long an implied warranty lasts, so the above limitation may not apply to you. The retailer shall not be liable for incidental, consequential, or special damages arising out of or in connection with product use or performance except as may otherwise be accorded by law. Some states do not allow the exclusion of incidental or consequential damages, so the above exclusion or limitation may not apply to you. This warranty gives specific legal rights, and you may also have other rights which vary from state to state. This warranty supersedes all prior warranties. Shipping costs for any return of product as part of a claim on the warranty must be paid by the customer.

Contact the Customer Service Team at 1-800-986-3460 or visit www.HomeDepot.com/homedecorators.

Pre-Installation

SPECIFICATIONS

Size	Speed	Volts	Amps	Watts	RPM	CFM	Net Weight	Gross Weight	Cube Feet
52 in.	Low	120	0.24	12	73	2600	18.92 lbs. (8.6 kg)	21.34 lbs. (9.7 kg)	1.65 cu. ft.
	Medium		0.33	23	108	3682			
	High		0.51	61	172	5825			



NOTE: These are approximate measures. They do not include the Amps and Wattage used by the light kit.



TOOLS REQUIRED



Phillips
screwdriver



Flat blade
screwdriver



Adjustable
wrench



Electrical
tape



Wire
cutter /
stripper



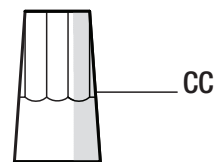
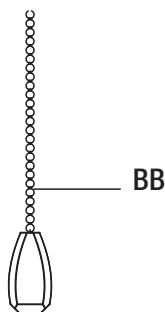
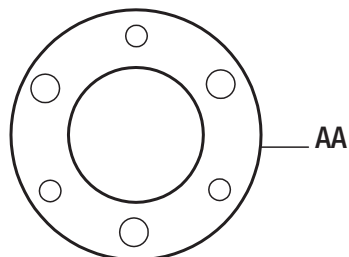
Step ladder

Pre-Installation (continued)

HARDWARE INCLUDED



NOTE: Hardware not shown to actual size.

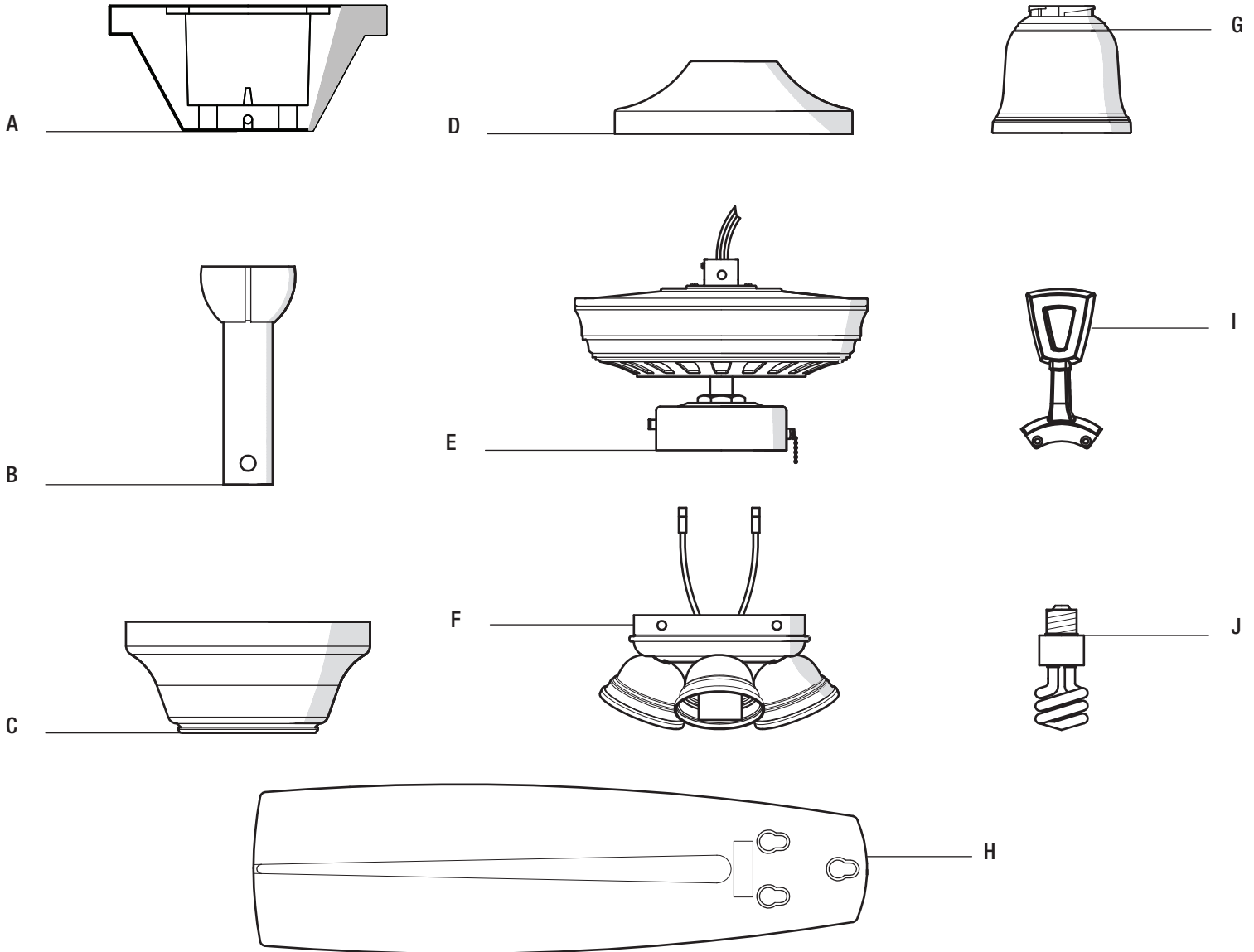


Part	Description	Quantity
AA	Rubber Gasket	1
BB	Pull Chain	2
CC	Plastic Wire Connector	3
DD	Rubber Plug	1

Part	Description	Quantity
EE	Hanger Pin	1
FF	Locking Pin	1

Pre-Installation (continued)

PACKAGE CONTENTS



Part	Description	Quantity
A	Slide-on mounting bracket (inside canopy)	1
B	Ball/downrod assembly	1
C	Canopy	1
D	Coupler Cover	1

Part	Description	Quantity
E	Fan-motor assembly	1
F	Light kit fitter assembly	1
G	PP shades	3
H	Blade	5
I	Blade bracket	5
J	CFL bulb, 14-watts maximum	3



IMPORTANT: This product and/or components are governed by one or more of the following U.S. Patents: 5,947,436; 5,988,580; 6,010,110; 6,046,416; 6,210,117 and other patents pending.

Installation

MOUNTING OPTIONS

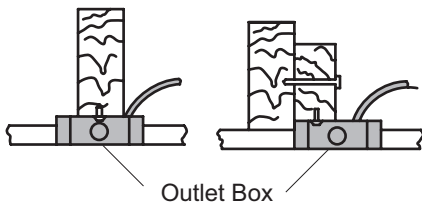
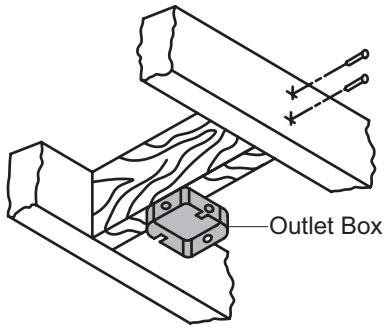


WARNING: To reduce the risk of fire, electric shock or personal injury, mount to outlet box marked "Acceptable for fan support of 35 lbs. (15.9 Kg) or less", and use screws provided with the outlet box. An outlet box commonly used for the support of lighting fixtures may not be acceptable for fan support and may need to be replaced. If in doubt, consult a qualified electrician.

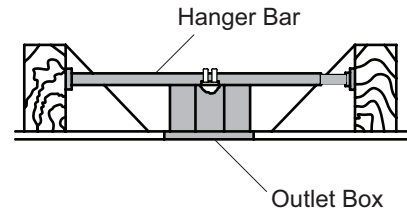
If your ceiling fan does not have an existing UL-listed mounting box, then install one using the following instructions:

- Disconnect the power by removing the fuses or turning off the circuit breakers.
- Secure the outlet box directly to the building structure. Use the appropriate fasteners and materials. The outlet box and its bracing must be able to fully support the weight of the moving fan (at least 35 lbs.). Do not use a plastic outlet box.

The illustrations below show three different ways to mount the outlet box.



NOTE: You may need a longer downrod to maintain proper blade clearance when installing on a steep, sloped ceiling. The maximum angle allowable is 30° away from horizontal.



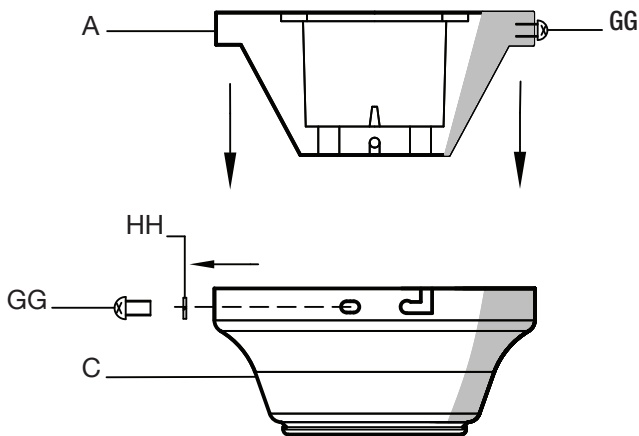
If the canopy touches the downrod, then remove the canopy bottom cover, and turn the canopy 180° before attaching the canopy to the mounting plate.

To hang your fan where there is an existing fixture but no ceiling joist, you may need an installation hanger bar as shown above (available at any Home Depot store).

Assembly - Standard Ceiling Mount

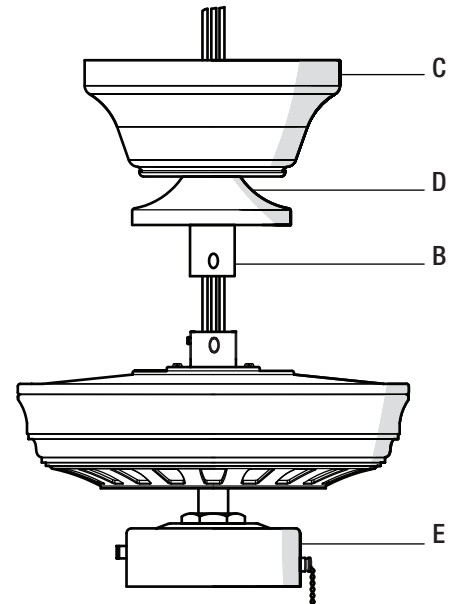
1 Preparing for mounting

- Remove the mounting plate (A) from the canopy (C) by loosening the four screws on the top of the canopy (C).
- Remove the mounting bracket (A) from the canopy (C) by loosening the two canopy screws (GG) located in the “L shaped” slots.
- Remove and save the two canopy screws (GG) and lock washers (HH) in the round holes. This will enable you to remove the mounting bracket (A).



2 Routing the wires

- Make sure the slot openings are on top, route the wires through the coupler cover (D), canopy (C), and then through the ball/downrod assembly (B).

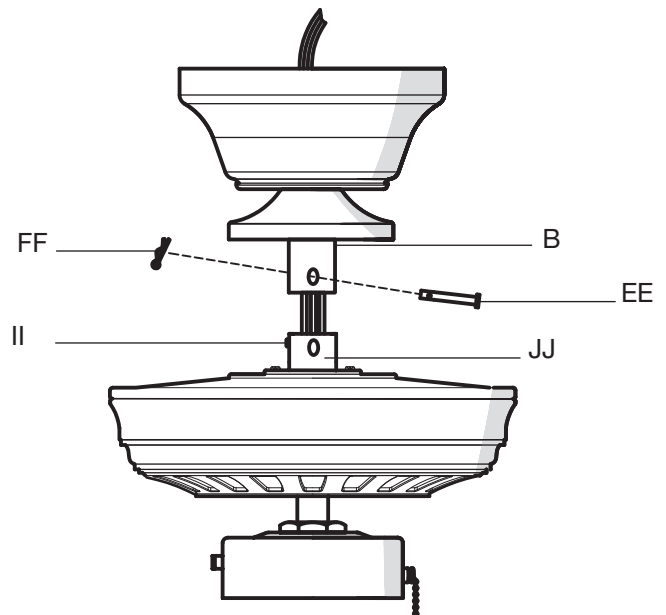


3 Assembling the fan



WARNING: Failure to properly install the locking pin could result in the fan becoming loose and possibly falling.

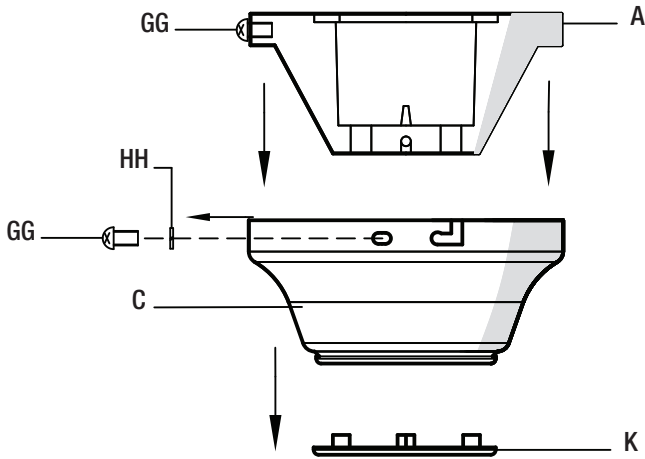
- Loosen, but do not remove, the two setscrews (II) on the collar (JJ) on top of the motor housing.
- Align the holes at the bottom of the downrod (B) with the holes in the collar (JJ) on top of the motor housing.
- Carefully insert the hanger pin (EE) through the holes in the collar (JJ) and downrod (B). Be careful not to jam the hanger pin (EE) against the wiring inside the downrod (B).
- Insert the locking pin (FF) through the hole near the end of the hanger pin (EE) until it snaps into its locked position.
- Re-tighten the two setscrews (II) on the collar (JJ) on top of the motor housing.



Assembly - Close-To-Ceiling Mount

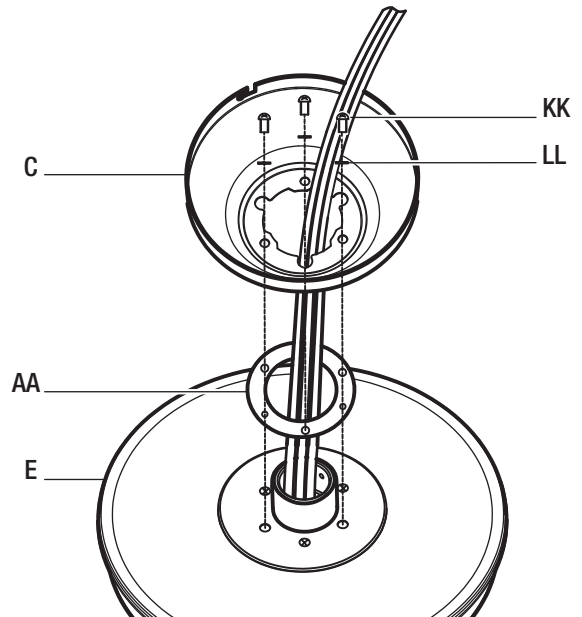
1 Preparing for mounting

- Remove the mounting bracket (A) from the canopy (C) by loosening the two canopy screws (GG) located in the “L shaped” slots.
- Remove and save the two canopy screws (GG) and lock washers (HH) in the round holes. This will enable you to remove the mounting bracket (A).
- Remove the decorative canopy bottom cover (K) from the canopy (C) by pressing the three studs located inside the bottom of the canopy.



2 Routing the wires

- Remove three of the six screws (KK) and lock washers (LL) (every other one) securing the motor collar to the top of the fan motor housing (E).
- Place the rubber gasket (AA) over the remaining three screws. Make sure the slot opening is on top, then proceed to place the ceiling canopy (C) over the collar at the top of the motor (E).
- Align the mounting holes with the holes in the motor (E) and fasten, using the three screws (KK) and lock-washers (LL) removed previously.
- Tighten the mounting screws securely.



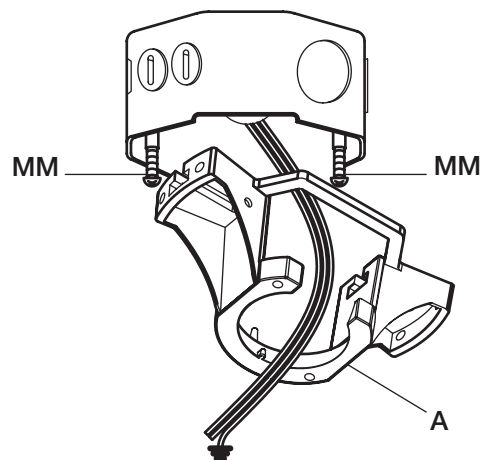
Assembly - Hanging the Fan

1 Attaching the fan to the electrical box



WARNING: To reduce the risk of fire, electric shock or personal injury, mount to outlet box marked “Acceptable for fan support of 35 lbs. (15.9 Kg) or less”, and use screws provided with the outlet box.

- Pass the 120-Volt supply wires through the center hole in the mounting bracket (A).
- Install the ceiling mounting bracket on the outlet box by sliding the mounting bracket (A) over the two screws (MM) provided with the outlet box. If necessary, use leveling washers (not included) between the mounting bracket (A) and the outlet box. Note that the flat side of the mounting bracket (A) is toward the outlet box. When using close-to-ceiling mounting, it is important that the mounting bracket be level.
- Securely tighten the two mounting screws (MM).



Assembly - Hanging the Fan (continued)

2 Hanging the fan



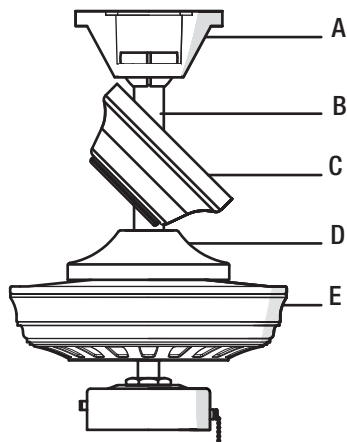
WARNING: The hook (00) is only to balance the fan while making the electrical connections. Failure to hang as shown may result in the hook (00) breaking, causing the fan to fall. The hook must pass from the inside to the outside of the canopy.



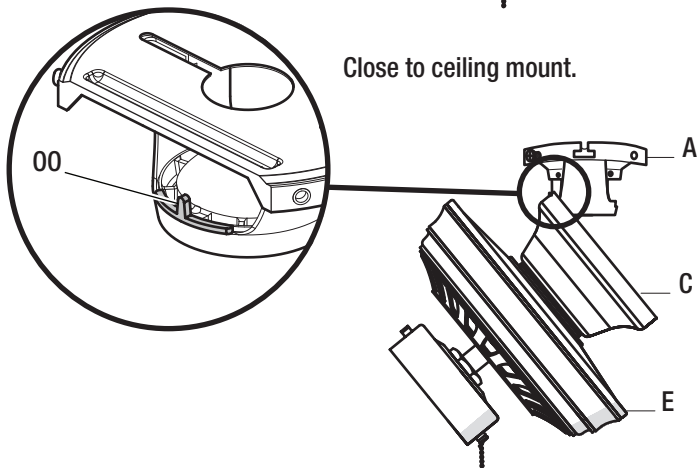
WARNING: When hanging the fan on the hook (00) it is critical that you use one of the non-slotted (round) holes in the canopy (C).

- Carefully lift the fan-motor assembly (E) up to the slide-on mounting bracket (A).
- Insert the ball portion of the ball/downrod assembly into the socket of the slide-on mounting bracket.
- Turn the ball/downrod assembly clockwise until it is seated with the tab of the slide-on mounting bracket aligned with the slot in the ball.
- If using close-to-ceiling mounting, hang the fan on the hook provided by utilizing one of the holes at the outer rim of the ceiling canopy (C).

Standard mount.



Close to ceiling mount.



3 Making the electrical connection

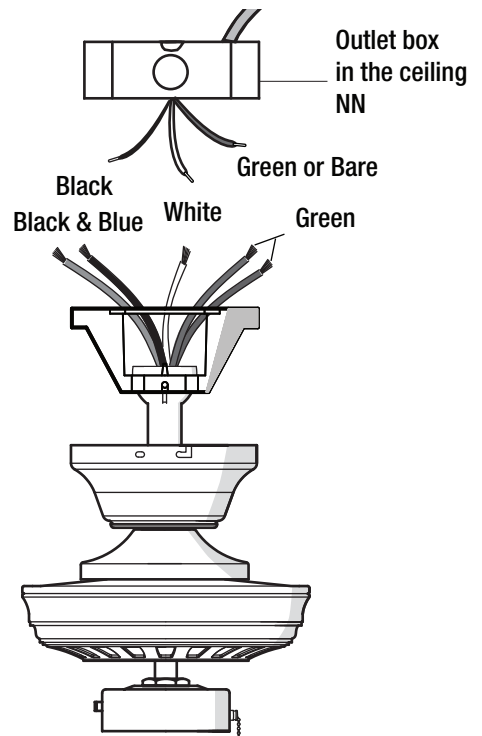


IMPORTANT: Use the wire connecting nuts (CC) supplied with your fan. Secure the connectors with electrical tape and ensure there are no loose strands or connections.



NOTE: The fan comes with 54 in. lead wires for use with an extended ball/downrod assembly. If using the 4.5 in. ball/downrod assembly (B) provided, you can cut the lead wires to your desired length (no shorter than 12 in.).

- The fan comes with 54 in. lead wires for use with an extended ball/downrod assembly. If using the 4.5 in. ball/downrod assembly (B) provided, you can cut the lead wires to your desired length (no shorter than 12 in.) This will make extra room in the canopy (C), if you do not wish to cut the wires, you will need to neatly wrap them.
- Connect the fan motor green wire(s) to the household green or bare wire using a wire connecting nut (CC).
- Connect the fan motor white wire to the household white wire using a wire connecting nut (CC).
- Connect the fan motor black and blue wires to the household black wire using a wire connecting nut (CC).
- Secure each wire connecting nut using electrical tape.
- Turn the wire connecting nut (CC) upward and push the wiring into the outlet box (NN).



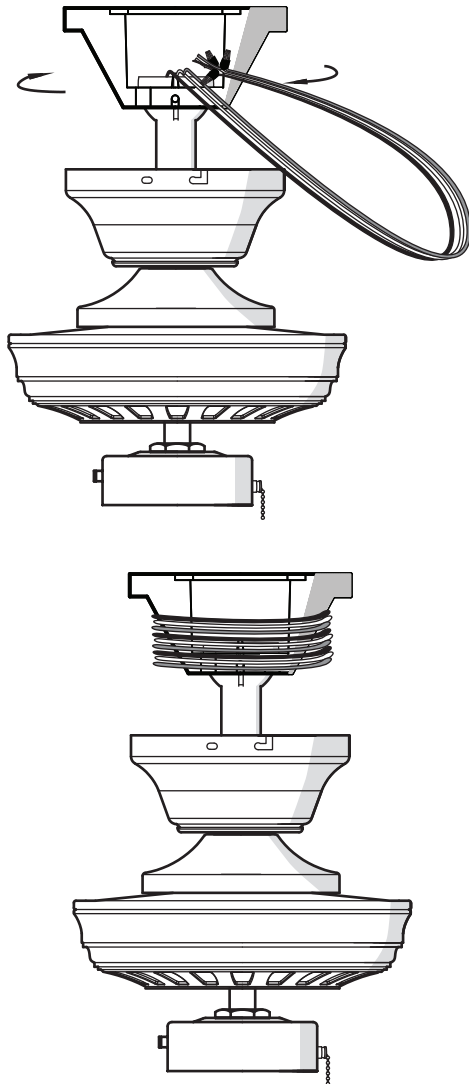
Assembly - Hanging the Fan (continued)

4 Wrapping the extra wire



NOTE: Follow this step **ONLY** if you did not cut the extra length off from the wires coming from the ceiling fan.

- Gently wrap the excess wire around the mounting bracket.
- Secure with electrical tape.

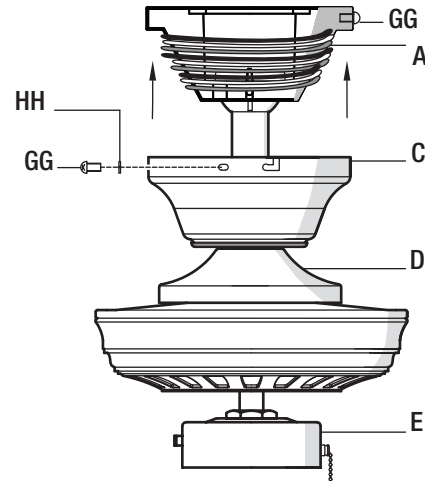


5 Mounting the fan



WARNING: When using the standard ball/downrod mounting, the tab in the ring at the bottom of the mounting bracket must rest in the groove of the hanger ball. Failure to properly seat the tab in the groove could cause damage to the wiring.

- Align the locking slots of the ceiling canopy (C) with the two screws in the mounting bracket (A). Push up to engage the slots, and turn clockwise to lock the canopy (C) in place.
- Firmly tighten the two mounting screws (GG).
- Install the remaining two mounting screws (GG) and washers (HH) into the holes in the canopy (C) and tighten firmly.



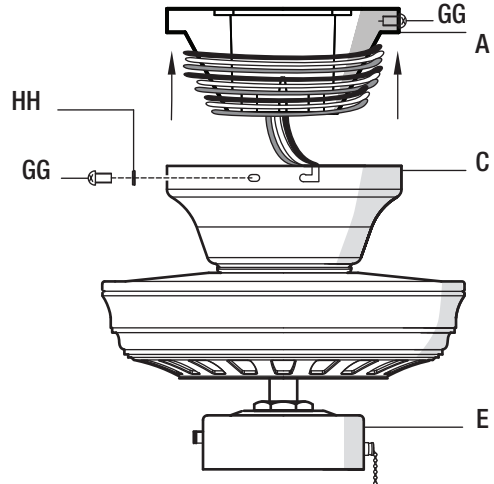
Assembly - Hanging the Fan (continued)

6 Close-to-Ceiling mounting



WARNING: The locking slots of the ceiling canopy are provided only as an aid to mounting. Do not leave the fan assembly unattended until all four canopy screws are engaged and firmly tightened.

- Carefully unhook the fan from the mounting bracket (A) and align the locking slots of the ceiling canopy (C) with the two screws in the mounting bracket (A). Push up to engage the slots and turn clockwise to lock the canopy (C) in place. Immediately tighten the two mounting screws (GG) firmly.
- Install the remaining two mounting screws (GG) and washers (HH) into the holes in the canopy (C) and tighten firmly.



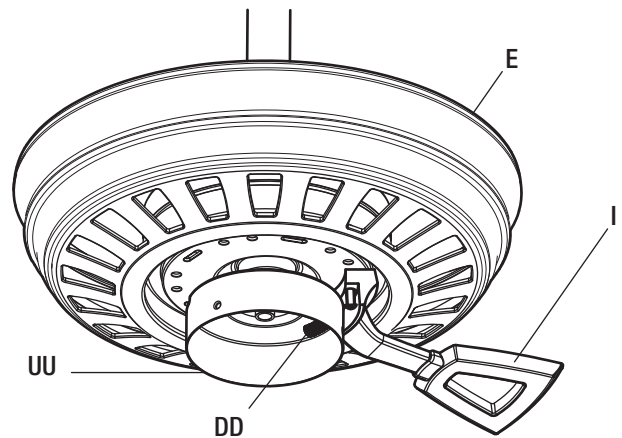
Assembly - Attaching the Fan Blades

1 Attaching the blade brackets



NOTE: The hole for the rubber plug (DD) is the access point to the blade bracket (I) screws. After tightening all of the blade bracket screws, insert the rubber plug (DD) to prevent water from entering the switch housing and to reduce the risk of fire, electric shock, or other personal injury.

- Fasten the blade bracket (I) to the motor (E) by inserting the alignment post into the slot on the bottom of the fan-motor assembly (E) and tightening the motor screws that are pre-assembled to the blade bracket (I).
- Repeat for the remaining four blade brackets (I).
- Insert the rubber plug (DD) into the hole in the switch cup (UU).



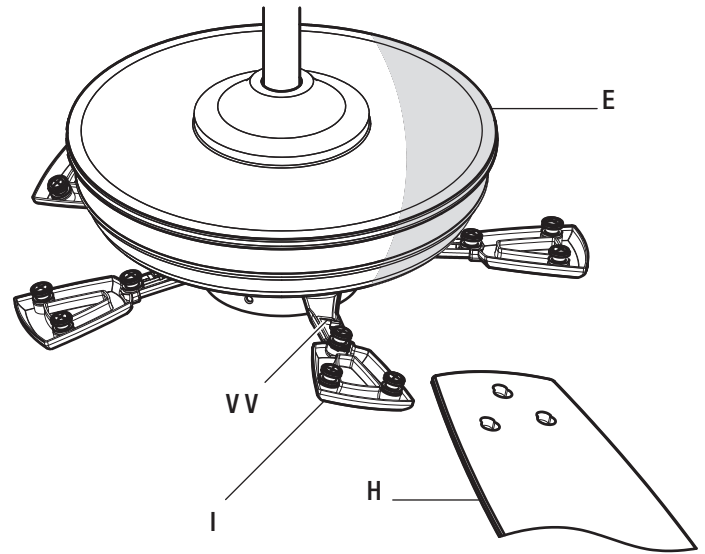
Assembly - Attaching the Fan Blades (continued)

2 Attaching the fan blades



NOTE: Your fan features revolutionary advancements for quick and easy blade installation.

- Mount the fan blades (H) to the blade bracket (I) by aligning the three key-slot holes in the blade (H) with the three posts on the top of the blade brackets (I).
- Hold the blade (H) close to the blade bracket (I) and press the blade (H) down firmly. Ensure the key-slot holes are properly seated on the blade arm posts.
- While still holding the blade (H) down, firmly slide the blade (H) away from the bracket (I) side until the blade (H) engages in the locking mechanism (V V).
- Make sure the locking mechanism (V V) at the rear of the blade bracket (I) springs upward and butts against the edge of the blade (H) indicating a secure connection.
- Visually inspect the top of the blade bracket (I) to ensure the locking mechanism (V V) is securely in place.
- Repeat for the remaining blades (H).



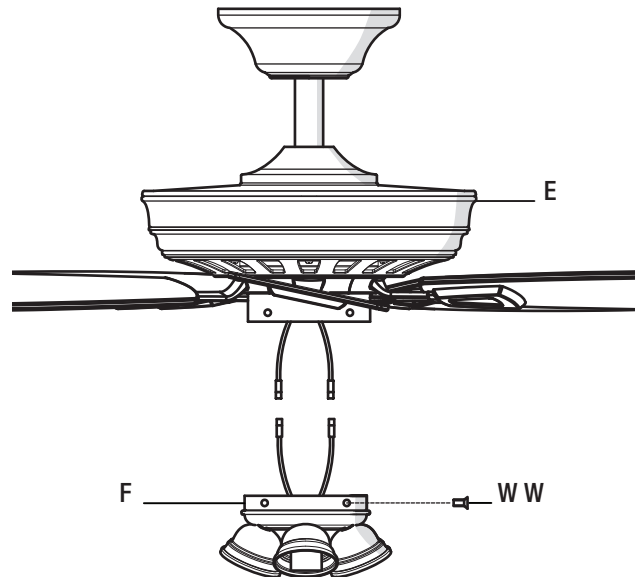
Assembly - Attaching the Light Kit

1 Attaching the light kit



CAUTION: To reduce the risk of electric shock, disconnect the electrical supply circuit to the fan before installing the light kit.

- Remove the three screws (WW) from the light kit fitter assembly (F).
- Connect the wires exiting the bottom of the motor assembly (E) by connecting the molded adaptor plugs together (blue to black, and white to white).
- Slide the light kit (F) and secure it to the switch housing using the three screws (WW) that were removed in the first step.



Assembly - Attaching the Light Kit

2 Attaching the shades and installing the bulbs



CAUTION: Make sure the power is off before attaching or removing the shades.

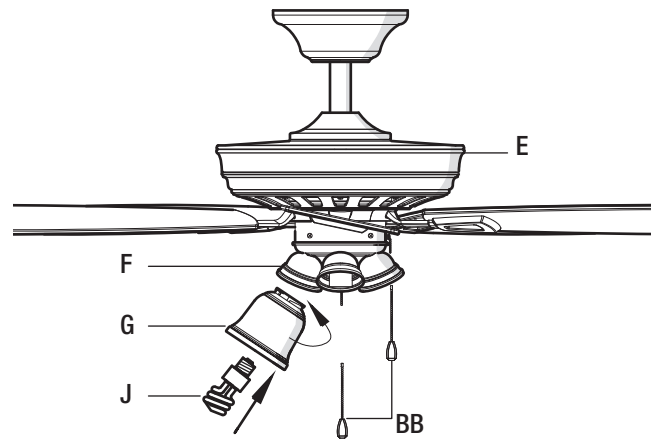


WARNING: Allow the bulbs to cool completely before replacing.

- Twist the plastic shade (G) into light kit fitter (F) clockwise.
- Install the bulbs (J) into the sockets on the light kit fitter (F).
- Attach the pull chain extensions (BB).



CAUTION: Over lamping the fan will result in the fan lights shutting down until the proper wattage bulbs are installed. Reset the lights by turning off the power, replacing the bulbs with the correct wattage bulbs, and turn the power on.



Operation

Turn on the power and check the operation of the fan. The pull chain controls the fan speeds as follows:

1 pull - High, 2 pulls - Medium, 3 pulls - Low, 4 pulls - off

The appropriate speed settings for warm or cool weather depends on factors such as the room size, ceiling height, and number of fans.

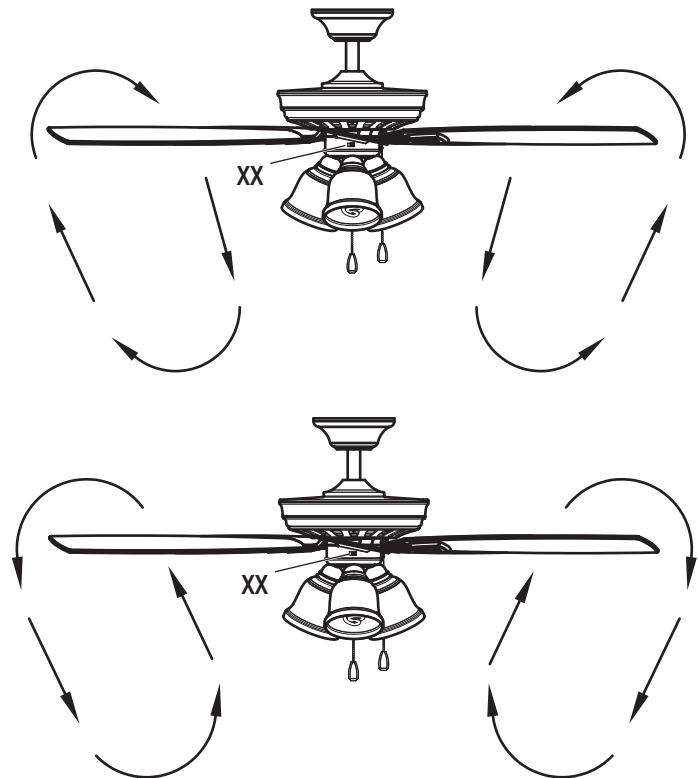
The slide switch (XX) controls the direction of the blades: forward (switch left) or reverse (switch right).



NOTE: Wait for the fan to stop before reversing the direction of blade rotation.

Warm weather - (Forward) A downward airflow creates a cooling effect. This allows you to set your air conditioner on a warmer setting without affecting your comfort.

Cool weather - (Reverse) An upward airflow moves warm air off of the ceiling. This allows you to set your heating unit on a cooler setting without affecting your comfort.



Care and Cleaning



WARNING: Make sure the power is off before cleaning your fan.

- Because of the fan's natural movement, some connections may become loose. Check the support connections, brackets, and blade attachments twice a year. Make sure they are secure. It is not necessary to remove the fan from the ceiling.
- Clean your fan periodically to help maintain its new appearance over the years. Do not use water when cleaning, as this could damage the motor, or the wood, or possibly cause an electrical shock. Use only a soft brush or lint-free cloth to avoid scratching the finish. The plating is sealed with a lacquer to minimize discoloration or tarnishing.
- You can apply a light coat of furniture polish to the wood for additional protection and enhanced beauty. Cover small scratches with a light application of shoe polish.
- You do not need to oil your fan. The motor has permanently-lubricated sealed ball bearings.

Troubleshooting

Problem	Solution
The fan will not start.	<ul style="list-style-type: none">□ Check the main and branch circuit fuses or breakers.□ Check the line wire connections to the fan and switch wire connections in the switch housing.
The fan is noisy.	<ul style="list-style-type: none">□ Ensure all motor housing screws are snug.□ Ensure the screws that attach the fan blade bracket to the motor hub are tight.□ Ensure the wire nut connections are not rattling against each other or the interior wall of the switch housing.□ Allow a 24-hour "breaking in" period. Most noises associated with a new fan disappear during this time.□ If you are using the Ceiling Fan light kit, ensure the screws securing the glassware are tight. Check that the light bulbs are also secure.□ Ensure the canopy is a short distance from the ceiling. It should not touch the ceiling.□ Ensure your outlet box is secure and rubber isolator pads were used between the mounting plate and outlet box.
The fan wobbles.	<ul style="list-style-type: none">□ Check that all blade and blade arm screws are secure.□ Most fan wobble problems are caused when blade levels are unequal. Check this level by selecting a point on the ceiling above the tip of one of the blades. Measure from a point on the center of each blade to the point on the ceiling. Measure this distance. Rotate the fan until the next blade is positioned for measurement. Repeat for each blade. Any measurement deviation should be within 1/8 in. Run the fan for ten minutes. If the fan continues to wobble please contact Customer Service and a balancing kit will be sent to you at no charge.

HOME DECORATORS COLLECTION

Questions, problems, missing parts? Before returning to the store,
call Home Depot Customer Service
8 a.m. - 6 p.m., EST, Monday-Friday

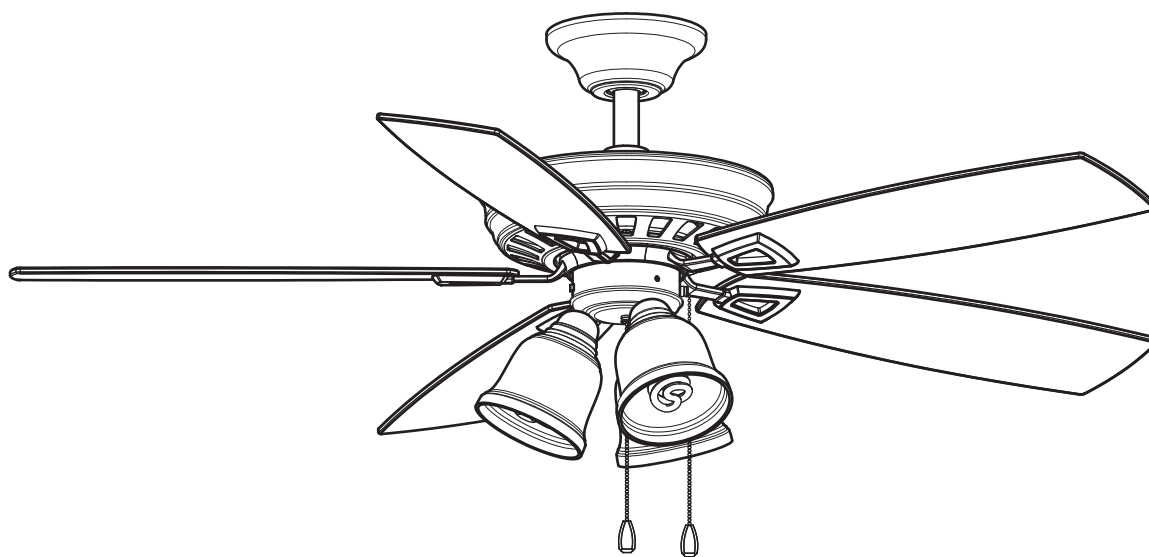
1-800-986-3460

[HOMEDEPOT.COM/HOMEDECORATORS](https://www.homedepot.com/homedecorators)

Retain this manual for future use.

GUÍA DE USO Y MANTENIMIENTO

VENTILADOR DE TECHO GAZELLE DE 1.32 M



¿Preguntas, problemas o piezas faltantes? Antes de regresar a la tienda, llama al servicio al cliente de Home Decorators Collection de lunes a viernes entre 8 a.m. y 6 p.m. (hora estándar del Este).

1-800-986-3460

HOMEDEPOT.COM/HOMEDECORATORS

GRACIAS POR TU COMPRA

Apreciamos la confianza que has depositado en Home Decorators Collection al comprar este ventilador de techo. Nos esforzamos para continuamente crear productos de calidad diseñados para mejorar tu hogar. Visítanos por Internet para ver nuestra línea completa de productos disponibles para las necesidades de mejoras de tu hogar. ¡Gracias por elegir Home Decorators Collection!

Tabla de contenido

Tabla de contenido	2	Ensamblaje.....	7
Información de seguridad.....	2	Funcionamiento	13
Garantía	3	Mantenimiento y limpieza.....	14
Preinstalación	3	Solución de problemas	14
Instalación.....	6		

Información de seguridad

1. Todo el cableado debe cumplir con el Código Nacional de Electricidad ANSI/NFPA 70 y con los códigos locales de electricidad. La instalación eléctrica debe ser hecha por un electricista certificado y calificado.
2. La caja eléctrica y estructura de soporte deben montarse de forma segura y tener capacidad para sostener de manera confiable 15.9 kg. Usa solamente cajas eléctricas aprobadas por UL marcadas como "apropiada para sostener ventiladores de 15.9 kg o menos".
3. El ventilador debe ir montado con un mínimo de 2.13 m de separación entre el borde trasero de las aspas y el piso.
4. No muevas el interruptor de reversa mientras las aspas del ventilador estén en movimiento. Debes apagar y detener las aspas antes de dar reversa a la dirección de estas.
5. No coloques objetos en la trayectoria de las aspas.
6. Los diagramas eléctricos son solo para referencia. Los juegos de luces no incluidos con el ventilador deben estar aprobados por UL y marcados como apropiados para ser usados con el modelo de ventilador a instalar. Los interruptores deberán estar clasificados por UL como de uso general. Consulta las instrucciones adjuntas a los kits de luces e interruptores para obtener información sobre el ensamblaje adecuado. Usa bombillas CFL de un máximo de 14 watts (incluidas).
7. Después de concluir las conexiones eléctricas, debes voltear los conductores empalmados hacia arriba y meterlos con cuidado en la caja eléctrica. Los cables deben estar separados con el cable a tierra y el conductor a tierra del equipo hacia uno de los lados de la caja eléctrica.
8. Todos los tornillos de fijación deben ser verificados y ajustados donde sea necesario, antes de la instalación.
9. Adecuado para uso en lugares húmedos si se instala en un circuito derivado protegido por un interruptor diferencial (GFCI). Usar solamente con kits de luces marcados como "Adecuados para uso en lugares húmedos".



ADVERTENCIA: Para reducir el riesgo de lesiones personales, no dobles los soportes de las aspas (también llamados "bridas") durante el ensamblaje ni después de la instalación. No coloques objetos en la trayectoria de las aspas.



ADVERTENCIA: Quita los tapones de goma del motor que están en la parte inferior del ventilador antes de instalar las aspas o probar el motor.



ADVERTENCIA: Para disminuir el riesgo de incendio o descarga eléctrica, no utilices este ventilador con ningún dispositivo de control de velocidad de estado sólido.



ADVERTENCIA: Para reducir el riesgo de incendio, descarga eléctrica o lesiones personales, instala solo en una caja eléctrica clasificada como "apropiada para sostener ventiladores de 15.9 kg o menos" y usa los tornillos que vienen con esta.



ADVERTENCIA: Para evitar una posible descarga eléctrica, corta la energía eléctrica en la caja principal de fusibles antes de instalar el cableado. Si crees que no tienes suficiente experiencia o conocimientos sobre cableado eléctrico, contrata a un electricista certificado.



PRECAUCIÓN: Para reducir el riesgo de lesiones personales, usa solamente los tornillos incluidos con la caja eléctrica.



PRECAUCIÓN: Para evitar lesiones, o daños al ventilador y otros objetos, ten cuidado al trabajar cerca del ventilador o al limpiarlo.

Garantía

El proveedor garantiza de por vida, a partir de la fecha en que el comprador original lo adquiere, que el motor del ventilador no presenta defectos de fabricación ni de materiales al momento en que es enviado desde la fábrica. El proveedor también garantiza por un período de dos años a partir de la fecha de compra por el comprador original, que todas las demás piezas del ventilador, sin incluir ninguna aspa de vidrio o acrílico, no presentarán ningún defecto de fabricación o de material desde el momento de su salida de la fábrica. Acordamos reparar todos los defectos del tipo antes mencionado, sin cargo alguno o, a nuestra discreción, reemplazar el producto por un modelo de igual calidad o superior si el producto es devuelto. Para obtener servicio de garantía, debe presentar una copia del recibo como comprobante de compra. Todos los costos de retiro y reinstalación del producto son su responsabilidad. Los daños a cualquiera de las piezas como resultado de accidentes, uso inadecuado, instalación inadecuada, o debidos a la instalación de cualquier accesorio, no están cubiertos bajo esta garantía. Debido a que las condiciones climáticas pueden variar, esta garantía no cubre ningún cambio en el acabado en bronce, incluyendo óxido, perforación, corrosión, manchas o descascaramiento. Los acabados en bronce de este tipo tienen una vida útil más prolongada cuando se los protege de las condiciones climáticas cambiantes. Es normal cierta "oscilación" y no se considerará un defecto. Cualquier servicio realizado por personal no autorizado invalidará la garantía. No existe ninguna otra garantía expresa. Mediante la presente, Home Depot Decorators Collection se exime de cualquier garantía, incluyendo pero sin limitarnos a aquellas de comercialización e idoneidad para un fin particular, de acuerdo a lo contemplado por la ley. La duración de cualquier garantía implícita que no se pueda eximir está limitada al período de tiempo especificado en la garantía explícita. Algunos estados no permiten una limitación en la duración de la garantía; por consiguiente, la limitación anterior puede no aplicarse a su caso. El minorista no será responsable por daños directos, indirectos o especiales que resulten o deriven del uso o rendimiento del producto, excepto en casos en que lo estipule la ley. Algunos estados no permiten la exclusión o limitación de daños directos o indirectos, por lo que la limitación o exclusión anterior podría no aplicarse a su caso. Esta garantía le otorga derechos legales específicos y es posible que también tenga otros derechos que varían de un estado a otro. Esta garantía sustituye todas las garantías anteriores. Los costos de envío de cualquier devolución de productos hecha como parte de una reclamación de garantía están a cargo del cliente.

Comuníquese con el equipo de servicio al cliente al 1-800-986-3460 o visite www.HomeDepot.com/homedecorators.

Preinstalación

ESPECIFICACIONES

Tamaño	Velocidad	Voltios	Amperes	Watts	RPM	CFM	Peso neto	Peso bruto	Pies cúbicos
1.32 m	Baja	120	0.24	12	73	2600	18.92 lbs. (8.6 kg)	21.34 lbs. (9.7 kg)	1.65 pies ³
	Media		0.33	23	108	3682			
	Alta		0.51	61	172	5825			



NOTA: Estas medidas son aproximadas. No incluyen ni el amperaje ni el vataje consumido por el kit de luces.



HERRAMIENTAS NECESARIAS



Destornillador
Phillips



Destornillador
plano



Llave
ajustable



Cinta de
electricista



Pelacables/
cortacables



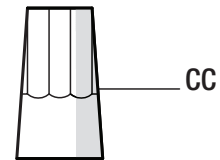
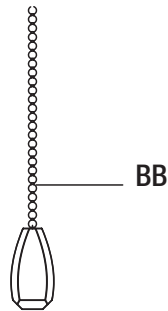
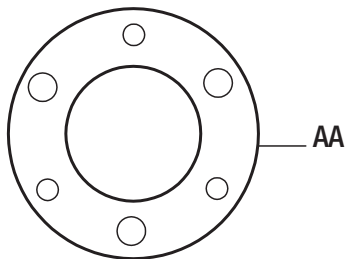
Escalera de tijera

Preinstalación (continuación)

HERRAJES INCLUIDOS



NOTA: No se muestra el tamaño real de los herrajes.

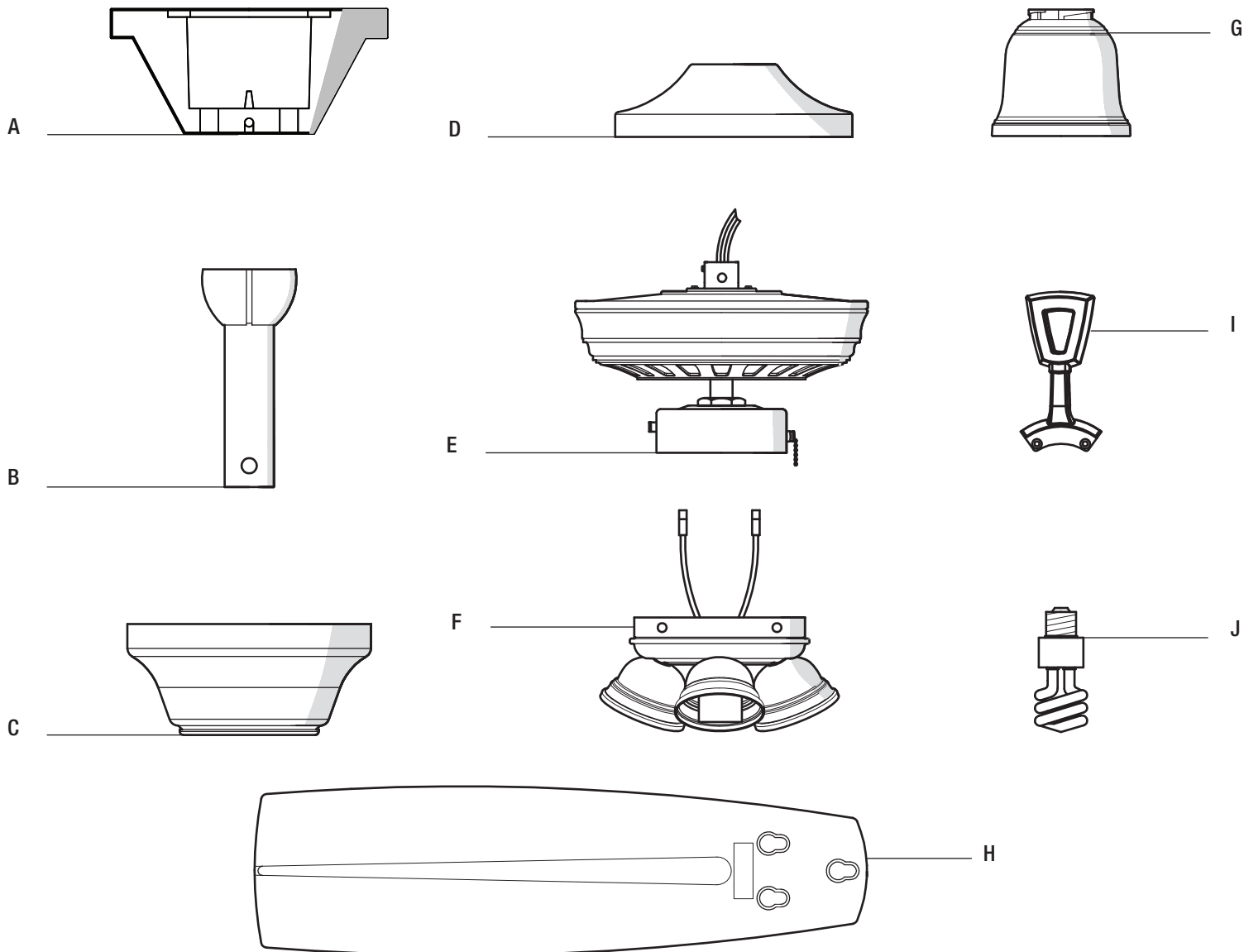


Pieza	Descripción	Cantidad
AA	Junta de goma	1
BB	Cadena del interruptor	2
CC	Conector plástico para cables	3
DD	Tapón de goma	1

Pieza	Descripción	Cantidad
EE	Pasador de soporte	1
FF	Pasador de cierre	1

Preinstalación (continuación)

CONTENIDO DEL PAQUETE



Pieza	Descripción	Cantidad
A	Soporte de montaje deslizante (dentro de la cubierta)	1
B	Ensamblaje de tubo bajante/bola	1
C	Cubierta	1
D	Cubierta del acoplador	1

Pieza	Descripción	Cantidad
E	Ensamblaje del motor del ventilador	1
F	Ensamblaje del soporte del kit de luces	1
G	Pantallas de polipropileno (PP)	3
H	Aspa	5
I	Soporte de aspa	5
J	Bombilla CFL, máximo de 14 W	3



IMPORTANTE: Este producto o sus componentes están protegidos por una o más de las siguientes patentes de los EE. UU.: 5,947,436; 5,988,580; 6,010,110; 6,046,416, 6,210,117 y otras patentes pendientes.

Instalación

OPCIONES DE MONTAJE

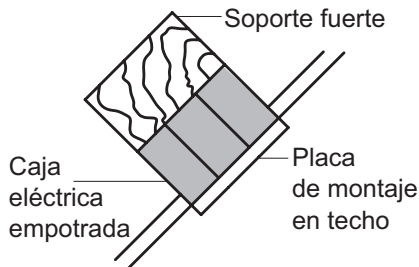
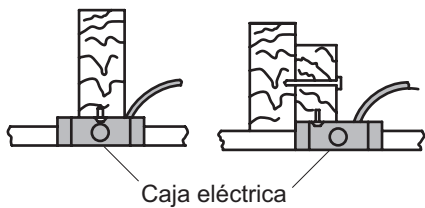
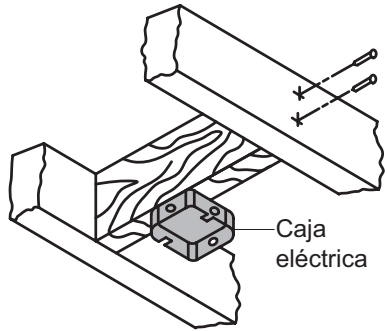


ADVERTENCIA: Para reducir el riesgo de incendio, descarga eléctrica o lesiones personales, instala solo en una caja eléctrica clasificada como “apropiada para sostener ventiladores de 15.9 kg o menos” y usa los tornillos que vienen con esta. Las cajas eléctricas utilizadas comúnmente para el soporte de lámparas pueden no servir como soporte de ventilador y tal vez deban reemplazarse. En caso de duda, consulta a un electricista calificado.

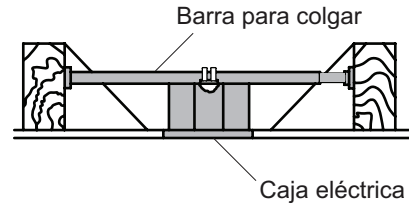
Si tu ventilador de techo no tiene una caja de montaje aprobada por UL, instala una siguiendo las instrucciones a continuación:

- Desconecta la energía retirando los fusibles o apagando los cortacircuitos.
- Asegura la caja eléctrica directamente a la estructura de la edificación. Usa sujetadores y materiales apropiados. La caja eléctrica y su soporte deben poder sostener el peso completo del ventilador en movimiento (al menos 15.9 kg). No uses una caja eléctrica de plástico.

Las ilustraciones a continuación muestran tres formas distintas de montar la caja eléctrica.



NOTA: Tal vez necesites un tubo bajante más largo para mantener la altura mínima adecuada de las aspas al instalar el ventilador en un techo inclinado. El ángulo máximo permitido es de 30° con respecto a la posición horizontal.



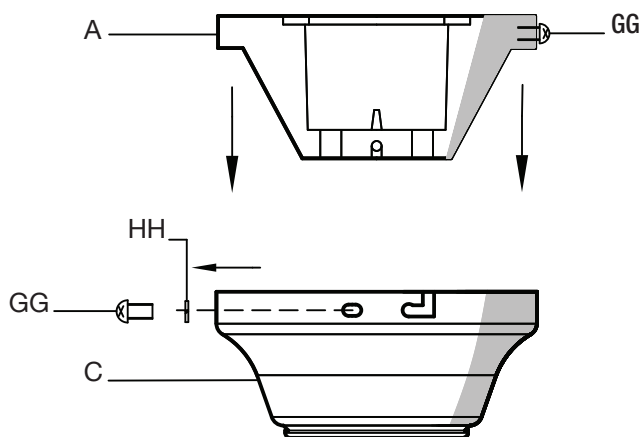
Si la cubierta toca el tubo bajante, retira la tapa inferior de la cubierta y gira la cubierta 180° antes de fijarla a la placa de montaje.

Para colgar el ventilador donde ya haya una lámpara pero ninguna viga de techo, tal vez necesites una barra para colgar como se muestra anteriormente (disponible en cualquier tienda de The Home Depot).

Ensamblaje - Montaje estándar en techo

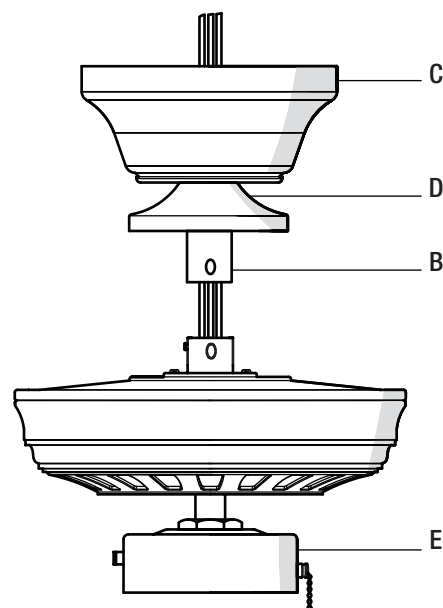
1 Preparación para el montaje

- Retira la placa de montaje (A) de la cubierta (C) aflojando los cuatro tornillos en la parte superior de la cubierta (C).
- Retira el soporte de montaje (A) de la cubierta (C) aflojando los dos tornillos de la cubierta (GG) ubicados en las ranuras en forma de "L".
- Quita y guarda los dos tornillos de la cubierta (GG) y las arandelas (HH) en los orificios redondos. Esto te permitirá retirar el soporte de montaje (A).



2 Disposición de los cables

- Asegúrate de que las aberturas en forma de ranura estén en la parte superior e inserta los cables primero por la cubierta del acoplador (D), por la cubierta (C), y luego a través del ensamblaje de tubo bajante/bola (B).

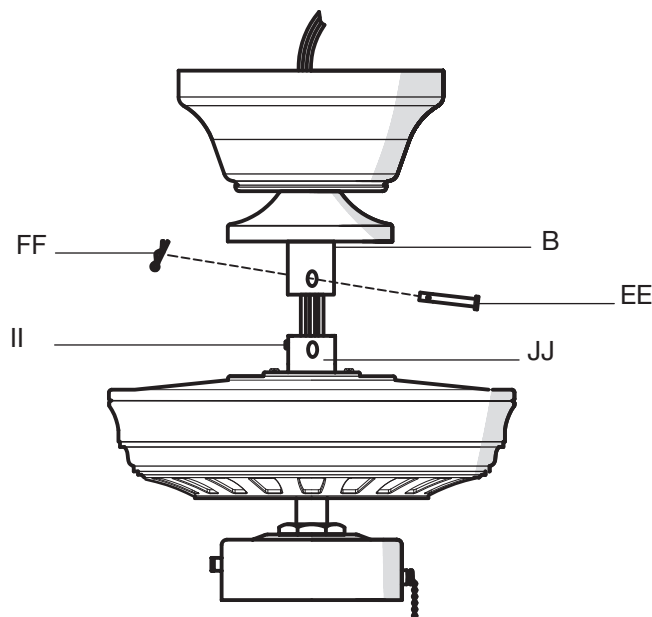


3 Cómo ensamblar el ventilador



ADVERTENCIA: Si no instalas correctamente el pasador de cierre es posible que el ventilador se afloje y se caiga.

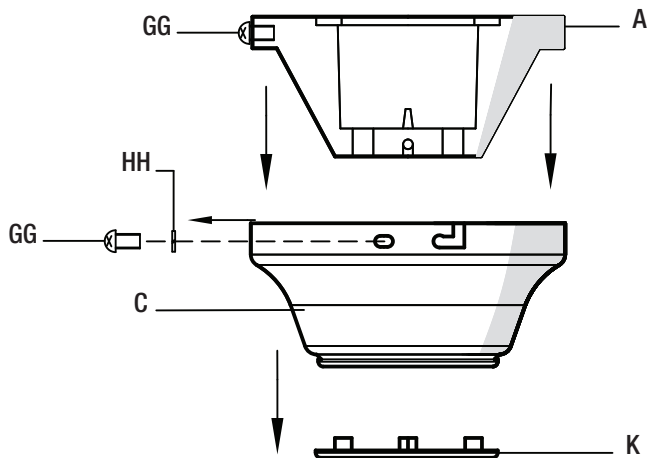
- Afloja, sin quitar, los dos tornillos de fijación (II) del collarín (JJ) ubicados en la parte superior de la carcasa del motor.
- Alinea los orificios en la parte inferior del tubo bajante (B) con los orificios en el collarín (JJ) en la parte superior de la carcasa del motor.
- Inserta con cuidado el pasador de soporte (EE) a través de los orificios del collarín (JJ) y del tubo bajante (B). Ten cuidado de no forzar el pasador de soporte (EE) contra el cableado dentro del tubo bajante (B).
- Inserta el pasador de cierre (FF) en el orificio cercano al extremo del pasador de soporte (EE) hasta que quede encajado en su posición.
- Vuelve a ajustar los dos tornillos de fijación (II) del collarín (JJ) ubicados en la parte superior de la carcasa del motor.



Ensamblaje – Montaje cerca del techo

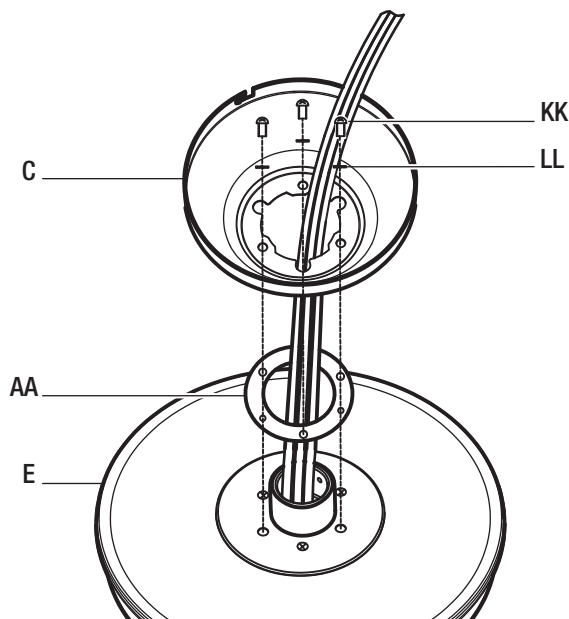
1 Preparación para el montaje

- ❑ Retira el soporte de montaje (A) de la cubierta (C) aflojando los dos tornillos de la cubierta (GG) ubicados en las ranuras en forma de L.
- ❑ Quita y guarda los dos tornillos de la cubierta (GG) y las arandelas (HH) en los orificios redondos. Esto te permitirá retirar el soporte de montaje (A).
- ❑ Retira la cubierta inferior decorativa (K) de la cubierta (C) oprimiendo los tres pernos ubicados en el interior de la parte inferior de la cubierta.



2 Disposición de los cables

- ❑ Retira tres de los seis tornillos (KK) y arandelas de seguridad (LL) (alternados) que sujetan el collarín del motor a la parte superior de la carcasa del motor del ventilador (E).
- ❑ Coloca la junta de goma (AA) sobre los tres tornillos restantes. Asegúrate de que las aberturas de ranura estén arriba, luego procede a colocar la cubierta de techo (C) sobre el collarín en la parte superior del motor (E).
- ❑ Alinea los orificios de montaje con los orificios del motor (E) y asegura con los tres tornillos (KK) y arandelas de seguridad (LL) retirados anteriormente.
- ❑ Aprieta bien los tornillos de montaje.



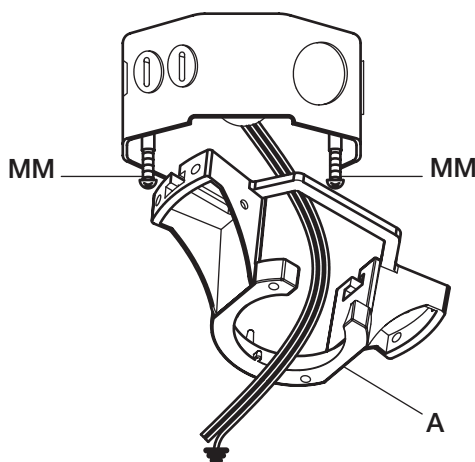
Ensamblaje - Cómo colgar el ventilador

1 Cómo fijar el ventilador a la caja eléctrica



ADVERTENCIA: Para reducir el riesgo de incendio, descarga eléctrica o lesiones personales, instala solo en una caja eléctrica clasificada como "apropiada para sostener ventiladores de 15.9 kg o menos" y usa los tornillos que vienen con esta.

- ❑ Pasa los cables de suministro de 120 voltios a través del orificio central en el soporte de montaje (A).
- ❑ Instala el soporte de montaje de techo sobre la caja eléctrica deslizando el soporte de montaje (A) sobre los dos tornillos (MM) suministrados con la caja eléctrica. Si es necesario, usa arandelas niveladoras (no incluidas) entre el soporte de montaje (A) y la caja eléctrica. Recuerda que el lado plano del soporte de montaje (A) apunta hacia la caja eléctrica. Cuando uses el montaje cerca del techo, es importante que el soporte de montaje esté nivelado.
- ❑ Aprieta bien los dos tornillos de montaje (MM).



Ensamblaje - Cómo colgar el ventilador (continuación)

2 Cómo colgar el ventilador



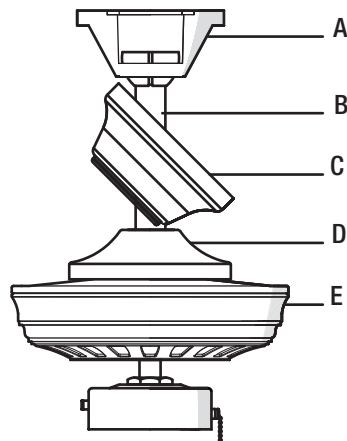
ADVERTENCIA: El gancho (00) debe usarse para sostener el ventilador solamente mientras se hacen las conexiones eléctricas. Si no se cuelga como se muestra, puede romperse el gancho (00) y el ventilador se caerá. El gancho debe pasar de adentro hacia fuera de la cubierta.



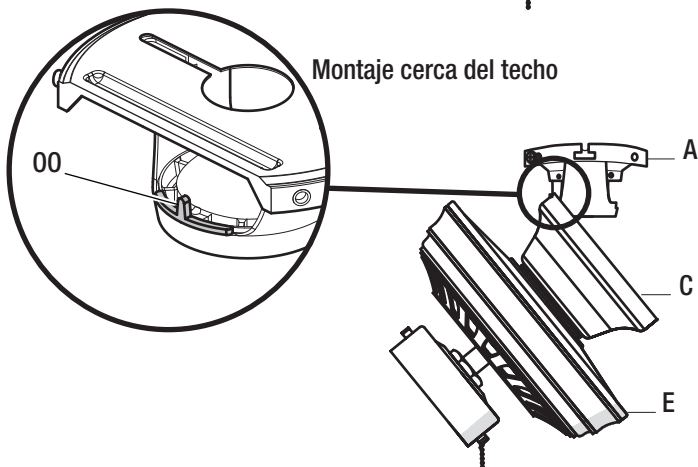
ADVERTENCIA: Al colgar el ventilador en el gancho (00), es fundamental que uses uno de los orificios sin ranura (redondos) de la cubierta (C).

- ❑ Con cuidado, levanta el ensamblaje del motor del ventilador (E) hasta el soporte de montaje deslizante (A).
- ❑ Inserta la bola de soporte del ensamblaje del tubo bajante/bola en el casquillo del soporte de montaje deslizante (A).
- ❑ Gira el ensamblaje del tubo bajante/bola de izquierda a derecha hasta que quede encajado, con la pestaña del soporte de montaje deslizante alineada con la ranura de la bola.
- ❑ Si usas el montaje cerca del techo, cuelga el ventilador del gancho suministrado usando uno de los orificios en el borde exterior de la cubierta de techo (C).

Montaje estándar



Montaje cerca del techo



3 Cómo hacer las conexiones eléctricas

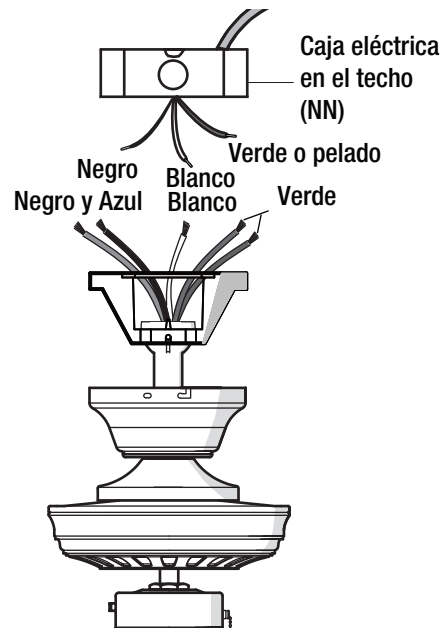


IMPORTANTE: Usa las tuercas de conexión de cables (CC) incluidas con tu ventilador. Sujeta los conectores con cinta de electricista y asegúrate de que no haya conexiones o cables sueltos.



NOTA: El ventilador viene con cables terminales de 1.37 m para usar con un ensamblaje extendido de tubo bajante/bola. Si usas el ensamblaje extendido de tubo bajante/bola (B) de 11.4 cm incluido, puedes recortar los cables terminales al largo deseado (no menos de 30.5 cm).

- ❑ El ventilador viene con cables terminales de 1.37 m para uso con un ensamblaje extendido de tubo bajante/bola. Si usas el ensamblaje extendido de tubo bajante/bola (B) de 11.4 cm incluido, puedes recortar los cables terminales al largo deseado (no menos de 30.5 cm). Esto dejará más espacio en la cubierta (C). Si no quieres cortar los cables, deberás enrollarlos cuidadosamente.
- ❑ Conecta los cables verdes del motor del ventilador a los cables verde o desnudo del hogar usando una tuerca de conexión de cables (CC).
- ❑ Conecta el cable blanco del motor del ventilador al cable blanco del hogar usando una tuerca de conexión de cables (CC).
- ❑ Conecta los cables negro y azul del motor del ventilador al cable negro del hogar usando una tuerca de conexión de cables (CC).
- ❑ Asegura cada tuerca de conexión de cables con cinta de electricista.
- ❑ Gira la tuerca de conexión de cables (CC) hacia arriba y coloca el cableado dentro de la caja eléctrica (NN).



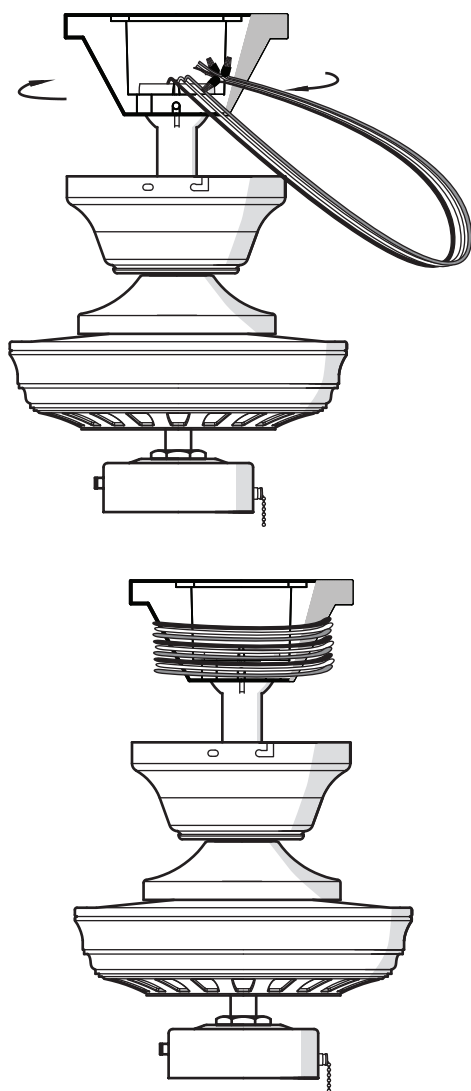
Ensamblaje - Cómo colgar el ventilador (continuación)

4 Cómo enrollar el cable sobrante



NOTA: Sigue estos pasos SOLAMENTE si no cortaste el cable sobrante del ventilador de techo.

- Con cuidado, enrolla el exceso de cable alrededor del soporte de montaje.
- Asegura con cinta de electricista.

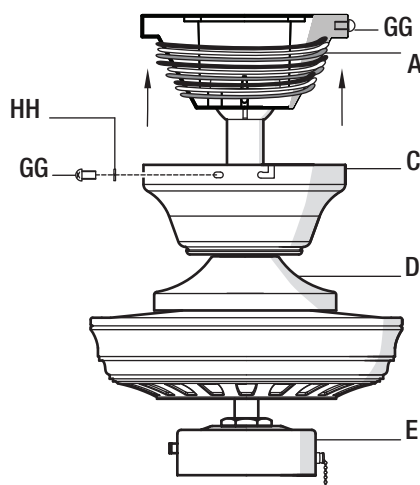


5 Cómo montar el ventilador



ADVERTENCIA: Cuando uses el ensamblaje del tubo bajante/bola estándar, la pestaña en el aro en la parte inferior del soporte de montaje debe encajar en la ranura de la bola de soporte. Si la pestaña no se asienta correctamente en la ranura, se puede dañar el cableado.

- Alinea las ranuras de cierre de la cubierta de techo (C) con los dos tornillos del soporte de montaje (A). Alza para enganchar las ranuras y gira en el sentido de las manecillas del reloj para asegurar la cubierta (C) en su sitio.
- Ajusta firmemente los dos tornillos de montaje (GG).
- Instala los dos tornillos de montaje (GG) restantes y las arandelas (HH) en los orificios de la cubierta (C) y aprieta firmemente.



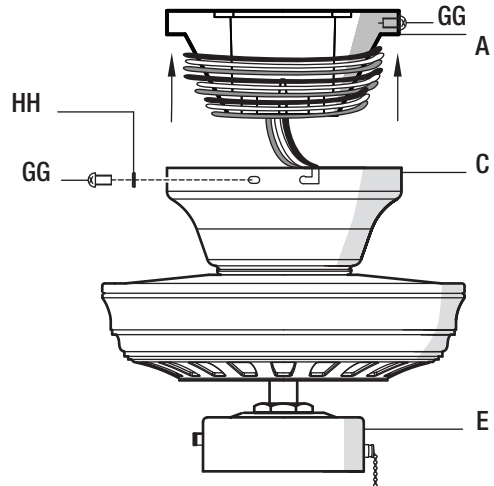
Ensamblaje - Cómo colgar el ventilador (continuación)

6 Montaje cerca del techo



ADVERTENCIA: Las ranuras de encaje de la cubierta del techo solo sirven de ayuda durante el montaje. No dejes de vigilar el ensamblaje del ventilador hasta que los cuatro tornillos de la cubierta estén fijos y firmemente ajustados.

- Con cuidado, desengancha el ventilador del soporte de montaje (A) y alinea las ranuras de cierre de la cubierta del techo (C) con los dos tornillos en el soporte de montaje (A). Alza para enganchar las ranuras y gira en el sentido de las manecillas del reloj para asegurar la cubierta (C) en su sitio. Ajusta inmediatamente los dos tornillos de montaje (GG) con firmeza.
- Instala los dos tornillos de montaje (GG) restantes y las arandelas (HH) en los orificios de la cubierta (C) y aprieta firmemente.



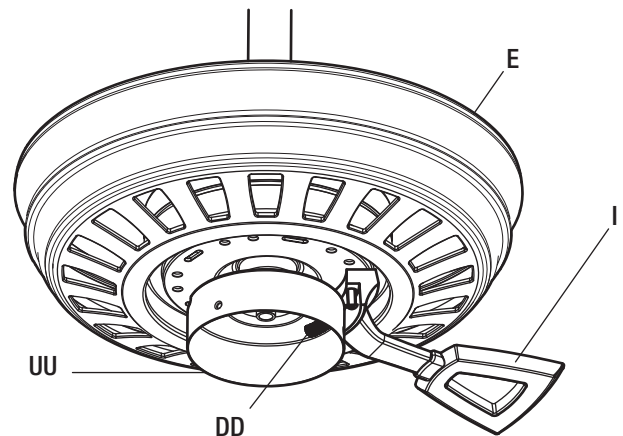
Ensamblaje - Cómo fijar las aspas del ventilador

1 Cómo fijar los soportes de las aspas



NOTA: El orificio para el tapón de goma (DD) está en el punto de acceso a los tornillos del soporte del aspa (I). Después de apretar todos los tornillos del soporte del aspa, inserta el tapón de goma (DD) para evitar que entre agua a la caja del interruptor y reducir el riesgo de incendios, descargas eléctricas u otras lesiones físicas.

- Ajusta el soporte del aspa (I) al motor (E) insertando el poste de alineación dentro de la ranura de la parte inferior del motor del ventilador (E) y ajustando los tornillos del motor que están pre-ensamblados al soporte de aspa (I).
- Repite este procedimiento para los cuatro soportes de aspas (I) restantes.
- Inserta el tapón de goma (DD) en el orificio en la caja del interruptor (UU).



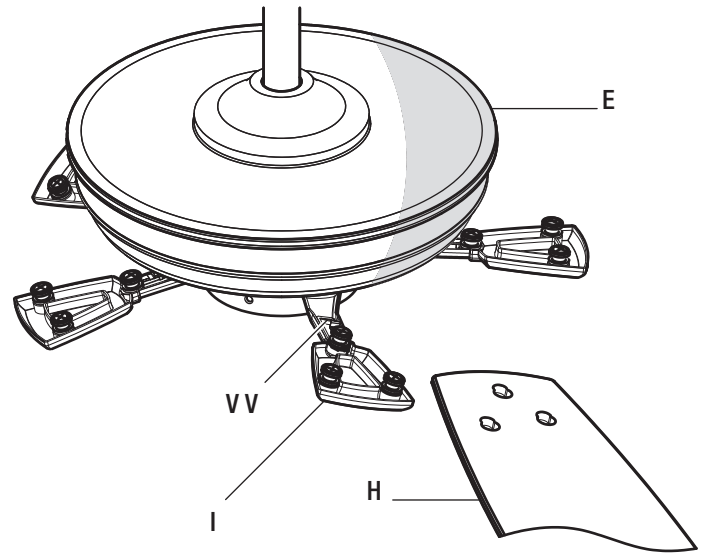
Ensamblaje - Cómo fijar las aspas del ventilador (continuación)

2 Cómo fijar las aspas del ventilador



NOTA: El ventilador cuenta con avances novedosos para facilitar y acelerar la instalación de las aspas.

- Monta las aspas del ventilador (H) al soporte del aspa (I) alineando los tres orificios tipo ojo de cerradura en el aspa (H) con los tres postes de la parte superior de los soportes de las aspas (I).
- Sostén el aspa (H) cerca del soporte del aspa (I) y presiona el aspa (H) hacia abajo con firmeza. Asegúrate de que los orificios tipo ojo de cerradura estén correctamente apoyados sobre los postes del brazo del aspa.
- Mientras presionas hacia abajo el aspa (H), desliza el aspa (H) hacia el lado opuesto del soporte (I) con firmeza, hasta que el aspa (H) se acople al mecanismo de cierre (V V).
- Asegúrate de que el mecanismo de cierre (V V) en la parte posterior del soporte del aspa (I) se eleve y haga tope contra el borde del aspa (H), lo que indicará una conexión segura.
- Revisa la parte superior del soporte del aspa (I) para garantizar que el mecanismo de cierre (V V) esté asegurado en su lugar.
- Repite para las aspas (H) restantes.



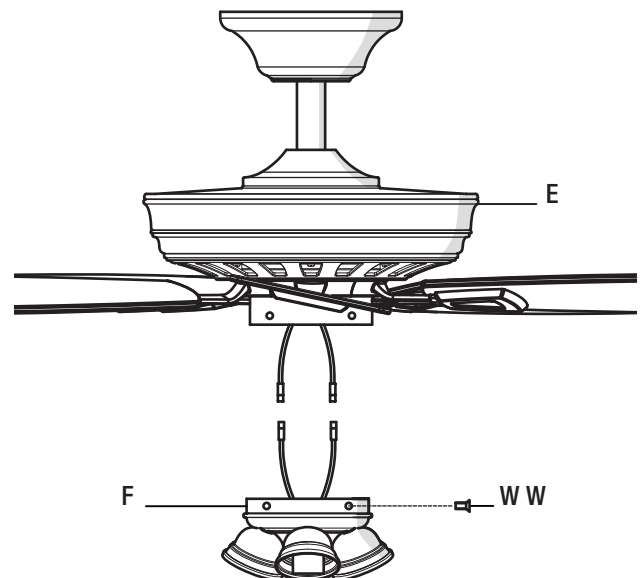
Ensamblaje - Cómo instalar el kit de luces

1 Cómo instalar el kit de luces



PRECAUCIÓN: Para disminuir el riesgo de descarga eléctrica, desconecta el circuito de energía del ventilador antes de instalar el kit de luces.

- Quita los tres tornillos (WW) del ensamblaje del soporte del kit de luces (F).
- Conecta los cables que salen de la parte inferior del ensamblaje del motor (E), uniéndolos con enchufes con adaptadores moldeados (azul con negro y blanco con blanco).
- Desliza el ensamblaje del kit de luces (F) y asegúralo a la caja del interruptor usando los tres tornillos (WW) que se quitaron en el primer paso.



Ensamblaje - Cómo instalar el kit de luces

2 Cómo instalar las pantallas y las bombillas



PRECAUCIÓN: Asegúrate de que la corriente esté cortada antes de montar o retirar las pantallas.

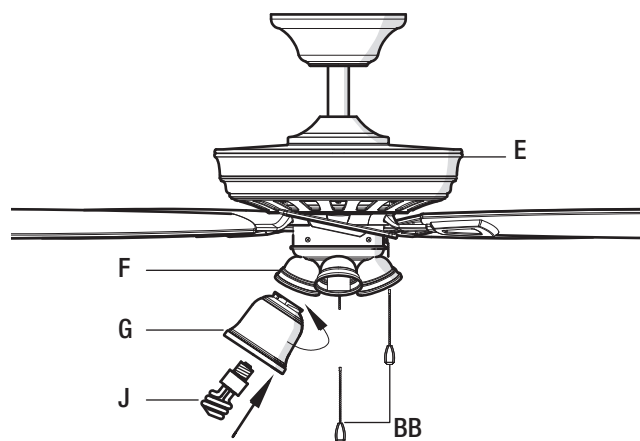


ADVERTENCIA: Espera a que las bombillas se enfríen completamente antes de cambiarlas.

- Enrosca la pantalla de plástico (G) en el soporte del kit de luces (F) en sentido de las manecillas del reloj.
- Instala las bombillas (J) en los portabombillas del soporte del kit de luces (F).
- Instala las extensiones de cadena del interruptor (BB).



PRECAUCIÓN: Colocar bombillas de vataje incorrecto hará que las luces del ventilador se apaguen hasta que se instalen las bombillas adecuadas. Para cambiar las luces, corta la electricidad, reemplaza las bombillas por otras del vataje correcto y vuelve a conectar la electricidad.



Funcionamiento

Enciende la electricidad y verifica el funcionamiento del ventilador. El interruptor de cadena controla las velocidades del ventilador de la siguiente manera:

1 vez: alta, 2 veces: media, 3: baja y 4: apagado.

Las configuraciones de velocidad apropiadas para clima cálido o frío dependen de factores como el tamaño de la habitación, la altura del techo y la cantidad de ventiladores.

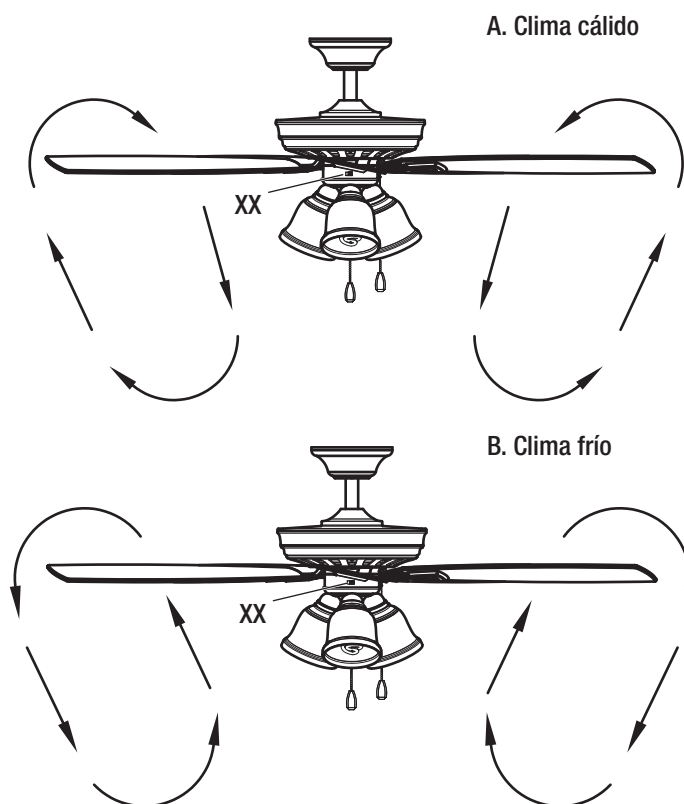
El interruptor deslizante (XX) controla la dirección de las aspas: hacia adelante (interruptor hacia la izquierda) o reversa (interruptor hacia la derecha)



NOTA: Espera a que se detenga el ventilador antes de invertir la dirección de giro de las aspas.

A. Clima cálido - (Hacia adelante) Un flujo de aire descendente crea un efecto refrescante. Esto te permite fijar tu aire acondicionado en una configuración más alta sin afectar tu comodidad.

B. Clima frío - (Reversa) Un flujo de aire hacia arriba mueve el aire cálido lejos del techo. Esto te permite configurar la unidad de calefacción más baja sin afectar tu comodidad.



Mantenimiento y limpieza



ADVERTENCIA: Asegúrate de que la corriente esté apagada antes de limpiar el ventilador.

- Debido al movimiento natural del ventilador, algunas conexiones pueden aflojarse. Revisa las conexiones de soporte, los soportes y los accesorios de las aspas dos veces al año. Verifica que estén seguros. No es necesario desmontar el ventilador del techo.
- Limpia el ventilador con frecuencia para que luzca como nuevo con el paso de los años. No uses agua al limpiar. Esto puede dañar el motor o la madera, o causar descargas eléctricas. Usa solamente un cepillo suave o un paño sin pelusas para evitar arañar el acabado. El revestimiento está sellado con laca para minimizar la decoloración u opacidad.
- Puedes aplicar a la madera una fina capa de pulimento para muebles para una mayor protección y belleza. Cubre los arañazos pequeños con una leve aplicación de lustrador para calzado.
- No necesitas lubricar el ventilador. El motor tiene cojinetes de bola sellados permanentemente lubricados.

Solución de problemas

Problema	Solución
El ventilador no enciende.	<ul style="list-style-type: none"><input type="checkbox"/> Verifica los fusibles o disyuntores principales y secundarios.<input type="checkbox"/> Verifica las conexiones de cables en línea al ventilador y conexiones de cables del interruptor en la caja de interruptores.
El ventilador hace ruido.	<ul style="list-style-type: none"><input type="checkbox"/> Asegúrate de que todos los tornillos de la carcasa del motor estén ajustados.<input type="checkbox"/> Asegúrate de que los tornillos que unen el soporte de aspa al cuerpo del motor están bien ajustados.<input type="checkbox"/> Asegúrate de que las conexiones de tuerca de cable no choquen unas con otras o con la pared interior de la caja del interruptor.<input type="checkbox"/> Espera que transcurra un período de 24 horas de “adaptación”. La mayoría de los ruidos asociados con un nuevo ventilador desaparecen en ese período.<input type="checkbox"/> Si usas el kit de luces del ventilador de techo, asegúrate de que los tornillos que sujetan el vidrio estén bien colocados. Verifica que las bombillas estén bien aseguradas.<input type="checkbox"/> Asegúrate de que la cubierta esté a una corta distancia del techo. No debe tocar el techo.<input type="checkbox"/> Asegúrate de que la caja eléctrica esté bien segura y que las almohadillas aislantes de goma se hayan instalado entre la placa de montaje y la caja eléctrica.
El ventilador oscila.	<ul style="list-style-type: none"><input type="checkbox"/> Verifica que todas las aspas y los tornillos de los brazos de aspas estén seguros.<input type="checkbox"/> La mayoría de los problemas de oscilación del ventilador se deben a que las aspas no están a un mismo nivel. Verifica este nivel seleccionando un punto en el techo sobre la punta de una de las aspas. Mide desde un punto en el centro de cada aspa al punto en el techo. Mide esta distancia. Gira el ventilador hasta que la próxima aspa quede posicionada para medir. Repite para cada aspa. Las desviaciones de la medición deben estar dentro de un rango de 3 mm. Enciende el ventilador durante diez minutos. Si el ventilador continúa oscilando, comunícate con el servicio al cliente y te enviarán un kit de compensación de aspas, sin costo alguno.

HOME DECORATORS COLLECTION

¿Preguntas, problemas o piezas faltantes? Antes de regresar a la tienda,
llama al servicio al cliente de The Home Depot
de lunes a viernes, de 8 a.m. a 6 p.m. (hora estándar del Este)

1-800-986-3460

[HOMEDEPOT.COM/HOMEDECORATORS](https://www.homedepot.com/homedecorators)

Conserva este manual para uso futuro.