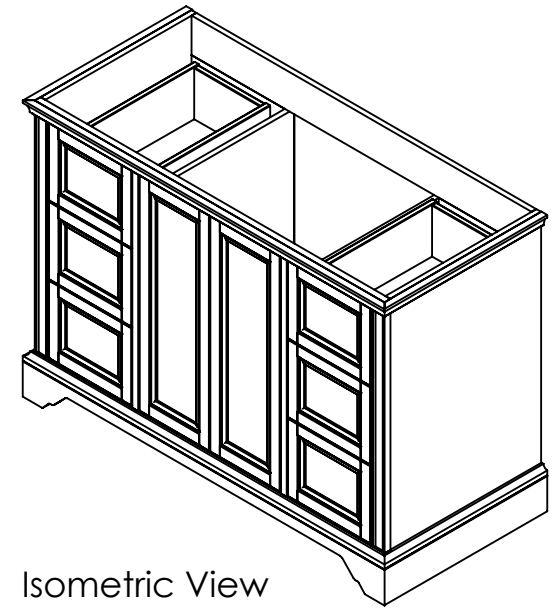
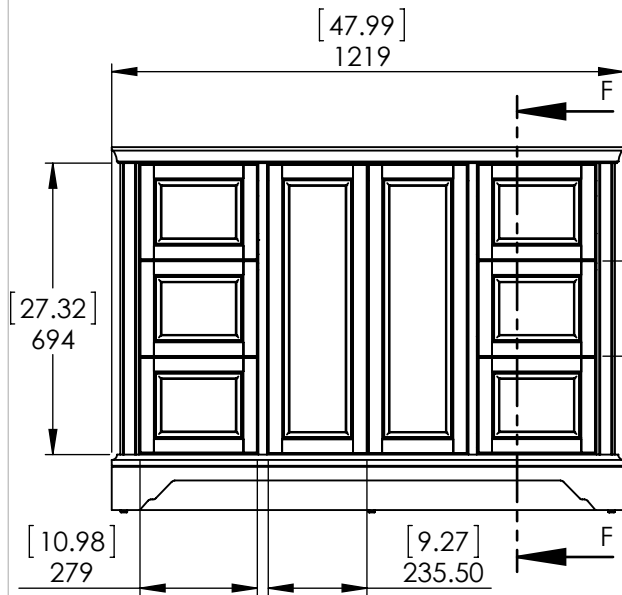


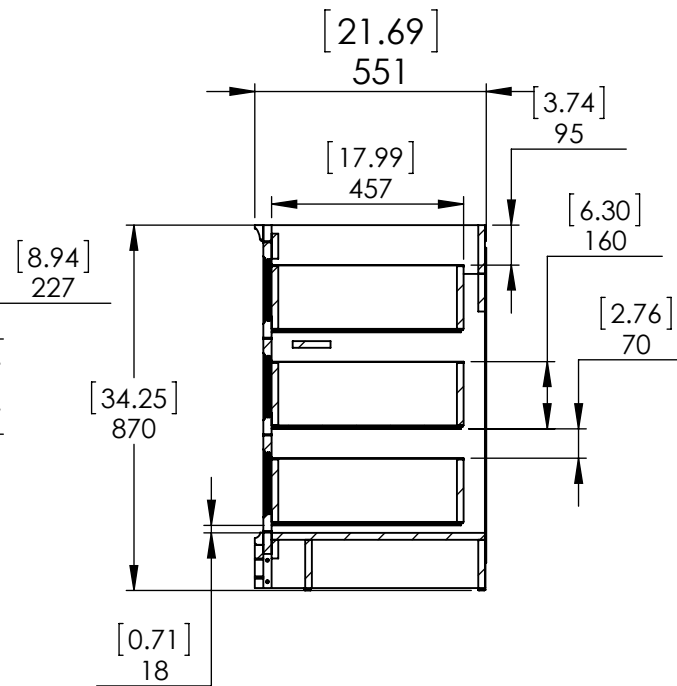
Top View



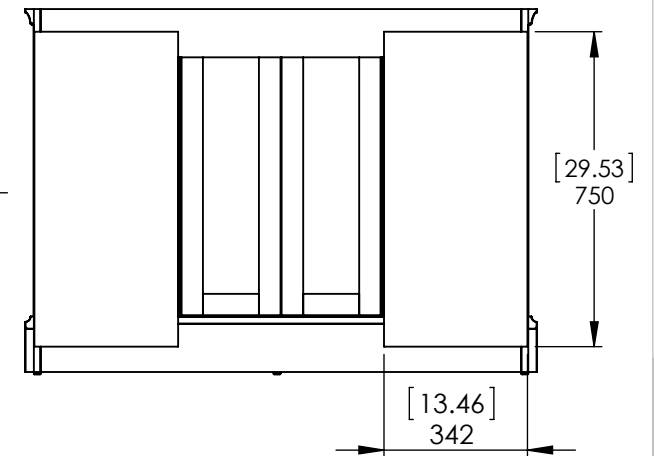
Isometric View



Front View



Section F-F
Side View



Back View

| | | | |
|-------|---|------|----------|
| ITEM: | SF48-WH SF48-CH | REV: | A |
| | SF48-ST SF48-CR | | |
| NAME: | Stratfield 48in Vanity - White/ Sterling/Chocolate/Cream | | |

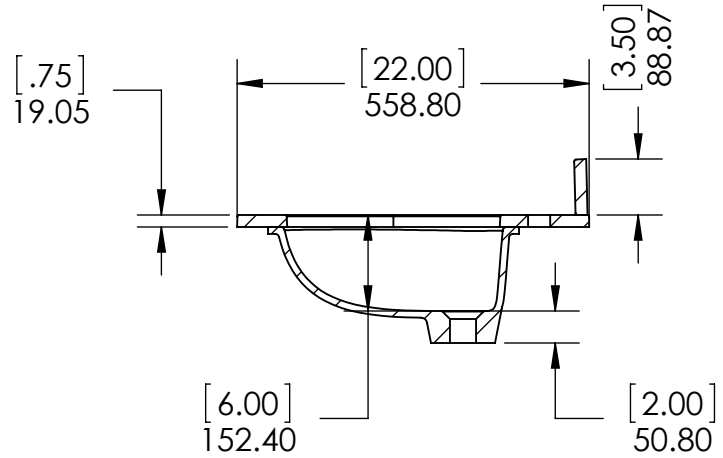
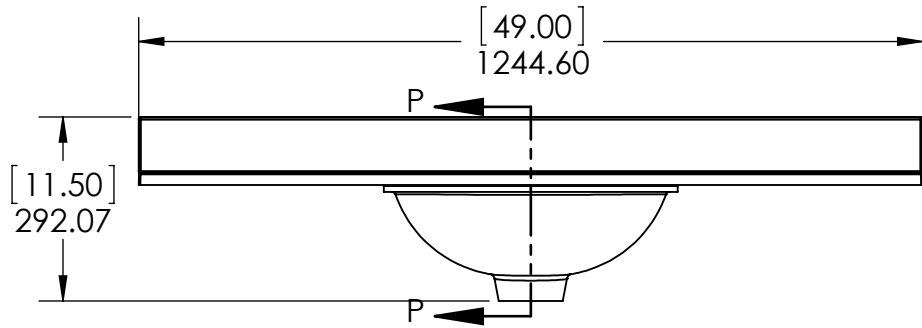
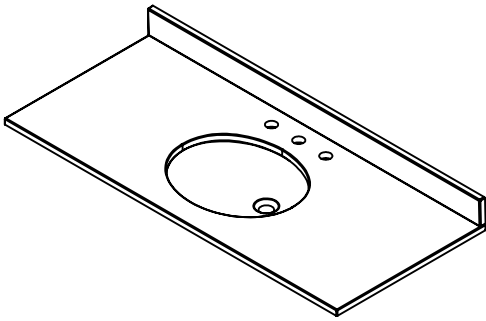
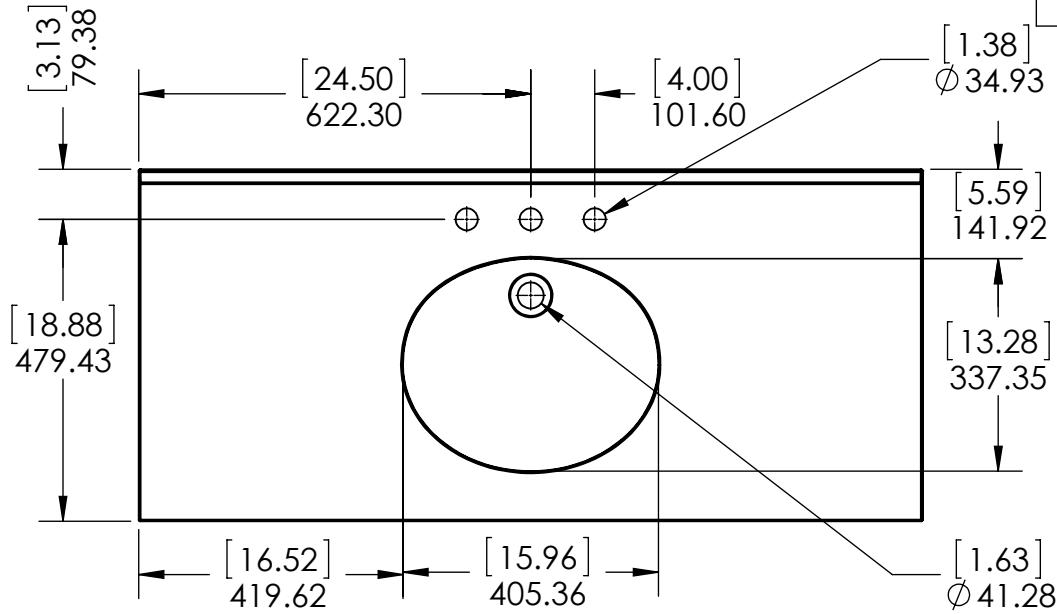


Propiedad y Confidencialidad
 La información contenida en este dibujo es puramente propiedad de Woodcrafters Home Products LLC. Queda prohibida cualquier reproducción parcial o total sin el permiso por escrito de Woodcrafters Home Product LLC.

| | | |
|----------|--------|------------------------|
| DRW: | ARB | 03/28/18 |
| REV: | ING | 03/28/18 |
| APP: | R&D | 03/28/18 |
| SCALAE18 | MODEL: | Stratfield 48in |

MATERIAL:
**German Beech 4/4
Laminated Particle Board**

| Rev # | Approved by | Change |
|-------|-------------|-----------------------|
| 0 | R. Rubio | Released |
| 1 | O. Razo | New color and profile |
| | | |



PROPRIETARY AND CONFIDENTIAL
 THE INFORMATION CONTAINED IN THIS DRAWING IS THE SOLE PROPERTY OF WOODCRAFTERS. ANY REPRODUCTION IN PART OR AS A WHOLE WITHOUT THE WRITTEN PERMISSION OF WOODCRAFTERS IS PROHIBITED.

UNLESS OTHERWISE SPECIFIED
 DIMENSIONS ARE IN INCHES AND [MM]
 TOLERANCES ARE
 +0.125 [3.175] -0.125 [-3.175]
 SCALE:1:10

| | NAME | DATE |
|-----------|----------|----------|
| DRAWN | R. Rubio | 08/22/16 |
| CHECKED | R. Rubio | 08/22/16 |
| ENG APPR. | R. Rubio | 08/22/16 |
| MFG APPR. | C. Leal | 08/22/16 |

Wood Crafters
 Vtop Stone Effect, Oval 49x22
 SHEET 1 OF 2
 REV: 1

| ID | Description | Technology | Status |
|----------|-------------------------------------|--------------|-------------------------|
| SE49O-PR | Vtop Oval 49x22 SE Pulsar 8in | Stone Effect | Approved for production |
| SE49O-MG | Vtop Oval 49x22 SE Mineral Gray 8in | Stone Effect | Approved for production |
| SE49O-WM | Vtop Oval 49x22 SE Winter Mist 8in | Stone Effect | Approved for production |
| SE49O-CO | Vtop Oval 49x22 SE Cold Fusion 8in | Stone Effect | Approved for production |
| SE49O-DN | Vtop Oval 49x22 SE Dune 8in | Stone Effect | Approved for production |
| SE49O-RU | Vtop Oval 49x22 SE Rustic Gold 8in | Stone Effect | Approved for production |

| Rev # | Approved by | Change |
|-------|-------------|-----------------------|
| 0 | R. Rubio | Released |
| 1 | O. Razo | New color and profile |
| | | |

PROPRIETARY AND CONFIDENTIAL
 THE INFORMATION CONTAINED IN THIS DRAWING IS THE SOLE PROPERTY OF WOODCRAFTERS. ANY REPRODUCTION IN PART OR AS A WHOLE WITHOUT THE WRITTEN PERMISSION OF WOODCRAFTERS IS PROHIBITED.

UNLESS OTHERWISE SPECIFIED
 DIMENSIONS ARE IN INCHES AND [MM]
 TOLERANCES ARE
 + 0.125 [3.175] - 0.125 [-3.175]
 SCALE:1:10

| | NAME | DATE |
|-----------|----------|----------|
| DRAWN | R. Rubio | 08/22/16 |
| CHECKED | R. Rubio | 08/22/16 |
| ENG APPR. | R. Rubio | 08/22/16 |
| MFG APPR. | C. Leal | 08/22/16 |

| | | |
|---|-------------------------------|---------------|
|  | | SHEET 2 OF 2 |
| SIZE | DWG. NO. | REV: 1 |
| A | Vtop Stone Effect, Oval 49x22 | |