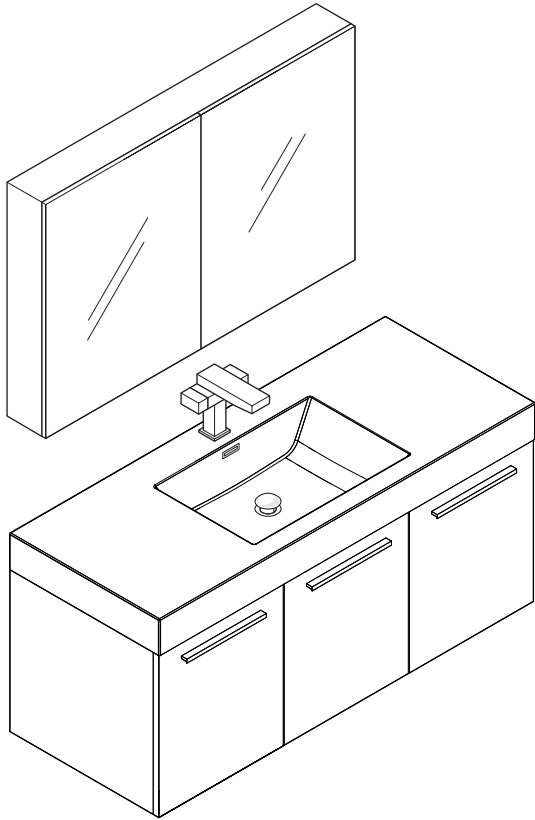
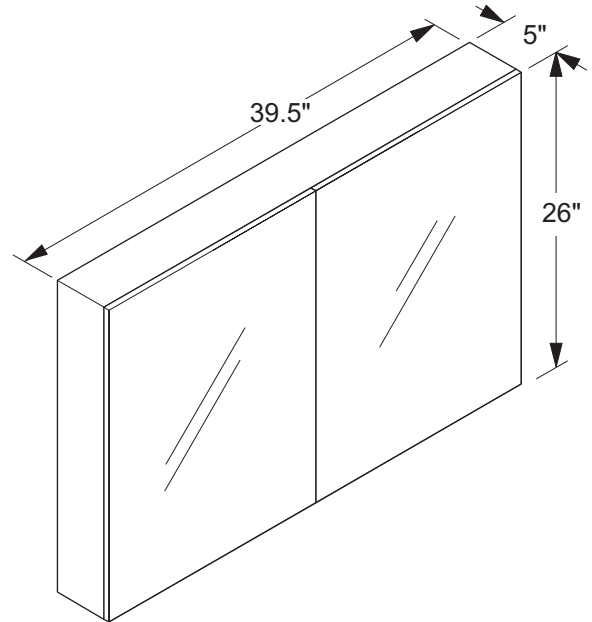


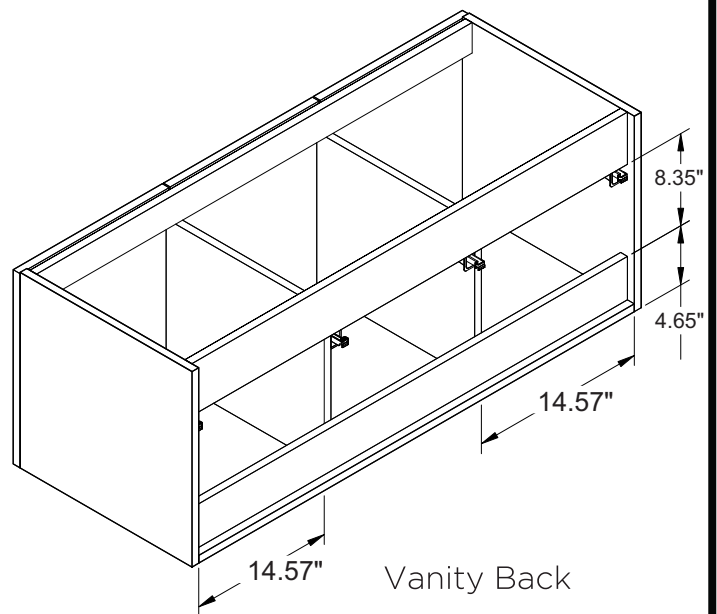
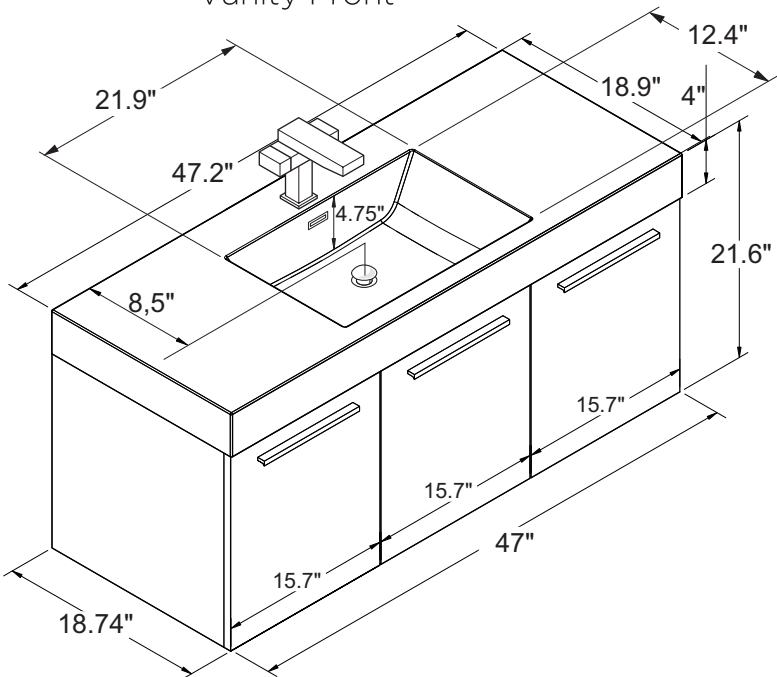
**FVN8092**  
**VISTA**  
**INSTALLATION GUIDE**



Medicine Cabinet



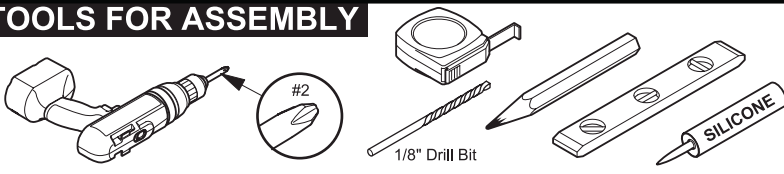
Vanity Front



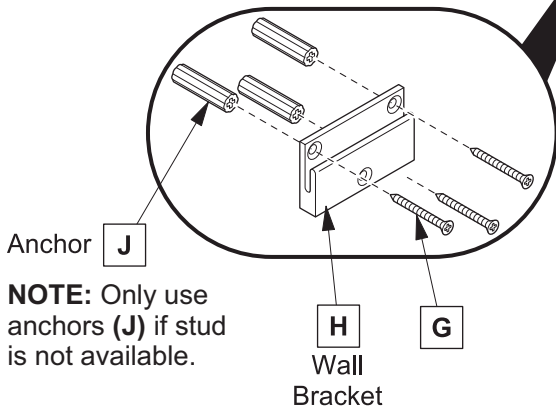
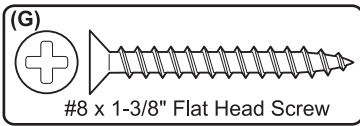
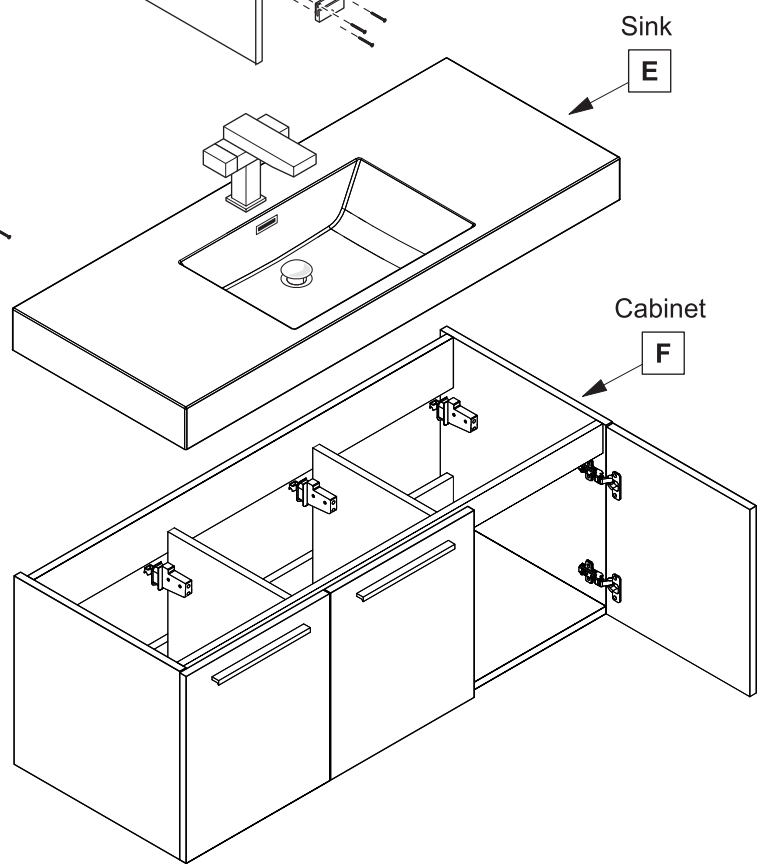
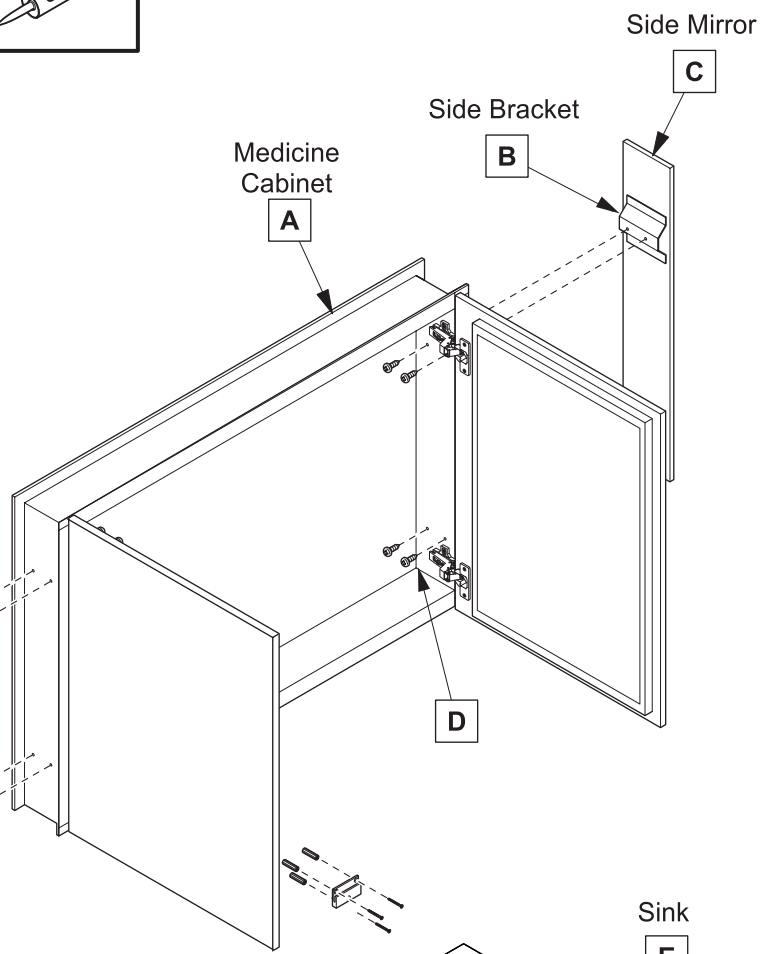
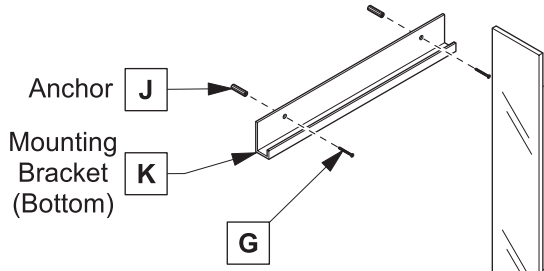
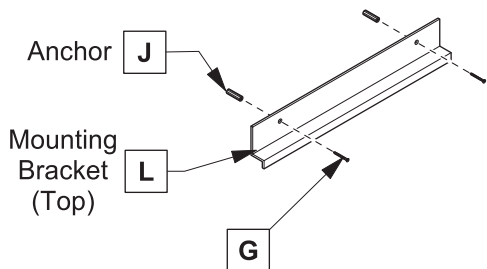
Vanity Back

 ALL DIMENSIONS & SPECIFICATIONS ARE APPROXIMATE AND SUBJECT TO CHANGE WITHOUT NOTICE.

# TOOLS FOR ASSEMBLY



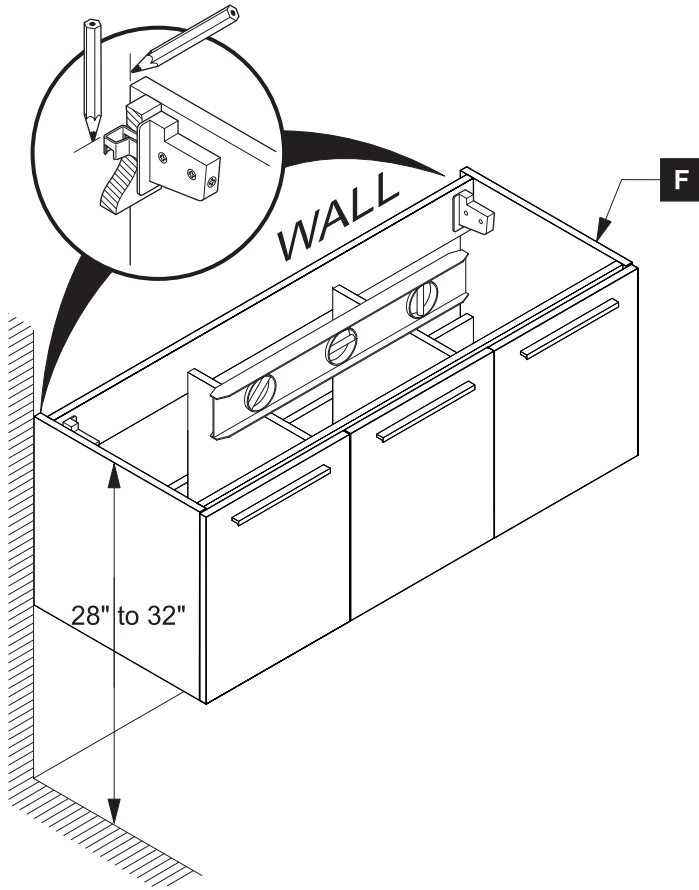
## PARTS



**NOTE:** Only use anchors (J) if stud is not available.

1

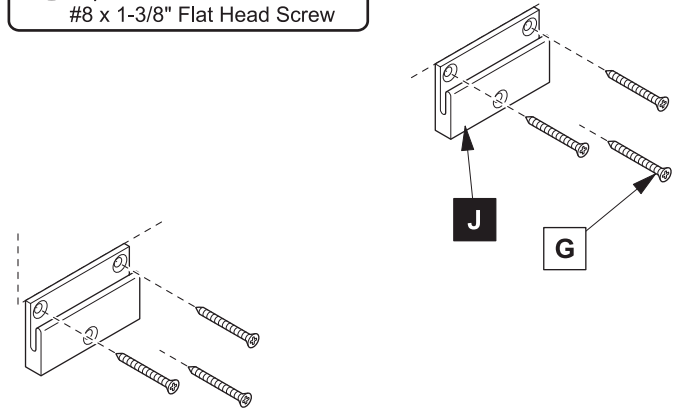
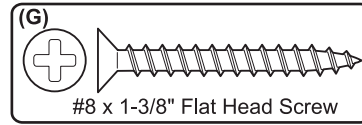
Locate cabinet (F) & mark location on the wall



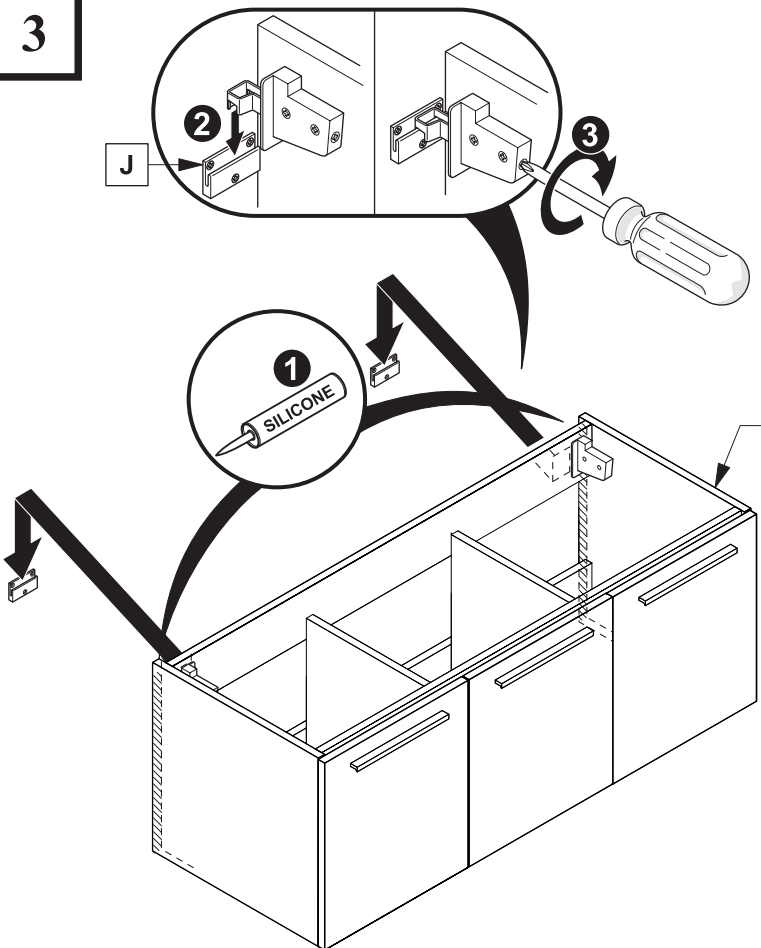
2

Install wall brackets (J)

**IMPORTANT:** Consult an expert for the proper screws / bolts to use when attaching to various wall constructions. Screws provided *do not* attach to all wall construction types.

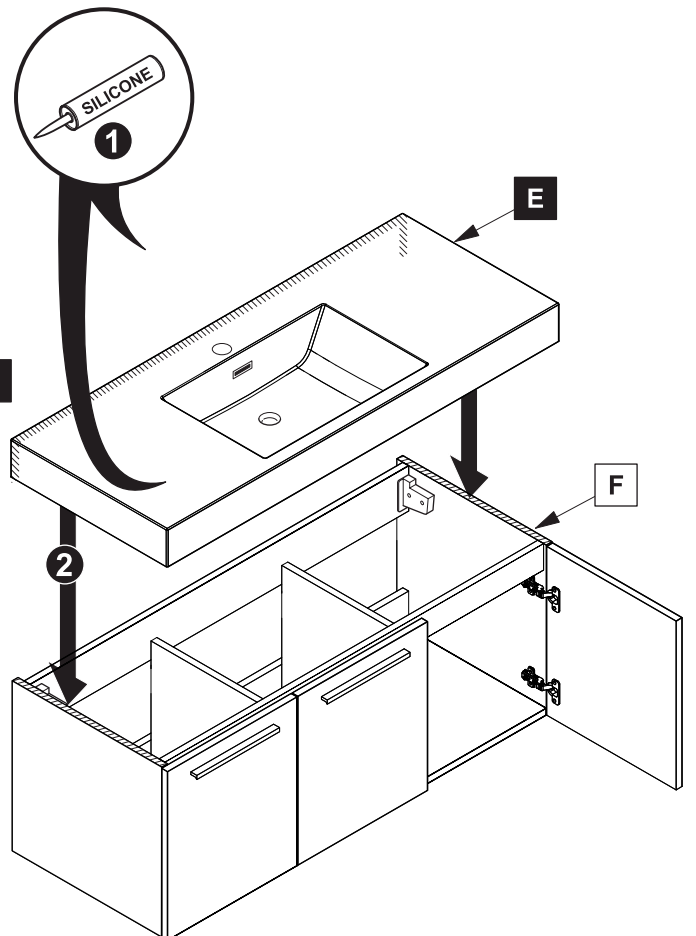


3



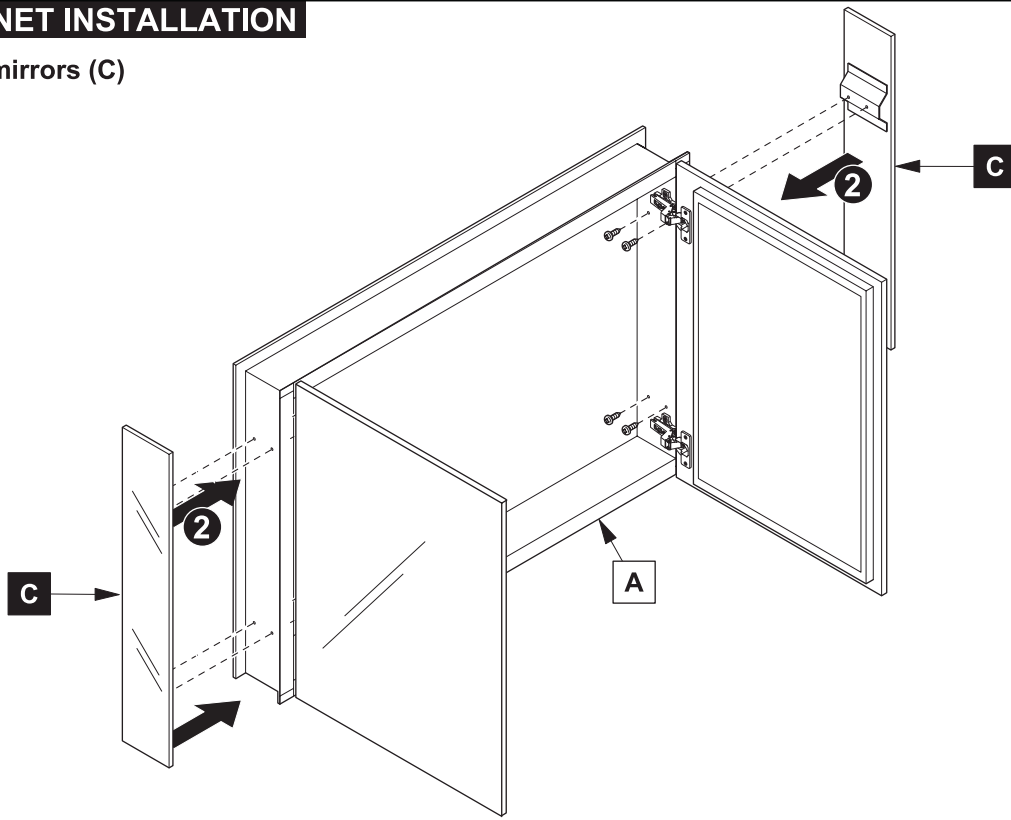
4

Apply silicone and install sink (E)

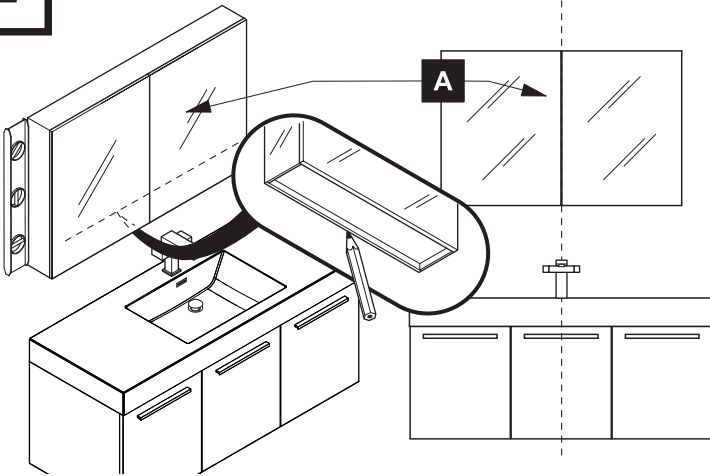


# MEDICINE CABINET INSTALLATION

## 1 Install side mirrors (C)

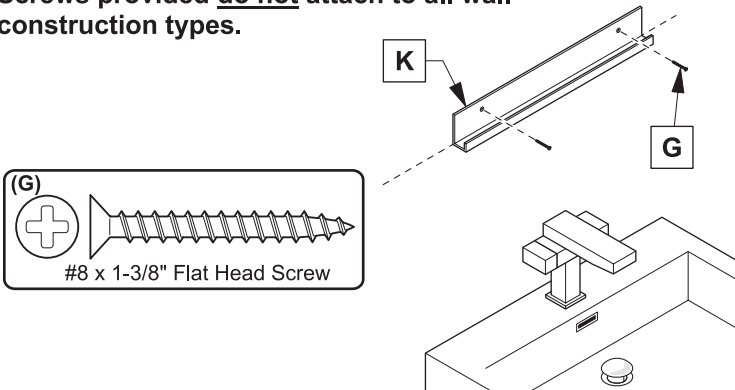


## 2 Mark cabinet (A) location

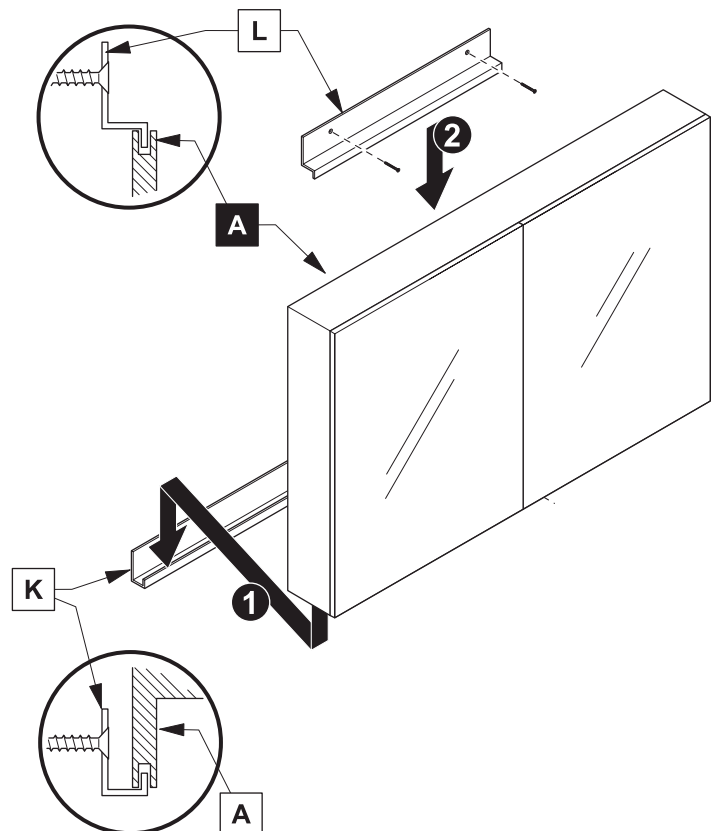
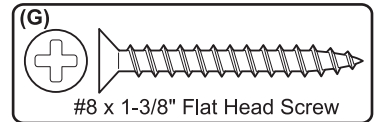


## 3 Install bottom bracket (K)

**IMPORTANT:** Consult an expert for the proper screws/bolts to use when attaching to various wall constructions. Screws provided do not attach to all wall construction types.



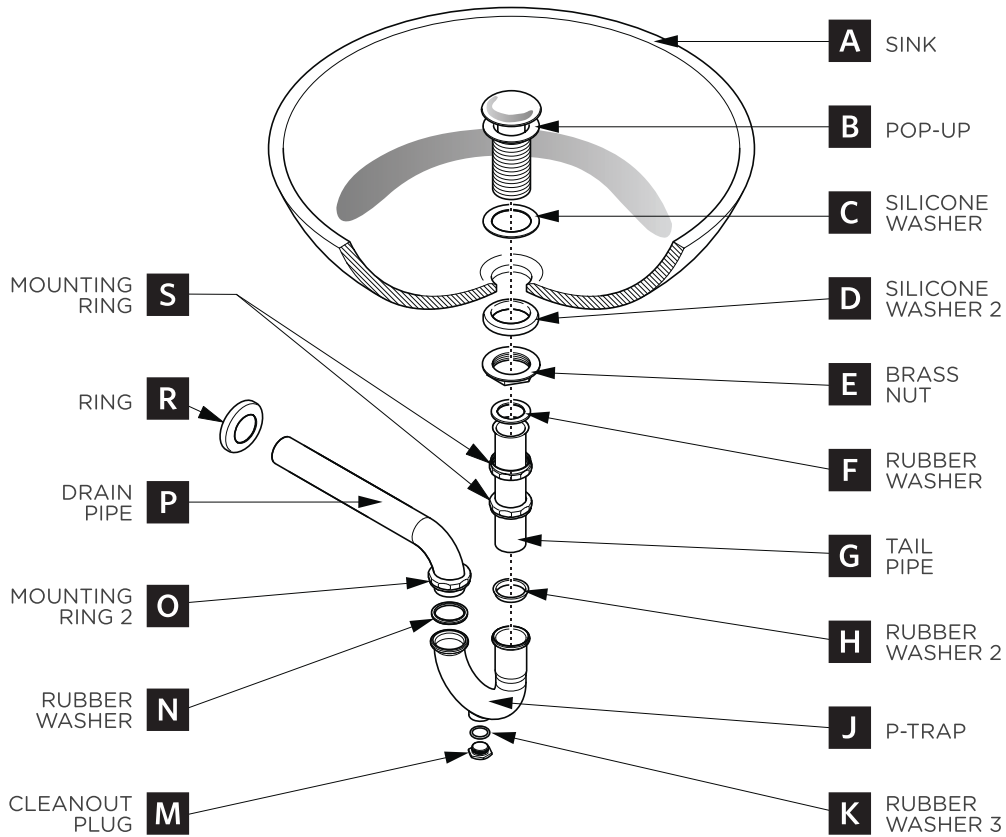
## 4 Install cabinet (A) and top bracket (L)



# P-TRAP & POP-UP

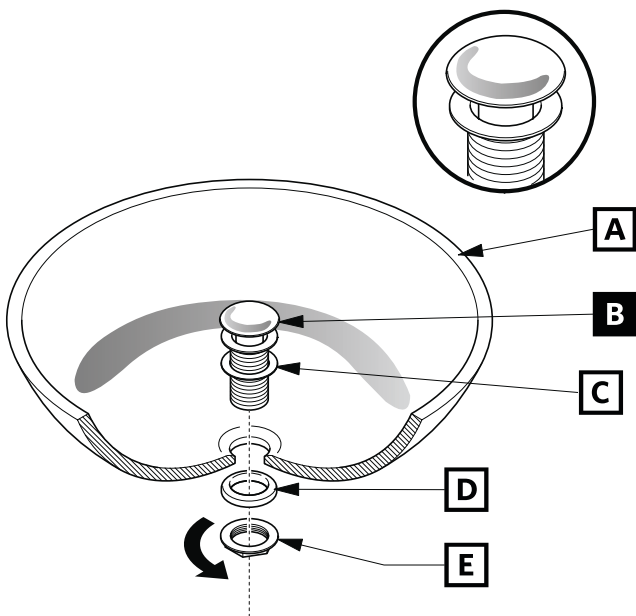
## INSTALLATION INSTRUCTIONS

Your item may appear slightly different from the illustration.



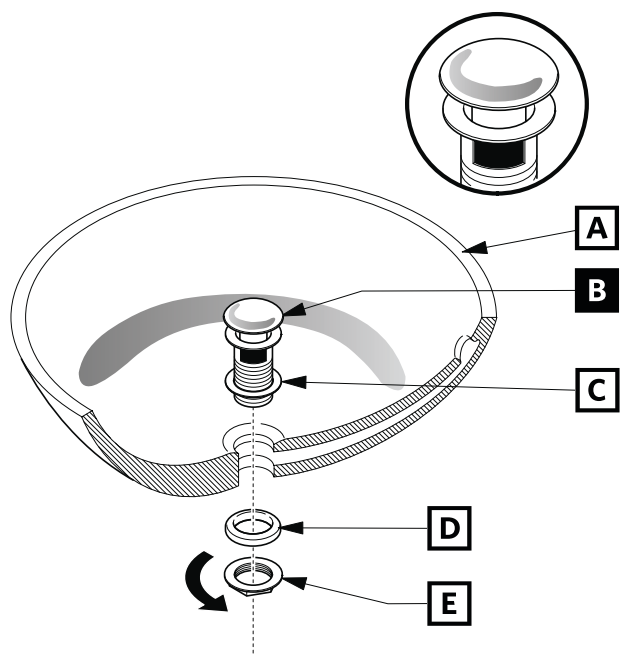
## POP-UP INSTALLATION

### FOR SINKS WITHOUT OVERFLOW



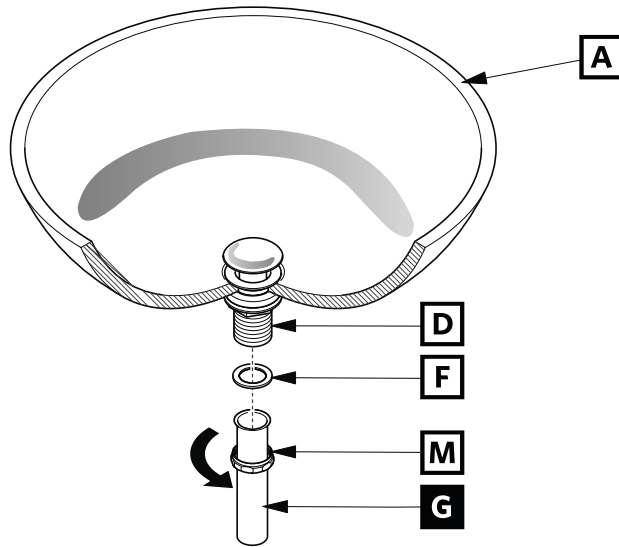
OR

### FOR SINKS WITH OVERFLOW



# P-TRAP INSTALLATION

## 1. Install tail pipe (G)



## 2. Install P-trap (J)

