

BLACKSTONE®

MODEL #1555

Français p. 27
Español p. 53

Owner's Manual

Tailgater Combo



VIDEO ASSEMBLY

Watch an actual
BLACKSTONE Tailgater Combo
assembly. Use a QR code app and
scan the QR code above. You will be
taken to the Tailgater resource page.

www.blackstoneproducts.com/tailgater



FOR OUTDOOR USE ONLY



Please read manual carefully before assembly
Retain this manual for future reference

This instruction manual contains important information necessary for the proper assembly and safe use of the appliance. Read all warnings and instructions before assembling and using the appliance. Follow all warnings and instructions when assembling and using the appliance.

Failure to follow these instruction could result in fire or explosion which could cause property damage, personal injury, or death.

| | |
|---|--|
| <p> DANGER</p> <p>If you smell gas:</p> <ol style="list-style-type: none">1. Open lid.2. Shut off gas to the appliance.3. Extinguish any open flame.4. If odor continues, keep away from the appliance and immediately call your gas supplier or your fire department. | <p> WARNING</p> <ol style="list-style-type: none">1. Do not store or use gasoline or other flammable liquids or vapors in the vicinity of this or any other appliance.2. An LP cylinder not connected for use shall not be stored in the vicinity of this or any other appliance. |
|---|--|

WARNING:

Before proceeding, make certain that you understand the IMPORTANT INFORMATION section of this manual. This instruction manual contains important information necessary for the proper assembly and safe use of the appliance. Read and follow all warnings and instructions before assembling and using the appliance.

Hazardous fire or explosion may result if instructions are ignored.

It is the consumer's responsibility to see that the BLACKSTONE Tailgater Combo is properly assembled, installed, and maintained. Failure to follow the instructions in this manual could result in bodily injury and/or property damage.

FOR YOUR SAFETY IF YOU SMELL GAS:

1. Turn off gas supply at tank.
2. Extinguish all open flames; do not operate any electrical appliances.
3. Ventilate the area.
4. Check for leaks as detailed in this manual.

PRECAUTIONS:

1. Leak test all connections after each tank refill.
2. Never check for leaks with a match or open flame.

3. Do not store gasoline or other flammable vapors and liquids in the vicinity of this or any other appliance.
4. Any LP cylinder not connected for use shall not be stored in the vicinity of this or any other appliance.
5. Do not store a spare LP gas cylinder under or near this appliance.
6. Never fill the cylinder beyond 80 percent full.
7. If the information in the above two statements is not followed exactly, a fire causing death or serious injury may occur.
8. Do not operate BLACKSTONE Tailgater Combo any closer than 36 inches from any combustible construction, including walls and ceilings. Never use indoors.
9. Do not use this appliance under overhead combustible surfaces.
10. The regulator used in this unit is ZHENDAR T3. If this regulator fails, it must be replaced with the exact model and must only be replaced by a professionally licensed, authorized dealer.
11. Perform a visual inspection the gas path, from the tank connection through to the element orifices for any breaks, leaks, cracks or intrusions. Begin at the tank connection and continue to the connection with the metal piping behind the temperature dial cover. Visually inspect the knob mechanism for similar defects. Follow the metal piping behind the temperature dials to the elements. Look for abnormalities or cracks on the element or orifices at the center of the grill box. Please contact customer service with any questions or concerns.



WARNING



- This appliance shall be used only outdoors, and shall not be used in a building, garage or any other enclosed area
- This appliance is not intended to be installed in or on recreational vehicles.
- Keep the fuel supply hose away from any heated surface
- The use of alcohol, prescription or non-prescription drugs may impair the consumer's ability to properly assemble or safely operate the appliance.
- In the event of an oil or grease fire do not attempt to extinguish with water. Immediately call the fire department. A Type BC or ABC fire extinguisher may, in some circumstances contain the fire.
- Do not leave the appliance unattended. Keep children and pets away from the appliance at all times.
- This appliance is not intended for and should never be used as a heater
- This appliance will be hot during and after use. Use insulated oven mitts or gloves for protection from hot surfaces or splatter from cooking liquids.

 **DANGER** 

If you smell gas:
1. Shut off gas to the appliance.
2. Extinguish any open flame.
3. If odor continues, keep away from the appliance and immediately call your gas supplier or your fire department.

 **WARNING** 

1. Do not store or use gasoline or other flammable liquids or vapors in the vicinity of this or any other appliance.
2. An LP Tank not connected for use shall not be stored in the vicinity of this or any other appliance.

Call the BLACKSTONE Griddle Information Center for Help and Parts

Missing Parts? Assembly Questions? Operation Problems? Before returning BLACKSTONE Tailgater Combo to store, call:

USA (435) 252-3030 | Canada 1.801.656.2041

or email us at support@blackstoneproducts.com

Model Number _____
Serial Number _____
Date Purchased _____

To Installer/Assembler: Leave these instructions with consumer.
To Consumer: Keep this manual for future reference.

 **CAUTION** 

Some parts may contain sharp edges, especially as noted in these instructions.
Wear protective gloves if necessary.

 **CAUTION** 

For outdoor residential use only. Do not use for commercial cooking.

Installation Safety Precautions

- Use BLACKSTONE Tailgater Combo, as purchased, only with LP (propane) gas and the regulator/valve assembly supplied.
- BLACKSTONE Tailgater Combo installation must conform with local codes, or in the absence of local codes, with either the National Fuel Gas Code, ANSI Z223.1/ NFPA 54, Natural Gas and Propane Installation Code, CSA B149.1, or Propane Storage and Handling Code, B149.2, or the Standard for Recreational Vehicles, ANSI A 119.2/NFPA 1192, and CSA Z240 RV Series, Recreational Vehicle Code, as applicable.
- BLACKSTONE Tailgater Combo is not for use in or on recreational vehicles and/or boats.
- This BLACKSTONE Tailgater Combo is safety certified for use in the United States and/or Canada only. Do not modify for use in any other location. Modification will result in a safety hazard.
- The pressure regulator and hose assembly supplied with the appliance must be used. Replacement pressure regulators and hose assemblies must be those specified by the appliance manufacturer.
- Place dust cap on cylinder valve outlet whenever the cylinder is not in use. Only install the type of dust cap on the cylinder valve outlet that is provided with the cylinder valve. Other types of caps or plugs may result in leakage of propane.
- This appliance shall be used only outdoors, and shall not be used in a building, garage or any other enclosed area.
- This appliance is not intended to be installed in or on recreational vehicles.
- Keep the fuel supply hose away from any heated surface.
- The use of alcohol, prescription or non-prescription drugs may impair the consumer's ability to properly assemble or safely operate the appliance.
- In the event of an oil or grease fire do not attempt to extinguish with water. Immediately call the fire department. A Type BC or ABC fire extinguisher may, in some circumstances contain the fire.

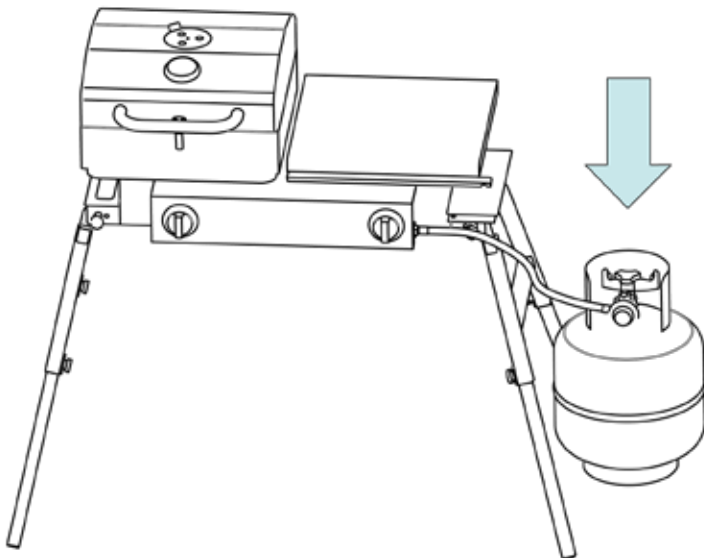
- Do not leave the appliance unattended. Keep children and pets away from the appliance at all times.
- This appliance is not intended for and should never be used as a heater.
- This appliance will be hot during and after use. Use insulated oven mitts or gloves for protection from hot surfaces or splatter from cooking liquids.

Safety Maintenance

- Keep appliance area clear and free from combustible materials, gasoline and other flammable vapors and liquids.
- Do not obstruct the flow of combustion and ventilation air flow.
- Keep the ventilation opening of the cylinder enclosure free and clear from debris.
- Visually check burner flames.
- Clean appliance, including special surfaces, with recommended cleaning agents, if necessary.
- Check and clean burner/venturi tube for insects and insect nests. A clogged tube can lead to a fire beneath the appliance.

Tank Placement

The LP tank connects to the BLACKSTONE Tailgater Combo on the right side and is placed between the supporting right side legs.



Safety Symbols

The symbols and boxes shown below explain what each heading means. Read and follow all of the messages found throughout the manual.

| | | |
|--|---------------|---|
| ! | DANGER | ! |
| <p>DANGER: Indicates an imminently hazardous situation which, if not avoided, will result in death or serious injury.</p> | | |

| | | |
|---|----------------|---|
| ! | WARNING | ! |
| <p>WARNING: Be alert to the possibility of serious bodily injury if the instructions are not followed. Be sure to read and carefully follow all of the messages.</p> | | |

| | | |
|---|----------------|---|
| ! | CAUTION | ! |
| <p>CAUTION: Indicates a potentially hazardous situation which, if not avoided, may result in minor or moderate injury.</p> | | |

| | | |
|---|--|---|
| ! | CALIFORNIA PROPOSITION 65 WARNING | ! |
| <p>WARNING: This product contains chemicals known to the State of California to cause cancer and birth defects or other reproductive harm. (California law requires this warning be given to customers in the State of California.) For more information: www.watts.com/prop65</p> | | |

TABLE OF CONTENTS

| | |
|-----------------------------|-------|
| For Your Safety..... | 2-5 |
| Table of Contents | |
| Grill Warranty..... | 6 |
| Use and Care..... | 7-12 |
| Illustrated Parts List..... | 13-14 |
| Assembly..... | 15-21 |
| Lighting Instructions..... | 22 |
| Care and Maintenance..... | 23 |
| Limited Warranty..... | 24 |
| Customer Service..... | 25 |

GRILL WARRANTY

90 Days full warranty on BLACKSTONE Tailgater Combo parts

If this BLACKSTONE Tailgater Combo fails due to a defect in material or workmanship within 90 days from the date of purchase, call **(435) 252-3030** to arrange for replacement parts.

Please retain a copy of your proof of purchase to validate your warranty. You may be requested to send in a copy of your receipt to confirm any warranty requests.

After the first year from the date of purchase, or if a valid proof of purchase cannot be provided, you can purchase replacement parts call **(435) 252-3030**. (Part purchase price with shipping and handling to be paid by customer.)

All warranty coverage excludes ignitor batteries and BLACKSTONE Tailgater Combo part paint loss, discoloration or surface rusting, which are either expendable parts that can wear out from normal use within the warranty period, or are conditions that can be the result of normal use, accident or improper maintenance.

After expiration of your warranty, you can call **(435) 252-3030** for help, free of charge, with assembly or operation questions.

All warranty coverage is void if this BLACKSTONE Tailgater Combo is ever used for commercial or rental purposes.



DANGER



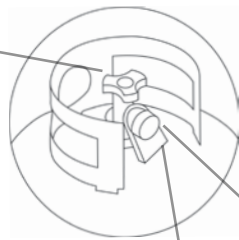
- NEVER store a spare LP cylinder under or near the appliance or in an enclosed area.
- Never fill a cylinder beyond 80% full.
- If the information in the two points above is not followed exactly, a fire causing death or serious injury may occur.
- An overfilled or improperly stored cylinder is a hazard due to possible gas release from the safety relief valve. This could cause an intense fire with risk of property damage, serious injury or death.
- If you see, smell or hear gas escaping, immediately get away from the LP cylinder and appliance and call your fire department.

LP Tank Removal, Transport And Storage

- Turn OFF all control knobs and LP tank valve. Turn coupling nut counterclockwise by hand only - do not use tools to disconnect. Lift LP tank wire upward off of LP tank collar, then lift LP tank up. Install safety cap onto LP tank valve. Always use cap and strap supplied with valve.

Failure to use safety cap as directed may result in serious personal injury and/or property damage.

LP Tank Valve



Retainer Strap

Safety Cap

- A disconnected LP tank in storage or being transported must have a safety cap installed (as shown). Do not store an LP tank in enclosed spaces such as a carport, garage, porch, covered patio or other building. Never leave an LP tank inside a vehicle which may become overheated by the sun.
- Do not store an LP tank in an area where children play.

LP Tank

The LP Tank used with your grill must meet the following requirements:

- LP Tanks must be constructed and marked in accordance with specifications for LP Tanks of the U.S. Department of Transportation (DOT) or for

Canada, CAN/CSA-B339, 20 lb tanks (LP tank dimension: 12.3 inches wide x 18 inches tall), spheres and tubes for transportation of dangerous goods.

Transport Canada (TC).

See LP Tank collar for marking.

LP Tank valve must have:

- Type 1 outlet compatible with regulator or grill.
- Safety relief valve.
- UL listed Overfill Protection Device (OPD). This OPD safety feature is identified by a unique triangular hand wheel. Use only LP Tanks equipped with this type of valve.



Safety Cap

LP Tank must be arranged for vapor withdrawal and include collar to protect LP Tank valve. Always keep LP Tanks in upright position during use, transit or storage.



LP Tank in upright position for vapor withdrawal

LP (Liquefied Petroleum Gas)

- LP gas is nontoxic, odorless and colorless when produced.
- For Your Safety, LP gas has been given an odor (similar to rotten cabbage) so that it can be smelled.
- LP gas is highly flammable and may ignite unexpectedly when mixed with air.

LP Tank Filling

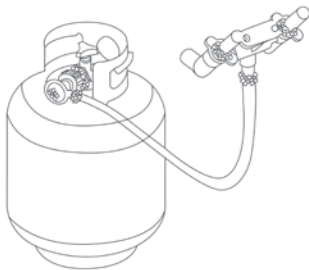
- Use only licensed and experienced dealers.
- LP dealer must purge new tank before filling.
- Dealer should NEVER fill LP Tank more than 80% of LP Tank volume. Volume of propane in tank will vary by temperature.
- A frosty regulator indicates gas overfill. Immediately close LP Tank valve and call local LP gas dealer for assistance.
- Do not release liquid propane (LP) gas into the atmosphere. This is a hazardous practice.
- To remove gas from LP Tank, contact an LP dealer or call a local fire department for assistance. Check the telephone directory under "Gas Companies" for nearest certified LP dealers.


LP Tank Exchange

- Many retailers that sell grills offer you the option of replacing your empty LP tank through an exchange service. Use only those reputable exchange companies that inspect, precision fill, test and certify their tanks. Exchange your tank only for an OPD safety feature-equipped tank as described in the “LP Tank” section of this manual.
- Always keep new and exchanged LP tanks in upright position during use, transit or storage.
- Leak test new and exchanged LP tanks BEFORE connecting to grill.
- Place dust cap on cylinder valve outlet whenever the cylinder is not in use. Only install the type of dust cap on the cylinder valve outlet that is provided with the cylinder valve. Other types of caps or plugs may result in leakage of propane.


LP Tank Leak Test For Your Safety

- Leak test must be repeated each time LP tank is exchanged or refilled.
- Do not smoke during leak test.
- Do not use an open flame to check for gas leaks.
- Tailgater must be leak tested outdoors in a well-ventilated area, away from ignition sources such as gas fired or electrical appliances.
- During leak test, keep Tailgater away from open flames or sparks.
- Use a clean paintbrush and a 50/50 mild soap and water solution. Brush soapy solution onto areas indicated in figure below. Leaks are indicated by growing bubbles.





WARNING

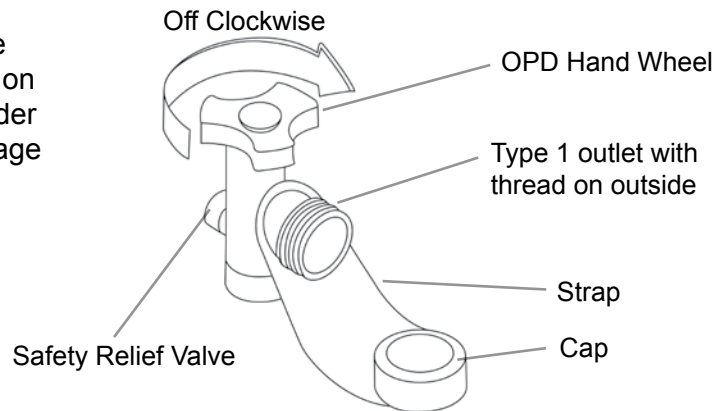


If “growing” bubbles appear do not use or move the LP tank. Contact an LP gas supplier or your fire department.

Do not use household cleaning agents. Damage to gas valve/hose/regulator components can result.

Connecting Regulator To The LP Tank

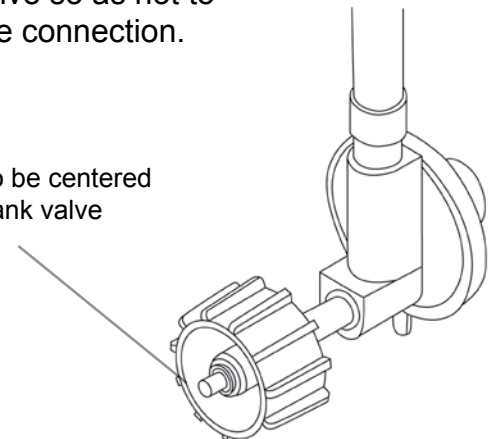
1. Place the LP tank on the right side of the BLACKSTONE Tailgater Combo between the supporting right side legs.
2. Turn all control knobs to the OFF position.
3. Turn LP tank OFF by turning OPD hand wheel clockwise to a full stop.
4. Remove the protective cap from LP tank valve. Always use cap and strap supplied with valve.

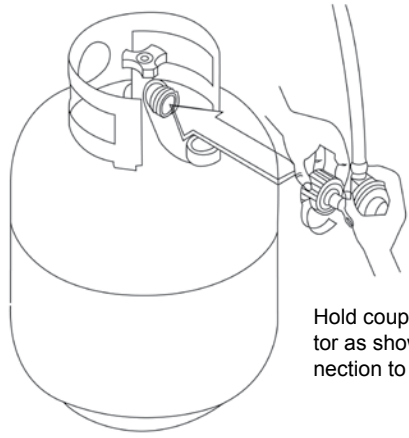


Do not insert a POL transport plug (plastic part with external threads) into the Type 1 tank valve outlet. It will defeat the Safety Relief Valve feature.

5. Hold regulator and insert nipple into LP tank valve. Hand-tighten the coupling nut, holding regulator in a straight line with LP tank valve so as not to cross thread the connection.

Nipple has to be centered into the LP tank valve





Hold coupling nut and regulator as shown for proper connection to LP tank valve.

6. Turn the coupling nut clockwise and tighten to a full stop. The regulator will seal on the back-check feature in the LP tank valve, resulting in some resistance. **An additional one-half to three-quarters turn is required to complete the connection. Tighten by hand only – do not use tools.**

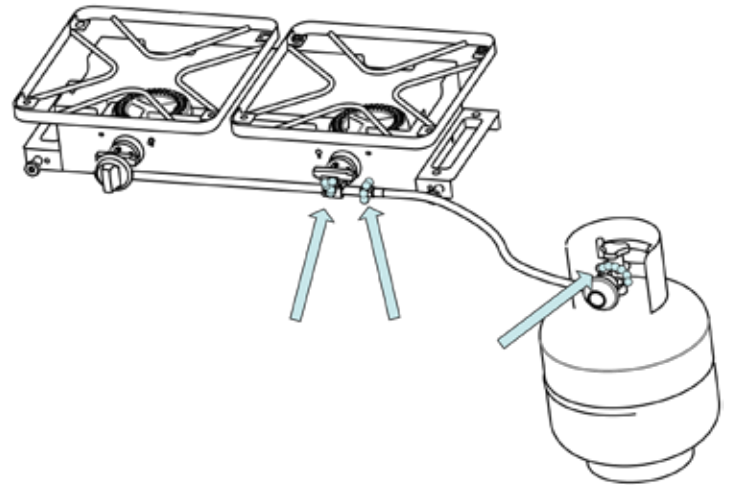
NOTE:

If you cannot complete the connection, disconnect regulator and repeat steps 5 and 6. If you are still unable to complete the connection, do not use this regulator.

Call (435) 252-3030 for identical replacement parts.

Leak Testing Valves, Hose and Regulator

1. Turn all Tailgater control knobs to OFF.
2. Be sure regulator is tightly connected to LP tank.
3. Completely open LP tank valve by turning OPD hand wheel counterclockwise. If you hear a rushing sound, turn gas off immediately. There is a major leak at the connection. Correct before proceeding by calling for replacement parts at (435) 252-3030.
4. Brush soapy solution onto areas where bubbles are shown in picture below:



5. If “growing” bubbles appear, there is a leak. Close LP tank valve immediately and retighten connections. If leaks cannot be stopped do not try to repair. Call for replacement parts at (435) 252-3030.
6. Always close LP tank valve after performing leak test by turning hand wheel clockwise.

| | | |
|--|---------------|--|
| | DANGER | |
| <ul style="list-style-type: none"> Do not insert any tool or foreign objects into the valve outlet or safety relief valve. You may damage the valve and cause a leak. Leaking propane may result in explosion, fire, severe personal injury, or death. If a leak is detected at any time, STOP and call the fire department. If you cannot stop a gas leak, immediately close LP tank valve and call LP gas supplier or your fire department. | | |

| | | |
|--|----------------|--|
| | WARNING | |
| <ul style="list-style-type: none"> Never attempt to attach this grill to the self-contained LP gas system of a camper trailer or motor home. Do not use grill until leak-tested. | | |





Disconnecting Regulator From The LP Tank

1. LP tank must be properly secured onto Tailgater. (Refer to assembly section.)
2. Turn all control knobs to the OFF position.
3. Turn LP tank OFF by turning OPD hand wheel clockwise to a full stop.
4. Remove the connector valve by unscrewing the coupling nut.

Safety Tips

1. Before opening LP cylinder valve, check the coupling nut for tightness.
2. When BLACKSTONE Tailgater Combo is not in use, turn off control knob and LP cylinder valve.
3. Never move BLACKSTONE Tailgater Combo while in operation or still hot.
4. Use long-handled barbecue utensils and oven mitts to avoid burns and splatters.
5. Keep unit at least 36" away from walls, buildings, vehicles or other structures when in use.
6. Clean BLACKSTONE Tailgater Combo often, preferably after each cookout. If a bristle brush is used to clean the cooking surface, ensure no loose bristles remain on cooking surfaces prior to cooking.
7. If you notice grease or other hot material dripping from BLACKSTONE Tailgater Combo onto valve, hose or regulator, turn off gas supply at once. Determine the cause, correct it, then clean and inspect valve, hose and regulator before continuing. Perform a leak test.
8. Keep ventilation openings in cylinder enclosure free and clear of debris.
9. The regulator may make a humming or whistling noise during operation. This will not affect safety or use of BLACKSTONE Tailgater Combo.

10. If you have a BLACKSTONE Tailgater Combo problem see the "Troubleshooting Section".
11. If the regulator frosts, turn off BLACKSTONE Tailgater Combo and LP cylinder valve immediately. This indicates a problem with the cylinder and it should not be used on any product. Return to supplier!

| | | |
|---|----------------|---|
|  | WARNING |  |
| Turn controls and gas source or tank OFF when not in use. | | |
|  | CAUTION |  |
| If ignition does NOT occur in 5 seconds, turn the burner controls OFF, wait 5 minutes and repeat the lighting procedure. If the burner does not ignite with the valve open, gas will continue to flow out of the burner and could accidentally ignite with risk of injury. | | |

Match-Lighting

Do not lean over BLACKSTONE Tailgater Combo while lighting. Make sure no leakage at the tube. Insure that valve knob and regulator knob are in the "OFF" position. First open the valve knob regulator to light by match. If your appliance has a top cover, you must open the top cover first. If ignition does not occur in 5 seconds, turn the burner control(s) off, wait 5 minutes and repeat the lighting procedure.

1. Place match into match holder(hanging from side panel of griddle). Light match: then light burner by placing match on right or left side of griddle
2. Push in and turn burner knob to the HIGH position, depending on match light hole selected. Be sure burner lights and stays lit.

Burner Flame Check

Light burner, rotate knob from high to low. You should see a smaller flame in low position than seen on high. Perform burner flame check on side burner, also. Always check flame prior to each use. If only low flame is seen refer to “Sudden drop or low flame” in the Troubleshooting.

Turning the Tailgater Off

Turn knob to the OFF position. Turn LP cylinder OFF by turning hand-wheel clockwise to a full stop.

Valve Check

Important: Make sure gas is off at LP cylinder before checking valves. Knobs lock in OFF position. To check valve, first push in knob and release, knob should spring back. If knob does not spring back, replace valve assembly before using the Tailgater. Turn knob to low position then turn back to OFF position. Valve should turn smoothly.

Hose Check

Clean and inspect the hose before each use of the appliance. If there is evidence of abrasion, wear, cuts or leaks, the hose must be replaced prior to the appliance being put into operation. Use only identical replacement part valve/hose/regulator as specified in the Parts List of this Use and Care Guide.

General Tailgater Cleaning

- Do not mistake brown or black accumulation of grease and smoke for paint. Interiors of gas ovens are not painted at the factory (and should never be painted). Apply a strong solution of detergent and water or use an oven cleaner with scrub brush on insides of oven lid and bottom. Rinse and allow to completely air dry. Do not apply a caustic griddle/oven cleaner to painted surfaces.
- Plastic parts: Wash with warm soapy water and wipe dry. Do not use Citrisol, abrasive cleaners, de-greasers or a concentrated oven cleaner on plastic parts. Damage to and failure of parts can result.

- Painted surfaces: Wash with mild detergent or nonabrasive cleaner and warm soapy water. Wipe dry with a soft nonabrasive cloth.
- Stainless steel surfaces: To maintain your Tailgater’s high quality appearance, wash with mild detergent and warm soapy water and wipe dry with a soft cloth after each use.
- Baked-on grease deposits may require the use of an abrasive plastic cleaning pad. Use only in direction of brushed finish to avoid damage. Do not use abrasive pad on areas with graphics. If a bristle brush is used to clean any of the Tailgater’s cooking surfaces, ensure no loose bristles remain on cooking surfaces prior to cooking.

Storing Your BLACKSTONE Tailgater Combo

- Store in dry location.
- When an LP cylinder is connected to BLACKSTONE Tailgater Combo, store outdoors in a well-ventilated space and out of reach of children.
- Cover BLACKSTONE Tailgater Combo if stored outdoors. Choose from a variety of BLACKSTONE Tailgater Combo covers offered by Blackstone.
- Store BLACKSTONE Tailgater Combo indoors ONLY if LP cylinder is turned off and disconnected, removed from BLACKSTONE Tailgater Combo and stored outdoors.
- When removing BLACKSTONE Tailgater Combo from storage, follow “Cleaning the Burner Assembly” instructions before starting griddle.

Cleaning the Burner Assembly

Follow these instructions to clean and/or replace parts of burner assembly or if you have trouble igniting BLACKSTONE Tailgater Combo.

1. Turn gas OFF at control knob and LP cylinder.
2. Remove upper cover (Part 1 on parts list).

3. Remove heat shield and aluminum cover, stone, and rotating panel.
4. Detach electrode from burner.
NOTE: Removal/Detachment method will depend on the burner configuration.
5. Carefully lift burner up and away from valve openings. We suggest three ways to clean the burner tubes. Use the one easiest for you. (A) Bend a stiff wire (a light weight coat hanger works well) into a small hook. Run the hook through burner tube several times.(B) Use a narrow bottle brush with a flexible handle (do not use a brass wire brush), run the brush through burner tube several times.(C) Wear eye protection: Use an air hose to force air into the burner tube and out the burner ports. Check each port to make sure air comes out each hole.
6. Wire brush entire outer surface of burner to remove food residue and dirt.
7. Clean any blocked ports with a stiff wire such as an open paper clip.
8. Check burner for damage, due to normal wear and corrosion some holes may become enlarged. If any large cracks or holes are found replace burner.
VERY IMPORTANT: Burner tubes must reengage valve openings.
9. Attach electrode to burner.
10. Carefully replace burners.
11. Attach burners to brackets on firebox.
12. Reposition carryover tubes and attach to burner.

Food Safety

Food safety is a very important part of enjoying the outdoor cooking experience. To keep food safe from harmful bacteria, follow these four basic steps:

Clean: Wash hands, utensils, and surfaces with hot soapy water before and after handling raw meat and poultry.

Separate: Separate raw meats and poultry from ready-to eat foods to avoid cross contamination. Use a clean platter and utensils when removing cooked foods.

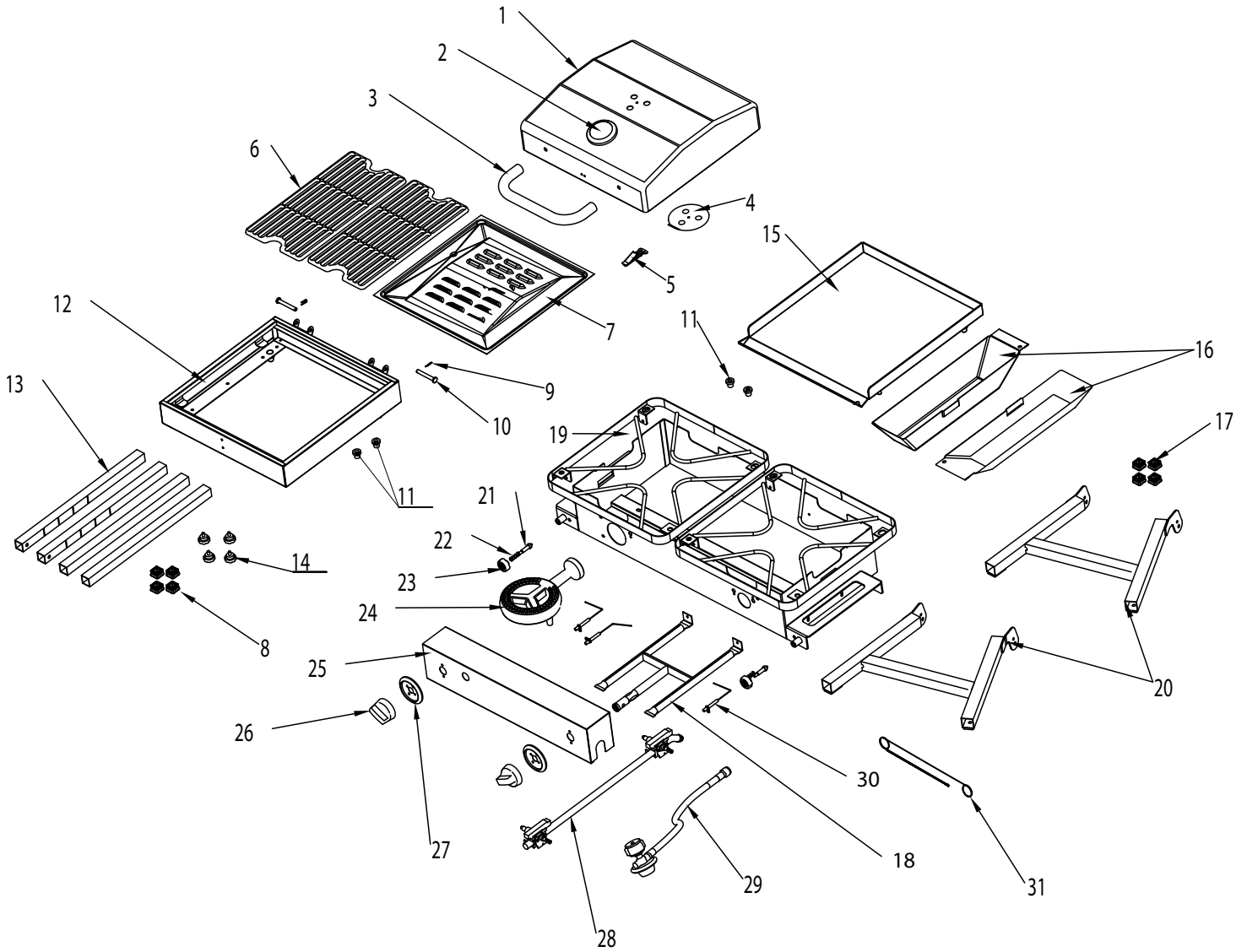
Cook: Cook meat and poultry thoroughly to kill bacteria. Use a thermometer to ensure proper internal food temperatures.

Chill: Refrigerate prepared foods and leftovers promptly. For more information Visit the Canadian partnership for Consumer Food Safety Education- www.befoodsafe.ca.

How To Tell If Meat Is Grilled Thoroughly

- Meat and poultry cooked on a griddle or oven often browns very fast on the outside. Use a meat thermometer to be sure food has reached a safe internal temperature, and cut into food to check for visual signs of being done.
- Whole poultry should reach 165° F/74°C. Juices should run clear and flesh should not be pink.
- Hamburgers made of any ground meat or poultry should reach 160° F/71°C , and be brown in the middle with no pink juices. Beef, veal and lamb steaks, roasts and chops can be cooked to 145° F/63°C . All cuts of pork should reach 160° F/71°C.
- NEVER partially grill meat or poultry and finish cooking later. Cook food completely to destroy harmful bacteria.
- When reheating takeout foods or fully cooked meats like hot dogs, grill to 165° F/64°C , or until steaming hot dogs, grill to 165°F/74°C, or until steaming hot.

ILLUSTRATED PARTS LIST



PARTS LIST

| Part ID | Name | Quantity |
|---------|-------------------|----------|
| 1 | Grill Box Lid | 1 |
| 2 | Thermometer | 1 |
| 3 | Handle | 1 |
| 4 | Air Vent | 1 |
| 5 | Latch | 1 |
| 6 | Grill Grid | 2 |
| 7 | Flame Tamper | 1 |
| 8 | Square Tube Plug | 4 |
| 9 | Straight Pin | 2 |
| 10 | Hinge Pin | 2 |
| 11 | Adjustable Feet | 4 |
| 12 | Grill Box Housing | 1 |
| 13 | Lower Feet | 4 |
| 14 | Thumb Screw | 4 |
| 15 | Griddle Top | 1 |
| 16 | Oil Drip Tray | 2 |
| 17 | Square Tube Plug | 4 |
| 18 | H-Burner | 1 |
| 19 | Main Body | 1 |
| 20 | Upper Legs | 2 |
| 21 | Stop Pin | 2 |
| 22 | Spring | 2 |
| 23 | Lever Knob | 2 |
| 24 | Burner | 1 |
| 25 | Front Panel | 1 |
| 26 | Temperature Knob | 2 |
| 27 | Chrome Bezels | 2 |
| 28 | Valve Assembly | 1 |
| 29 | Regulator | 1 |
| 30 | Ignition Needle | 3 |
| 31 | Match Holder | 1 |

WARNING: The manufacturer has made every effort to eliminate any sharp edges. However, you should handle all components with care to avoid accidental injury. Tools required: The only tool needed is a Phillips Screwdriver for minimal assembly on the cover and main body handles.

ASSEMBLY:

Please read all instructions thoroughly before proceeding. Find a large, clean area in which to assemble your BLACKSTONE Tailgater Combo. Please refer to the parts list and assembly diagram as necessary. BLACKSTONE Tailgater Combo assembly involves large components; therefore, it is advised to have two people set up the unit.



VIDEO ASSEMBLY

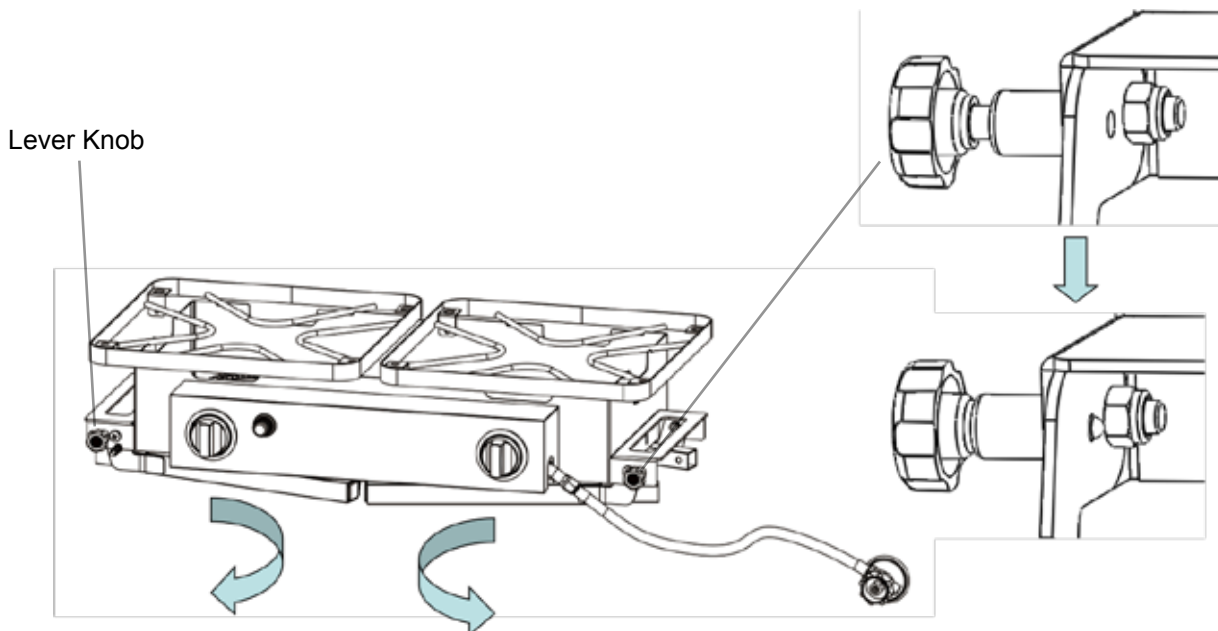
Watch an actual BLACKSTONE Tailgater assembly. Use a QR Code App and scan the QR code to the left. You will be taken to the Tailgater resource page.

You can also visit this page at www.blackstoneproducts.com/tailgater

NOTICE: *Make sure all the plastic protection is removed before assembling*

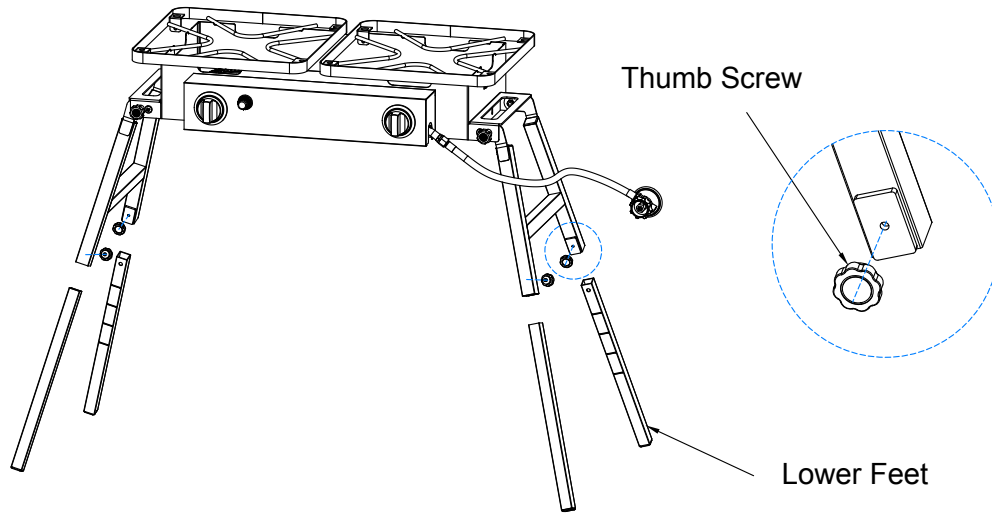
Step 1

Take out the main body, pull out the lever knob and unfold the legs.



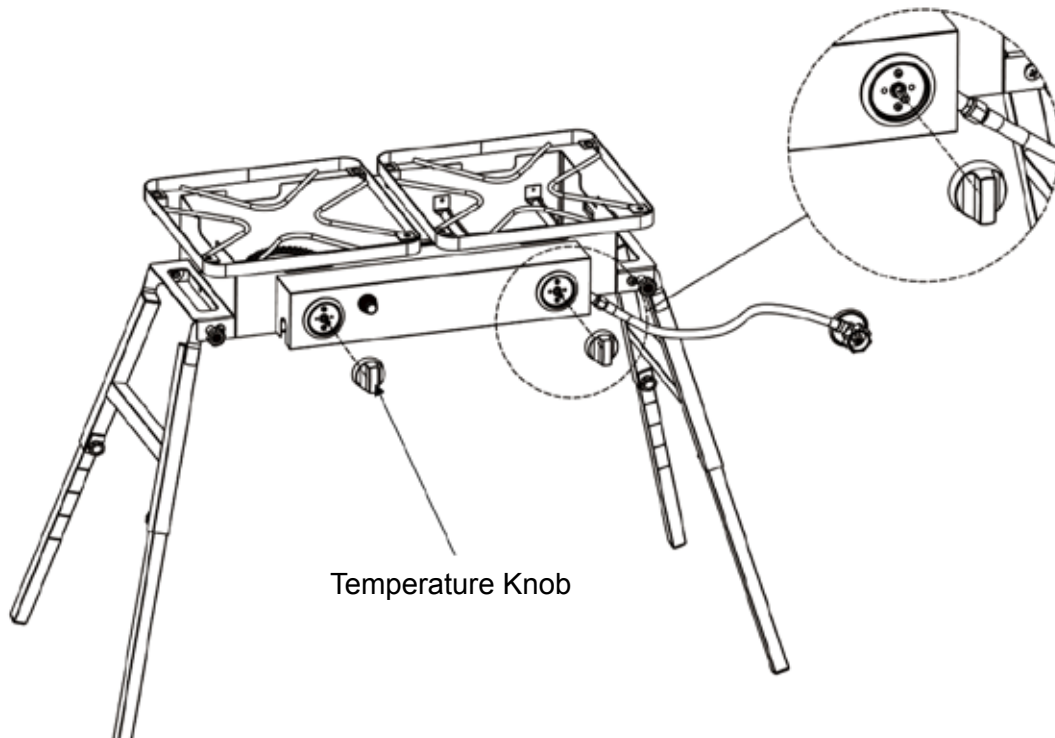
Step 2:

Insert the Lower Feet into the Upper Legs. Adjust the height by the markings on the Lower Feet and then tighten the Thumb Screws when you have the feet adjusted to the height you want.



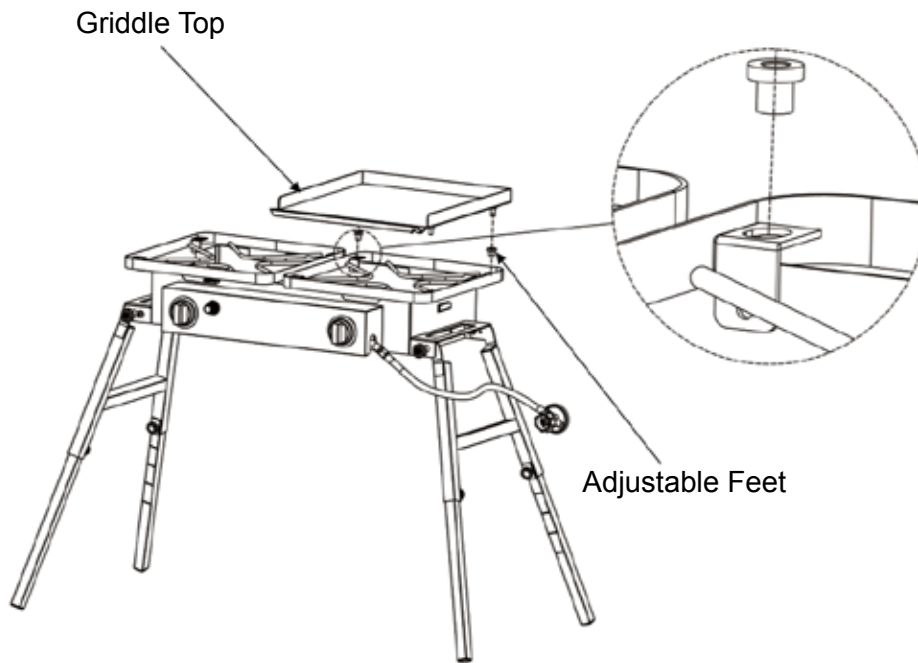
Step 3:

Push on the Temperature Knobs onto the temperature control neck.



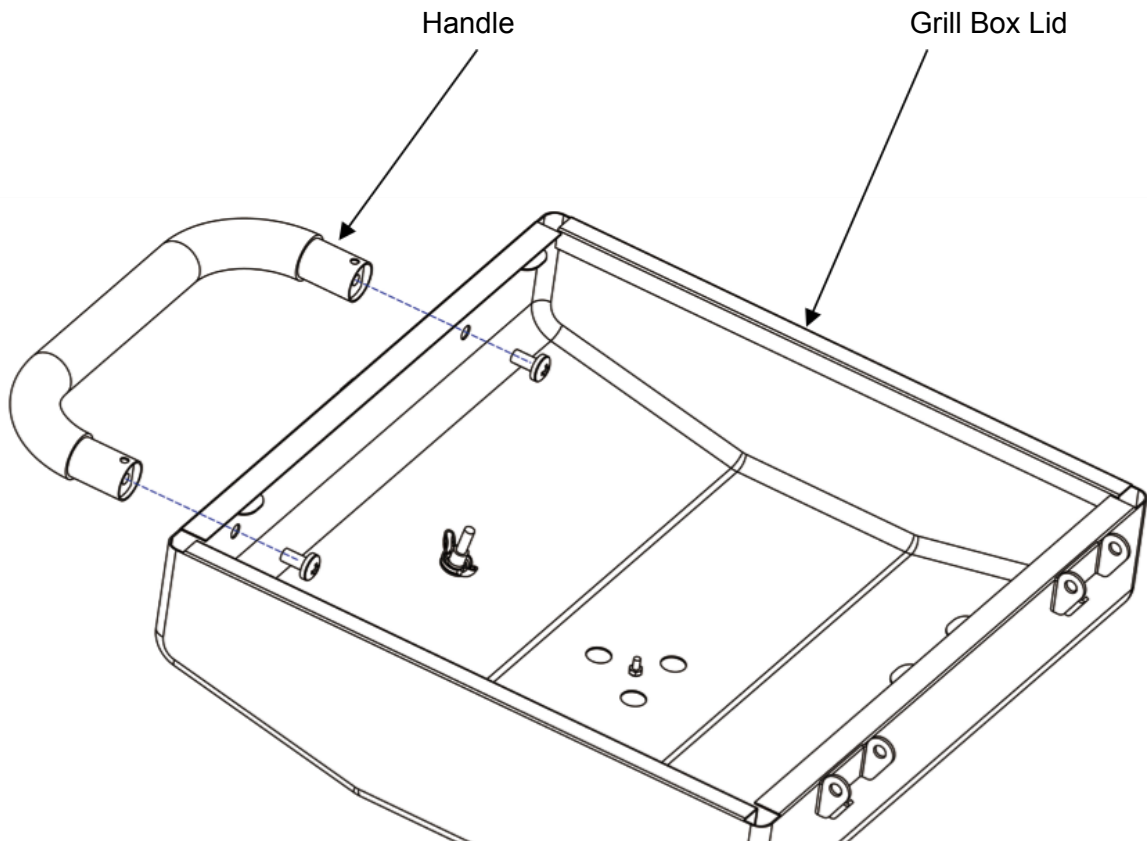
Step 4:

Assemble Griddle Top. Align Griddle Top legs to cooking grate sockets. Seat Griddle top into grate sockets. Adjustable screws on back Griddle Top allow for leveling cooking surface.



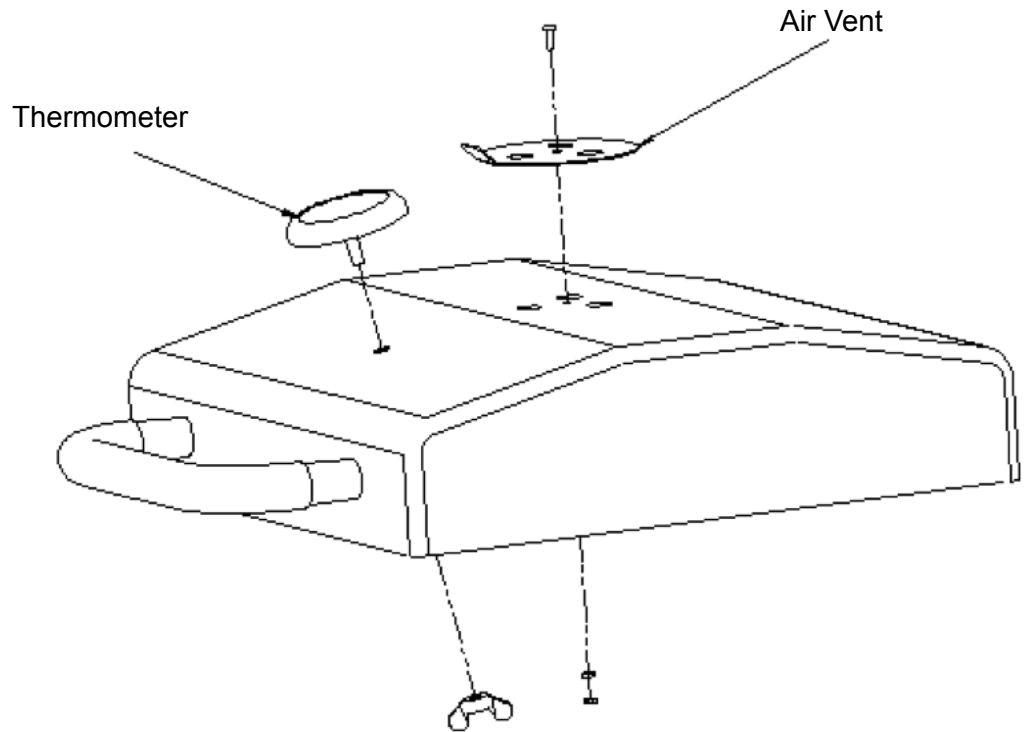
Step 5:

Assemble left Grill Box Lid. With a screw driver, attach the Handle using M8-19 Screw from within the lid



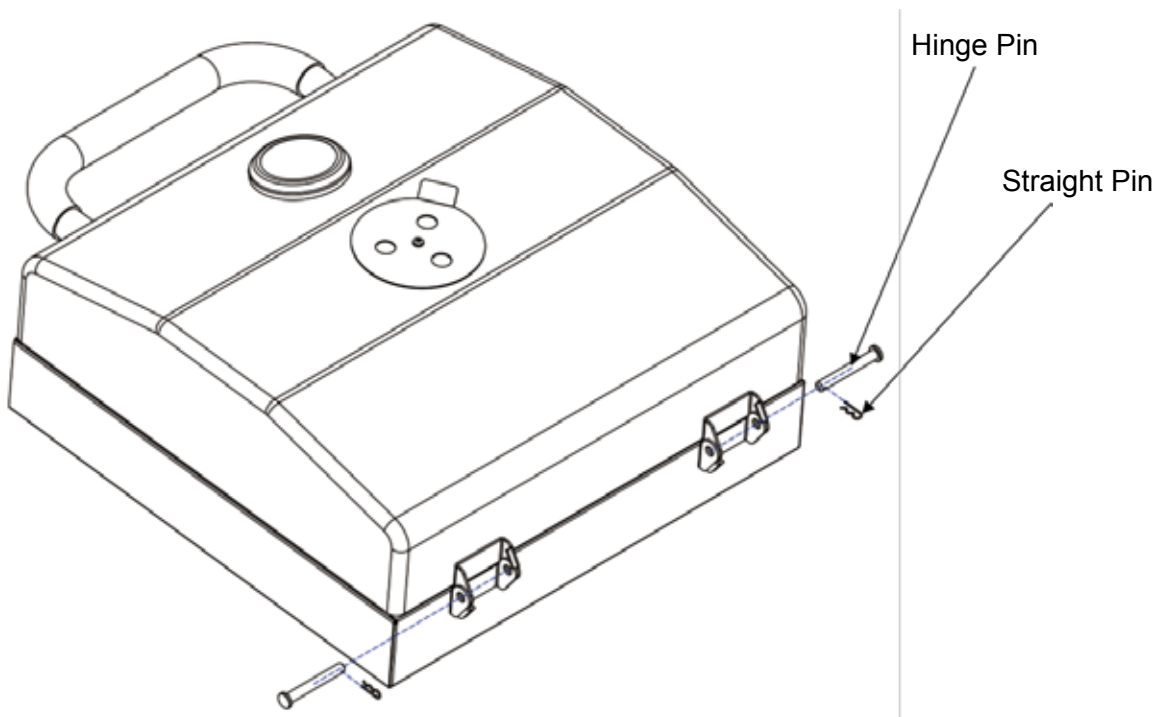
Step 6:

Add Thermometer and Air Vent to the left Grill Box Lid. The Thermometer is secured with a single wing nut. The Air Vent is fastened with the small M4-12 screw from the top and secured with the thin M4 Nut from the inside.



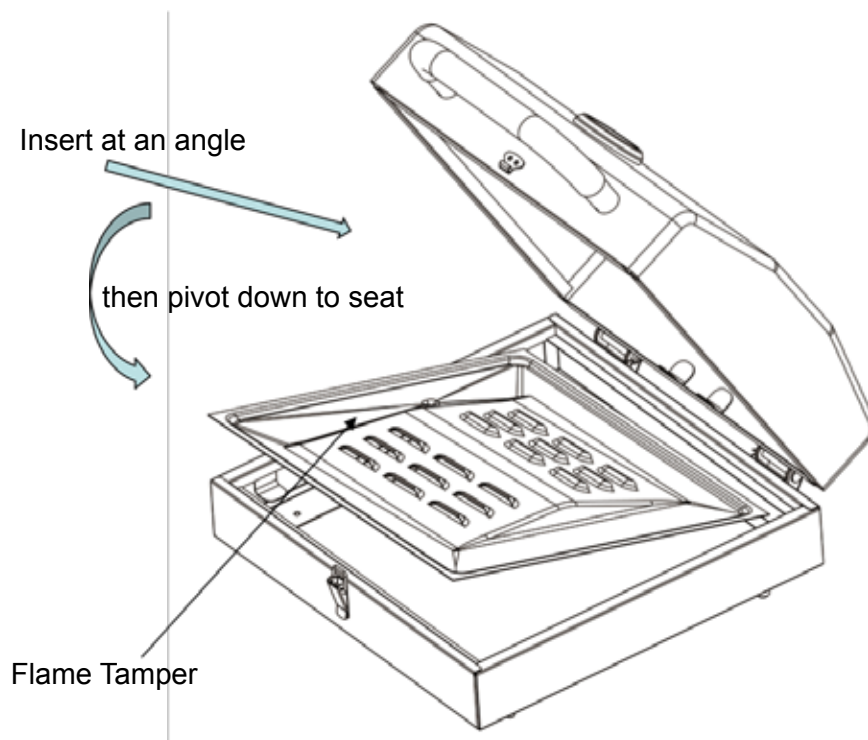
Step 7:

Complete the Grill Box assembly by attaching the Grill Box Lid to the base by lining up the back hinges. Push the Hinge Pins through the eyelets and secure with a Straight Pin.



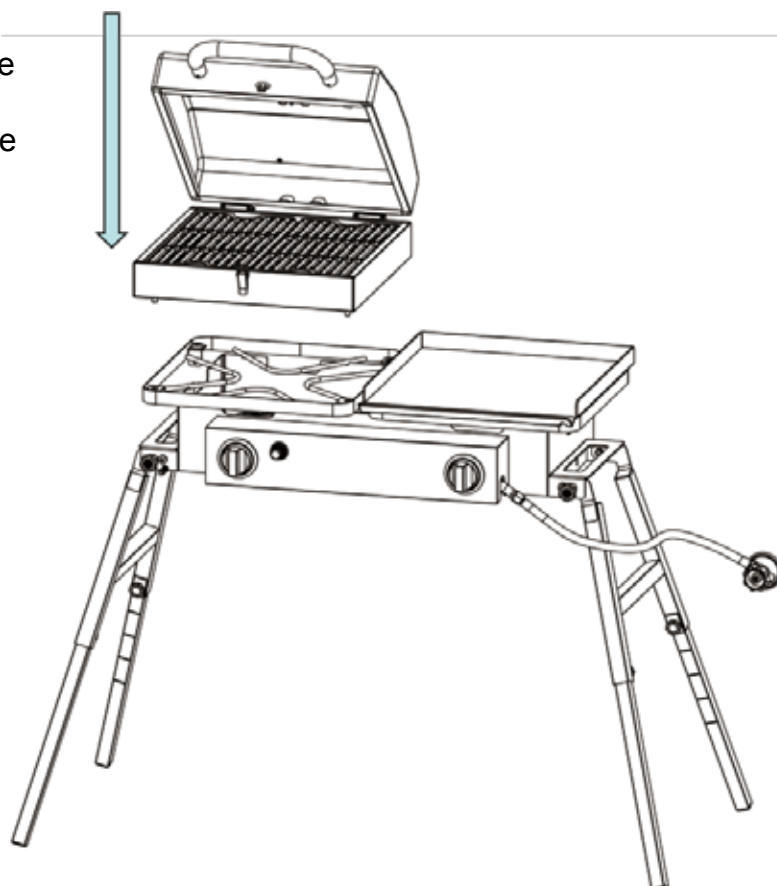
Step 8:

Insert Flame Tamper into the Grill Box base.



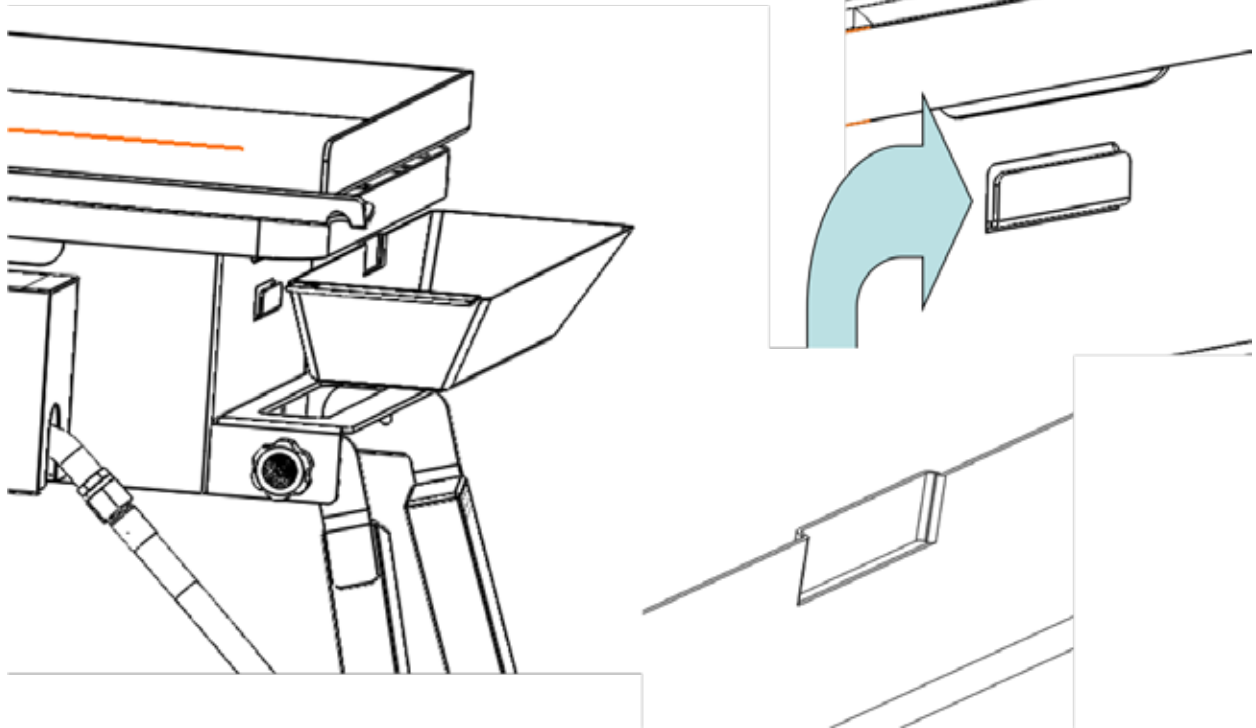
Step 9:

Place Grill Box assembly on the left side grate. The Grill Box placement legs will line up the the placement sockets on the body grate.



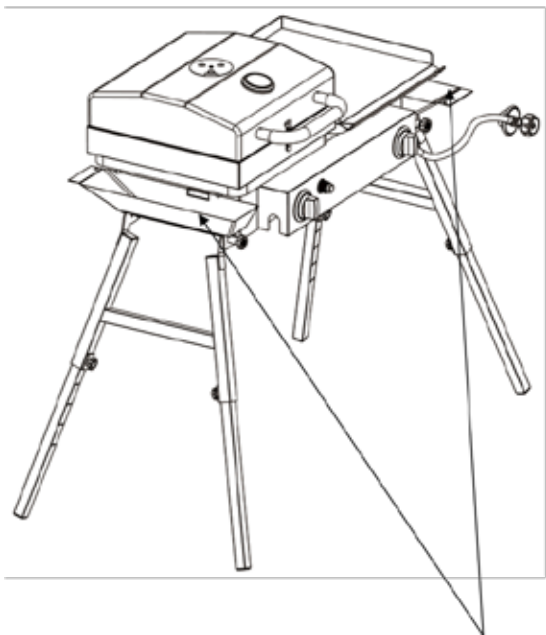
Step 10:

Each Drip Tray has a punched out tab for hanging. Locate the corresponding hook tab on the right side of the body. Socketing the grease tray to the body will place it directly below the Griddle Top grease runoff



Step 11:

Attach second Grease Tray to left side. Unscrew Ignition Button, insert AA battery (not included)



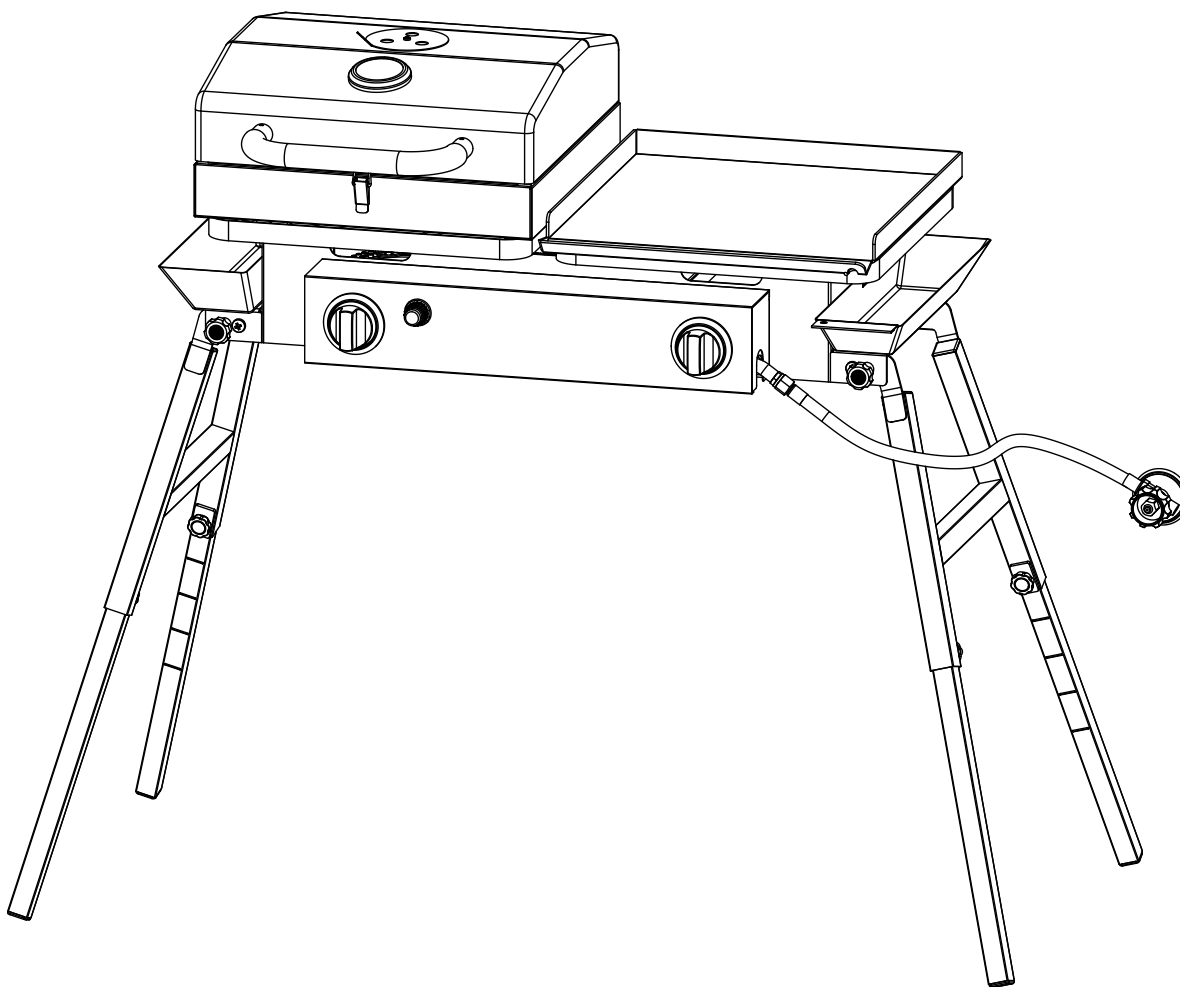
Two, opposite facing,
Grease Trays



Electronic Ignition Button.
Unscrew, insert AA Battery, replace button

Enjoy your new Blackstone Tailgater

Your new Tailgater is designed for versatility. The burner on the left is designed for intense, concentrated heat. This is great for cooking in pots, pans, skillets, or grilling in the included Grill Box. The stainless steel tube burner on the right side of the Tailgater, is designed to distribute the heat over a larger area. This is ideas for cooking on larger surfaces, like the included Griddle Top.



LIGHTING INSTRUCTION

Lighting The Grill

Do not lean over the grill when lighting. Read instructions before lighting.

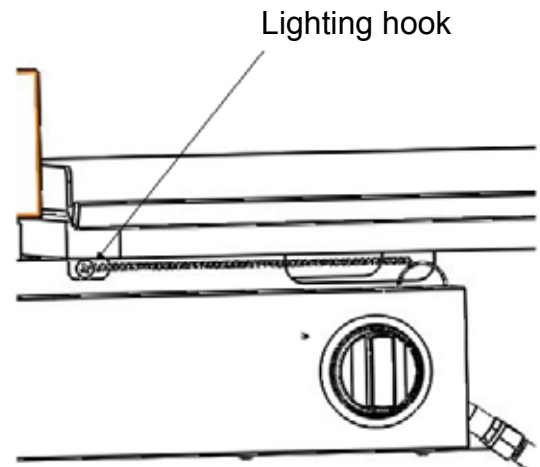
1. Turn the control knobs to OFF position.
2. Open valve at tank fully by turning counterclockwise.
3. Open lid during lighting.
4. Push and turn the control knob counterclockwise to High position.
5. Press Ignition Button to ignite flowing gas. Insure a good AA Battery, positive terminal facing outward, is installed the Ignitor Button.
6. If ignition does not occur in 5 seconds, turn the burner control off, wait 5 minutes, and repeat the lighting procedure or refer to match lighting instructions below.
7. Repeat the lighting instruction to ignite other burner.

Match Lighting (lighting hook located above right knob)

1. Turn the control knobs to OFF position.
2. Open valve at tank fully by turning counterclockwise.
3. Open lid during lighting.
4. Insert a match in the end of lighting hook.
5. Light the match.
6. Immediately place the lit match through hole near the burner.
7. Push and turn the control knob to “+” position and burner should light immediately.

If ignition does not occur in 5 seconds, turn the burner control off, wait 5 minutes, and repeat the lighting procedure.

Repeat the lighting instruction to ignite other burner.



CARE AND MAINTENANCE

Regularly clean your BLACKSTONE Tailgater Combo between uses and especially after extended periods of storage. Ensure that the BLACKSTONE Tailgater Combo and its components are sufficiently cool before cleaning.

- Never handle hot parts with unprotected hands.
- In order to extend and maintain the life and condition of your BLACKSTONE Tailgater Combo, we strongly recommend that the unit be covered when left outside for any length of time, especially during the winter months.

Burner maintenance:

In most circumstances, burning off the residue after cooking will keep the burner clean. The burner should be removed and cleaned annually or whenever heavy build-up is found in order to ensure that there is no blockage (debris, insects) in either the burner portholes or venture tubes. Use pipe cleaner to clear obstructions. A wire brush can be used to remove corrosion from the burner surfaces. When refitting the burner, be careful to check that the venture tubes of the burner fit over the valve outlets.

Fittings and Storage:

Annual checking and tightening of metal fittings is recommended. Store the BLACKSTONE Tailgater Combo in a cool dry place. Cover the burners with aluminum foil in order to prevent insects or other debris from collecting in the burner holes. If the BLACKSTONE Tailgater Combo is to be stored indoors, the gas bottle must be disconnected and left outside. The gas bottle should always be stored outside, out of reach of children, and in a dry, well-ventilated area away from any sources of heat or ignition.

TROUBLE SHOOTING

| PROBLEM | POSSIBLE CAUSE | SOLUTION |
|--|---|---|
| Burner will not light using the Auto Strike system. | <ol style="list-style-type: none"> 1. LP gas cylinder is empty. 2. Faulty regulator. 3. Obstructions in the burner. 4. Obstructions in gas jets or gas hose. 5. Electrode is damaged/faulty push button igniter. | <ol style="list-style-type: none"> 1. Replace with full cylinder. 2. Have the regulator checked or replaced. 3. Clean burner. 4. Clean jets and gas hose. 5. Change electrode and wire change igniter. |
| Burner will not light with a match. | <ol style="list-style-type: none"> 1. LG gas cylinder is empty. 2. Faulty Regulator. 3. Obstructions in burner. 4. Obstructions in gas jets or gas hose. | <ol style="list-style-type: none"> 1. Replace with full cylinder. 2. Have the regulator checked or replaced. 3. Clean Burner. 4. Clean jets and gas hose. |
| Fire in burner tube has a low flame or flashback (a hissing or roaring noise may be heard) | <ol style="list-style-type: none"> 1. LP gas cylinder is empty. 2. Obstructions in burner. 3. Obstructions in gas jets or gas hose. 4. Windy conditions. | <ol style="list-style-type: none"> 1. Use larger cylinder. 2. Clean burner. 3. Clean jets and gas hose. 4. Use grill in a more sheltered position. |

North Atlantic Imports LLC, 90 Day & Limited Warranty

North Atlantic Imports LLC the manufacturer, will warranty, for 30 days from purchase, all parts, workmanship, and finishes (against rust).

It will be the manufacturer's option as to whether to repair or replace any of the above items.

All warranties are limited to the original purchaser only. This warranty does not cover any liability on the part of North Atlantic Imports LLC, its agents or employees, for any indirect or consequential damages for breach of warranty.

The purchaser must follow the manufacturer's usage instructions.

Under no circumstances is the manufacturer responsible for damages from the failure to operate the BLACKSTONE Tailgater Combo properly.

It is the responsibility of the purchaser to establish the warranty period by verifying the original purchase date with original sales receipt.

For more detailed explanation of the warranty, read below:

North Atlantic Imports LLC warrants to the owner that the product covered by this agreement is free from defects in material and workmanship under normal use and service for which it was intended if, but only if, it has been operated in accordance with North Atlantic Imports LLC instructions exclusively for domestic use, and not for private or public club, institutional, or commercial purposes. North Atlantic Imports LLC obligation under this warranty is limited to replacing or repairing, free of charge, any part or parts that may prove, to the satisfaction in North Atlantic Imports LLC, to be defective under normal home use and service within the following stated periods of time from the date of purchase; a) for 90 days from purchase, all parts, finish, and workmanship. Should any failure to conform to this warranty become apparent during applicable warranty periods stated above, the original purchaser must notify North Atlantic Imports LLC of breach or warranty within the applicable warranty period. North Atlantic Imports LLC shall upon notice and compliance by the original purchaser with such instructions, correct such nonconformity by repair or replacement of the defective part or parts. Correction in the manner provided above shall constitute a fulfillment of all obligations of North Atlantic Imports LLC with respect to the quality of the product.

North Atlantic Imports LLC does not warrant this equipment to meet the requirement of any safety code of any state, municipality or other jurisdiction, and the original purchaser assumes all risk and liability whatsoever resulting from the use thereof, whether used in accordance with North Atlantic Imports LLC instructions or otherwise. This warranty does not cover and is intended to exclude any liability on the part of North Atlantic Imports LLC its agents, servants or employees whether under this warranty or implied by law for any indirect or consequential damages for breach on any warranty. The purchaser must establish all applicable warranty periods pursuant to this warranty by verifying the original purchase date by producing the dated sales receipt. This warranty shall not apply to this product or any other part thereof which has been subject to accident, negligence, alteration, abuse, or misuse or which as been repaired or altered without North Atlantic Imports LLC written consent, outside of North Atlantic Imports LLC factory. North Atlantic Imports LLC makes no warranty whatsoever in respect to accessories or parts not supplied with it. This warranty shall apply only within the boundaries of the United States of America. This warranty gives the original purchaser specific rights, and the original purchaser may also have other rights, which vary from state to state.

Our Customer Service staff is here to help you!

For questions regarding your BLACKSTONE Tailgater Combo, or if in need of replacement parts, you may contact us at:

USA Support call: 435.252.3030 | Canada Support call: 1.801.656.2041

or

support@blackstoneproducts.com

We're pleased to help you with any questions concerning replacement parts or your warranty. Our customer service staff can be reached Monday through Friday from 9:00 am to 5:00 pm Mountain Standard Time. If all operators are busy or you call after hours, you may leave a message and your call will be returned.

BLACKSTONE®

MODÈLE #1555

MANUEL DE L'UTILISATEUR

Tailgater Combo



USAGE EN PLEIN AIR UNIQUEMENT





AVERTISSEMENT



Lire ce manuel avant montage et utilisation.
Manuel à conserver.

Ce manuel contient des informations importantes pour le montage et l'utilisation de cet appareil en toute sécurité. Lire les instructions et consignes de sécurité avant l'assemblage et l'utilisation de l'appareil. Respecter les instructions et consignes de sécurité lors de l'assemblage et de l'utilisation de l'appareil.

Tout manquement aux consignes de sécurité et instructions peut causer un feu ou une explosion et entraîner des destructions, blessures ou la mort.

| | |
|---|---|
| <p> DANGER</p> <p>En cas d'odeur de gaz :</p> <ol style="list-style-type: none">1. Ouvrir le capot.2. Couper l'alimentation de gaz.3. Eteindre toute flamme.4. Si l'odeur persiste, se tenir à l'écart de l'appareil et contacter immédiatement le fournisseur de gaz ou les pompiers. | <p> AVERTISSEMENT</p> <ol style="list-style-type: none">1. Ne pas stocker d'essence, autres liquides inflammables ou vapeurs à proximité de cet appareil ou de tout autre appareil.2. Ne pas conserver de bouteille de gaz non connectée à l'appareil à proximité de celui-ci ou de tout autre appareil. |
|---|---|

ATTENTION:

Avant de commencer, lire et comprendre la section « Informations importantes » de ce manuel. Ce manuel contient des informations importantes pour le montage et l'utilisation de cet appareil en toute sécurité. Lire les instructions et consignes de sécurité avant l'assemblage et l'utilisation de l'appareil. Respecter les instructions et consignes de sécurité lors de l'assemblage et de l'utilisation de l'appareil.

Le non respect des instructions peut provoquer un feu ou une explosion.

L'utilisateur est responsable de l'assemblage, l'installation et l'entretien du BLACKSTONE Tailgater Combo suivant les instructions de ce manuel.

Le non respect des instructions peut entraîner des blessures corporelles et/ou dommages matériels.

REFLEXE DE SECURITE EN CAS D'ODEUR DE GAZ :

1. Couper l'alimentation à la bouteille de gaz.
2. Eteindre toute flamme ; ne pas utiliser d'appareil électrique à proximité.
3. Ventiler la zone.
4. Rechercher de potentielles fuites en suivant les instructions du manuel.

PRECAUTIONS :

1. Vérifier l'étanchéité des connexions après chaque recharge de bouteille de gaz.
2. Ne jamais rechercher une fuite à l'aide d'une allumette ou autre flamme.

3. Ne pas stocker d'essence, autres liquides inflammables ou vapeurs à proximité de cet appareil ou de tout autre appareil.
4. Ne pas conserver de bouteille de gaz non connectée à l'appareil à proximité de celui-ci ou de tout autre appareil.
5. Ne pas stocker de bouteille de gaz sous, à coté de l'appareil ou dans un espace clos.
6. Ne jamais remplir la bouteille au delà de 80% de sa capacité max.
7. Le non respect d'un des deux points précédent peut provoquer un feu entraînant des blessures graves ou la mort.
8. Ne pas utiliser le BLACKSTONE Tailgater Combo à moins de 36 pouces de murs, plafonds ou autres constructions pouvant prendre feu. Ne jamais utiliser en intérieur.
9. Ne pas utiliser sous des surfaces combustibles.
10. Cet appareil utilise un régulateur ZHENDAR T3. En cas de défaillance, le faire remplacer, par le même model, par un professionnel agréé.
11. Faire une vérification visuelle de l'alimentation depuis la connexion à la bouteille jusqu'aux bruleurs afin d'identifier de potentielles fuites, fissures ou intrusions. Commencer par la connexion sur la bouteille puis vers le tuyau métallique derrière le couvercle du thermomètre. Inspecter visuellement les mécanismes des boutons pour des défauts similaires. Suivre les tuyaux en métal depuis le cadran du thermomètre vers les bruleurs. Rechercher toute anomalie ou fissure sur les sorties de gaz, bruleurs et au centre du grill. En cas de questions ou remarques, contacter le service client.



AVERTISSEMENT



- Cet appareil est prévu pour une utilisation en plein air uniquement et ne doit jamais être utilisé dans un bâtiment, garage ou autre espace clos.
- Cet appareil n'est pas conçu pour être fixé ou installé sur des véhicules.
- Garder le tuyau d'alimentation de gaz loin de sources de chaleur.
- La consommation d'alcool ou de certains médicaments peut entraver à l'assemblage et l'utilisation correcte de l'appareil.
- En cas de feu de graisse ou d'huile, ne pas essayer de l'éteindre avec de l'eau. Appeler immédiatement les pompiers. Un extincteur de type BC ou ABC peut, dans certains cas, contenir le feu.
- Ne pas laisser l'appareil sans supervision. Tenir enfants et animaux à distance.
- Cet appareil n'est pas prévu pour et ne doit pas être utilisé comme chauffage.
- Porter des gants isolants lors de l'utilisation. L'appareil sera chaud pendant et après utilisation.

DANGER

En cas d'odeur de gaz :

1. Couper l'alimentation de gaz.
2. Eteindre toute flamme.
3. Si l'odeur persiste, se tenir à l'écart de l'appareil et contacter immédiatement le fournisseur de gaz ou les pompiers.

AVERTISSEMENT

1. Ne pas stocker d'essence, autres liquides inflammables ou vapeurs à proximité de cet appareil ou de tout autre appareil.
2. Ne pas conserver de bouteille de gaz non connectée à l'appareil à proximité de celui-ci ou de tout autre appareil.

Besoin d'aide ou d'informations, appeler le centre d'information BLACKSTONE.

Des pièces manquantes ? Des questions au sujet de l'assemblage ? Problèmes d'utilisation ? Avant de rapporter le BLACKSTONE Tailgater Combo appelez le :

USA (435) 252-3030 | Canada 1.801.656.2041

ou email : support@blackstoneproducts.com

Numéro du model _____

Numéro de série _____

Date d'achat _____

Installateur : Laisser ces instructions à l'acheteur.
 Acheteur : Conserver ces instructions pour futur références.

ATTENTION

Certaines pièces peuvent être coupantes ou pointues, porter des gants de protection si nécessaire.

ATTENTION

Conçu pour une utilisation privée, en plein air et non commerciale.

Précautions d'installation

- N'utiliser le BLACKSTONE Tailgater Combo qu'avec une bouteille de gaz propane liquide et le régulateur/valve fournis.
- L'utilisation du BLACKSTONE Tailgater Combo doit respecter les codes locaux en vigueur. En l'absence de code local, respecter le National Fuel Gas Code, ANSI Z223.1/ NFPA 54, Natural Gas et Propane Installation Code, CSA B149.1, ou Propane Storage and Handling Code, B149.2, ou le Standard for Recreational Vehicles, ANSI A 119.2/ NFPA 1192, et CSA Z240 RV Series, Recreational Vehicle Code, selon situation.
- Le BLACKSTONE Tailgater Combo n'est pas conçu pour une utilisation à bord d'un bateau ou de tout autre véhicule.
- Le BLACKSTONE Tailgater Combo est certifié pour une utilisation aux Etats Unis ou au Canada seulement. Ne pas tenter de le modifier pour une utilisation dans un autre pays. Toute modification pourrait entraîner des risques de sécurité.
- Il est impératif d'utiliser le régulateur et les tuyaux fournis avec l'appareil. Tout remplacement doit être fait en respectant les spécifications du constructeur.
- Placer le cache sur la valve de la bouteille de gaz lorsque celle-ci n'est pas utilisée. N'utiliser que le cache fournis. L'utilisation d'autres systèmes pourrait provoquer des fuites de propane.
- Cet appareil est conçu pour une utilisation en plein air et ne doit pas être utilisé dans un bâtiment, garage ou espace clos.
- Cet appareil n'est pas conçu pour être installé sur ou dans un véhicule.
- Garder les tuyaux d'alimentation à l'écart des surfaces chaudes.
- La consommation d'alcool ou de certains médicaments peut entraver à l'assemblage et l'utilisation correcte de l'appareil.
- En cas de feu de graisse ou d'huile, ne pas essayer de l'éteindre avec de l'eau. Appeler immédiatement les pompiers. Un extincteur de type BC ou ABC peut, dans certains cas, contenir le feu.

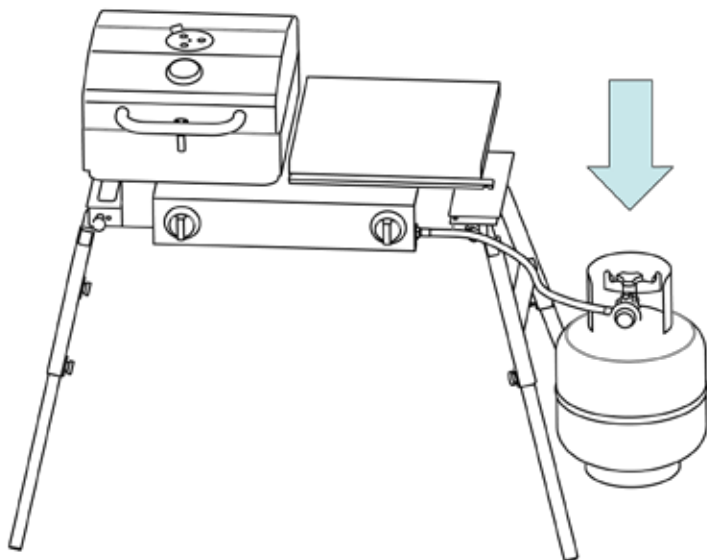
- Ne pas laisser l'appareil sans supervision. Tenir enfants et animaux à distance.
- Cet appareil n'est pas prévu pour et ne doit pas être utilisé comme chauffage.
- Porter des gants isolant lors de l'utilisation. L'appareil sera chaud pendant et après utilisation.

Sécurité d'utilisation

- Garder la zone d'utilisation propre et absente de matériaux combustibles, essence ou autres liquides et vapeurs.
- Ne pas obstruer le flux d'alimentation en gaz ou la ventilation d'air.
- S'assurer que la ventilation du mécanisme de la bouteille de gaz est propre.
- Surveiller les flammes des brûleurs.
- Nettoyer l'appareil y compris les surfaces spéciales à l'aide de produits recommandés si nécessaire.
- S'assurer que les brûleurs et tubes de ventilation ne sont pas obstrués par des insectes. Un feu peut se déclarer sous l'appareil si un tuyau est bouché.

Position de la bouteille

La bouteille de propane liquide est connectée sur le côté droit du Tailgater. Elle est ensuite placée entre les deux pieds droits.



Symboles de sécurité

Ci-dessous sont montrés les symboles utilisés dans ce manuel et leur signification. Bien lire et suivre les instructions de chaque symbole.



DANGER : Indique une situation durant laquelle tout manquement peut entraîner des blessures graves ou la mort.



AVERTISSEMENT : Indique une situation pouvant entraîner des blessures grave si les instructions ne sont pas suivies. Bien lire et suivre les instructions.



ATTENTION : Indique une situation pouvant entraîner de faibles blessures.



ATTENTION : Selon l'état de Californie, ce produit contient des agents chimiques pouvant causer le cancer, des anomalies congénitales et autres problèmes liés à la reproduction. (L'état de Californie demande à ce que les consommateurs de Californie reçoivent ce message.) Pour plus d'informations visitez : www.watts.com/prop65

| | |
|----------------------------------|-------|
| Sécurité | 28-31 |
| Table des matières | |
| Garantie du barbecue | 32 |
| Utilisation et précautions..... | 33-38 |
| Schéma des pièces détachées..... | 39-40 |
| Assemblage..... | 41-47 |
| Instructions d'allumage..... | 48 |
| Entretien et maintenance..... | 49 |
| Garantie limitée..... | 50 |
| Service consommateur..... | 51 |

Le BLACKSTONE Tailgater Combo est garanti 90 jours.

En cas de défaut ou anomalie d'une pièce du BLACKSTONE Tailgater Combo dans l'année suivant son achat, veuillez appeler le **1.801.656.2041** afin de recevoir les pièces de rechange nécessaires.

Veuillez conserver une copie de votre preuve d'achat. Celle-ci pourra vous être demandée pour confirmer une demande de garantie.

Service après vente 5 ans

Pour toute question sur l'utilisation ou l'assemblage, le numéro suivant est accessible gratuitement pendant 5 ans à partir de la date d'achat : **1.801.656.2041**

A la suite des premiers 90 jours d'utilisation ou si la preuve d'achat n'est pas fournie, les pièces détachées peuvent être commandées au numéro suivant :

1.801.656.2041. (Pièces, conditionnement et envoi sont à payer par le consommateur.)

Ne sont pas couverts par la garantie : les batteries de l'allumeur, la perte de peinture, décoloration ou rouille des pièces d'usure normale du BLACKSTONE Tailgater Combo. La détérioration de ces pièces peut être causé par une utilisation normale, un accident ou un entretien inadapté.

Dans le cas d'une utilisation commerciale ou de la location du BLACKSTONE Tailgater Combo, toute garantie serait annulée.



DANGER



- Ne pas stocker de bouteille de gaz sous, à côté de l'appareil ou dans un espace clos.
- Ne jamais remplir la bouteille au delà de 80% de sa capacité max.
- Le non respect d'un des deux points précédent peut provoquer un feu entraînant blessures graves ou la mort.
- Une bouteille trop remplie est susceptible de fuir à travers la soupape de sécurité et représente donc un danger. Cette fuite peut provoquer un feu entraînant des destructions, blessures graves ou la mort.
- Si vous voyez, sentez ou entendez une fuite de gaz, restez à distance et appelez les pompiers.

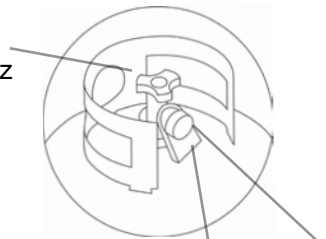
Déconnexion, transport et rangement de la bouteille

- Tourner la valve et molette de control sur OFF. Tourner le robinet de serrage, à la main, dans le sens inverse des aiguilles d'une montre. Ne pas utiliser d'outils. Retirer le fil de maintien du col de protection de la bouteille en le tirant vers le haut. Retirer ensuite la bouteille et installer le cache de sécurité sur la valve. Toujours utiliser le cache et la sangle fournis.

L'absence de cache de sécurité peut entraîner des destructions et blessures importantes.

- Avant de transporter ou stocker une bouteille de

Valve
Réservoir Gaz



Bande de fixation Bouchon de sécurité

gaz, s'assurer que le cache de sécurité est bien en place. (Comme montré ci-dessus.) Ne pas stocker la bouteille dans un espace clos, parking, garage, porche, patio couvert ou autre bâtiment. Ne jamais laisser une bouteille dans un véhicule au soleil.

- Conserver à l'écart des enfants.

Bouteille de gaz liquide

La bouteille de gaz du barbecue doit être conforme aux réglementations suivantes :

- La bouteille doit être conçu en accord avec le U.S Department of Transportation (DOT) ou pour le Canada, CAN/CSA-B339, bouteille de 20 lbs. (Dimension : largeur 12.3 pouces, hauteur 18 pouces). Sphères et tubes de transport pour matières dangereuses.

Transport Canada (TC). Voir informations sur le col de protection de la bouteille.

La valve de la bouteille doit avoir :

- Une sortie de type 1 compatible avec un régulateur ou un barbecue.
- Une soupape de sécurité.
- Un Overfill Protection Device (OPD). Ce système de protection se caractérise par un robinet trian



Bouchon de sécurité gulaire, présent uniquement sur les bouteilles de gaz utilisant ce type de valve.
La bouteille doit être disposée afin de permettre l'évacuation de vapeurs et être dotée d'un col de protection autour de la valve. Toujours maintenir la bouteille en position verticale vers le haut pendant l'utilisation, le transport et le stockage.



Bouteille en position verticale vers le haut afin de permettre l'évacuation de vapeurs.

Gaz Propane Liquide

- Le gaz propane liquide n'est pas toxique, inodore et incolore à la production.
- Par mesure de sécurité une odeur est artificiellement ajoutée afin de sentir les fuites. (Odeur de chou pourri).
- Le gaz liquide est extrêmement inflammable et peut prendre feu en contact avec l'air.

Remplissage de la bouteille

- Ne contacter que des professionnels agréés.
- Le revendeur doit nécessairement purger la bouteille avant de la remplir.
- Le revendeur ne doit JAMAIS remplir la bouteille à plus de 80% de sa capacité max. Le volume du propane dans la bouteille peut varier en fonction de la température.
- Un régulateur givré est le signe d'une bouteille trop remplie. Fermer la valve de la bouteille immédiatement et faire appel à l'assistance du revendeur.
- Répandre du gaz dans l'atmosphère est une pratique dangereuse et donc à proscrire.
- En cas de trop plein, faire appel à un revendeur agréé ou aux pompiers afin de retirer du gaz de la bouteille. Rechercher « Gaz liquide » dans l'annuaire pour trouver le revendeur agréé le plus proche.

Echange de bouteille de gaz

- De nombreux revendeurs proposent de remplacer une bouteille vide par une nouvelle bouteille au lieu de la remplir. Ne faire appel qu'à des entreprises réputées. S'assurer que les bouteilles ont été inspectées, remplies avec précision, testées et certifiées. N'échanger la bouteille qu'avec une bouteille équipée d'un robinet triangulaire de protection (OPD) décrit dans la section « Bouteille de gaz liquide » de ce manuel.
- Toujours conserver la nouvelle bouteille en position verticale et vers le haut pendant le transport, stockage et l'utilisation.
- Contrôler la présence de fuites avant de connecter la nouvelle bouteille au barbecue.
- Remplacer le cache de sécurité sur la valve de la bouteille après usage. N'utiliser que le cache fournis avec la valve de la bouteille. L'utilisation d'un autre type de cache peut entraîner des fuites de propane.

Test de recherche de fuite pour la bouteille

- Contrôler la présence de fuite à chaque changement ou recharge de la bouteille.
- Ne pas fumer pendant le test.
- Ne pas utiliser de flamme pour rechercher une fuite de gaz.
- La recherche de fuite doit être effectuée en plein air, dans une zone bien ventilée, loin de toute source d'étincelle ou d'appareil électrique ou thermique. Conserver le Tailgater loin de toute flamme ou étincelle pendant le test.
- Utiliser un pinceau et une solution d'eau savonneuse (50/50). Appliquer la solution sur les parties indiquées par des flèches dans le schéma ci-dessous. Des bulles grossissantes signalent une fuite.

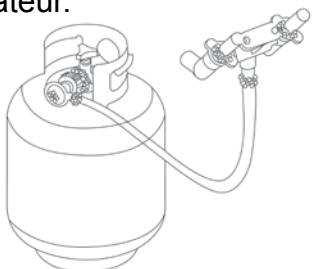


AVERTISSEMENT



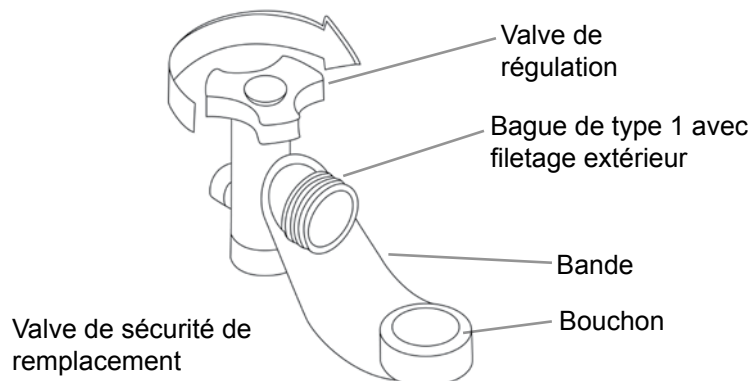
Si des bulles grossissantes apparaissent, ne pas bouger la bouteille de gaz. Contacter le revendeur de gaz ou les pompiers !

Ne pas utiliser d'agents de nettoyage domestiques. Cela pourrait endommager la valve, le tuyau ou le régulateur.



Connecter le régulateur à la valve de la bouteille

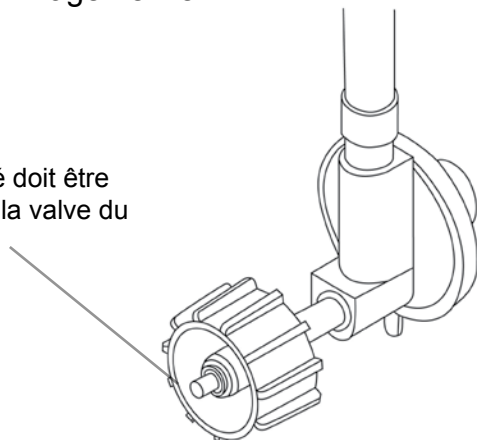
1. La bouteille doit être correctement fixée sur le Tailgater. (Voir la section « Assemblage ».)
2. Tourner tous les boutons de contrôle sur OFF.
3. Fermer la bouteille de gaz en tournant le robinet de protection triangulaire (OPD) dans le sens des aiguilles d'une montre.
4. Retirer le cache de protection de la valve de la bouteille. Toujours utiliser le cache fournis avec la valve.

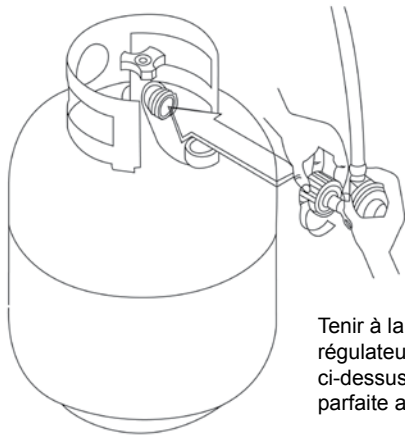


Ne pas insérer de prise POL en plastique dans la sortie de type 1 de la bouteille. Cela désactive la soupape de sécurité.

5. Tenir le régulateur et insérer le téton dans la valve de la bouteille. Serrer à la main la molette de serrage. Maintenir le régulateur face à la valve afin d'éviter d'endommager le filetage.

L'embout fileté doit être introduit dans la valve du réservoir





Tenir à la fois l'écrou et le régulateur comme montré ci-dessus pour une connexion parfaite avec la valve

6. Serrer la molette de serrage jusqu'au bout. Le régulateur vient pousser le clapet anti retour de la valve provoquant une certaine résistance. **Tourner la molette un demi/trois quart de tour afin de finaliser la connexion. Ne serrer qu'à la main, ne pas utiliser d'outil.**

NOTE:

Si la connexion est impossible, retirer le régulateur et répéter les étapes 5 et 6. Si la connexion est toujours impossible, ne pas utiliser ce régulateur.

Appeler le 1.801.656.2041 pour obtenir une nouvelle pièce.



DANGER



- Ne pas insérer d'outil ou objet dans la valve ou la soupape de sécurité. Celles-ci pourraient être endommagées et causer des fuites. Une fuite de propane peut causer une explosion, un feu, des blessures graves ou la mort.
- En cas de fuite, arrêter toute opération et appeler les pompiers.
- Si une fuite est incontrôlable, fermer la valve de la bouteille et contacter le revendeur ou les pompiers.



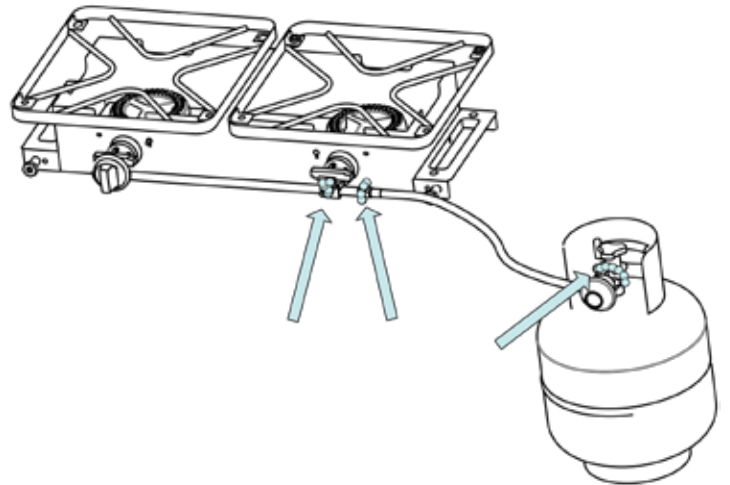
AVERTISSEMENT



- Ne jamais tenter de relier le barbecue à un système de gaz de mobile home ou caravane.
- Ne pas utiliser avant d'avoir contrôlé l'absence de fuite.

Test de recherche de fuite pour la valve, le tuyau et le régulateur

1. Tourner tous les boutons de contrôle sur OFF.
2. S'assurer que le régulateur est fermement connecté à la bouteille.
3. Ouvrir le robinet de protection triangulaire (OPD) entièrement en le tournant dans le sens inverse des aiguilles d'une montre. La présence d'un sifflement persistant est le signe d'une fuite majeure dans le système. Fermer le gaz immédiatement. Appeler le numéro suivant pour obtenir des pièces de remplacement : 1.801.656.2041.
4. Appliquer une solution savonneuse sur les éléments indiqués par les flèches dans le schéma ci-dessus.



5. Des bulles grossissantes sont le signe d'une fuite. Fermer la valve de la bouteille immédiatement et resserrer les connexions. Si la fuite ne s'arrête pas, ne pas tenter de la réparer. Contacter le numéro suivant pour obtenir des pièces de remplacement : 1.801.656.2041.
6. Toujours refermer la valve de la bouteille après avoir fini le test de fuite en tournant le robinet dans le sens des aiguilles d'une montre.

Déconnecter le régulateur de la bouteille

1. La bouteille doit être correctement fixé sur le Tailgater. (Voir la section « Assemblage ».)
2. Tourner tous les boutons de contrôle sur OFF.
3. Fermer le robinet de sécurité triangulaire (OPD) de la bouteille en le tournant dans le sens des aiguilles d'une montre.
4. Dévisser la molette de serrage afin de retirer le régulateur.

Conseils de sécurité

1. Vérifier le serrage de la molette du régulateur avant d'ouvrir la valve de la bouteille.
2. Tourner tous les boutons de contrôle sur OFF et fermer la valve de la bouteille lorsque le barbecue n'est pas utilisé.
3. Ne jamais déplacer le BLACKSTONE Tailgater Combo pendant l'utilisation ou si il est encore chaud.
4. Utiliser des ustensiles de cuisson et gants de protections adaptés afin d'éviter tout risque de brûlure et projection.
5. Maintenir l'appareil à une distance d'au moins 36 pouces des murs, véhicules ou autres structures pendant l'utilisation.
6. Nettoyer le BLACKSTONE Tailgater Combo fréquemment, de préférence après chaque utilisation. Si une brosse métallique est utilisée pour nettoyer les surfaces de cuisson, s'assurer que celles-ci sont exemptes de particules de métal avant d'utiliser l'appareil.
7. En cas de chute de graisse ou autre matière chaude sur la valve, le tuyau ou le régulateur, fermer l'arrivée de gaz. Identifier la cause et y remédier avant de poursuivre. Nettoyer les parties affectées, s'assurer qu'elles n'ont pas été endommagées. Effectuer un test de fuite avant de reprendre la cuisson.
8. Garder les ouïes de ventilations propres et exemptes de débris.

9. Il se peut que le régulateur émette un léger sifflement pendant l'utilisation. Cela n'affecte en rien la sécurité ou l'utilisation.
10. En cas de problème, consulter la section « Résolution des problèmes ».
11. En cas de givre sur le régulateur, fermer la valve de la bouteille. C'est le signe d'un problème avec la bouteille, ne pas l'utiliser et la rapporter.

| | | |
|--|----------------------|---|
|  | AVERTISSEMENT |  |
| Fermer les boutons et l'arrivée de gaz lorsque l'appareil est hors service. | | |
|  | ATTENTION |  |
| Si l'allumage ne se fait pas dans les 5 secondes, tourner les boutons de contrôle sur OFF, attendre 5 minutes et recommencer la procédure d'allumage. Si le brûleur n'est pas allumé et que la valve est ouverte, le gaz continue de s'échapper et peut s'allumer spontanément, provoquant des blessures. | | |

Allumage à l'aide d'une allumette

Ne pas se pencher au dessus du BLACKSTONE Tailgater Combo pendant l'allumage. S'assurer de l'absence de fuite autour du tuyau. S'assurer que la valve et le régulateur sont sur OFF. Ouvrir d'abord le régulateur pour allumer avec une allumette. Si l'appareil possède un capot, celui-ci doit être ouvert. Si l'appareil ne s'allume pas dans les 5 secondes, fermer les boutons de contrôle et attendre 5 minutes avant de recommencer.

1. Placer l'allumette sur le reposoir (suspendu sur le panneau latéral de la grille). Allumer l'allumette puis allumer le brûleur en plaçant l'allumette sur le côté droit ou gauche de la grille.
2. Appuyer et tourner simultanément le bouton de contrôle correspondant au côté où se situe

l'allumette. S'assurer que le bruleur s'allume et reste allumé.

Vérification des bruleurs

Après avoir allumé le bruleur, tourner le bouton vers « low ». La flamme devrait réduire et être plus faible que sur « high ». Vérifier la flamme sur le bruleur latéral. Toujours vérifier les flammes avant utilisation. En cas de flamme faible sur toutes les positions, voir le point « diminution soudaine ou flamme faible » dans la section « Résolution des problèmes ».

Eteindre le Tailgater

Tourner les boutons de contrôle en position OFF. Fermer la valve de la bouteille en tournant le robinet dans le sens des aiguilles d'une montre.

Vérification des valves

S'assurer que l'arrivée de gaz de la bouteille est fermée avant de vérifier les valves des boutons de contrôle. Les boutons doivent être en position OFF. Pousser les boutons puis les relâcher. Ils devraient rebondir en position initiale rapidement. Si les boutons ne rebondissent pas, changer les valves avant d'utiliser le Tailgater à nouveau. Tourner les boutons en position « low » puis à nouveau en position OFF. Ils devraient tourner facilement.

Vérification du tuyau

Vérifier et nettoyer le tuyau avant chaque utilisation. En cas d'usure, abrasion, coupure ou fuite, le tuyau doit être remplacé avant la prochaine utilisation. Remplacer par le même tuyau en suivant les références fournies dans la section « liste des pièces » de ce manuel.

Nettoyage du Tailgater

- Ne pas confondre accumulation de graisse (maron ou noire) et fumée de peinture. L'intérieur des barbecues à gaz ne sont pas peints et ne doivent pas l'être. Utiliser une solution d'eau et de détergeant ou un produit nettoyant pour four avec une brosse pour l'intérieur du capot et le fond du barbecue. Rincer et laisser sécher à l'air libre. Ne pas utiliser de produits agressifs pour fours sur les surfaces peintes.
- Pièces en plastique : nettoyer à l'eau chaude

savonneuse, sécher à l'aide d'un chiffon propre et sec. Ne pas utiliser de Citrisol, nettoyants abrasifs, dégraissants ou nettoyants pour fours sur les surfaces en plastique. Cela peut les endommager et les détruire.

- Surfaces peintes : nettoyer à l'aide d'un détergeant non abrasif ou à l'eau chaude savonneuse. Sécher à l'aide d'un chiffon doux, propre et sec.
 - Surfaces en acier inox : Afin de conserver l'aspect extérieur du Tailgater, nettoyer à l'aide d'un détergeant non abrasif ou à l'eau chaude savonneuse après chaque usage. Sécher à l'aide d'un chiffon doux, propre et sec.
 - Il peut être nécessaire d'utiliser une spatule en plastique pour retirer les dépôts de graisse cuits. Utiliser en mouvement parallèle à la finition brossée afin d'éviter de la détériorer. Ne pas utiliser de matériau abrasif sur les surfaces avec des motifs.
- Si une brosse métallique est utilisée pour nettoyer les surfaces de cuisson, s'assurer que celles-ci sont exemptes de particules de métal avant d'utiliser l'appareil.

Ranger le BLACKSTONE Tailgater Combo

- Stocker dans un endroit sec.
- Si la bouteille de gaz reste connectée, stocker en plein air dans un endroit bien ventilé et hors de portée des enfants.
- Couvrir le BLACKSTONE Tailgater Combo si celui-ci est stocké dehors. Blackstone propose de nombreux modèles de couvertures pour le BLACKSTONE Tailgater Combo.
- Ne stocker le BLACKSTONE Tailgater Combo à l'intérieur qu'après avoir fermé la bouteille de gaz puis retiré celle-ci. La bouteille doit être conservée à l'extérieur.
- Après une période de stockage, suivre les instructions de « nettoyage des bruleurs » avant de commencer à utiliser le barbecue.

Nettoyage des brûleurs

Suivre ces instructions pour nettoyer/remplacer les brûleurs ou en cas de difficultés à l'allumage du BLACKSTONE Tailgater Combo.

1. Fermer l'arrivée de gaz depuis les boutons de contrôle et la bouteille.
2. Retirer le capot. (Pièce n°1 sur la liste).
3. Retirer le bouclier anti chaleur, le couvercle en aluminium, la pierre et le panneau rotatif.
4. Détacher les électrodes du brûleur. Cette procédure dépend de la configuration du brûleur.
5. Soulever délicatement le brûleur vers le haut et le retirer de la sortie de la valve. Voici trois méthodes de nettoyage, utilisez la plus simple et la plus adaptée pour vous. (A) Plier un fil de fer (un cintre par exemple) en forme de crochet. Glisser le crochet à travers le tube plusieurs fois. (B) Utiliser un goupillon fin avec manche flexible. (Ne pas utiliser de brosse en cuivre). Glisser la brosse dans le tube plusieurs fois. (C) Porter des lunettes de protection : utiliser de l'air comprimé pour nettoyer les sorties du brûleur. S'assurer que l'air circule dans toutes les sorties.
6. Brosser toute la surface du brûleur afin de retirer saleté et résidus de nourriture.
7. Dégager les sorties bloquées à l'aide d'un fil de fer (un trombone par exemple).
8. Vérifier l'état général du brûleur. Au fil du temps, des trous de corrosion peuvent apparaître. Si ils deviennent trop importants, il est temps de changer le brûleur.
IMPORTANT: Les tubes du brûleur doivent être connectés avec les ouvertures des valves.
9. Connecter l'électrode au brûleur.
10. Replacer les brûleurs.
11. Attacher les brûleurs aux crochets sur le bac.
12. Repositionner les tubes et les attacher aux brûleurs.

Sécurité alimentaire

La sécurité alimentaire est un aspect important de la cuisine à l'extérieur. Ces quelques conseils permettront de conserver une nourriture saine et sans bactéries néfastes.

Propre : Se laver les mains ainsi que les ustensiles de cuisine à l'eau chaude savonneuse avant et après avoir manipulé de la viande et volaille crue.

Séparer : Garder la viande crue à l'écart du reste de la nourriture afin d'éviter toute contamination. Utiliser des ustensiles et assiettes propres après avoir cuit la nourriture.

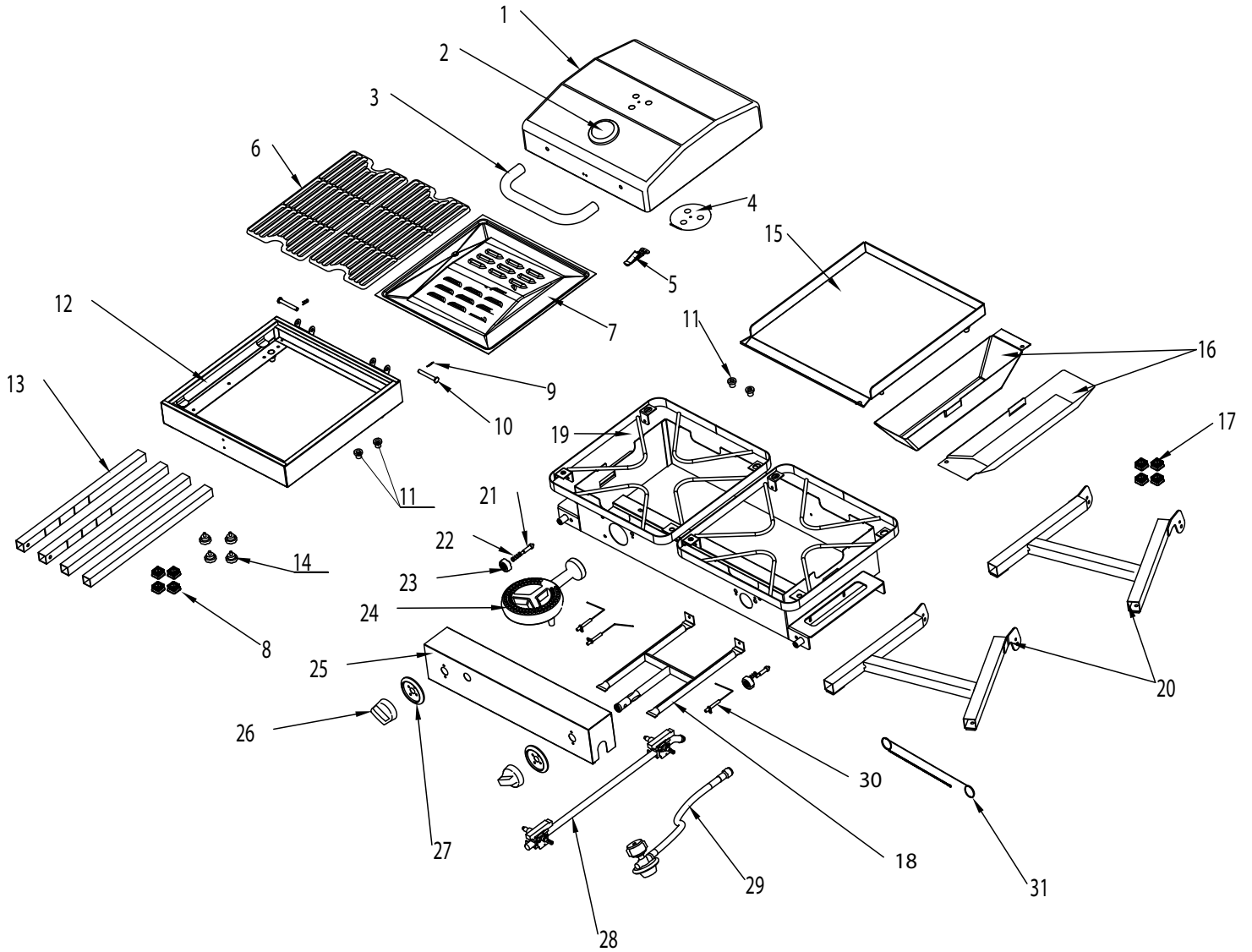
Cuire : Bien cuire les viandes et volailles afin de tuer les bactéries nocives. Contrôler la température de la viande à l'aide d'un thermomètre.

Refroidir : Réfrigérer la nourriture et les restes rapidement. Pour plus d'information visiter le site Canadien partenaire pour la sécurité alimentaire : www.be-foodsafe.ca.

La viande est-elle cuite correctement ?

- La surface des viandes et volailles grille et change rapidement de couleur. Un thermomètre permet de s'assurer que la viande a atteint une température interne de cuisson adéquate. Découper la viande permet d'établir une vérification visuelle.
- Un poulet entier doit atteindre une température interne de 165°F/74°C. Le jus doit couler rapidement et la chair ne pas être rose.
- Les hamburgers à base de volaille ou de viande hachée doivent atteindre 160°F/71°C, être foncé à cœur sans jus rose. Les steaks de veau, agneau et bœuf doivent atteindre une température de 160°F/71°C. Toutes les parties du porc doivent également atteindre 160°F/71°C.
- NE JAMAIS cuire la viande partiellement pour reprendre la cuisson plus tard. Cuire la viande entièrement pour détruire les bactéries nocives.
- Réchauffer de la nourriture à emporter ou de la viande précuite comme des hot dogs à une température de 165°F/64°C ou jusqu'à ce que la nourriture commence à fumer.

SCHEMA DES PIECES DETACHEES



LISTE DES PIÈCES

| Part ID | Name | Quantity |
|---------|--------------------------|----------|
| 1 | Couvercle du grill | 1 |
| 2 | Thermomètre | 1 |
| 3 | Poignée | 1 |
| 4 | Bouche d'aération | 1 |
| 5 | Fermeur | 1 |
| 6 | Grille du grill | 2 |
| 7 | Régulateur de flamme | 1 |
| 8 | Bouchon carré du tube | 4 |
| 9 | Épingle droite | 2 |
| 10 | Charnière | 2 |
| 11 | Pied ajustable | 4 |
| 12 | Boîtier du grill | 1 |
| 13 | Pied inférieur | 4 |
| 14 | Écrou à croisillon | 4 |
| 15 | Haut du grill | 1 |
| 16 | Bac collecteur d'huile | 2 |
| 17 | Bouchon carré du tube | 4 |
| 18 | Brûleur en H | 1 |
| 19 | Partie principale | 1 |
| 20 | Pieds supérieurs | 2 |
| 21 | Goupille d'arrêt | 2 |
| 22 | Ressort | 2 |
| 23 | Bouton de levier | 2 |
| 24 | Allumeur | 1 |
| 25 | Panneau de devant | 1 |
| 26 | Bouton de la température | 2 |
| 27 | Chatons en chrome | 2 |
| 28 | Montage de la valve | 1 |
| 29 | Régulateur | 1 |
| 30 | Aiguille de contact | 3 |
| 31 | Porte-allumettes | 1 |

AVERTISSEMENT : Cet appareil a été conçu avec le souci d'éliminer tout bord pointu ou tranchant. Cependant il convient de manipuler les pièces avec précaution afin de prévenir les risques de blessures. Outil nécessaire : le seul outil requis pour le montage du capot et des poignées de l'élément principal, est un tournevis cruciforme (Philips).

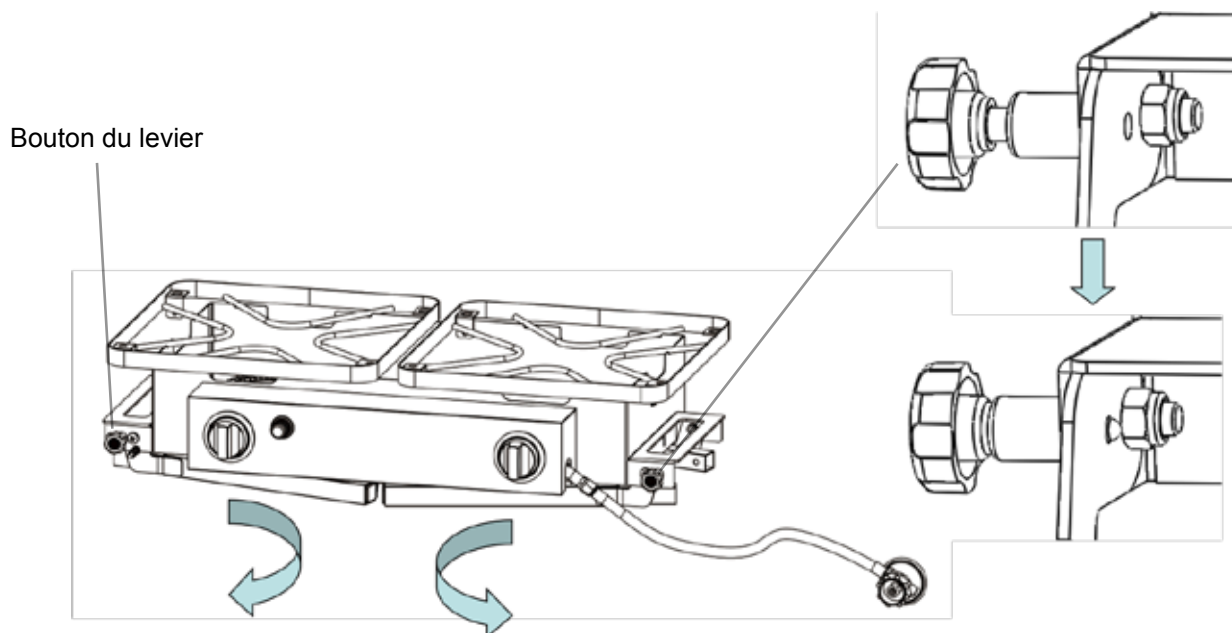
ASSEMBLAGE :

Bien lire les instructions en entier avant de procéder à l'assemblage. Travailler sur une grande surface propre. Se référer à la liste des pièces et les schémas autant de fois que nécessaire. Le BLACKSTONE Tailgater Combo comporte des pièces volumineuses, il est donc conseillé d'être deux afin de faciliter le montage.

A NOTER : *Retirer toutes les protections plastique avant de commencer.*

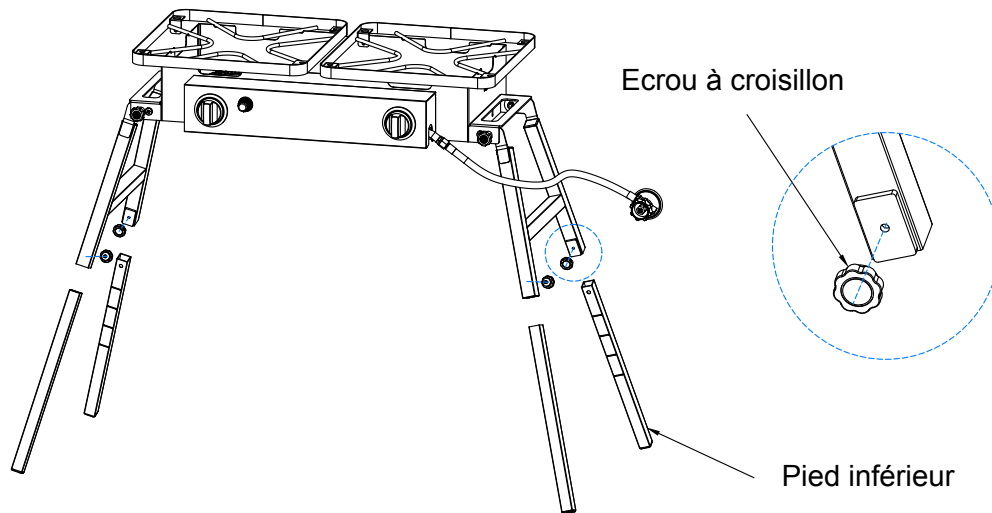
Etape 1

Retirer la carrosserie, sortir le bouton du levier et déplier les pieds.



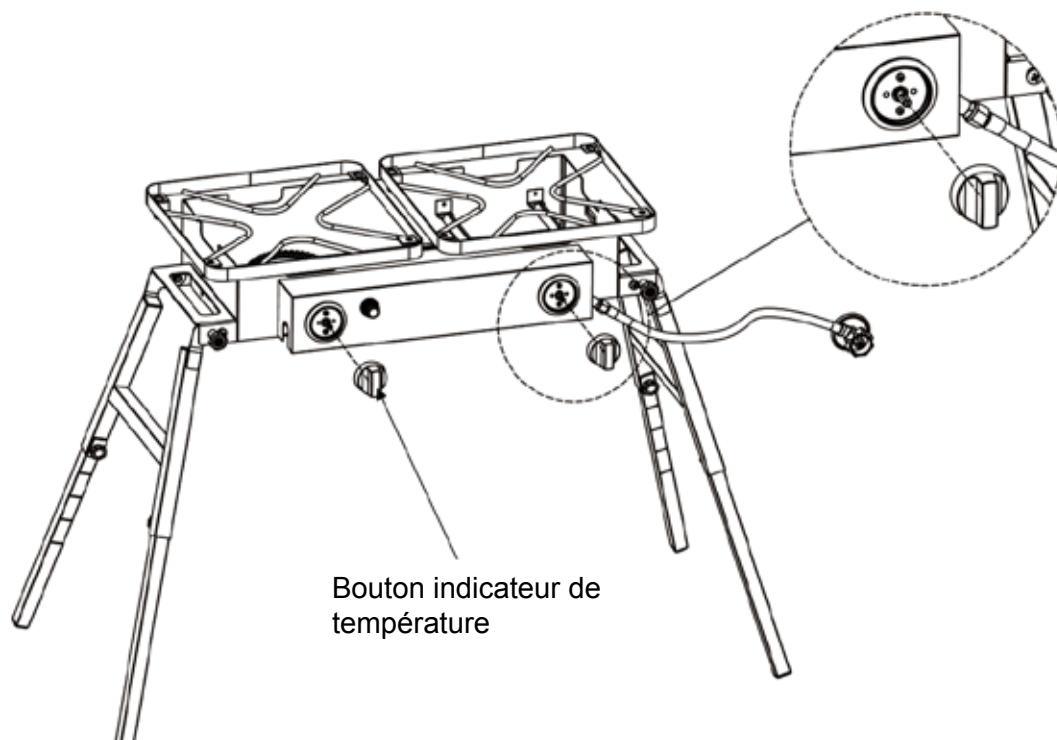
Etape 2 :

Insérer les pieds inférieurs dans les pieds supérieurs. Ajuster la hauteur au niveau des marques sur les pieds inférieurs puis resserrer les écrous quand le pied est ajusté à la hauteur que vous souhaitez.



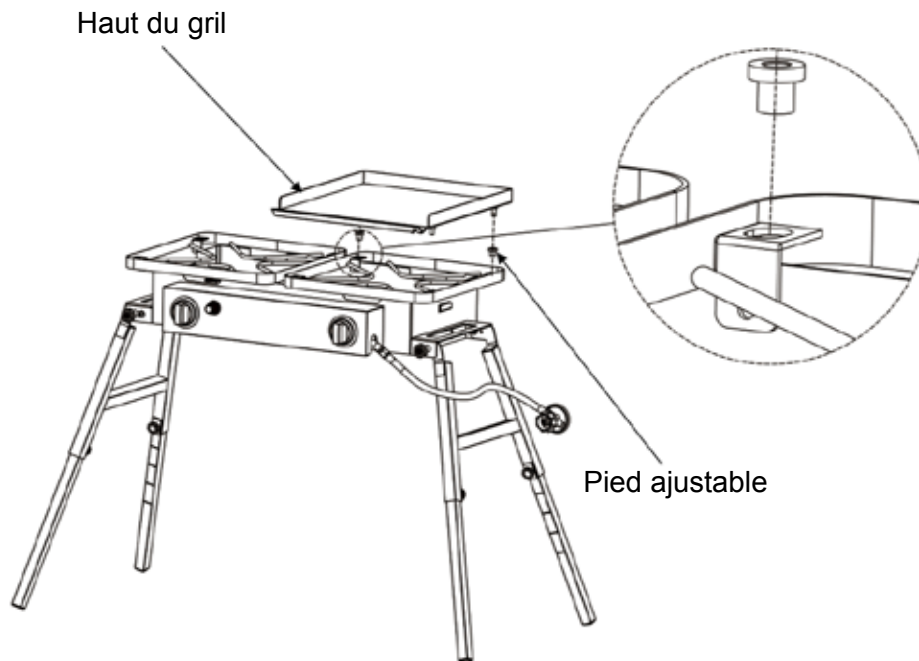
Etape 3 :

Enfoncer les boutons dans l'emplacement des contrôleurs de température.



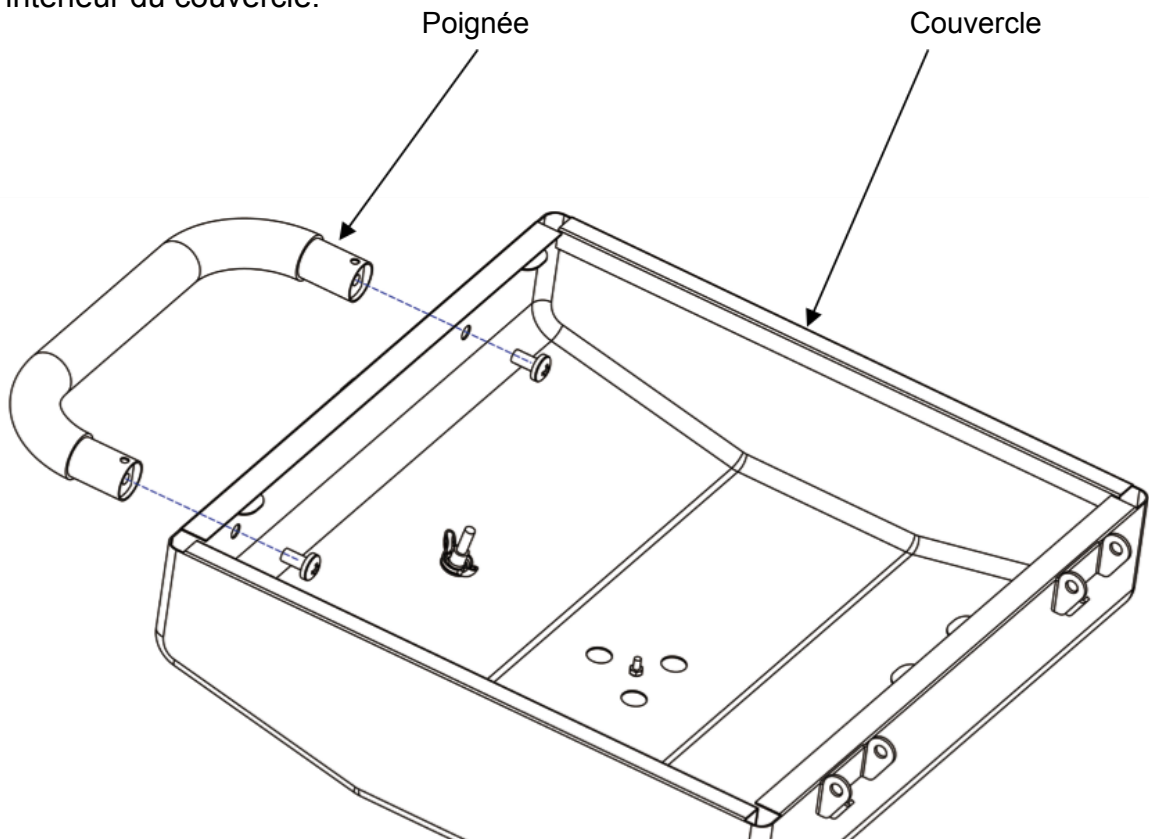
Etape 4:

Assembler le haut du grill. Aligner ses pieds dans la cavité du grill et placer les dedans. Les vis ajustables derrière le haut du grill permettent de niveller la surface de cuisson



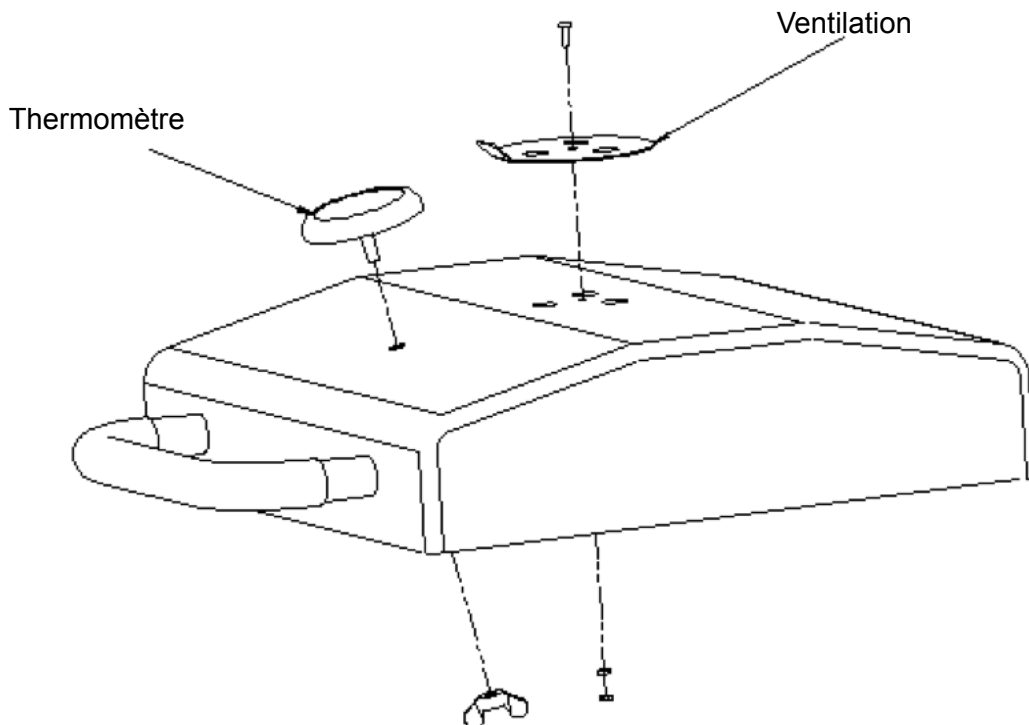
Etape 5:

Assembler le boîtier gauche du couvercle du grill. Avec un tournevis, attacher la poignée en utilisant la vis M8-19 à l'intérieur du couvercle.



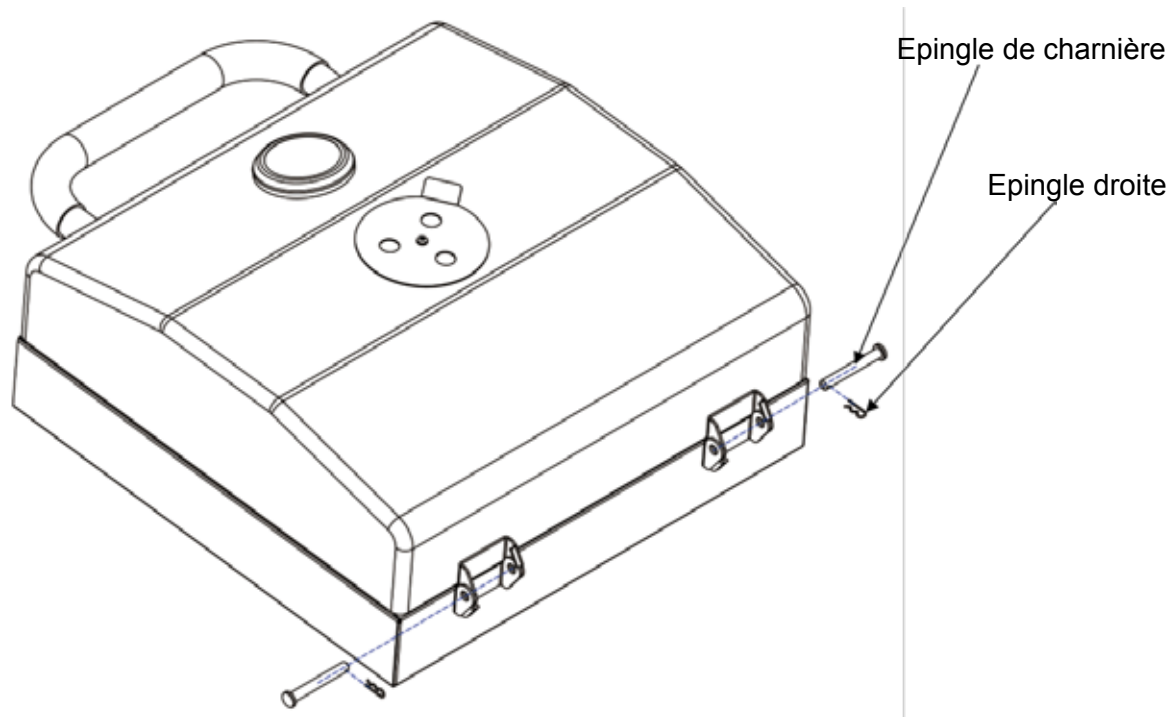
Etape 6:

Ajouter le thermomètre et la bouche d'aération au boîtier gauche du couvercle. Le thermomètre est fixé avec un écrou. La bouche d'aération est fixée en haut avec la petite vis M4-12 et à l'intérieur avec l'écrou fin M4.



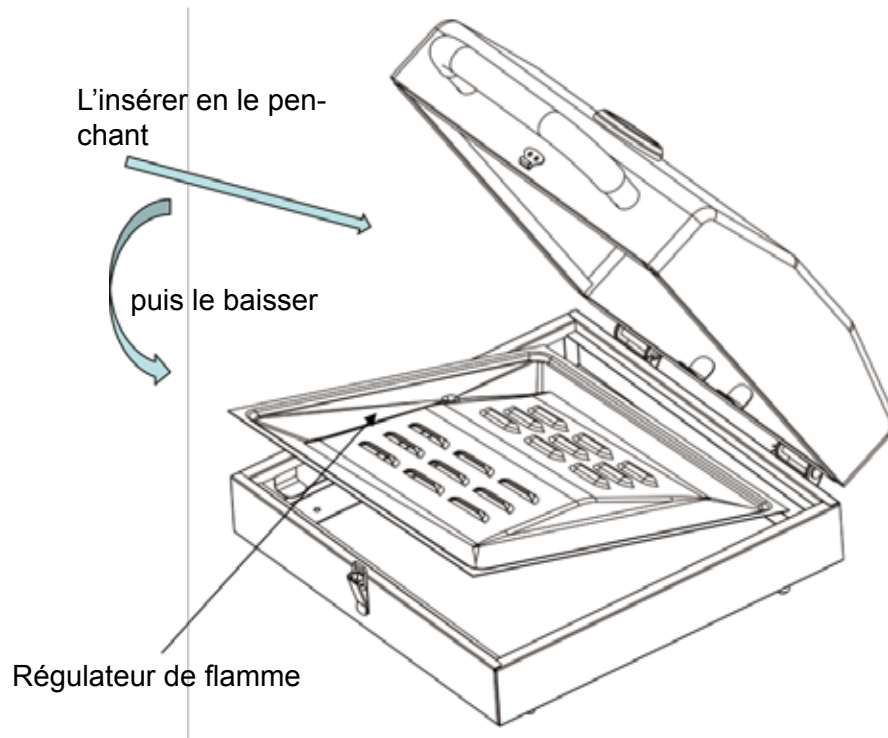
Etape 7:

Terminer l'assemblage du boîtier du grill en attachant le couvercle à la base grâce à l'alignement des charnières arrières. Pousser les épingles de charnière dans les oeillets et fixer les avec une épingle droite.



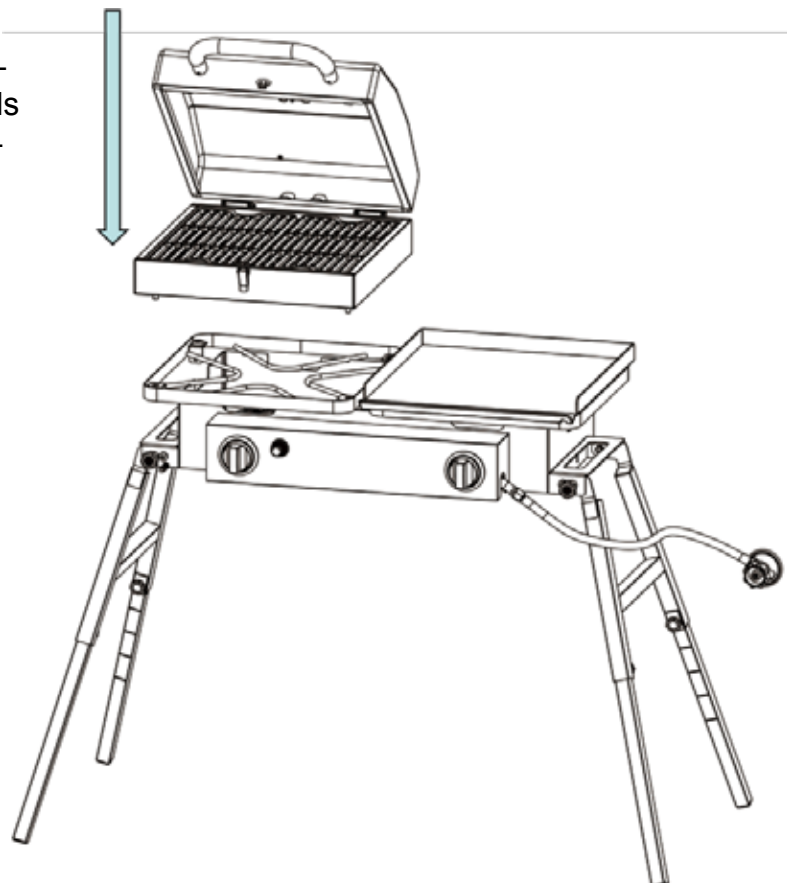
Etape 8:

Insérer le régulateur de flamme dans le boîtier du gril.



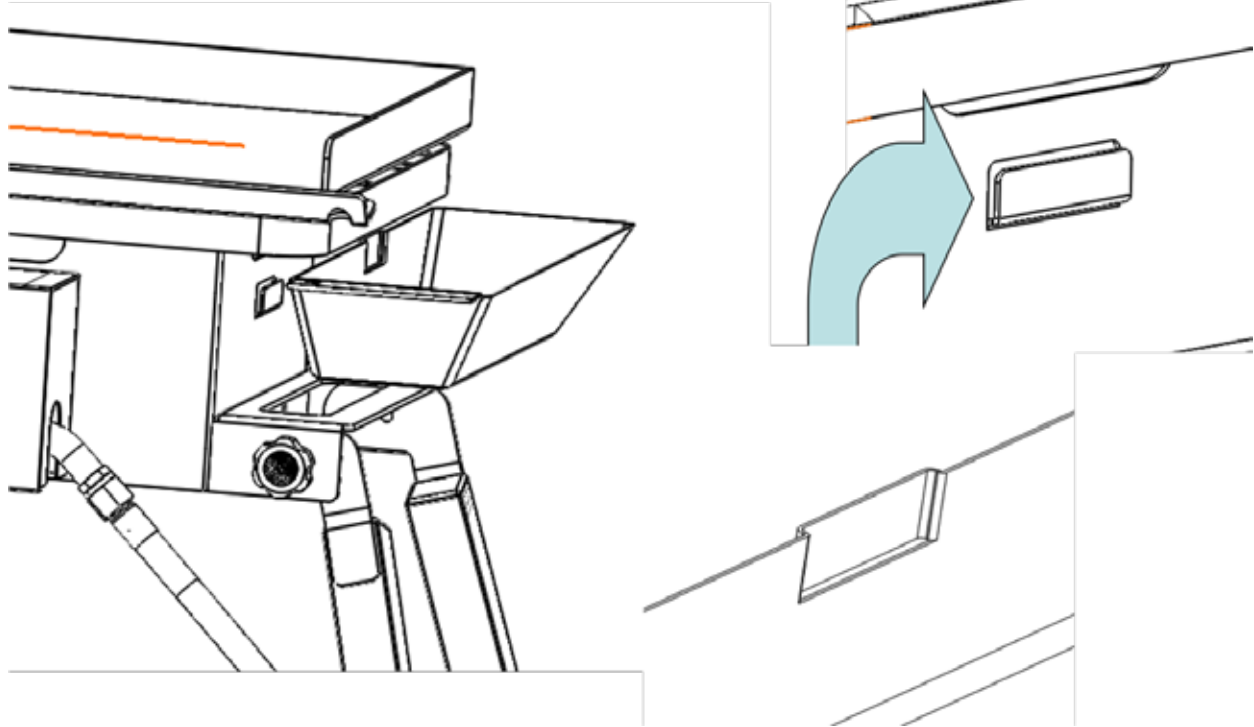
Etape 9:

Placer l'assemblage du boîtier sur la partie gauche du gril. Les positions des pieds du boîtier doivent s'aligner avec les positions des cavités sur le foyer du gril.



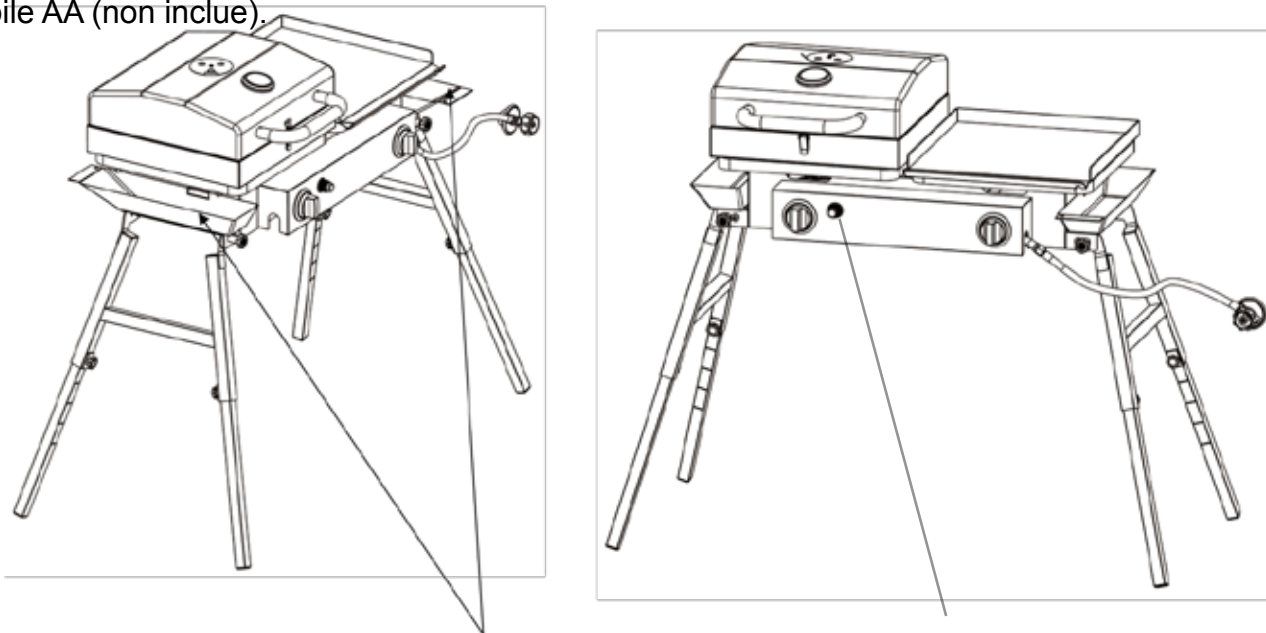
Etape 10:

Chaque gouttière est dotée d'une languette pour suspendre. Placer le crochet correspondant sur le côté droit du grill. Emboîter le récepteur d'huile sur le corps du grill et le placer sous le haut du grill pour empêcher le trop-plein d'huile.



Etape 11:

Positionner le deuxième récepteur d'huile à gauche. Dévisser le bouton de démarrage et insérer une pile AA (non incluse).

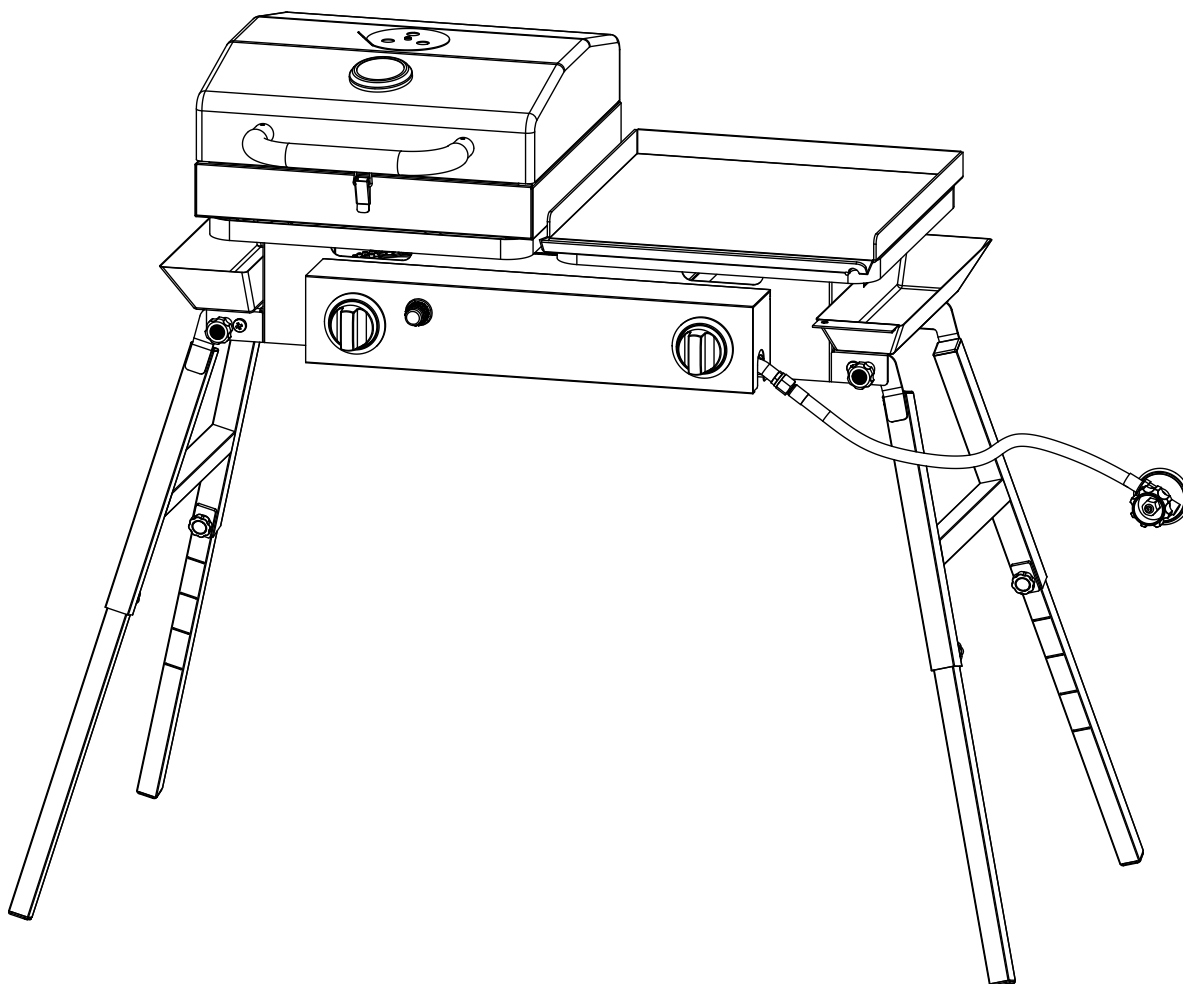


Deux récepteurs
d'huile positionnés de
chaque côté

Le bouton de démarrage électronique. Dé-
visser, insérer une pile AA, remettre le bouton

Profitez de votre nouveau Blackstone Tailgater

Votre nouveau Tailgater a été conçu pour être polyvalent. L'allumeur à gauche a été conçu pour une chaleur intense. Il est parfait pour cuisiner avec une marmite, batée, poêle à frire ou au grill inclus dans le boîtier. Le tube brûleur en acier inoxydable à droite du Tailgater est fait pour distribuer la chaleur dans une grande zone. Cela donne des idées pour cuisiner sur de larges surfaces, comme le grill supérieur inclus.



INSTRUCTIONS D'ALLUMAGE

Allumer le barbecue

Ne pas se pencher au dessus de l'appareil pendant la phase d'allumage. Lire les instructions avant de commencer la procédure.

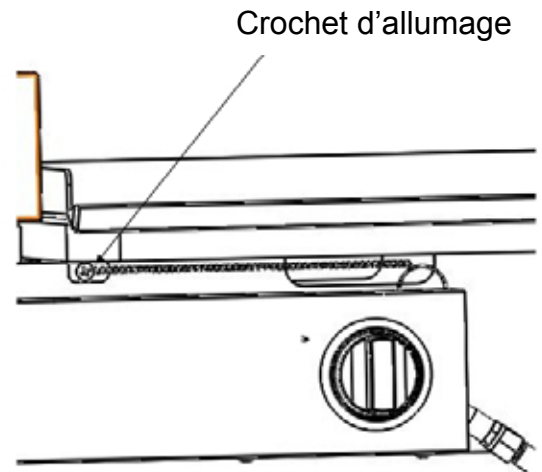
1. Tourner les boutons de contrôle en position OFF.
2. Ouvrir l'arrivée de gaz de la bouteille en tournant le robinet dans le sens inverse des aiguilles d'une montre.
3. Ouvrir le capot pendant l'allumage.
4. Pousser et tourner le bouton de contrôle dans le sens antihoraire jusqu'à la position haute.
5. Presser le bouton de démarrage pour enclencher le gaz. S'assurer qu'une pile AA, côté positif face à l'extérieur, est bien installée dans le bouton de démarrage.
6. Si le démarrage ne se lance pas dans 5 secondes, mettre le bouton du brûleur en position OFF, attendre 5 minutes et répéter la procédure d'allumage ou se référer aux instructions.
7. Répéter les instructions pour allumer l'autre brûleur.

Allumage avec allumette (le crochet est situé au dessus du bouton de contrôle de droite).

1. Tourner les boutons de contrôle en position OFF.
2. Ouvrir l'arrivée de gaz de la bouteille en tournant le robinet dans le sens inverse des aiguilles d'une montre.
3. Ouvrir le capot pendant l'allumage.
4. Placer une allumette à l'extrémité du crochet.
5. Allumer l'allumette.
6. Insérer l'allumette près du brûleur à travers l'espace prévu à cet effet.
7. Tourner le bouton de contrôle vers « + », le brûleur doit s'allumer immédiatement.

Si le brûleur ne s'allume pas dans les 5 secondes, tourner le bouton de contrôle sur OFF et attendre 5 minutes avant de recommencer la procédure.

Répéter les instructions pour allumer l'autre brûleur.



ENTRETIEN ET MAINTENANCE

Nettoyer le BLACKSTONE Tailgater Combo régulièrement, entre chaque utilisation ou après une période d'inutilisation prolongée. Attendre que les différentes parties du BLACKSTONE Tailgater Combo aient refroidi avant de les nettoyer.

- Ne jamais toucher les parties chaudes sans protection adaptée.
- En cas de stockage à l'extérieur, il est fortement recommandé de couvrir l'appareil, spécialement pendant les mois d'hiver. La durée de vie de l'appareil en dépend.

Entretien des brûleurs :

En général, brûler les résidus après la cuisson permet de garder les brûleurs propres. Ces derniers doivent être nettoyés une fois par an ou si des résidus se sont accumulés (insectes, saleté). Les brûleurs (sorties et ventilations) ne doivent pas être obstrués. Une brosse métallique peut être utilisée pour enlever la corrosion sur la surface des brûleurs. Bien s'assurer que les valves des brûleurs soient bien reconnectées avec les arrivées de gaz lors de leur remise en place.

Serrage et remisage :

Il est recommandé de vérifier le serrage des différentes parties de l'appareil une fois par an. Stocker le BLACKSTONE Tailgater Combo dans un endroit frais et sec. Couvrir les brûleurs de papier d'aluminium afin d'empêcher accumulations d'insectes et de résidus. En cas de stockage à l'intérieur, retirer la bouteille de gaz et conserver celle-ci à l'extérieur. La bouteille de gaz doit toujours être conservée à l'extérieur, hors de portée des enfants, dans un endroit frais, sec, à l'abri de sources de chaleur et d'étincelles.

RESOLUTION DES PROBLEMES

| PROBLEME | CAUSES POSSIBLES | SOLUTION |
|---|---|---|
| Le brûleur ne s'allume pas en suivant la procédure standard. | <ol style="list-style-type: none">1. La bouteille de gaz est vide2. Le régulateur est défectueux.3. Le brûleur est bouché4. L'arrivée de gaz est bouchée. (Tuyau ou connexions aux brûleurs).5. L'électrode ou le circuit d'allumage sont endommagés ou défectueux. | <ol style="list-style-type: none">1. Remplacer la bouteille de gaz.2. Faire vérifier ou remplacer le régulateur.3. Nettoyer le brûleur.4. Nettoyer le tuyau et les connexions avec le brûleur.5. Changer l'électrode et le circuit d'allumage.. |
| Le brûleur ne s'allume pas à l'aide d'une allumette. | <ol style="list-style-type: none">1. La bouteille de gaz est vide.2. Le régulateur est défectueux.3. Le brûleur est bouché.4. L'arrivée de gaz est bouchée. (Tuyau ou connexions aux brûleurs). | <ol style="list-style-type: none">1. Remplacer la bouteille de gaz.2. Faire vérifier ou remplacer le régulateur.3. Nettoyer le brûleur.4. Nettoyer le tuyau et les connexions avec le brûleur. |
| L'intensité de la flamme est faible ou s'éteint. (Un sifflement ou ronflement peut être entendu.) | <ol style="list-style-type: none">1. La bouteille de gaz est vide.2. Le brûleur est bouché.3. L'arrivée de gaz est bouchée. (Tuyau ou connexions aux brûleurs).4. Trop de vent. | <ol style="list-style-type: none">1. Utiliser une bouteille de gaz plus grosse.2. Nettoyer le brûleur.3. Nettoyer le tuyau et les connexions avec le brûleur.4. Utiliser le barbecue dans un endroit plus abrité. |

North Atlantic Imports LLC, Garantie limitée 90 jours

North Atlantic Imports LLC garantie les pièces, main d'œuvre et finitions (contre la rouille) pendant 90 jours à partir de la date d'achat.

Le constructeur se réserve le droit de remplacer ou réparer les pièces en cas de prise en charge.

La garantie est limitée au premier propriétaire uniquement. Cette garantie n'engage pas la responsabilité de North Atlantic Imports LLC, ses employés ou agents pour des dommages extérieurs en cas de rupture de garantie.

L'utilisateur est tenu de respecter les instructions du constructeur.

En aucun cas le constructeur ne sera tenu responsable pour des dommages suite à une mauvaise utilisation du BLACKSTONE Tailgater Combo.

L'utilisateur est responsable de la durée de la garantie en utilisant la preuve d'achat originale de l'appareil.

Lire la section suivante pour de plus amples informations au sujet de la garantie :

La société North Atlantic Imports LLC garantie cet appareil contre tout défaut d'assemblage, de construction et lié à la main d'œuvre si et seulement si, son utilisation, non commerciale et privée, est effectuée en respectant scrupuleusement les instructions fournies par le constructeur. Cette garantie établit la responsabilité de North Atlantic Imports LLC de réparer ou échanger sans frais pour le consommateur, toute pièce qui, après examen de North Atlantic Imports LLC, serait défectueuse, dans le cadre d'une utilisation personnelle normale et dans la limite de temps suivante : a) 90 jours à compter de la date d'achat pour les pièces, finitions et main d'œuvre. Dans le cas d'un manquement à la durée de garantie ci-dessus, l'acheteur original est tenu de notifier North Atlantic Imports LLC de la rupture de garantie dans la limite du délai de garantie. Après réception de la notification de l'acheteur original, North Atlantic Imports LLC s'engage à rectifier la situation en remplaçant ou en réparant les pièces défectueuses. North Atlantic Imports LLC s'engage à respecter scrupuleusement la procédure énoncée ci-dessus dans un objectif de maintien de la qualité du produit.

North Atlantic Imports LLC ne garantit pas que cet appareil réponde au code de sécurité de quelque état, municipalité ou juridiction. L'utilisateur accepte tout risque et responsabilité liés à l'utilisation, en accord ou pas avec les instructions du constructeur, de l'appareil. Cette garantie ne couvre pas et exclut toute responsabilité de North Atlantic Imports LLC, de ses représentants, employés et agents, mentionnés dans cette garantie ou légalement liés, quant aux dommages résultants d'une rupture de la garantie. L'acheteur doit se tenir informé de la durée de garantie grâce à la date d'achat figurant sur la preuve d'achat (ticket de caisse). Cette garantie ne s'applique pas au produit, ou à toute pièce du produit en cas d'accident résultant de négligence, altération, abus, mauvaise utilisation ou transformation de l'appareil ou d'une de ses pièces, dans le cas d'une réparation sans l'accord préalable de North Atlantic Imports LLC ou en dehors de l'usine North Atlantic Imports LLC. La garantie ne couvre en aucun cas les accessoires non fournis avec l'appareil. Cette garantie s'applique dans la limite du territoire des Etats Unis d'Amérique. Cette garantie octroie certains droits à l'utilisateur, d'autres droits peuvent exister en fonction des états.

Notre équipe est là pour vous aider

En cas de questions au sujet de votre BLACKSTONE Tailgater Combo ou en cas de besoin de pièces de rechange, vous pouvez nous contacter au :

Pour les Etats Unis : 435.252.3030 | Pour le Canada : 1.801.656.2041

OU

support@blackstoneproducts.com

C'est un plaisir de répondre à vos questions concernant les pièces de rechange ou votre garantie. Notre équipe après vente est accessible du lundi au vendredi de 8 heures à 17 heures (UTC/GMT -7). Si tous les opérateurs sont occupés ou en dehors des heures d'opération, vous pouvez laisser un message et nous vous recontacterons.

BLACKSTONE®

MODELO #1555

MANUAL DEL USUARIO

Tailgater Combo





PARA USO AL AIRE LIBRE SOLAMENTE



Por favor lea las instrucciones con cuidado antes de ensamblar
Guarde este manual para referencia en el futuro

Este manual de instrucciones contiene información importante y necesaria para el apropiado ensamblado y uso seguro de este aparato. Siga todas las advertencias e instrucciones cuando ensamble y use el aparato. **Si no se siguen estas instrucciones puede resultar en fuego o explosión lo cual puede causar daño a propiedad, daños corporales, o muerte.**

| | |
|---|---|
| <p> PELIGRO</p> <p>Si usted huele gas:</p> <ol style="list-style-type: none">1. Abra la tapadera.2. Apague el gas conectado al aparato.3. Apague cualquier llama abierta.4. Si el olor continúa, manténgase alejado de el aparato e inmediatamente llame a su proveedor de gas ó su departamento de bomberos. | <p> ADVERTENCIA</p> <ol style="list-style-type: none">1. No guardar o usar gasolina u otro líquido o vapor inflamable en las cercanías de este u otro aparato.2. Un tanque de gas propano desconectado no debe guardarse en la cercanía de este u otro aparato. |
|---|---|

ADVERTENCIA:

Antes de proceder, asegúrese de entender la sección de INFORMACION IMPORTANTE de este manual. Este manual contienen información necesaria para el ensamblaje apropiado y uso seguro de el aparato. Lea y siga todas las advertencias e instrucciones antes de ensamblar y usar este aparato.

Fuego o explosiones peligrosas puede resultar si se ignoran las instrucciones..

Es la responsabilidad el consumidor de velar que el BLACKSTONE Tailgater Combo este apropiadamente ensamblado, instalado y mantenido. Si no se siguen las instrucciones en este manual puede resultar en daños corporales y/o daños a propiedad.

POR SU SEGURIDAD SI USTED HUELE GAS:

1. Apague el tanque de suministro de gas.
2. Apague cualquier llama abierta; no opere ningún aparato eléctrico.
3. Ventile el área.
4. Revise si hay fugas como es detallado en este manual.

PRECAUCIONES:

1. Haga prueba de fuga a todas las conexiones cada vez que cambie de tanque.
2. Nunca revise fugas con un fósforo o llama abierta.
3. No guarde gasolina u otro vapor o líquido inflamable en las cercanías de este u otro aparato.

4. Un tanque de gas propano desconectado no debe guardarse en la cercanía de este u otro aparato.
5. No guarde cilindros de gas propano extras debajo o cerca de este aparato.
6. Nunca llene el cilindro de gas a más de 80 por ciento.
7. Si la información en las dos declaraciones anteriores no es seguida exactamente, puede ocurrir un fuego que cause lesiones serias o incluso muerte.
8. No opere el BLACKSTONE Tailgater Combo a una distancia de menos de 36 pulgadas de cualquier construcción combustible, incluyendo paredes y techos. No se utilice en interiores.
9. No utilice este aparato debajo de superficies combustibles aéreas.
10. El regulador usado en esta unidad es ZHENDAR T3. Si este regulador falla, debe ser reemplazado con el modelo exacto y deberá de hacerlo un distribuidor autorizado, con licencia profesional.
11. Haga una inspección visual de la ruta de gas, desde la conexión del tanque a través de los orificios del elemento por algo quebrado, fugas, grietas o intrusiones. Comience en la conexión del tanque y continúe hacia la conexión con tuberías de metal detrás de la cubierta del selector de temperatura. Visualmente inspeccione el mecanismo de la perilla por defectos similares. Siga la tubería de metal detrás de los selectores de temperatura hacia los elementos. Busque anomalías o grietas en el elemento u orificios en el centro de la caja de la parrilla. Por favor contacte al servicio al cliente con cualquier pregunta o preocupación.



ADVERTENCIA



- Este aparato debe ser usado solamente al aire libre, y no debe ser usado dentro de un edificio, garaje o cualquier área cerrada
- Este aparato no debe ser instalado en o dentro de vehículos recreativos.
- Mantenga la manguera de suministro de gasolina alejada de cualquier fuente de calor.
- El uso de alcohol, medicinas prescritas o no prescritas puede perjudicar la habilidad del consumidor para ensamblar apropiadamente o usar con seguridad este aparato.
- En el evento que se cause un fuego de aceite o grasa no intente apagarlo con agua: Inmediatamente llame al departamento de bomberos. Un extintor tipo A, BC o ABC puede, en algunas circunstancias contener el fuego.
- No deje desatendido el aparato. Mantenga niños y mascotas lejos de el aparato en todo momento.
- Este aparato no pretende servir ni debe ser usado como un calentador.
- Este aparato se calentará durante y después de usarlo. Use guantes de cocina insulados o guantes para protección de superficies calientes o salpicaduras de líquidos de cocción.

Instalación y Precauciones de Seguridad



PELIGRO



Si usted huele gas:

1. Apague el gas que va hacia el aparato.
2. Apague cualquier llama abierta.
3. Si el olor continúa, aléjese de el aparato e inmediatamente llame a su proveedor de gas o al departamento de bomberos.



ADVERTENCIA



1. No guardar o usar gasolina u otro líquido o vapor inflamable en las cercanías de este u otro aparato.
2. Un tanque de gas propano no conectado para uso no debe guardarse en la cercanía de este u otro aparato.

Llame al departamento de Información de Parrillas BLACKSTONE para solicitar Partes y Ayuda

¿Le faltan piezas? ¿Preguntas de ensamblado?
¿Problemas de operación? Antes de regresar el
BLACKSTONE Tailgater Combo a la tienda llame:

EU (435) 252-3030 | Canada 1.801.656.2041

o un e-mail a support@blackstoneproducts.com

Número de Modelo _____

Número de Serie _____

Fecha Comprado _____

Al Instalador/Ensamblador: Deje estas instrucciones con el consumidor.

A el Consumidor: Mantenga este manual para referencia en el futuro.



PRECAUCION



Algunas partes pueden tener bordes afilados, especialmente las indicadas en estas instrucciones. Use guantes protectores si es necesario.



PRECAUCION



Para uso residencial al aire libre solamente. No se utilice para cocina comercial.

- Use el BLACKSTONE Tailgater Combo, como comprado, solo con con tanques de gas (propano) y el ensamblaje de regulador/válvula suministrado.
- La Instalación del BLACKSTONE Tailgater Combo debe conformarse con códigos locales, o en la ausencia de los mismos, con el Código Nacional de Gas, ANSI Z223.1/ NFPA 54, Código Nacional de Gas Natural e Instalación de Propano, CSA B149.1, o Código de Manejo Adecuado y Almacenamiento, B149.2, o el Estándar para Vehículos Recreativos, ANSI A 119.2/ NFPA 1192, y CSA Z240 RV Serie, Código de Vehículos Recreativos, como sea aplicable.
- BLACKSTONE Tailgater Combo no se debe usar para o dentro de vehículos recreativos y/o barcos.
- Este BLACKSTONE Tailgater Combo tiene certificado de seguridad para uso en los Estados Unidos y/o Canadá solamente. No modifique o use en cualquier otro lugar. Modificarlo resultará en un peligro de seguridad.
- El ensamblaje de regulador de presión y manguera suplido con este aparato debe ser usado. Reemplazos de regulador de presión y ensamblaje de mangueras deben ser los especificados por el fabricante.
- Ponga la tapa de polvo en la válvula de salida del cilindro cuando el cilindro no este en uso. Solamente instale el tipo de tapa de polvo el la válvula de salida del cilindro que es proporcionada con la válvula del cilindro. Otro tipo de tapas o conectores pueden resultar en fuga de propano,
- Este aparato solo se debe usar en exteriores, y no debe ser usado dentro de edificios, garajes o otro tipo de área cerrada.
- Este aparato no está diseñado para ser instalado en vehículos recreacionales.
- Mantenga la manguera de suministro de combustible alejada de cualquier superficie caliente.
- El uso de alcohol, medicinas prescritas o no prescritas puede perjudicar la habilidad del consumidor para ensamblar apropiadamente o usar con seguridad este aparato.
- En el evento que se cause un fuego de aceite o grasa no intente apagarlo con agua: Inmediatamente llame al departamento de bomberos. Un extinguidor tipo A, BC o ABC puede, en algunas circunstancias contener el fuego.

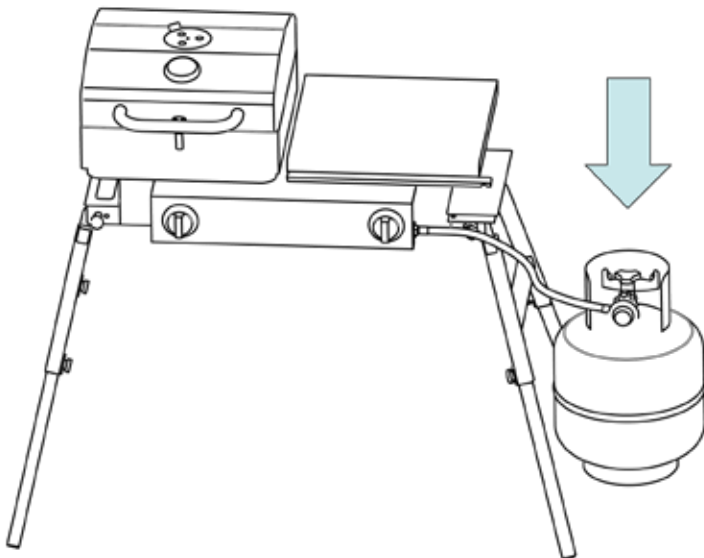
- No deje desatendido el aparato. Mantenga niños y mascotas lejos de el aparato en todo momento
- Este aparato no esta diseñado para servir ni debe ser usado como un calentador.
- Este aparato se calentará durante y después de usarlo. Use guantes de cocina insulados o guantes para protección de superficies calientes o salpicaduras de líquidos de cocción.

Mantenimiento de Seguridad

- Mantenga el área del aparato despejada y libre de materiales combustibles, gasolina y otros vapores y líquidos inflamables.
- No obstruya el flujo de combustión y del flujo de aire de ventilación.
- Mantenga los orificios de ventilación de la armazón del cilindro sin residuos de.
- Visualmente revise las llamas del quemador..
- Limpie el aparato, incluyendo superficies especiales, con limpiadores recomendados, si es necesario.
- Revise y limpie quemador/tubo de venturi por insectos o nidos de insectos. Un tubo tapado puede causar un incendio debajo del aparato.

Colocación del Tanque

El Tanque de gas se conecta al Tailgater en el lado derecho y debe posicionarse entre las patas de soporte del lado derecho.



Símbolos de Seguridad

Los símbolos y cajas que se presentan a continuación explican lo que cada título significa. Lea y siga todos los mensajes encontrados en todo el manual.

| | | |
|---|---------|---|
| ! | PELIGRO | ! |
| <p>PELIGRO: Indica una situación de peligro inminente, si no es evitada, puede resultar en muerte o lesiones graves.</p> | | |

| | | |
|--|-------------|---|
| ! | ADVERTENCIA | ! |
| <p>ADVERTENCIA: Está alerta por la posibilidad de lesión corporal grave si las instrucciones no son seguidas. Está seguro de leer cuidadosamente y seguir todos los mensajes.</p> | | |

| | | |
|--|------------|---|
| ! | PRECAUCION | ! |
| <p>PRECAUCION: Indica una situación potencial de peligro inminente que, si no es evitada, puede resultar en lesiones leves o moderadas.</p> | | |

| | | |
|--|--|---|
| ! | ADVERTENCIA PROPOSICION DE CALIFORNIA 65 | ! |
| <p>WARNING: Este producto contiene químicos conocidos en el Estado de California como causantes de cáncer y defectos de nacimiento o daños reproductivos. (La ley de California requiere que esta advertencia sea presentada a clientes en el Estado de California). Para mas información: www.watts.com/prop65</p> | | |

| | |
|----------------------------------|-------|
| Para Su Seguridad..... | 54-57 |
| Indice | |
| Garantía de la Parrilla..... | 58 |
| Uso y Cuidado..... | 59-64 |
| Lista de Partes Ilustrada..... | 65-66 |
| Ensamblado..... | 67-73 |
| Instrucciones de Encendido | 74 |
| Cuidado y Mantenimiento..... | 75 |
| Garantía Limitada..... | 76 |
| Servicio al Cliente..... | 77 |

Garantía total de 90 días en partes de BLACKSTONE Tailgater Combo

Si este BLACKSTONE Tailgater Combo falla debido a defectos en materiales o fabricación en el período de 90 días a la fecha de compra, llamar al **(435) 252-3030** para ordenar partes de reemplazo.

Por favor guarde una copia de su comprobante de compra para validar su garantía. Puede que se le solicite enviar una copia de su recibo para confirmar cualquier pedido sobre garantía.

Cinco - Años después de servicio

Durante cinco años a partir de la fecha de compra, usted puede llamar al **(435) 252-3030** para ayuda de forma gratuita, con preguntas sobre el ensamblaje o el funcionamiento.

Después de 90 días a partir de la fecha de compra, o si no se puede proporcionar una prueba de compra válida, puede adquirir piezas de repuesto llamando al **(435) 252-3030**. (Precio de compra con gastos de envío por parte deben pagarse por el cliente.)

Toda cobertura de garantía excluye baterías del encendedor y pérdida de pintura del BLACKSTONE Tailgater Combo, decoloración u óxido en la superficie, que son partes reemplazables que se pueden gastar por uso normal dentro del periodo de garantía, o son condiciones que pueden resultar del uso normal, accidente o mantenimiento inapropiado.

Toda cobertura de garantía es nula si este BLACKSTONE Tailgater Combo es usado para propósitos comerciales o de alquiler.



PELIGRO



- NUNCA guarde cilindros de gas propano extras debajo o cerca de este aparato.
- Nunca llene el cilindro de gas a más de 80%.
- Si la información en las dos declaraciones anteriores no es seguida exactamente, puede ocurrir un fuego que cause lesiones serias o incluso muerte.
- Un cilindro sobrecargado o llenado erróneamente es un peligro debido a la posible liberación de gas de la válvula de seguridad. Esto puede causar un fuego intenso con riesgo de daños a propiedad, heridas graves o muerte.
- Si vé, huele o escucha un escape de gas, inmediatamente aléjese del cilindro de gas y aparato y llame a su departamento de Bomberos.

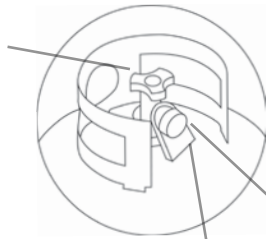
Quitar el tanque de gas, Transportarlo y Almacenarlo

- Apague todas las perillas de control y la válvula del tanque de gas. Gire la tuerca de unión hacia la izquierda - no utilice herramientas para desconectar. Levante el alambre del tanque de gas hacia arriba y fuera del collar del tanque de gas, después levante el tanque de gas, instale la tapa de seguridad en la válvula del tanque de gas. Siempre utilice la tapa y correa suministrada con la válvula.

Si no se usa la tapa de seguridad como es indicado puede resultar en lesiones graves y/o daños a propiedad.

- Un tanque de gas desconectado almacenado o siendo transportado debe tener la tapa de seguridad instalada (como se muestra). No almacene el tanque

Válvula del tanque LP



Correa de sujeción

Tapa de seguridad

de gas en espacios cerrados como la cochera, garaje, pórtico, patio cubierto u otro edificio. Nunca deje un tanque de gas dentro de un vehículo que se pueda sobrecalentar con el sol.

- No almacene el tanque de gas en un área donde niños jueguen.

Tanque de Gas

El Tanque de gas usado con su parrilla debe llenar los siguientes requisitos:

Tanques de gas deben ser construidos y marcados de acuerdo con las especificaciones para Tanques de Gas del Departamento de Transporte de E.U. (DOT) o para Canada, CAN/

CSA-B339 (dimensiones del Tanque de Gas: 12.3 pulgada de ancho x 18 pulgadas de alto), esferas y tubos para transportar mercancías peligrosas. Transporte de Canada (TC). Vea que el collar del tanque de gas tenga las siguientes marcas:

- Salida de tipo 1, compatible con el regulador o parrilla.
- Válvula de seguridad.
- Dispositivo UL de protección de sobrellenado (OPD). Esta característica de seguridad OPD se identifica por un volante triangular único. Use solo tanques de propano equipados con este tipo de válvula.



Tapa de seguridad

El tanque de gas debe tener un dispositivo de extracción de vapor y un collarín para proteger su válvula, siempre mantenga los tanques de gas en posición vertical durante su uso, transporte o almacenamiento.



Tanque de propano en posición vertical para extracción de vapor.

PL (Gas de Petróleo Líquido)

- El gas PL no es tóxico, es inoloro e incoloro cuando es producido.
- Para su seguridad, a el gas PL le han dado un olor (similar a repollo podrido) para que se pueda oler.
- El gas PL es altamente inflamable y puede encenderse inesperadamente al mezclarse con aire.

Llenar el tanque de gas PL

- Utilice sólo los distribuidores autorizados y con experiencia.
- El vendedor de gas debe purgar el tanque nuevo antes de cargarlo.
- El vendedor no debe cargar NUNCA el tanque de gas a más del 80% del volumen del tanque. El volumen de propano en el tanque puede variar con la temperatura.
- Un regulador empañado indica el tanque está sobrecargado. Cierre inmediatamente la válvula del tanque y solicite ayuda del vendedor de gas propano.
- No suelte el gas propano líquido (LP) en el ambiente. Esta es una práctica peligrosa.
- Para vaciar el gas de tanque, contacte a un vendedor de propano o a los bomberos, para recibir asistencia. Busque en el directorio telefónico "Compañías de Gas" para los vendedores autorizados de propano.

Intercambio de Tanque de Gas

• Muchos vendedores que venden parrillas ofrecen la opción de reemplazar su tanque vacío de gas a través de un servicio de intercambio. Use solo los servicios de buena reputación que inspeccionan, llenan con precisión, prueban y certifican sus tanques. Intercambie su tanque solo por otro tanque que tenga un dispositivo de seguridad OPD como es descrito en la sección "Tanque de Gas" en este manual.

• Siempre mantenga los tanques nuevos y de repuesto en posición vertical durante su uso, su transporte o almacenamiento.

• Haga pruebas de fuga en tanques nuevos o intercambiados ANTES de conectarlos a la parrilla.

• Coloque la tapa de polvo en la salida de la válvula del cilindro cuando el cilindro no esté en uso. Sólo instale el tipo de tapa contra el polvo en la salida de la válvula de cilindro que se proporciona con la válvula del cilindro. Otros tipos de tapas o taponos pueden dejar escapar el gas propano.

Prueba de Fuga de Tanque de Gas por su seguridad

- La prueba de fuga debe repetirse cada vez que el tanque de gas sea cambiado o recargado.
- No fume durante la prueba de fuga.
- No utilice una llama abierta para comprobar si existen fugas de gas.
- El Tailgater debe estar al aire libre en un área ventilada para una prueba de fuga de gas, lejos de fuentes de ignición tales como aparatos de gas o eléctricos. Durante la prueba de fuga, mantenga el Tailgater lejos de llamas abiertas o chispas.
- Use una brocha de pintura limpia y una mezcla de 50/50 de jabón suave y agua. Aplique la solución jabonosa sobre las áreas indicadas por las flechas en la figura de abajo. Las fugas se indican por las burbujas que crecen.



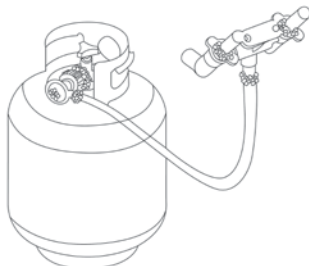
ADVERTENCIA



Si aparecen burbujas que "crezcan" no use ni mueva el tanque de gas. Contacte a su proveedor de gas o a su departamento de bomberos!

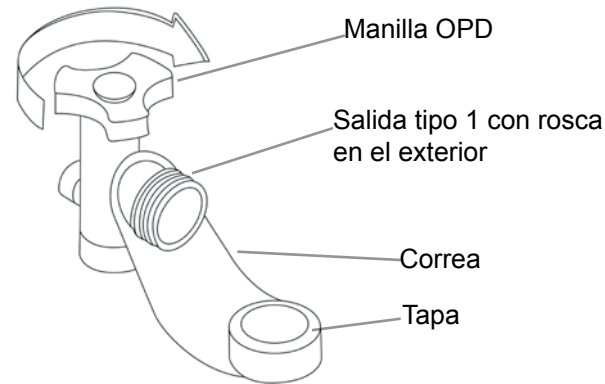
No utilice productos de limpieza para el hogar.

Puede resultar en daños a los componentes de la válvula/manguera/regulador,



Conectar el Regulador al Tanque de Gas

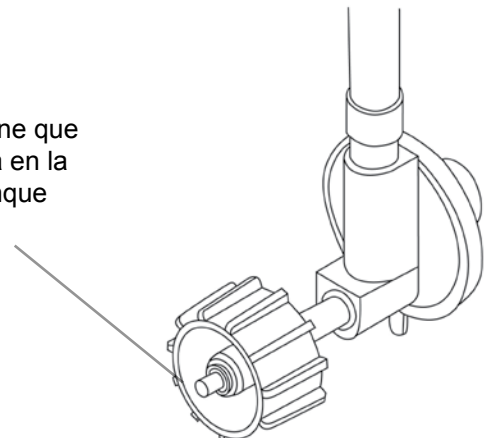
1. El Tanque de gas debe quedar bien fijado a el Tailgater. (Consulte la sección de ensamblado.)
2. Apague todas las perillas de control
3. Apague el tanque de gas, girando la manilla OPD hacia la derecha hasta que pare.
4. Retire la tapa protectora de la válvula del tanque de gas. Use siempre la tapa y la tira que vienen con la válvula.

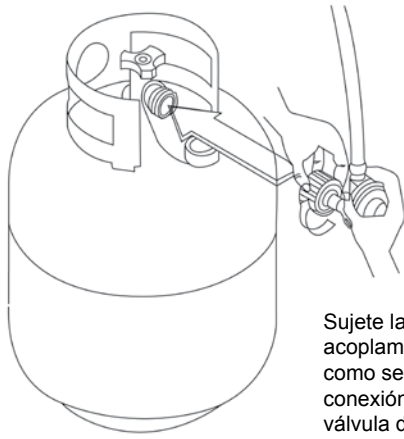


No inserte un tapón POL para transporte (la pieza de plástico con roscas externas) a la salida de la válvula del tanque tipo 1. Se anulará la función de la Válvula de Seguridad.

5. Sostenga el regulador e inserte el manguito en la válvula del tanque de gas. Apriete a mano la tuerca de unión, mientras sostiene el regulador en línea recta con la válvula del tanque, para no estropear las roscas de la conexión.

La boquilla tiene que estar centrada en la válvula del tanque





Sujete la tuerca de acoplamiento y el regulador como se muestra, para una conexión adecuada a la válvula del tanque.

6. Gire la tuerca de acoplamiento de las agujas del reloj y apriete a una parada completa. El regulador formará un sello en la función de copia de verificación en la válvula del tanque, lo que creará cierta resistencia. **Un giro adicional entre la mitad y tres cuartas a su vez es necesario para completar la conexión. Apriete a mano únicamente - no use herramientas.**

NOTA:

Si no puede completar la conexión, desconecte el regulador y repita los pasos 5 y 6. Si usted todavía no puede completar la conexión, ¡No use este regulador!



PELIGRO



- No introduzca ninguna herramienta ni ningún objeto extraño en la salida de la válvula ni en la válvula de seguridad. Usted puede dañar la válvula y causar una fuga. Fugas de propano pueden causar explosiones, incendios, graves lesiones personales o la muerte.
- Si se detecta una fuga en cualquier momento, **DETÉNGASE** y llame a los bomberos.
- Si no puede detener una fuga de gas, ¡cierre de inmediato la válvula del tanque de gas y llame al distribuidor de gas propano o con los bomberos!



ADVERTENCIA

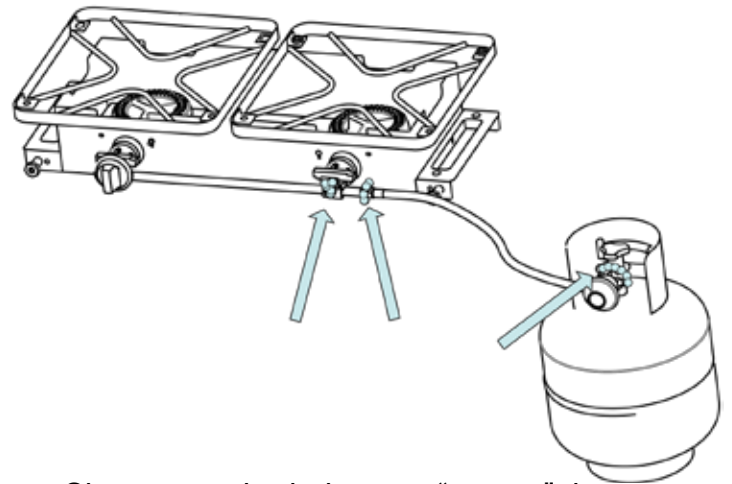


- Nunca trate de conectar esta parrilla al sistema autónomo de gas de un remolque o casa rodante.
- No utilice la parrilla hasta que se le haga una prueba de fuga.

Llame al (435) 252-3030 para reemplazos de partes idénticas.

Prueba de Fuga para Válvulas, Manguera y Regulador

1. Apague todas las perillas de control del TAILGATER.
2. Asegúrese de que el regulador esté bien conectado al tanque de gas.
3. Abra completamente la válvula del tanque de gas girando la manilla ODP hacia la izquierda. Si escucha un sonido de ráfaga, apague el gas completamente. Hay una gran fuga en la conexión. Corrija esto antes de proceder llamando para partes de repuesto al (435) 252-3030.
4. Aplique solución jabonosa a las áreas con burbujas en la ilustración que se presenta a continuación:



5. Si aparecen burbujas que “crecen”, hay una fuga. Cierre la válvula del tanque de gas y vuelva a apretar las conexiones. Si la fuga no puede detener, no trate de reparar. Llame para partes de repuesto al (435) 252-3030.
6. Siempre cierre la válvula del tanque de gas después de realizar la prueba de fugas girando la manilla hacia la derecha.

Desconectar el Regulador de el Tanque de Gas

1. El Tanque de gas debe quedar bien fijado al Tailgater. (Consulte la sección de armado.)
2. Apague todas las perillas de control.
3. Apague el tanque de gas girando la manilla OPD hacia la derecha hasta que pare por completo.
4. Retire el conector de la válvula aflojando la tuerca de acoplamiento.

Consejos de Seguridad

1. Antes de abrir la válvula del tanque de gas, compruebe la tuerca de unión esté bien apretada.
2. Cuando BLACKSTONE Tailgater Combo no está en uso, cierre la perilla de control y la válvula del tanque de gas.
3. Nunca mueva BLACKSTONE Tailgater Combo mientras esté en funcionamiento o mientras esté caliente.
4. Use utensilios para parrilla de mango largo y guantes para hornear, para evitar quemaduras y salpicaduras.
5. Mantenga la unidad a por lo menos 36" de distancia de las paredes, edificios, vehículos u otras estructuras cuando está en uso.
6. Limpie el BLACKSTONE Tailgater Combo con frecuencia, preferiblemente después de cada comida al aire libre. Si utiliza un cepillo de cerdas para limpiar la superficie de cocción, asegúrese de que no queden cerdas sueltas sobre superficies de cocción antes de cocinar.
7. Si usted nota grasa u otros materiales calientes goteando de el BLACKSTONE Tailgater Combo en la válvula, la manguera o el regulador, cierre el suministro de gas de inmediato. Establezca la causa, corrija el problema, limpie e inspeccione la válvula, la manguera y regulador antes de continuar. Realice una prueba de fugas.
8. Mantenga las aberturas de ventilación del recinto cilíndrico libre y limpio de escombros.
9. El regulador puede emitir un sonido zumbante o silvante durante su uso. Esto no afectará la seguridad ni el uso de BLACKSTONE Tailgater Combo.

10. Si usted tiene un problema con el BLACKSTONE Tailgater Combo vea la "Sección de Resolución de problemas".
11. Si el regulador se empaña, apague BLACKSTONE Tailgater Combo y la válvula del tanque de gas inmediatamente. Esto indica un problema con el cilindro y no se debe utilizar en cualquier producto. ¡Regresar al proveedor!

| | | |
|--|--------------------|---|
|  | ADVERTENCIA |  |
| Apague los controles y la fuente de gas o tanque cuando no esté en uso. | | |
|  | PRECAUCION |  |
| Si NO se enciende en 5 segundos, gire AP-AGUE los controles del quemador, espere 5 minutos y repita el procedimiento de encendido. Si el quemador no se enciende con la válvula abierta, el gas continuará saliendo del quemador y podría accidentalmente encender con riesgo de de lesiones. | | |

Encendido con Fósforo

No se recueste sobre el BLACKSTONE Tailgater Combo cuando esté encendiendo. Asegúrese de que no haya fugas en el tubo. Asegúrese de que la perilla de la válvula y la perilla del regulador estén APAGADAS. Primero abra la perilla de la válvula del regulador para encender con fósforo. Si su aparato tiene una cubierta superior, debe abrir la cubierta superior primero. Si no se enciende en 5 segundos, apague los controles de quemadores, espere 5 minutos y repita el procedimiento de encendido.

1. Coloque un fósforo en el portafósforos (colgando de panel lateral de parrilla). Encienda el fósforo: luego encienda el quemador colocando un fósforo en el lado derecho o izquierdo de la parrilla.
2. Oprima y gire la perilla del quemador a la posición ALTA dependiendo que agujero de encendido con fósforo seleccione. Asegúrese que el quemador encienda y permanezca encendido.

Revisar Llama de Quemador

Encender quemador, girar perilla de alto a bajo. Debería de ver una llama más reducida en posición baja que en posición alta. También revise llama de quemador en el quemador lateral. Siempre revise la llama antes de usar. Si sólo ve llama baja por favor consulte “Bajo repentino o llama baja” en la sección de Problemas.

Apagar el Tailgater

Gire la perilla a la posición de APAGADO. Apague el tanque de gas girando la manecilla hacia la derecha hasta que pare.

Revisión de Válvula

Importante: Asegúrese que el gas esté apagado en el tanque de gas antes de revisar las válvulas. Seguro de perilla debe estar APAGADO. Para revisar la válvula, primero empuje la perilla hacia adentro y suéltela, la perilla debería regresar. Si la perilla no regresa, reemplace ensamblado de válvula antes de usar el Tailgater. Gire la perilla a posición baja y después apáguela. La válvula deberá girar suavemente.

Revisión de Manguera

Limpie e inspeccione la manguera antes de cada uso del aparato. Si hay evidencia de abrasión, desgaste, cortes o fugas se debe reemplazar la manguera antes de usar el aparato. Use sólo partes idénticas de reemplazo para la válvula/manguera/regulador, como se especifica en la Lista de Partes de esta Guía de Uso y Cuidado.

Limpieza General del Tailgater

- No confunda acumulación de color café o negra de grasa y humo por pintura. Los interiores de los hornos de gas no son pintados en la fábrica (y nunca se deben pintar). Aplicar una fuerte solución de detergente y agua o utilizar un limpiador de horno con un cepillo de fregar dentro de la tapadera y parte inferior del horno. Enjuague y deje que se seque completamente al aire libre. No aplique limpiador cáustico de horno/parrilla a superficies pintadas.
- Piezas de Plástico: Lave con agua tibia jabonosa y séquelas con un paño. No use Citristol, limpiad-

ores abrasivos, desentrasantes o un limpiador de hornos concentrado en piezas plásticas. Puede resultar en daño o fallas a estas piezas.

- Superficies pintadas: Lávelas con un detergente suave o un limpiador no abrasivo y agua tibia jabonosa. Seque con un paño suave no abrasivo.
- Superficies de Acero Inoxidable: Para mantener el aspecto de alta calidad de su Tailgater, lave con detergente suave y agua jabonosa tibia, seque con un paño suave después de casa uso.
- Depósitos de grasa quemada pueden requerir el uso de una almohadilla abrasiva plástica de limpieza. Use solamente en dirección del acabado cepillado para evitar daños. No use almohadillas abrasivas en áreas con gráficas. Si utiliza cepillo de cerdas para limpiar las superficies de cocción de el Tailgater, asegúrese que no queden cerdas sueltas en superficies de cocción antes de cocinar.

Almacenar su BLACKSTONE Tailgater Combo

- Almacenar en un lugar seco.
- Cuando el tanque de gas esté conectado al BLACKSTONE Tailgater Combo, guárdelo al aire libre en un espacio ventilado fuera del alcance de los niños.
- Cubra el BLACKSTONE Tailgater Combi si es almacenado al aire libre. Escoja de la variedad de fundas BLACKSTONE Tailgater Combo que Blackstone ofrece.
- Guare el BLACKSTONE Tailgater Combo bajo techo UNICAMENTE si el tanque de gas está apagado y desconectado, quítelo del BLACKSTONE Tailgater Combo y guárdelo afuera.
- Al retirar el BLACKSTONE Tailgater Combo de almacenamiento, siga las instrucciones de “Limpieza de Unidad de Quemador” antes de encender la plancha.

Cómo limpiar la unidad del Quemador

Siga estas instrucciones para limpiar y/o reemplazar partes de la unidad del quemador, o si tiene problemas encendiendo el BLACKSTONE Tailgater Combo

1. Apague la perilla de control de gas y el tanque de gas.
2. Quite la cubierta superior (parte 1 en la lista de partes).
3. Quite el protector de calor y la cubierta de aluminio, piedra y el panel giratorio.
4. Quite el electrodo del quemador.
NOTA: Método de eliminación/destacamento dependerá en la configuración del quemador.
5. Levante con cuidado el quemador y retírela de las aberturas de la válvula. Sugerimos tres maneras de limpiar los tubos del quemador. Utilice la más fácil para usted. (A) Doble un alambre rígido (un colgador de ropa funciona bien) para formar un gancho pequeño. Pase el gancho varias veces a través del tubo del quemador. (B) Use un cepillo angosto para botellas con un mango flexible (no utilice un cepillo de alambre de latón), páselo a través del tubo del quemador varias veces. (C) Use protectores para los ojos: Use manguera de aire para forzar el aire dentro del tubo del quemador y fuera de los puertos del quemador. Examine cada puerto para verificar que el aire sale de cada agujero.
6. Use cepillo de alambre en la superficie exterior del quemador para quitar residuos de comida y suciedad.
7. Limpie puertos bloqueados con un alambre rígido, como un clip sujetapapeles.
8. Revise el quemador para detectar daños, debido al desgaste normal y corrosión algunos agujeros pueden agrandarse. Si observa grietas u orificios grandes, cambie el quemador
MUY IMPORTANTE: Los tubos del quemador deben conectarse con las aberturas de la válvula.
9. Conecte el electrodo en el quemador.
10. Vuelva a colocar con cuidado los quemadores.
11. Fije los quemadores a los soportes de la cámara de combustión.
12. Vuelva a colocar los tubos de arraster y fíjelos al quemador.

Seguridad Alimentaria

La seguridad alimentaria es una parte muy importante para disfrutar su parrillada al aire libre. Para mantener los alimentos libres de bacterias nocivas, siga estos cuatro pasos básicos:

Limpiar: Lávese las manos, los utensilios y las superficies con agua caliente y jabón antes y después de manipular carnes y aves crudas.

Separar: Separe carnes crudas y aves crudas de los alimentos listos para comer para evitar cruce de contaminantes. Use bandejas y utensilios limpios para la eliminación de los alimentos cocinados.

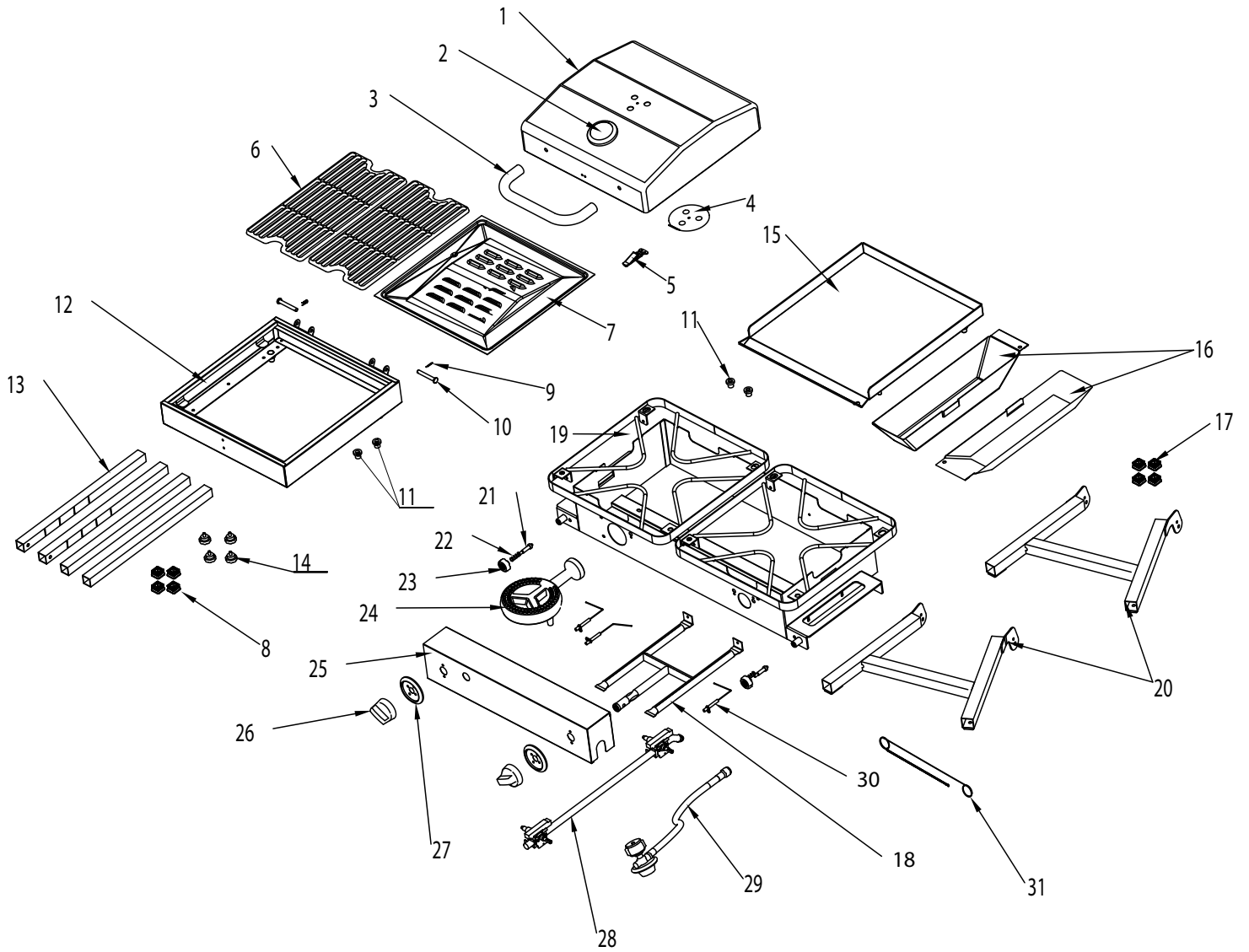
Cocinar: Cocine la carne y aves completamente para matar bacterias. Use un termómetro para asegurarse que la temperatura interna de la comida sea apropiada.

Enfriar: Refrigere alimentos preparados y las sobras rápidamente. Para más información visite la Asociación Canadiense para Seguridad de Comida al Consumidor Education-www.befoodsafe.ca.

Cómo saber cuando las carnes están bien cocidas

- Las carnes y las aves cocidas a la plancha o en el horno a menudo se doran muy rápido en el exterior. Utilice un termómetro para carne para verificar que haya alcanzado una temperatura interna segura, y corte la carne para verificar visualmente que así sea.
- Aves enteras deben llegar a 165° F/74°C. El jugo debe de ser transparente y la carne no debe ser color rosa.
- Las hamburguesas de carne molida o las aves deben llegar a 160° F/71°C, y ser café en el centro sin jugos color rosa. Carne de res, ternera y cornero asados y chuletas se puede cocer a 145° F/63°C. Todos los cortes de cerdo deben llegar a 160° F/71°C.
- NUNCA cocine parcialmente las piezas de carne o ave para terminar cocinándolas después. Cocine los alimentos completamente para destruir bacterias dañinas.
- Cuando recaliente los alimentos de comida rápida o las carnes ya cocidas por completo como perros calientes, cocine a la parrilla a 165° F/64°C, o hasta que los perros calientes hechen vapor, cocine a la parrilla a 165°F/74°C, o hasta que hechen vapor caliente.

LISTA DE PARTES ILUSTRADA



LISTA DE PARTES

| ID de Parte | Nombre | Cantidad |
|-------------|------------------------------|----------|
| 1 | Tapa de la parrilla | 1 |
| 2 | Termómetro | 1 |
| 3 | Manija | 1 |
| 4 | Difusor de aire | 1 |
| 5 | Picaporte | 1 |
| 6 | Rejilla de la parrilla | 2 |
| 7 | Regulador de llama | 1 |
| 8 | Tapón de tubo cuadrado | 4 |
| 9 | Pasador recto | 2 |
| 10 | Pasador de bisagra | 2 |
| 11 | Patas ajustables | 4 |
| 12 | Carcasa de la parrilla | 1 |
| 13 | Patas inferiores | 4 |
| 14 | Tornillo de mariposa | 4 |
| 15 | Parrilla superior | 1 |
| 16 | Bandeja para goteo de aceite | 2 |
| 17 | Tapón de tubo cuadrado | 4 |
| 18 | Quemador-H | 1 |
| 19 | Estructura principal | 1 |
| 20 | Patas superiores | 2 |
| 21 | Pasador de tope | 2 |
| 22 | Resorte | 2 |
| 23 | Perilla de la palanca | 2 |
| 24 | Quemador | 1 |
| 25 | Panel frontal | 1 |
| 26 | Perilla de temperatura | 2 |
| 27 | Biseles de cromo | 2 |
| 28 | Válvula de ensamble | 1 |
| 29 | Regulador | 1 |
| 30 | Aguja de encendido | 3 |
| 31 | Soporte de fósforos | 1 |

ADVERTENCIA: El fabricante ha hecho todo lo posible para eliminar los bordes afilados. Sin embargo, usted debe manejar todos los componentes con cuidado para evitar accidentes. Herramientas necesarias: La única herramienta necesaria es un desarmador Phillips para el ensamblaje mínimo de la tapa y el cuerpo principal de las manijas.

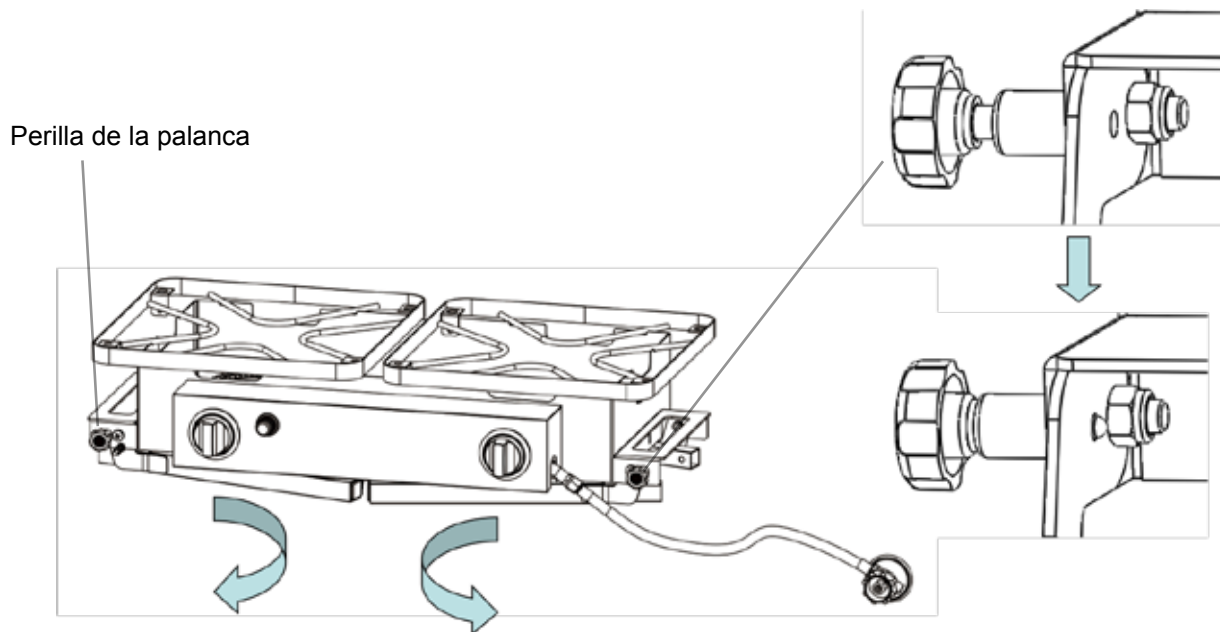
ENSAMBLAJE:

Lea atentamente todas las instrucciones antes de proceder. Buscar un área amplia, limpia en la cual pueda ensamblar su BLACKSTONE Tailgater Combo. Consulte la lista de partes y diagrama de ensamblado cuando sea necesario. El ensamblaje del BLACKSTONE Tailgater Combo requiere piezas de gran tamaño, por lo que se recomienda tener dos personas al ensamblar la unidad.

AVISO: *Asegúrese de remover toda la protección de plástico antes de ensamblar.*

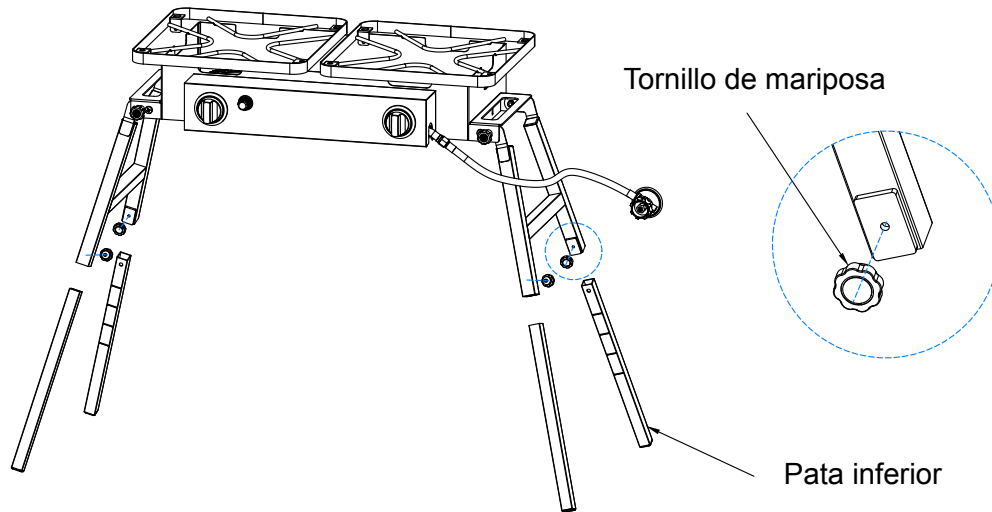
Paso 1

Tome la estructura principal, tire de la perilla de la palanca y despliegue las patas.



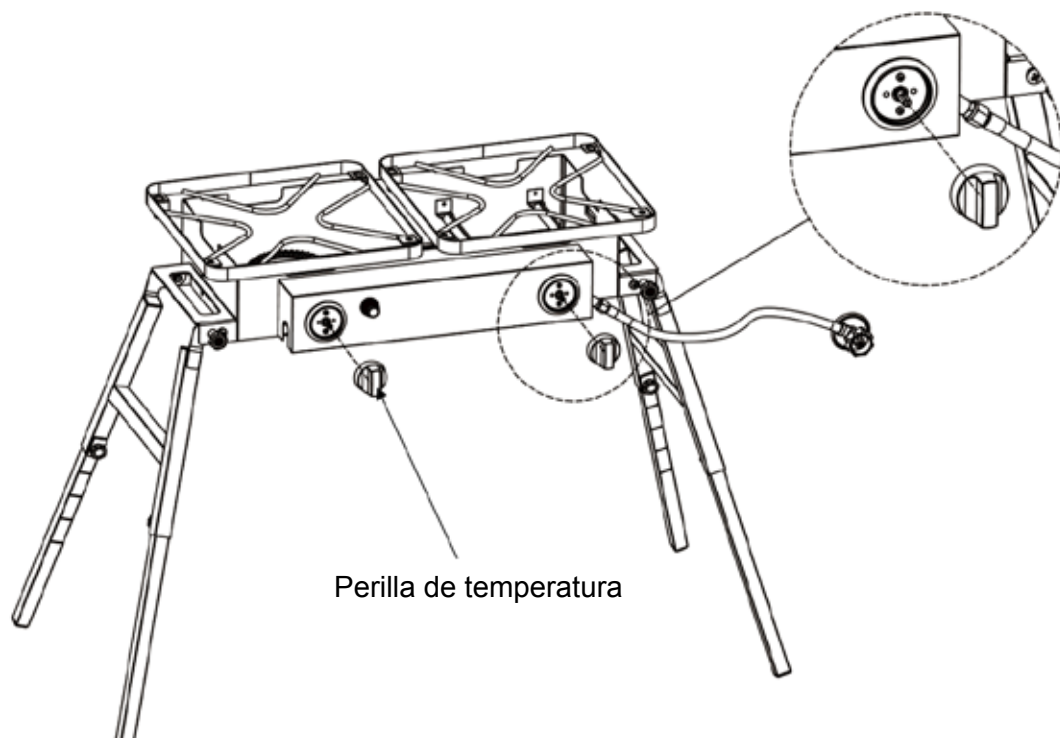
Paso 2:

Introduzca las patas inferiores en las patas superiores. Ajuste la altura de acuerdo a las marcas en las patas inferiores y luego, apriete los tornillos de mariposa cuando haya ajustado las patas a la altura deseada.



Paso 3:

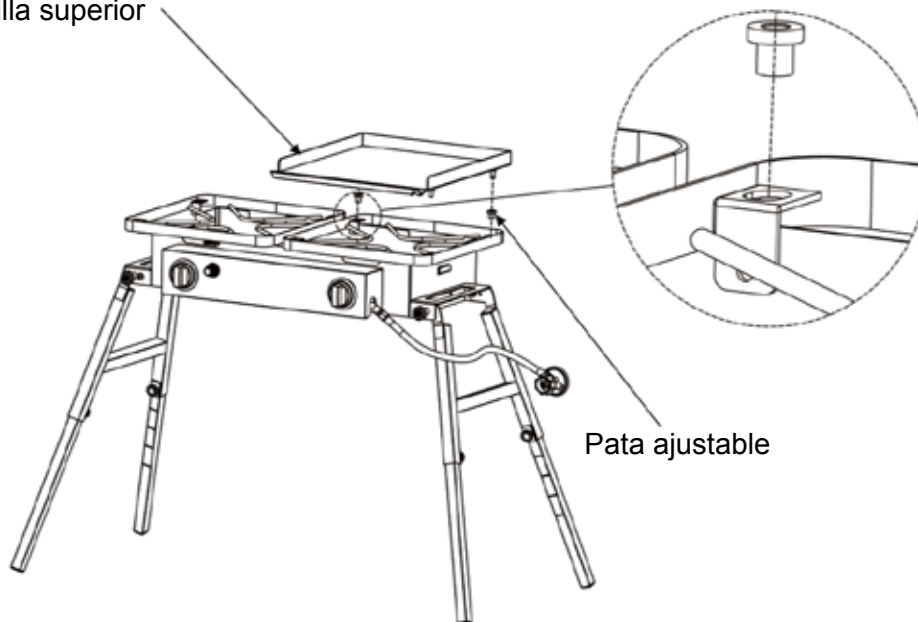
Empuje las perillas de temperatura en la cubierta de control de temperatura.



Paso 4:

Ensamble la parrilla superior. Alinee las patas superiores de la rejilla a las cuencas de la rejilla. Asegure la parrilla superior en las cuencas de la rejilla. Los tornillos ajustables en la parte trasera de la parrilla superior permiten nivelar la superficie de cocinado.

Parrilla superior

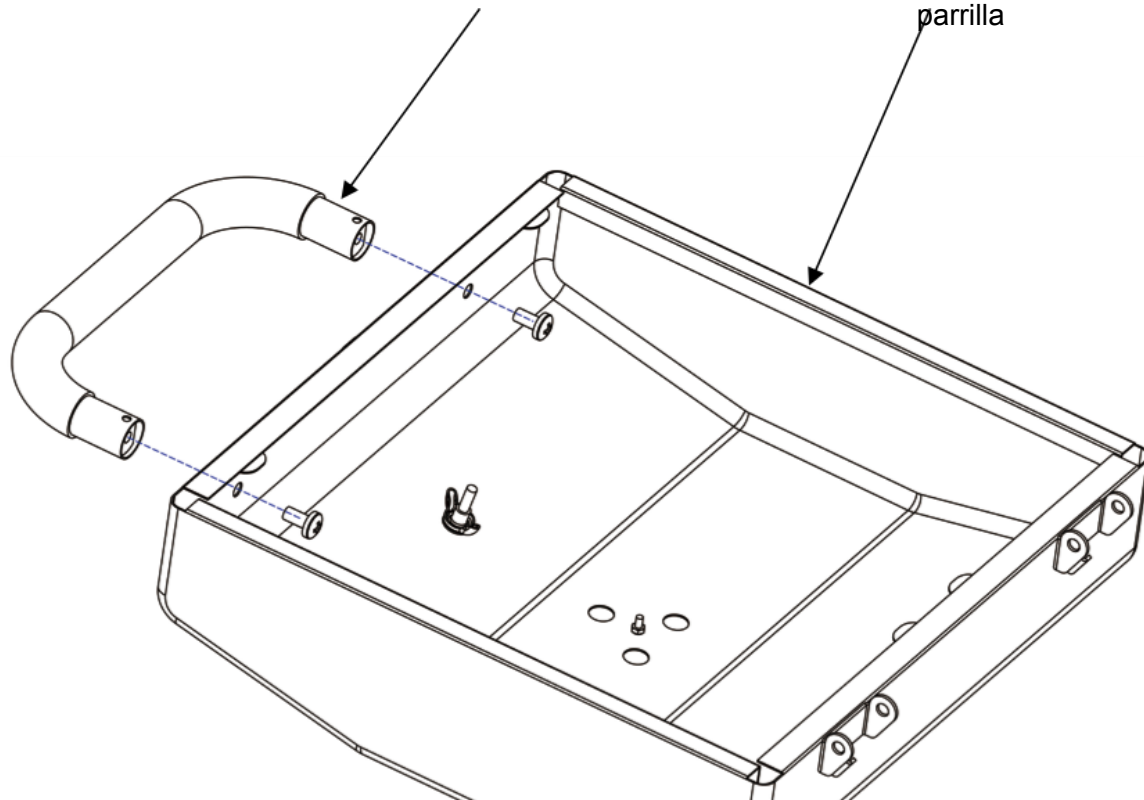


Paso 5:

Monte la tapa izquierda de la parrilla. Con un destornillador, fije la manija dentro de la tapa utilizando tornillos M8-19.

Manija

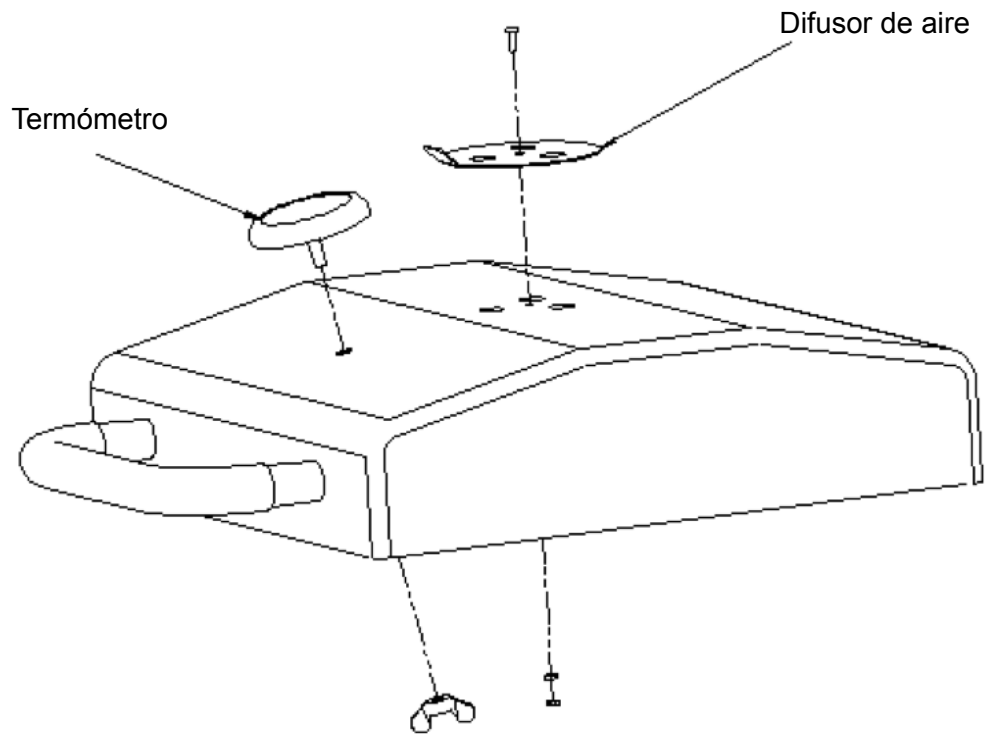
Tapa de la parrilla



Paso 6:

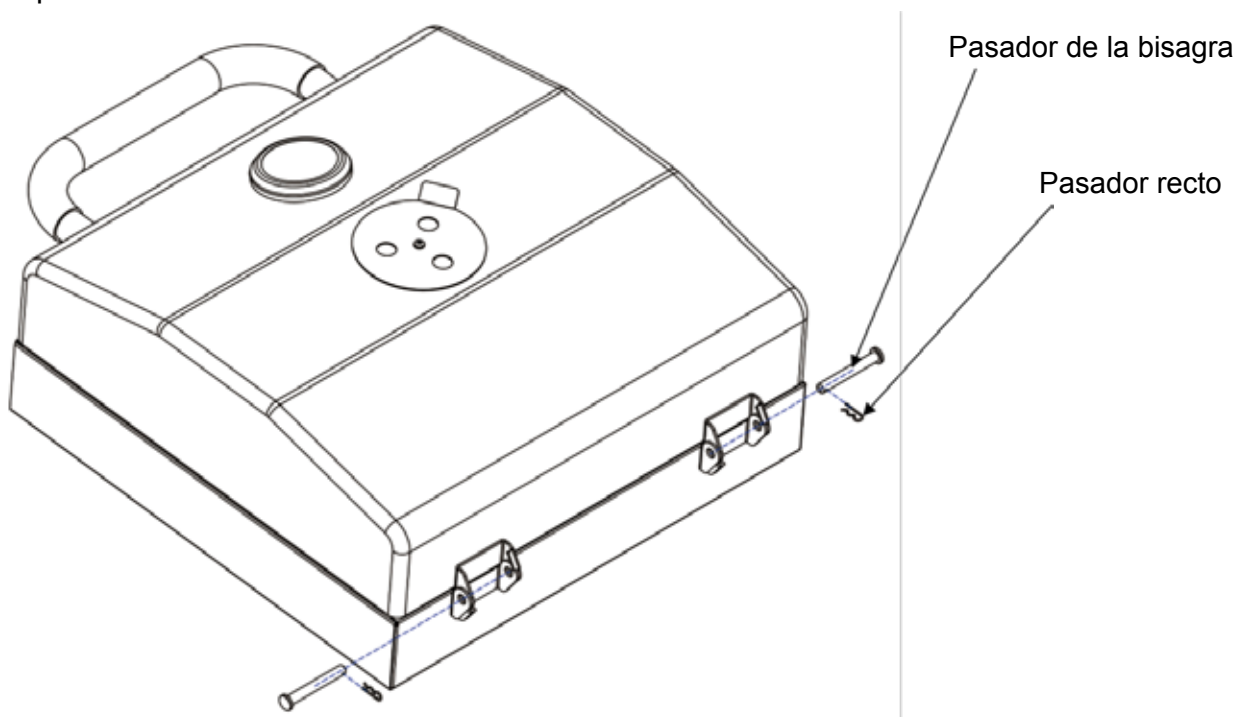
Añada el termómetro y el difusor de aire a la izquierda de la tapa de la parrilla. El termómetro está asegurado con una sola tuerca de alas. El difusor de aire se fija con un pequeño tornillo M4-12 desde la parte superior y con una tuerca M4 fina desde el interior.

El termómetro se sujeta con una tuerca de alas desde el interior de la tapa



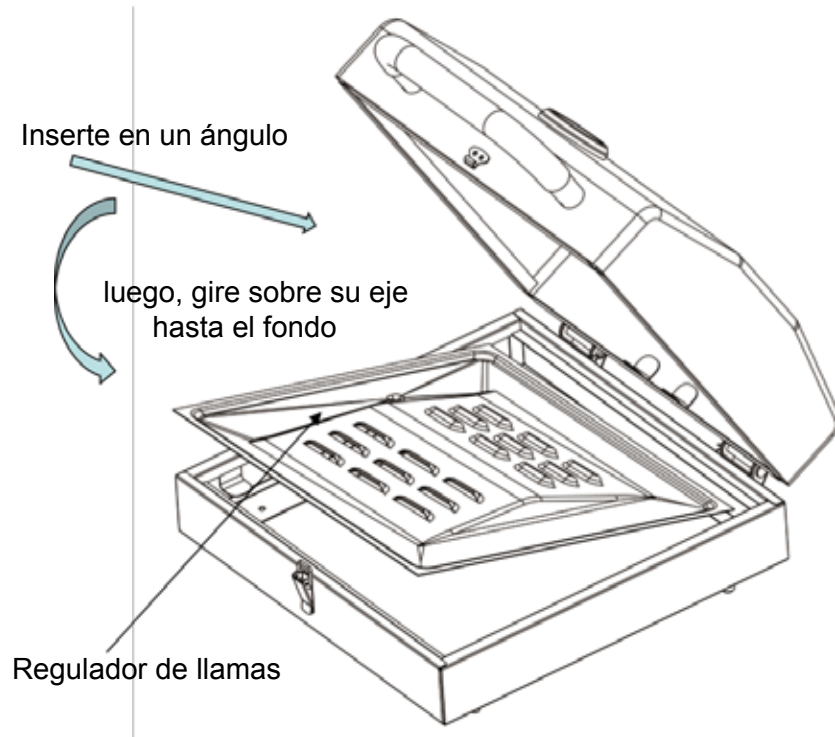
Paso 7:

Complete el montaje de la parrilla al agregar la rejilla de la parrilla en la base alineándola con las bisagras posteriores. Empuje los pasadores de bisagra a través de los ojales y asegúrelos con un pasador recto.



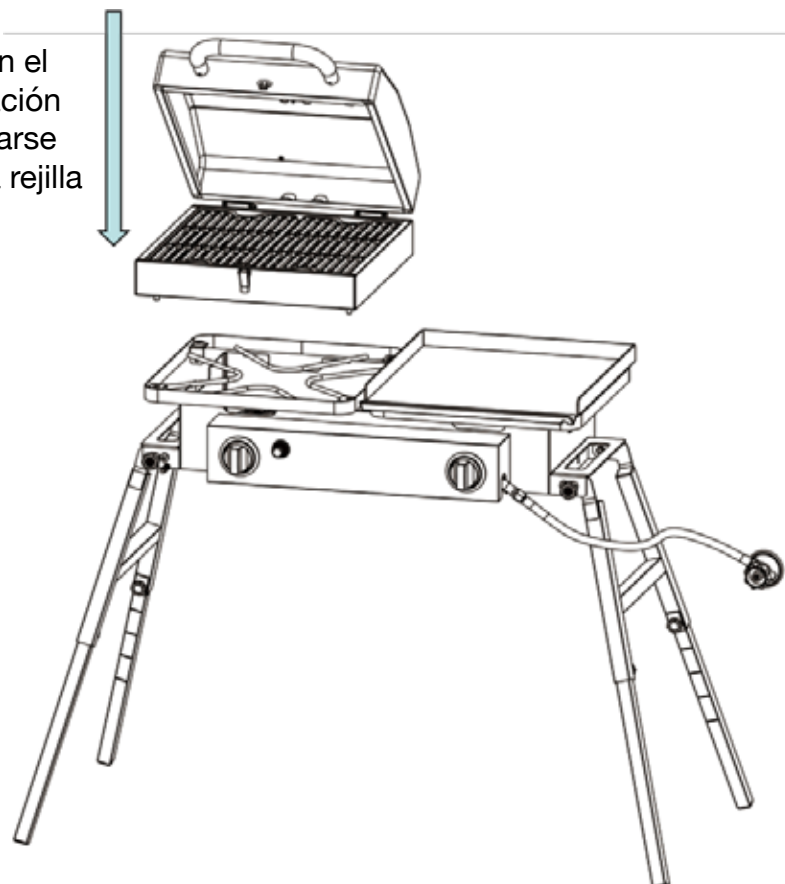
Paso 8:

Inserte el regulador de llamas en la base de la parrilla.



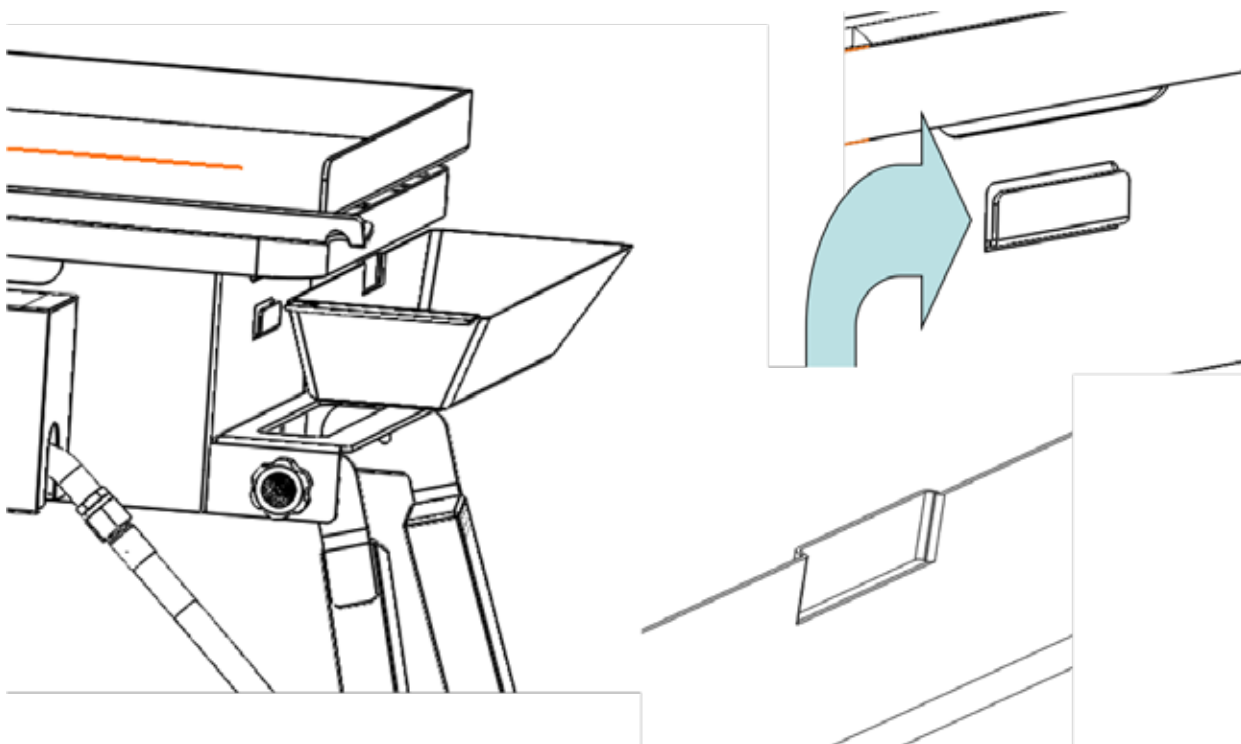
Paso 9:

Coloque la parrilla de ensablado en el lado izquierdo de la rejilla. La colocación de las patas de la parrilla debe alinearse con las cuencas de colocación en la rejilla de la estructura.



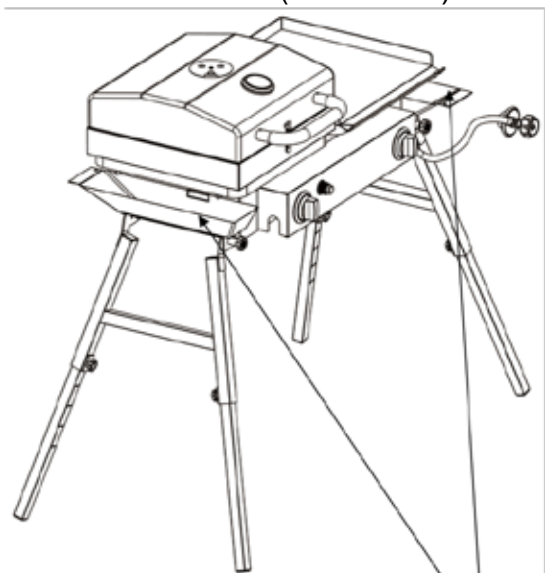
Paso 10:

Cada bandeja de goteo tiene una pestaña troquelada para colgar. Ubique el gancho que corresponde a la pestaña al lado derecho de la estructura. Al conectar la bandeja de grasa a la estructura esta quedará justo debajo del escurrimiento de grasa de la parrilla superior.

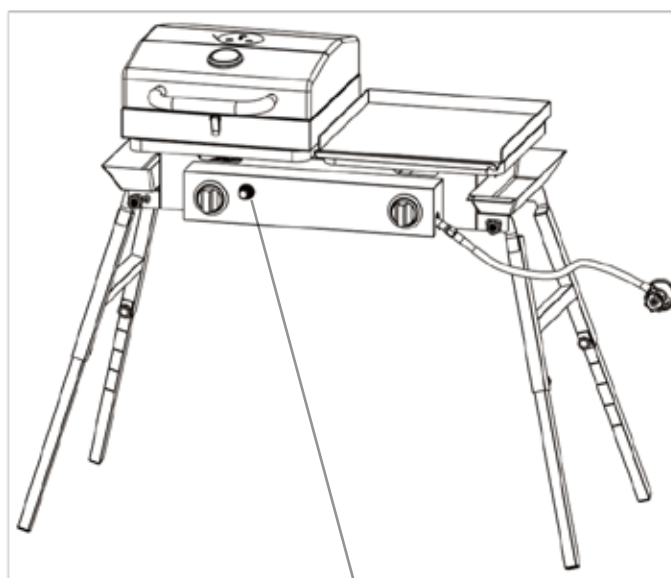


Paso 11:

Fije la segunda bandeja recogegrasa en el lado izquierdo. Desenrosque el botón de encendido, inserte la batería AA (no incluida)



Dos, bandejas recogegrasa,
orientadas en sentido opuesto.



Botón de encendido electrónico.
Desenrosque, inserte la batería AA,
reemplace el botón

Disfrute su nuevo Blackstone Tailgater

Su nuevo Tailgater está diseñado enfocado en la versatilidad. El quemador izquierdo está diseñado para un calor concentrado e intenso. Esto es excelente para cocinar en ollas, cacerolas, sartenes, o asados con la parrilla incluida.

El tubo quemador de acero inoxidable al lado derecho del Tailgater, está diseñado para distribuir el calor sobre un área más grande. Este es ideal para cocinar en grandes superficies, como la parrilla superior incluida.



INSTRUCCIONES DE ENCENDIDO

Encendiendo la Parrilla

No se recueste sobre la parrilla cuando la encienda. Lea las instrucciones antes de encender.

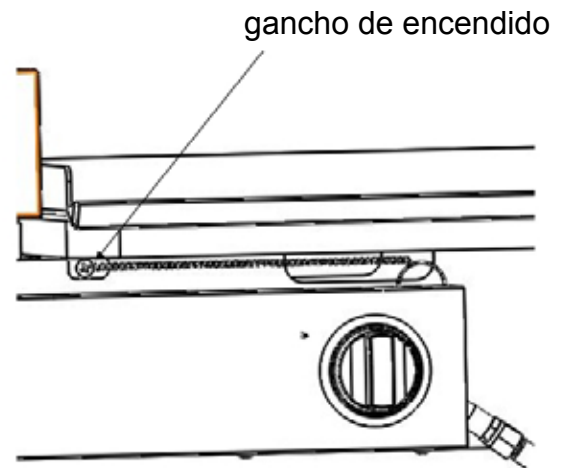
1. APAGUE todas las perillas de control.
2. Abra la válvula del tanque girándola hacia la izquierda.
3. Abra la tapa durante el periodo de encendido.
4. Pulse y gire la perilla de control en dirección contraria al reloj hasta la posición de alto.
5. Presione el botón de encendido para prender el gas que fluye. Asegúrese que una batería AA cargada, con el límite positivo hacia afuera, está instalada en el botón de encendido.
6. Si el encendido no se produce en 5 segundos, gire para apagar el control del quemador, espere 5 minutos y repita el procedimiento, o consulte las instrucciones para encendido con fósforo.
7. Repita las instrucciones de encendido para encender el otro quemador.

Encendido con Fósforo (gancho de encendido situado encima de la perilla derecha)

1. APAGUE todas las perillas de control.
2. Abra la válvula del tanque girándola completamente hacia la izquierda.
3. Abra la tapa durante el periodo de encendido.
4. Inserte un fósforo en el extremo del gancho de encendido.
5. Encienda el fósforo.
6. Colocar inmediatamente el fósforo encendido a través del agujero cerca del quemador.
7. Empuje y gire la perilla de control a la posición “+” y el quemador debe encender inmediatamente.

Si no se enciende en 5 segundos, apague el control del quemador, espere 5 minutos y repita el proceso de encendido.

Repita las instrucciones de encendido para encender el otro quemador.



CUIDADO Y MANTENIMIENTO

Limpie regularmente su BLACKSTONE Tailgater Combo entre usos y sobre todo después de largos periodos de almacenamiento. Asegúrese de que el BLACKSTONE Tailgater Combo y sus componentes estén lo suficientemente fríos antes de limpiarlos.

- Nunca toque las partes calientes sin protección en las manos.
- Con el fin de ampliar y mantener la vida y la condición de su BLACKSTONE Tailgater Combo, le recomendamos que cubra la unidad cuando se deje al aire libre por mucho tiempo. Especialmente durante los meses de invierno.

Mantenimiento del Quemador:

En la mayoría de los casos, la quema de los residuos después de la cocción mantendrá el quemador limpio. El quemador debe ser retirado y limpiado anualmente o cuando haya gran acumulación, a fin de garantizar que no haya ningún bloqueo (desechos, insectos), ya sea en los agujeros de puerto del quemador o en los tubos de riesgo. Use limpiador de tuberías para eliminar las obstrucciones. Un cepillo de alambre se puede utilizar para eliminar la corrosión de las superficies del quemador. Al volver a ensamblar el quemador, tenga cuidado de revisar que los tubos de riesgo del quemador se ajusten sobre las salidas de las válvulas.

Accesorios y Almacenamiento:

Se recomienda revisar anualmente y apretar los accesorios de metal. Guarde el BLACKSTONE Tailgater Combo en un lugar fresco y seco. Cubra los quemadores con papel de aluminio con el fin de evitar que los insectos u otros desechos se acumulen en los orificios del quemador. Si el BLACKSTONE Tailgater Combo se almacenará en interiores, debe desconectar el tanque de gas y dejarlo afuera, fuera del alcance de los niños, y en un lugar seco y bien ventilado, lejos de cualquier fuente de calor o ingnición.

SOLUCION DE PROBLEMAS

| PROBLEMA | POSIBLE CAUSA | SOLUCION |
|---|---|---|
| El quemador no se enciende usando el sistema de Encendido Automático. | <ol style="list-style-type: none"> 1. El tanque de gas está vacío. 2. Regulador averiado. 3. Obstrucción en el quemador. 4. Obstrucciones en los inyectores o manguera de gas. 5. Electrodo dañado/defectuoso presionar botón de encendido | <ol style="list-style-type: none"> 1. Reemplace con cilindro lleno. 2. Haga que revisen o reemplazen el regulador. 3. Limpie el quemador. 4. Limpie inyectores y la manguera de gas. 5. Cambie el electrodo y el alambre de encendido. |
| El quemador no se enciende con un fósforo. | <ol style="list-style-type: none"> 1. El cilindro de gas esta vacío. 2. Regulador averiado. 3. Obstrucciones en el quemador. 4. Obstrucciones en los inyectores o manguera de gas. | <ol style="list-style-type: none"> 1. Reemplace con cilindro lleno. 2. Haga que revisen o reemplazen el quemador. 3. Limpie el quemador. 4. Limpie los inyectores y la manguera de gas. |
| El fuego en el tubo del quemador tiene una llama baja o flashback (se escuchan sonidos de silbido o rugido) | <ol style="list-style-type: none"> 1. El cilindro de gas esta vacío. 2. Obstrucciones en el quemador. 3. Obstrucciones en los inyectores o manguera de gas. 4. Clima con mucho viento. | <ol style="list-style-type: none"> 1. Utilice un tanque más grande. 2. Limpie quemador. 3. Limpie inyectores y manguera. 4. Use la parrilla en un lugar más resguardado. |

North Atlantic Imports LLC, 90 Días & Garantía Limitada

North Atlantic Imports LLC el fabricante, garantizará durante 90 días a partir de la compra todas la partes, mano de obra y acabados (contra la oxidación).

Será opción del fabricante en cuanto a si se debe reparar o sustituir cualquiera de los elementos anteriores.

Todas las garantías están limitadas sólo al comprador original. Esta garantía no cubre ninguna responsabilidad por parte de North Atlantic Imports LLC, sus agentes o empleados, de daños indirectos o daños consecuentes por incumplimiento de la garantía.

El comprador debe seguir las instrucciones de uso del fabricante.

En ningún caso se hará responsable al fabricante de daños causados por usar el BLACKSTONE Tailgater Combo incorrectamente.

Es la responsabilidad del comprador establecer el periodo de garantía mediante la verificación de la fecha de compra original con el recibo de compra original.

Para una explicación más detallada de la garantía, lea a continuación:

North Atlantic Imports LLC garantiza al propietario que los productos cubiertos por el presente acuerdo están libre de defectos de materiales y de mano de obra bajo uso normal y el servicio para el cual fue destinado, si, pero solo si se ha operado de acuerdo con las instrucciones que North Atlantic Imports LLC de uso doméstico y no para un club privado o público, con fines instruccionales o comerciales. La obligación de North Atlantic Imports LLC bajo esta garantía se limita a reemplazar o reparar, sin costo alguno, cualquier pieza o piezas que puedan demostrar, a satisfacción de North Atlantic Imports LLC, estar defectuosas bajo el uso normal en el hogar y servicio dentro de los siguientes periodos de tiempo determinado a partir de la fecha de compra; a) durante 90 días a partir de la compra, todas las partes, acabados y mano de obra. Si hay alguna falta de conformidad a esta garantía durante el periodo de garantía aplicable indicado anteriormente, el comprador original debe notificar a North Atlantic Imports LLC sobre el incumplimiento dentro del periodo de garantía aplicable. North Atlantic Imports LLC deberá, bajo notificación y cumplimiento por parte del comprador original con dichas instrucciones, corregir el no conformismo mediante la reparación o reemplazo de la parte o partes defectuosas. Corrección en la forma prevista anteriormente constituirá el cumplimiento de todas las obligaciones de North Atlantic Imports LLC con respecto a la calidad de este producto.

North Atlantic Imports LLC no garantiza que este equipo cumplirá los requisitos de cualquier código de seguridad de cualquier estado, municipio u otra jurisdicción, y el comprador original asume todos los riesgos y responsabilidades que resulten en el uso de los mismos, tanto si se utiliza de acuerdo con las instrucciones de North Atlantic Imports LLC o de otra manera. Esta garantía no cubre, y tiene la intención de excluir cualquier responsabilidad por parte de North Atlantic Imports LLC, sus agentes, funcionarios o empleados ya sea bajo esta garantía o implícitas por ley de los daños indirectos o daños consecuentes por incumplimiento de cualquier garantía. El comprador debe establecer todos los periodos de garantía aplicables de conformidad con esta garantía mediante la verificación de la fecha de compra original presentando el recibo de compra con la fecha. Esta garantía no se aplicará a este producto o cualquier otra parte de la misma que ha sido objeto de un accidente, negligencia, alteración, abuso o mal uso o la cual ha sido reparada o alterada sin el consentimiento escrito de North Atlantic Imports LLC. North Atlantic Imports LLC no ofrece ninguna garantía con respecto a los accesorios o piezas no suministradas con el mismo. Esta garantía es válida solo dentro de las fronteras de los Estados Unidos de América. Esta garantía le otorga derechos específicos al comprador original, y el comprador original puede tener otros derechos, que varían de estado a estado.

¡Nuestro personal de servicio al cliente está aquí para ayudarle!

Si tienes preguntas sobre tu Blackstone Comercial BLACKSTONE Tailgater Combo, o si necesita de piezas de repuesto, puede ponerse en contacto con nosotros en:

Para ayuda en EU Llame a: 435.252.3030

Para ayuda en Canadá llame a: 1.801.656.2041

ó envíenos un email

support@blackstoneproducts.com

Será nuestro placer ayudarle con cualquier pregunta sobre partes de reemplazo o su garantía. Nuestro personal de servicio al cliente está disponible de Lunes a Viernes de 8:00 am a 5:00 pm Hora Estándar de la Monaña. Si todos los operadores están ocupados o si llama después de las horas disponibles, puede dejar un mensaje y se le regresará la llamada.

