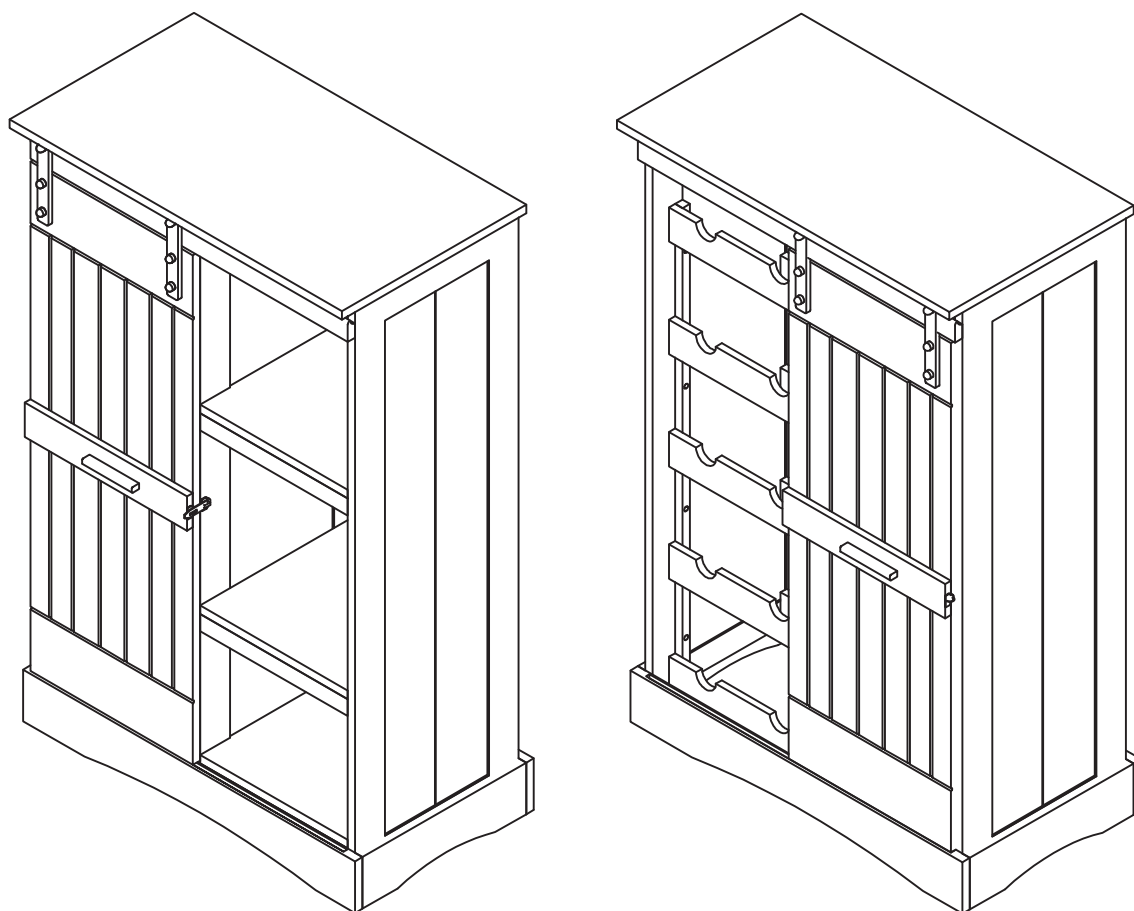


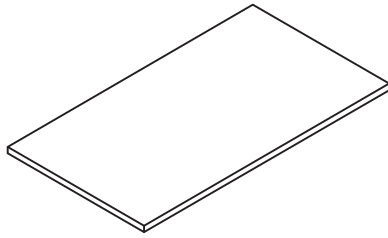
CARE INSTRUCTIONS

Thank you for choosing northbeam™ OXFORD BAR CABINET. With a little care and maintenance, the northbeam™ OXFORD BAR CABINET will provide you with comfort and enjoyment for many years to come!

- To clean panels, use clean water on a damp cloth.
- When assembling northbeam™ OXFORD BAR CABINET, please handle all the panels and/or hardware with care to avoid any possibilities of damages and/or injuries.



NOTE: Please read all instructions carefully before starting assembly. Also, we recommend that the unit is fully assembled on a level surface. Two people are recommended to assemble this product. DO NOT over torque screws and bolts.



A TOP PANEL X 1PC



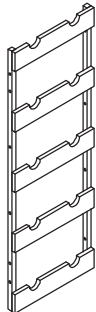
B LEFT SIDE PANEL X 1PC



C MIDDLE INTERIOR PANEL X 1PC



D RIGHT SIDE PANEL X 1PC



E FRONT WINE RACK PANEL X 1PC



F BACK WINE RACK PANEL X 1PC

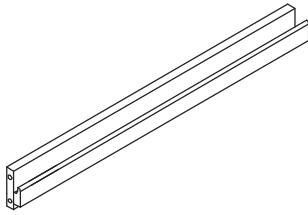


G BACK PANEL X 2PCS

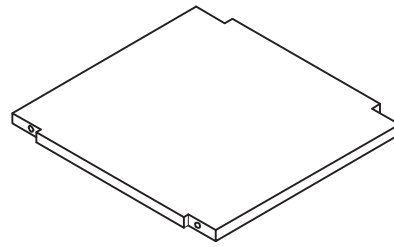


H SLIDING DOOR X 1PC

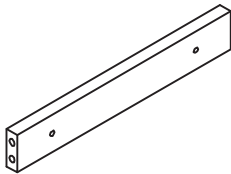
NOTE: Please read all instructions carefully before starting assembly.
 Also, we recommend that the unit is fully assembled on a level surface.
 Two people are recommended to assemble this product.
 DO NOT over torque screws and bolts.



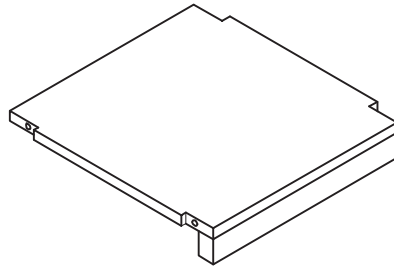
I FRONT TOP CROSSER X 1PC



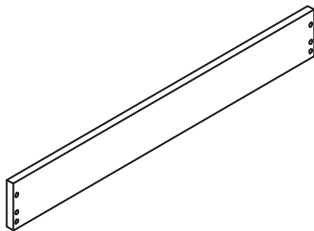
J BOTTOM SHELF X 1PC



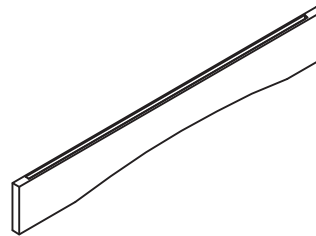
K BOTTOM SHELF FRONT PLATE X 1PC



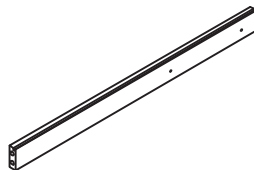
L MIDDLE SHELF X 2PCS



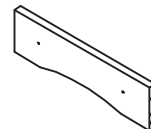
M BACK BOTTOM CROSSER X 1PC



N FRONT BOTTOM CROSSER X 1PC


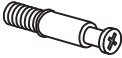



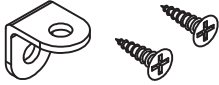

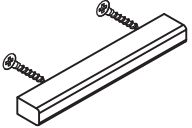


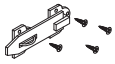
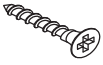


O BOTTOM SHELF BACK PLATE X 1PC



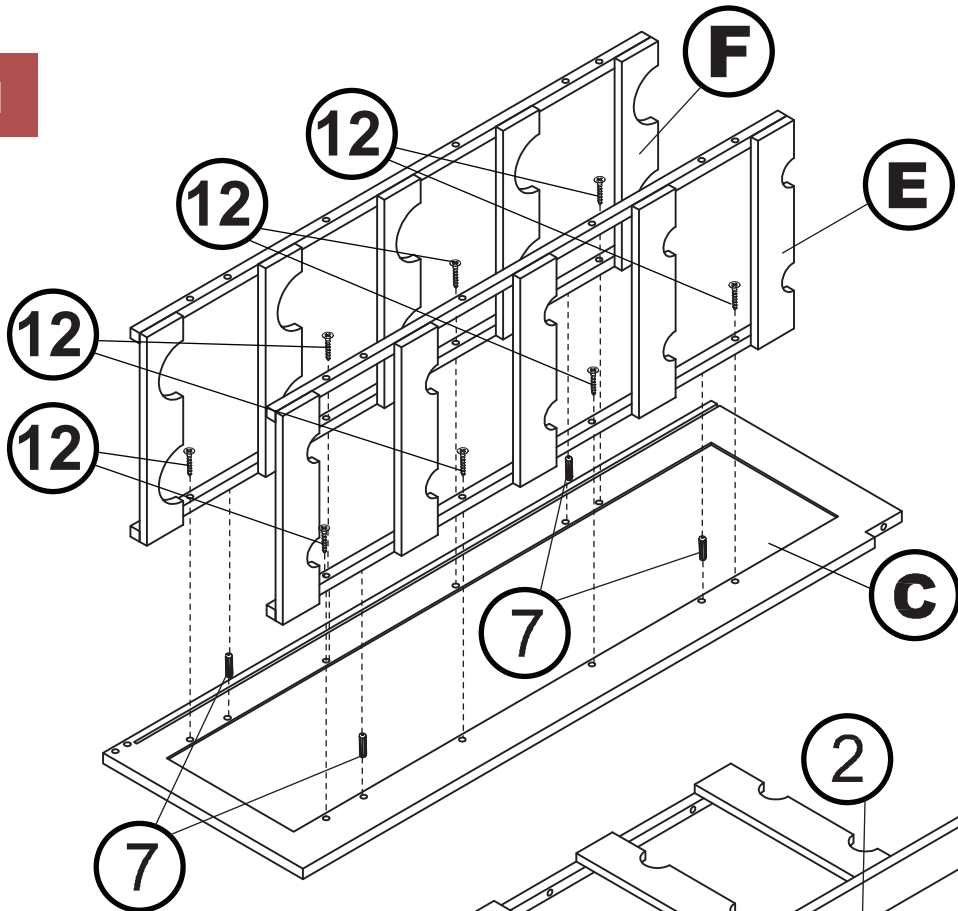
P SIDE BOTTOM CROSSER X 2PCS

NOTE: Please read all instructions carefully before starting assembly.
 Also, we recommend that the unit is fully assembled on a level surface.
 Two people are recommended to assemble this product.
 DO NOT over torque screws and bolts.

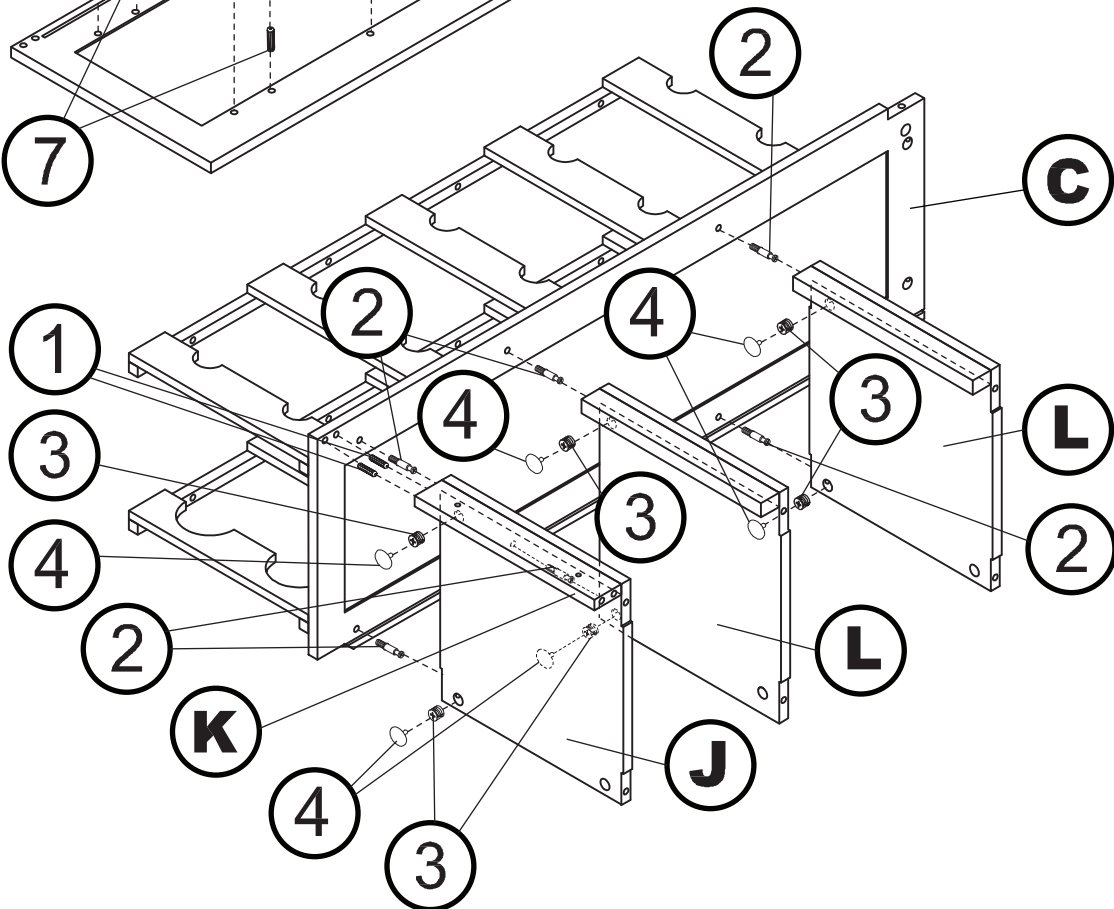
1		LARGE DOWEL	23+2PCS
2		LOCKING BOLT	23+2PCS
3		CAM	23+2PCS
4		HOLE CAP	23+2PCS
5		SCREW 4x20mm	8+1PCS
6		CORNER SUPPORT	2PCS
7		SMALL DOWEL	8+1PCS
8		DOOR HANDLE	1PC
9		SLIDING HARDWARE	2PCS
10		ALLEN KEY	1PC
11		LATCH	1PC
12		SCREW 4x25mm	17+2PCS

NOTE: Please read all instructions carefully before starting assembly.
 Also, we recommend that the unit is fully assembled on a level surface.
 Two people are recommended to assemble this product.
 DO NOT over torque screws and bolts.

1

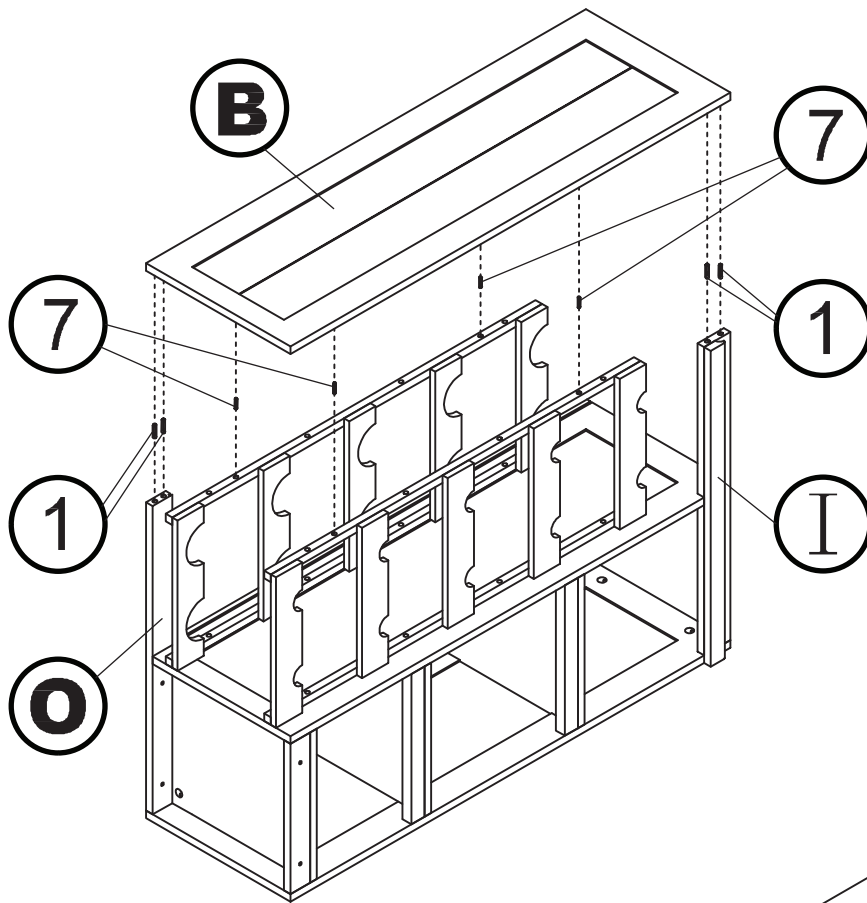


2

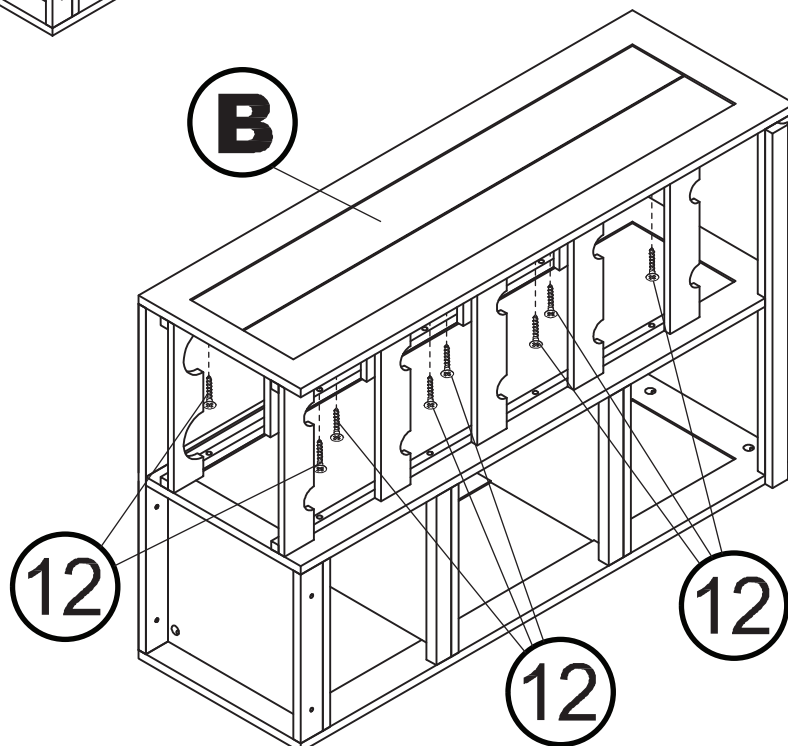


NOTE: Please read all instructions carefully before starting assembly.
 Also, we recommend that the unit is fully assembled on a level surface.
 Two people are recommended to assemble this product.
 DO NOT over torque screws and bolts.

5

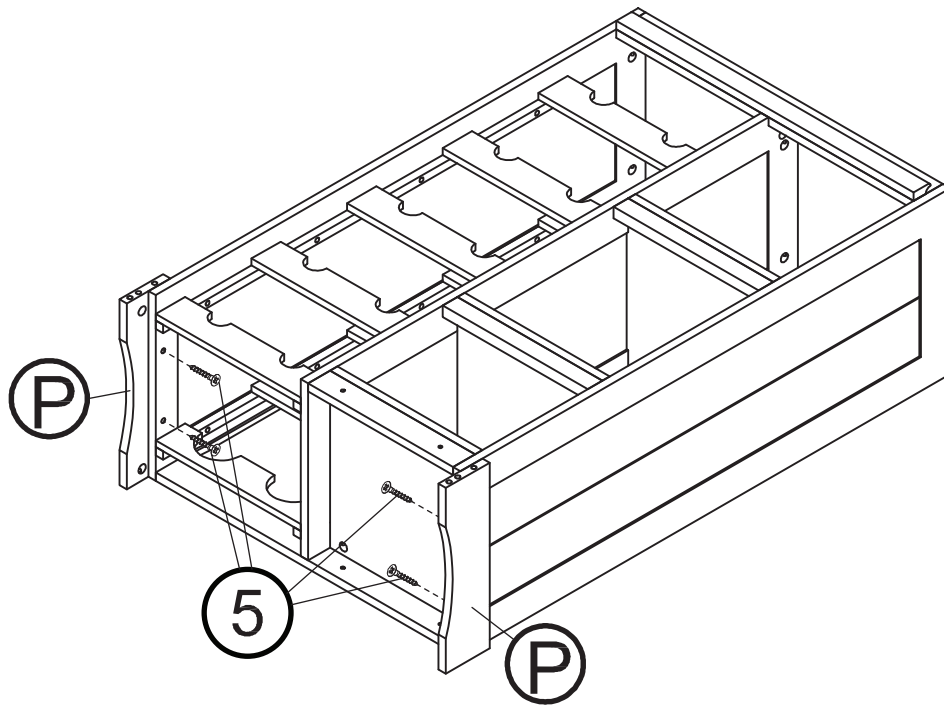


6

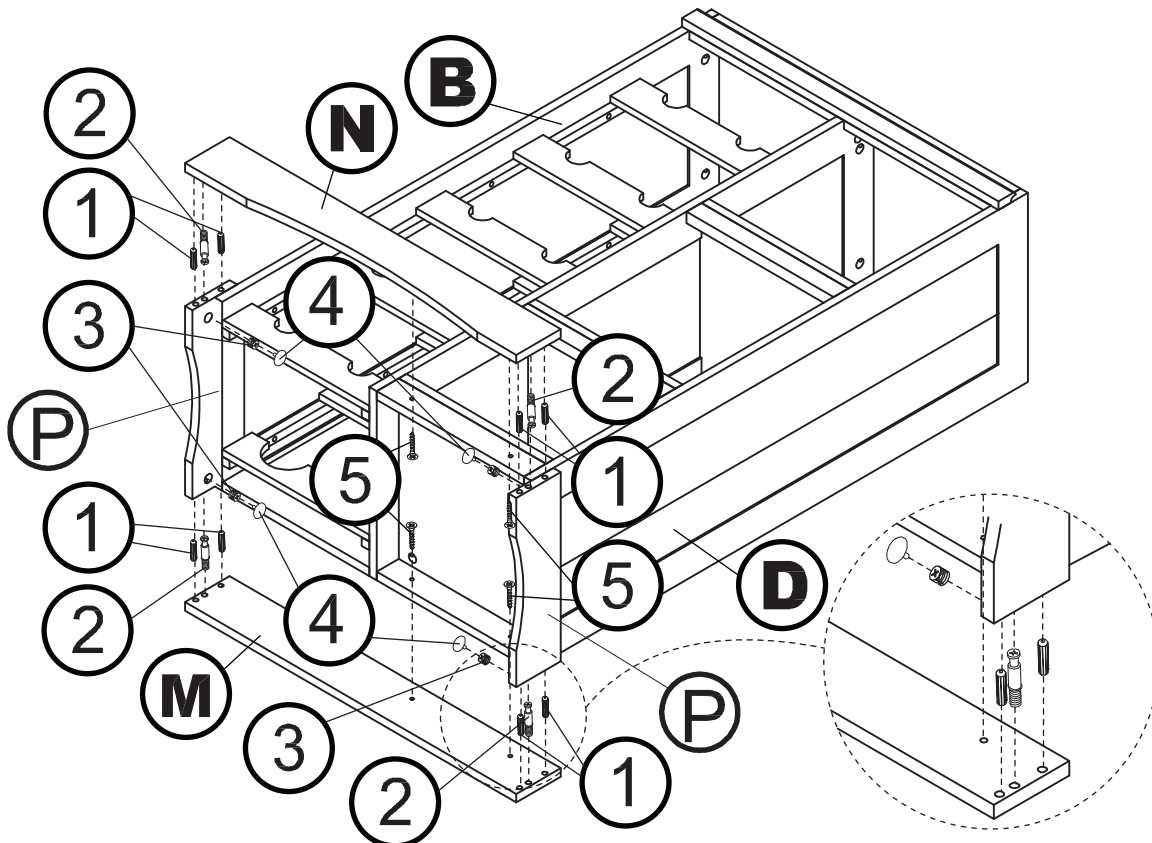


NOTE: Please read all instructions carefully before starting assembly.
 Also, we recommend that the unit is fully assembled on a level surface.
 Two people are recommended to assemble this product.
 DO NOT over torque screws and bolts.

7

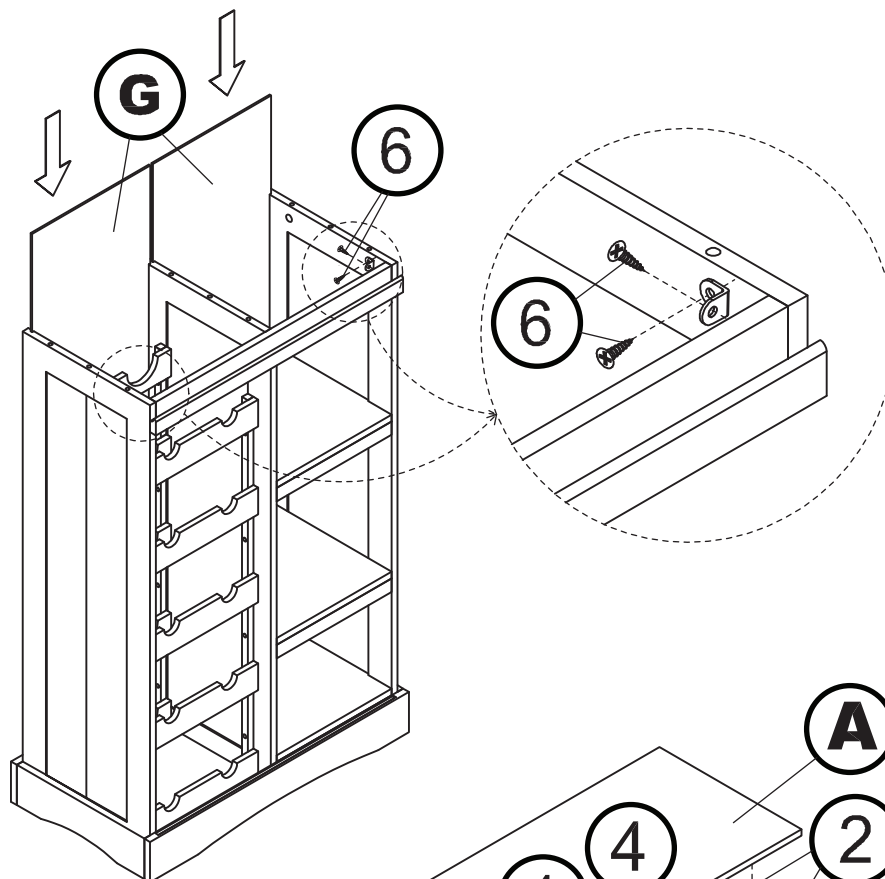


8

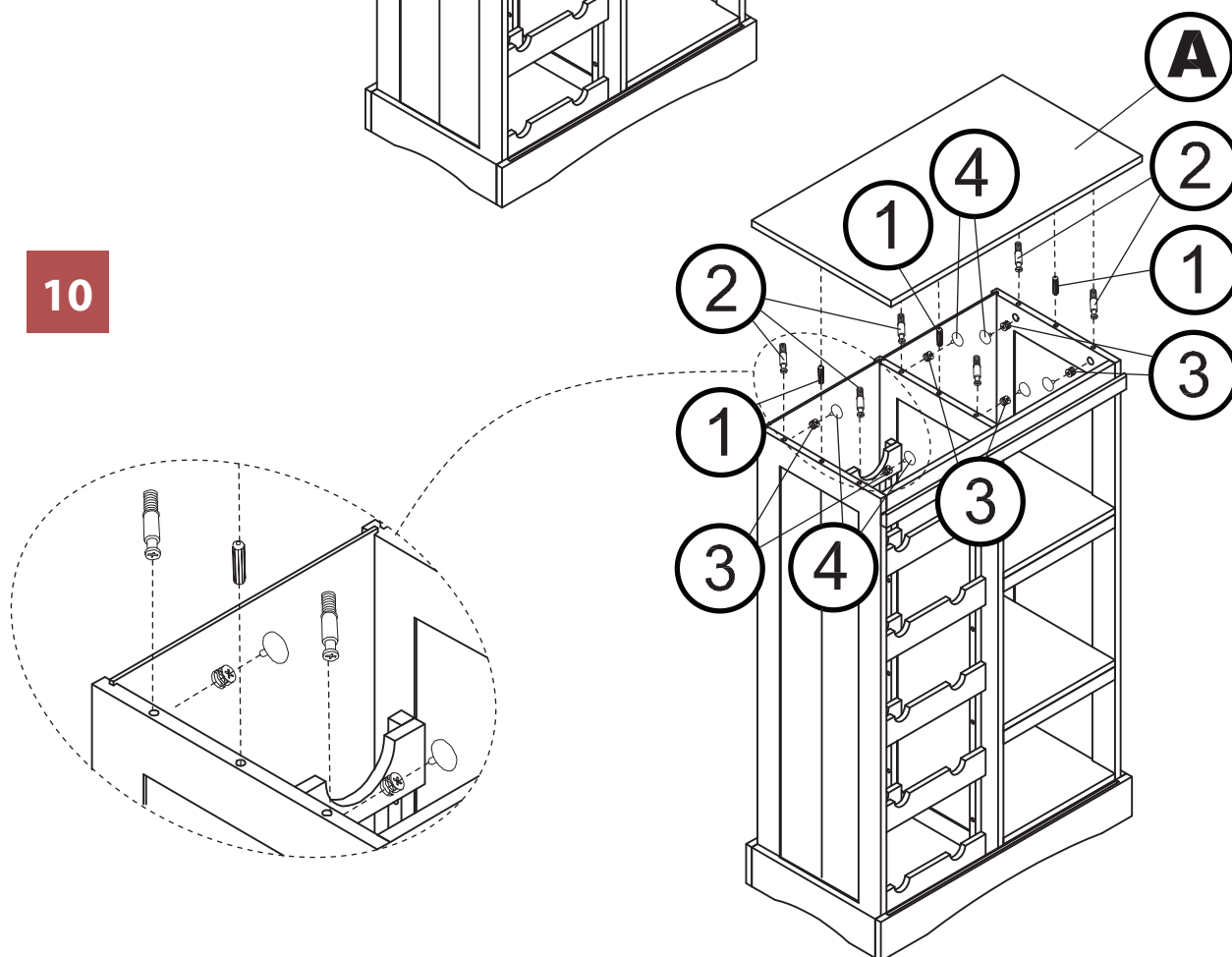


NOTE: Please read all instructions carefully before starting assembly.
 Also, we recommend that the unit is fully assembled on a level surface.
 Two people are recommended to assemble this product.
 DO NOT over torque screws and bolts.

9

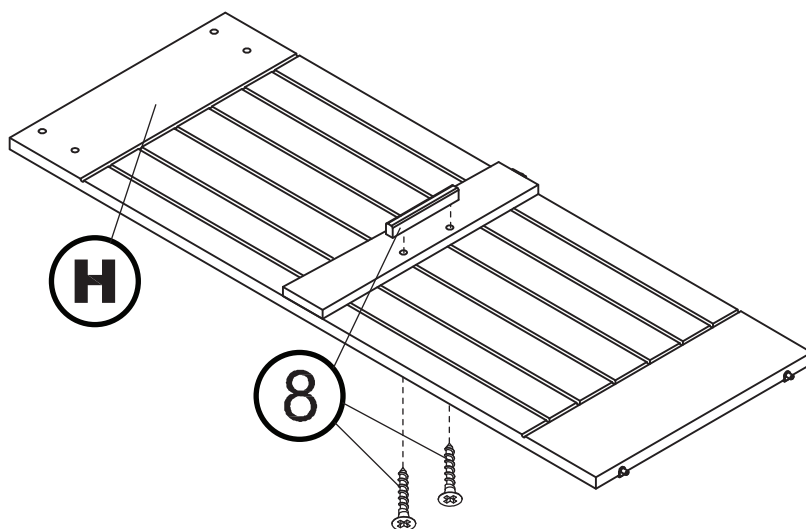


10

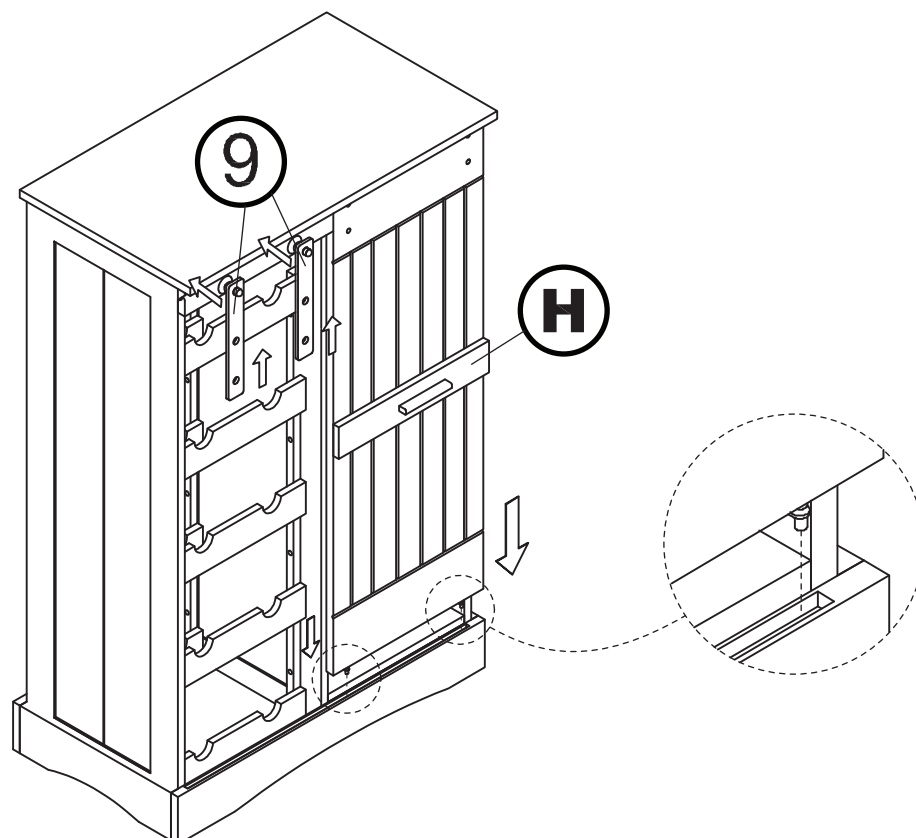


NOTE: Please read all instructions carefully before starting assembly.
 Also, we recommend that the unit is fully assembled on a level surface.
 Two people are recommended to assemble this product.
 DO NOT over torque screws and bolts.

11

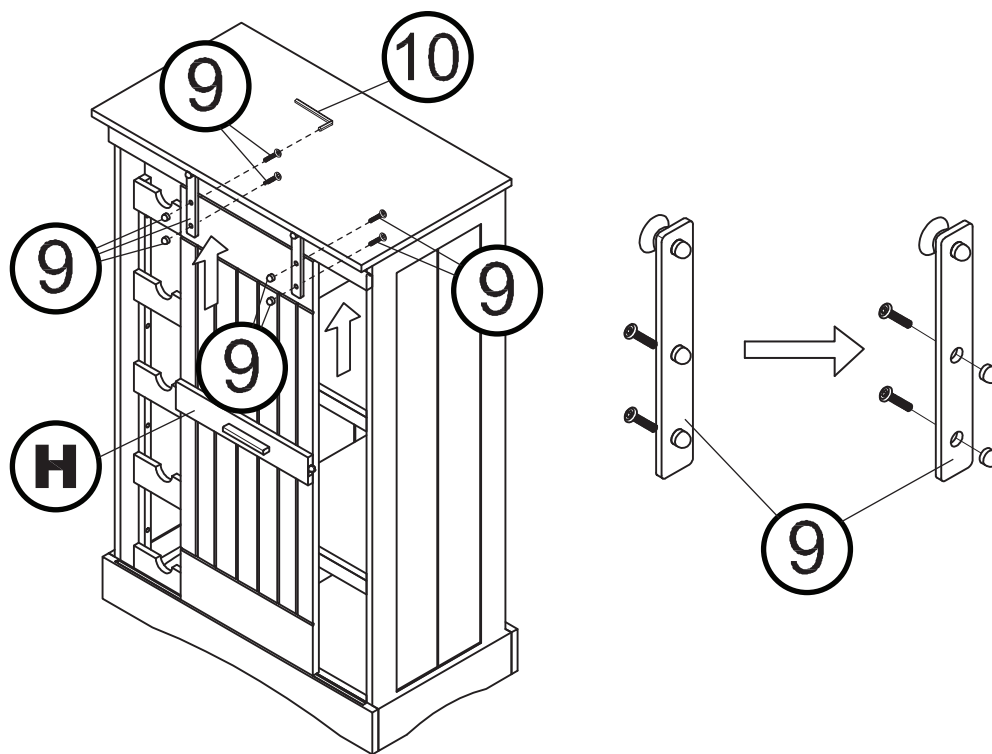


12

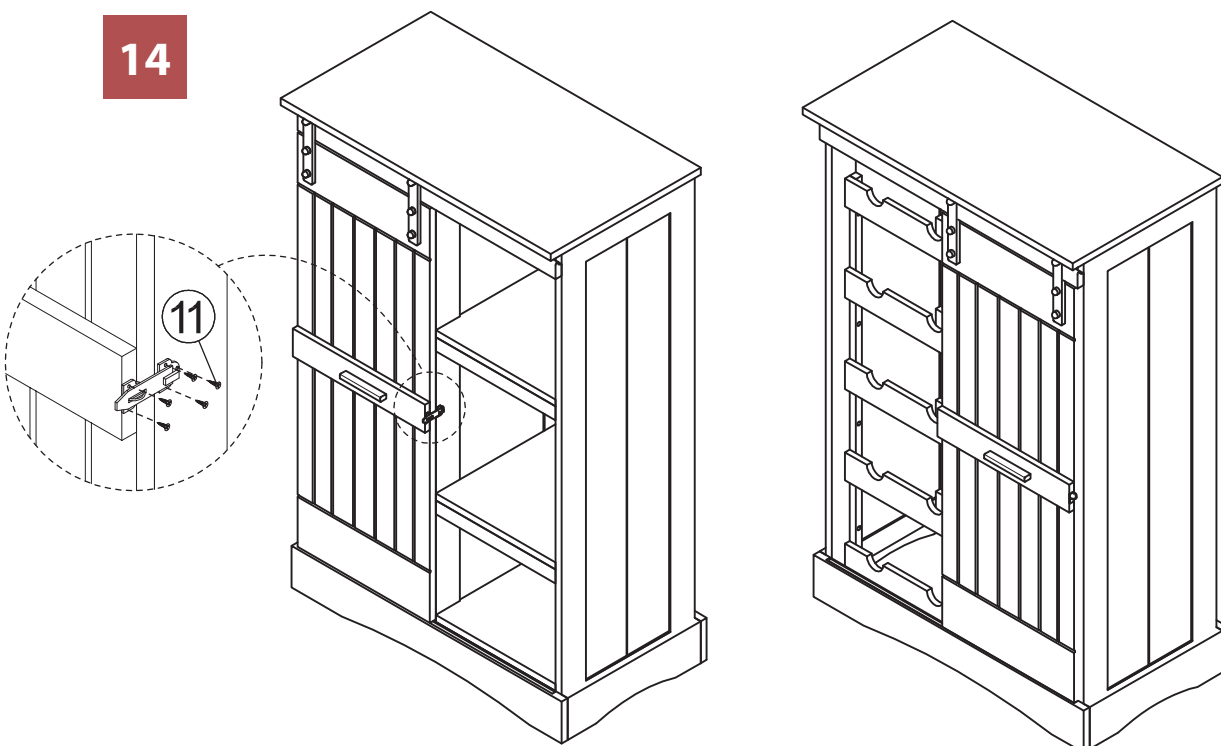


NOTE: Please read all instructions carefully before starting assembly.
Also, we recommend that the unit is fully assembled on a level surface.
Two people are recommended to assemble this product.
DO NOT over torque screws and bolts.

13



14



NOTE: Please read all instructions carefully before starting assembly.
 Also, we recommend that the unit is fully assembled on a level surface.
 Two people are recommended to assemble this product.
 DO NOT over torque screws and bolts.

Please check contents before assembly. If any items are missing or damaged, do not take the unit back to the store. Call (775) 629-5029 or email: service@merryproducts.com for customer service and we will save you time by correcting any problems directly for you.

NOTE: Please read all instructions carefully before starting assembly. Also, we recommend that the unit is fully assembled on a level surface. Two people are recommended to assemble this product. DO NOT over torque screws and bolts.