

# INSTALLATION INSTRUCTIONS

## PASSAGE™ CUSTOM SHOWER WALL SYSTEM MODELS: P2971SWT, P2974BWT

*American  
Standard*

Visit <http://www.americanstandard-us.com/passage-collection> for coordinating products.

Thank you for selecting American Standard – the benchmark of fine quality for over 100 years. To ensure this product is installed properly, please read these instructions carefully before you begin. (Certain installations may require professional help.) Also be sure your installation conforms to local codes.

### BEFORE YOU BEGIN....

Local building codes vary by location. Observe all local plumbing and building codes.

Unpack your new shower walls and inspect them carefully for damage. Verify that the walls are the correct size for your installation. Refer to American Standard roughing-in information in the spec page for specific dimensions for each model.

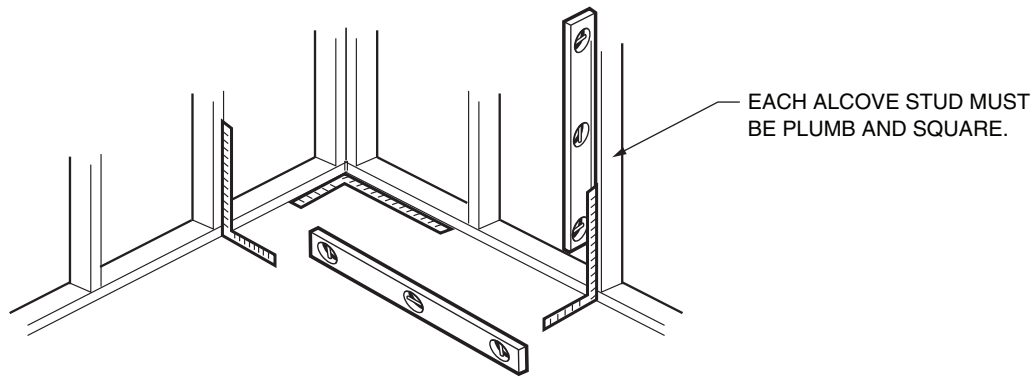
**NOTE:** Take extra care in handling the front surfaces of the walls. Use only non-abrasive cloths to avoid scratching.

### REQUIRED TOOLS AND MATERIALS

TOOLS:	MATERIALS:	INCLUDED MATERIALS:
Notched Trowel	Suction Cups	x2 Tubes Adhesive
Pencil	Mineral Spirits	x1 Tube Color Matched Sealant
Drill		
Hole Saw or		
Circular Saw		
Tape Measure		
Caulking Gun		
Level		
Square		

**PREPARATION:** Must be installed over SHEETROCK/GREENBOARD or CEMENT/CONCRETE.

Illustration 1



#### A) WALL SURFACE PREPARATION

Ensure wall surface is dry, smooth, and free of dust, soap scum, mold or other contaminants. Wipe wall surfaces with a damp cloth and allow to dry.

Wall surface must be dry before panels can be applied.

Ensure that alcove is plumb and square. (Illustration 1)

#### INSTALLATION over OLD TILE

Rough up glossy tile surfaces using belt sander with 60-grit sandpaper.

Surface must be dry, smooth and free of any dust or any other contaminants.

Wipe wall surfaces with a damp cloth and allow to dry.

#### B) ROUGH PLUMBING & FITTINGS MUST BE INSTALLED BEFORE WALLS

Turn off hot & cold water supplies.

Remove faucet handles, escutcheons, filler spouts and any other fixtures & fittings (e.g. towel bars, soap dishes, etc.).

Use hammer & chisel to remove objects cemented to walls.

Old ceramic tiles, if solidly adhered to walls, need not be removed.

Loose ceramic tiles must be removed and sub walls sanded smooth.

#### C) IF YOU PLAN TO INSTALL A SHOWER DOOR

Follow manufacturer's instructions and prepare stud wall accordingly.

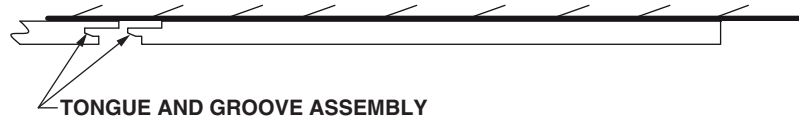
# 1

## DRY FITTING THE TONGUE AND GROOVE PANELS ON THE WALL

- 1) Dry fit the panels starting with the rear most panels first. Keep a 1/8" (5mm) gap above the tub deck or shower base for all panels. When connecting several panels together, panels use a tongue and groove system to connect to each other.  
**See Illustration 2.**

**NOTE: The use of suction cups will aid in the handling and installation of the shower wall panels.**

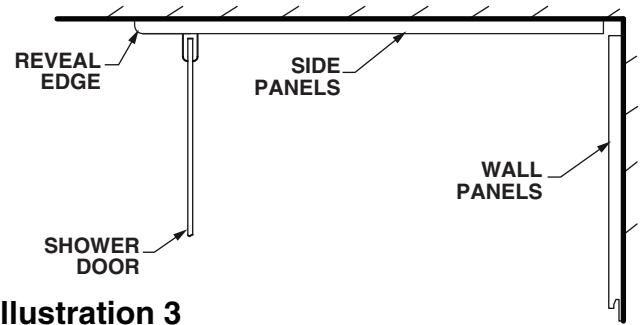
**Illustration 2**



- 2) Dry fit the 2 side panels next. On one side of the panel is a finished or reveal edge that can be installed on the outside or entrance edge of the shower to give a finished look not requiring standard wall trim.

**See Illustration 3.**

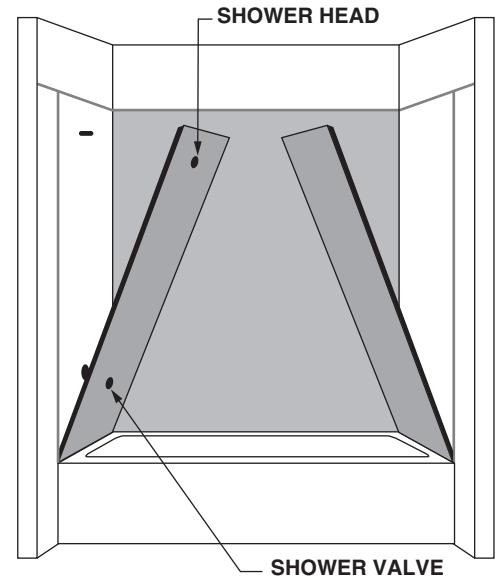
If the wall or tub is out of square, trim or cut from bottom edge of side panels so that the top edge of the panels are level with the top edge of the back panels.



**Illustration 3**

- 3) Once both side panels are properly dry fitted, mark all plumbing locations where shower valves or shower heads come through the side panel. Drill holes at each location using hole saws large enough to accommodate the opening but small enough to be covered by the trim plates, then apply color matched sealant around trim plate. Drill from the finished side.

**See Illustration 4.**



**Illustration 4**

# 2

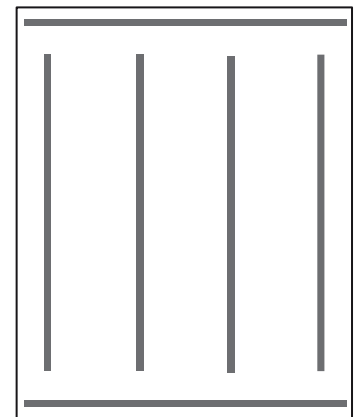
## APPLYING ADHESIVE TO DRYWALL AND TONGUE AND GROOVE PANELS

**NOTE: DO ONLY ONE WALL AT A TIME.**

- 1) Wipe all back side of panels and walls with a damp cloth to remove any dust or debris and allow to fully dry.
- 2) Starting with the rear or back panels first, apply adhesive on the dry wall in 4 evenly spaced vertical strips for each panel top to bottom.

**See illustration 5.**

Then apply one row of adhesive horizontally across the top and one near the bottom. Also apply the "Color Matched" adhesive directly to both tongue and groove of the panels.



**Illustration 5**

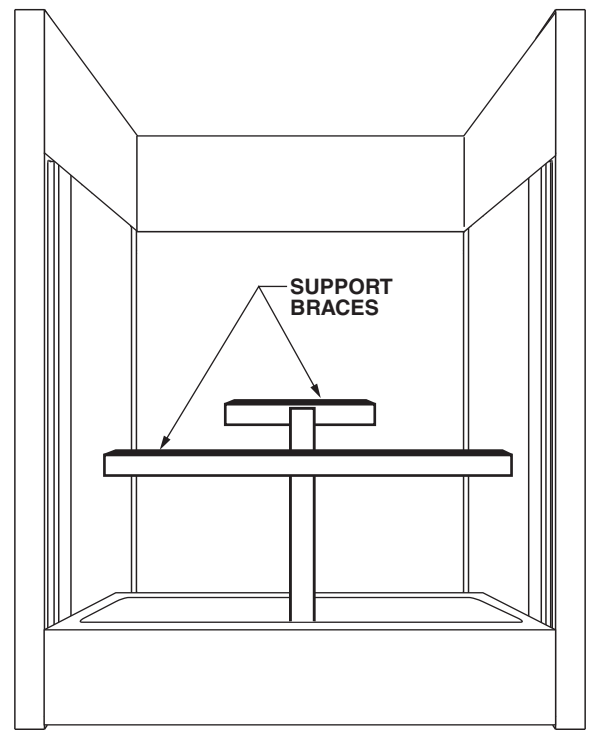
- 3) With the aid of suction cups, move first rear panel onto the wall keeping a space of approximately 1/8" (5mm) off the surface of the tub deck or shower base. Press panel firmly over entire surface to ensure firm contact of panel to adhesive on wall.

**NOTE: It may be necessary to brace or support the panels against the wall until the panels stay securely in place.**

See illustration 6.

- 4) Apply adhesive as in Step 2 and place second rear panel on wall and snap into place of the tongue and groove of the first panel keeping approximately 1/8" (5mm) gap between bottom of panel and tub. Do not force or tap the groove edge to close the joint. Press firmly over entire area of panel to securely hold in place. Wipe any excessive adhesive that comes out between the tongue and groove with mineral spirits.
- 5) Apply side panels in the same manor keeping the finished, reveal edge to the outside or entrance of the tub or shower pan using the same adhesive pattern. Provide a gap of approximately 1/8" (2mm) in the corners between the side and rear panels to accommodate adhesive. Wipe off any excessive adhesive with mineral spirits.

**Illustration 6**



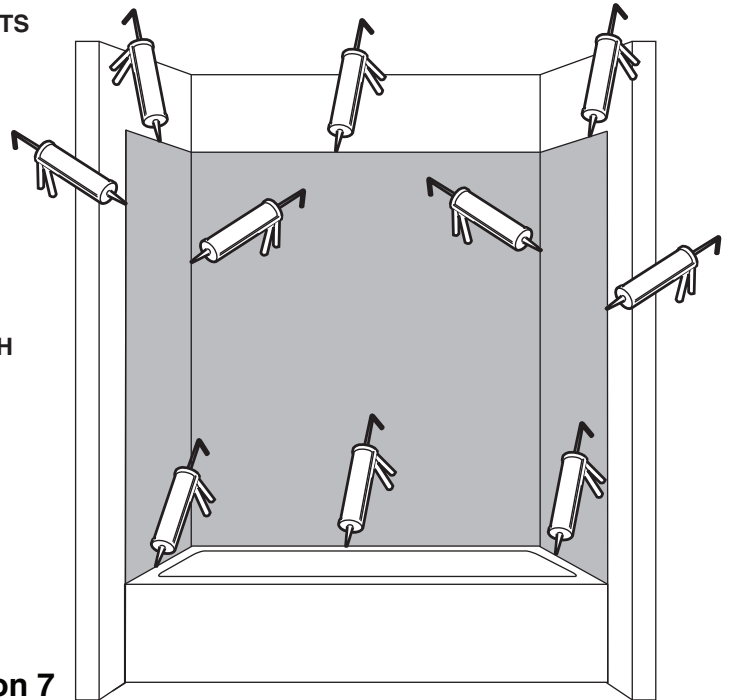
### **3** APPLYING COLOR MATCHED SEALANT FOR SEAMS AND JOINTS

**NOTE: Color Matched Sealant is colored or matched to the approximate color of panel being installed. This helps ensure sealant is not as visible.**

- 1) Once all panels are securely in place and set, apply the Color Matched sealant to all corners, seams between panels and gaps between bottom panels and tub.  
See Illustration 7.

**NOTE: WIPE ANY EXCESS ADHESIVE FROM THE PANEL WITH MINERAL SPIRITS.**

**Illustration 7**



### **4** INSTALLING SHOWER HANDLE & SHOWER HEAD

- 1) Install the shower handle and shower head per the manufacturer's instructions. Be sure to apply sealant to all trim plates.

**NOTE: Allow 24 hours for the sealant to dry before use.**

### **5** INSTALLING SHOWER SHELVES

Follow manufacturer's instructions.

**IMPORTANT:** Apply color matched sealant over the threads of mounting screws AND around outside of each wall anchor to seal out moisture and water. The shelf/shelves must be supported to the wall behind the Passage wall panel. The Passage wall itself must not support the weight of the shelf/shelves.

- 6** Install the shower door or shower curtain rod according to the manufacturer's instructions.

## POST INSTALLATION CLEAN-UP

Remove all construction debris. Tile grout can be removed with a wooden popsicle stick or tongue depressor. Do not use wire brushes or any other metal implement on surface.

Post installation clean-up generally can be completed using warm water and liquid dishwashing detergent. Stubborn dirt or stains may be removed using granular Spic and Span® mixed with water.

Painter's naphtha can be used to remove excess adhesives and/or wet oil-base paint.

## AFTERCARE and CLEANING

**⚠ WARNING:** Cleaning products with labels that say "not suitable for use with ABS, acrylic or polystyrene" **SHOULD NOT BE USED.** Read all labels carefully.

- Excessively hot water may cause surface damage.
- **HARSH CHEMICALS SHOULD NEVER BE USED ON SHOWER WALL SURFACE.** Clean after use with a mild liquid household detergent cleaner. Do not use Lestoil®, Lysol® Disinfectant (spray or concentrate), or Lysol® Basin, Tub and Tile Cleaner, Windex®, Mr. Clean®, Dow® Disinfectant Bathroom Cleaner, or cleaning products in aerosol cans.
- Do not use wire brushes, knives or sharp objects to remove stains, cigarette tar deposits, or other surface blemishes.
- Abrasive cleaners or powders must not be used, since they will dull the surface. If the glossy surface loses its sheen, dulled areas or light scratches can be restored by rubbing with a white "automotive type" polishing compound and waxing with a "liquid wax."
- **Do not wax areas where you walk or stand.**
- Do not allow nail polish remover, acetone, dry cleaning fluid, paint remover or other solvents to come into contact with the surface.
- Clean the surrounding surface immediately after using caustic drain cleaners.
- Burning cigarettes will damage the surface.
- Should damage to the fixture occur, repairs can be made quickly and easily. Your distributor or builder can provide details.

## AS America, Inc. 10 Year Limited Warranty for PASSAGE Bath Walls

AS America, Inc. ("American Standard") warrants to the original consumer purchaser that it will, at its option, repair or replace these walls or any of its parts that are found by American Standard, in its sole judgment, to be defective under normal residential use and maintenance so long as it is owned by the original consumer purchaser.

To activate this limited warranty, the purchaser must go online to our website at [www.americanstandard-us.com/warranty](http://www.americanstandard-us.com/warranty) to register their bath walls within thirty (30) days of purchase.

In no event will American Standard be liable for the cost of repair or replacement of any installation materials including but not limited to tiles, marble etc.

This limited warranty DOES NOT COVER the following:

1. Defects or damages arising from shipping, installation, alterations, accidents, abuse, misuse, lack of proper maintenance and cleaning as directed in the owner's manual and use of other than genuine American Standard replacement parts, in all cases whether caused by a plumbing contractor, service company, the owner or any other person.
2. Deterioration through normal wear and tear and the expense of normal maintenance.
3. Commercial application.
4. Options and accessories. American Standard's limited warranty on these items is one year for parts only and excludes labor. This one year limited warranty covers accessories manufactured by American Standard (e.g. aprons, drains, grab bars, heaters, trim kits) against defects of material or workmanship. Warranty coverage begins on the date the accessory was originally purchased by the owner.
5. Postage or shipping costs for returning products for repairs or replacement under this limited warranty and labor or other costs incurred in connection with product removal or installation under this limited warranty.
6. ANY LIABILITY FOR CONSEQUENTIAL OR INCIDENTAL DAMAGES, ALL OF WHICH ARE HEREBY EXPRESSLY DISCLAIMED, OR THE EXTENSION BEYOND THE DURATION OF THIS LIMITED WARRANTY OF ANY IMPLIED WARRANTIES, INCLUDING THOSE OF MERCHANTABILITY OR FITNESS FOR AN INTENDED PURPOSE. (Some jurisdictions do not allow limitations on how long an implied warranty lasts, or the exclusion or limitation of incidental or consequential damages, so these limitations and exclusions may not apply to you.)
7. Responsibility for compliance with local code requirements. (Since local code requirements vary greatly distributors, retailers, dealers, installation contractors and users of plumbing products should determine whether there are any code restrictions on the installation or use of a specific product.)

This warranty gives you specific legal rights. You may have other legal rights that vary from state to state. For service under this warranty, you should contact the following:

### **In the United States:**

American Standard Brands  
1 Centennial Ave  
Piscataway, New Jersey 08854  
Attention: Director of Consumer Affairs

For residents of the United States, warranty information may also be obtained by calling the following toll free number: (800) 442-1902  
[www.americanstandard.com](http://www.americanstandard.com)

### **In Canada:**

AS Canada ULC  
5900 Avebury Rd.  
Mississauga, Ontario  
Canada L5R 3M3  
Toll Free: (800) 387-0369  
[www.americanstandard.ca](http://www.americanstandard.ca)

### **In Mexico:**

American Standard B&K Mexico  
S. de R.L. de C.V.  
Via Morelos #330  
Col. Santa Clara  
Ecatepec 55540 Edo. Mexico  
Toll Free: 01-800-839-1200  
[www.americanstandard.com.mx](http://www.americanstandard.com.mx)

# INSTRUCCIONES DE INSTALACIÓN

American  
Standard

## SISTEMA PERSONALIZADO DE PAREDES DE DUCHA PASSAGE™

MODELOS: P2971SWT, P2974BWT

Visite <http://www.americanstandard-us.com/passage-collection> para ver los productos que hacen juego.

Gracias por elegir American Standard, el parámetro de excelente calidad por más de 100 años. Para asegurar que este producto se instale de manera adecuada, lea las instrucciones con atención antes de comenzar. (Para algunas instalaciones puede necesitarse ayuda profesional). Realice la instalación de conformidad con los códigos locales.

### ANTES DE COMENZAR...

Los códigos de construcción varían de un lugar a otro. Respete todos los códigos locales de edificación y plomería.

Desempaque sus nuevas paredes de ducha y fíjese atentamente que no estén dañadas. Verifique que las paredes sean del tamaño correcto para su instalación. Consulte la información de preparación de American Standard en la página de especificaciones para obtener las dimensiones específicas de cada modelo.

**NOTA:** Tenga mucho cuidado al manipular las superficies frontales de las paredes. Use únicamente paños no abrasivos para evitar los rayones.

### HERRAMIENTAS Y MATERIALES NECESARIOS

**HERRAMIENTAS:** Espátula dentada  
Lápiz  
Taladro  
Sierra de perforación o  
Sierra circular

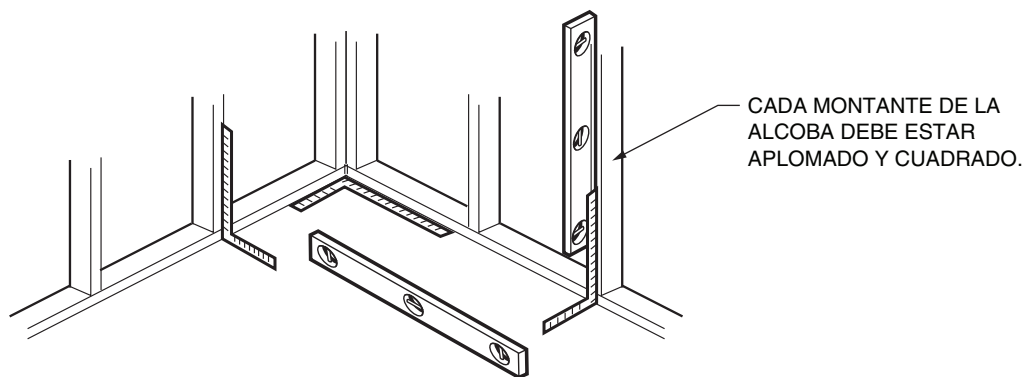
Cinta métrica  
Pistola de calafateo  
Nivel  
Escuadra

**MATERIALES:**  
Ventosas  
Alcoholes minerales

**MATERIALES INCLUIDOS:**  
2 tubos de adhesivo  
1 tubo de sellador de un color similar

### PREPARACIÓN: Debe instalarse sobre PANEL DE YESO/PANEL VERDE o CEMENTO/CONCRETO.

Ilustración 1



#### A) PREPARACIÓN DE LA SUPERFICIE DE LA PARED

Asegúrese de que la superficie de la pared esté seca, lisa y libre de polvo, residuos de jabón, moho u otros contaminantes. Limpie las superficies de la pared con un paño húmedo y deje secar.

La superficie de la pared debe estar seca antes de aplicar los paneles.

Asegúrese de que la alcoba esté aplomada y cuadrada. (Ilustración 1)

#### INSTALACIÓN sobre AZULEJOS VIEJOS

Lije las superficies de los azulejos brillantes con una lijadora de correa con una lija de 60 granos.

La superficie debe estar seca, lisa y libre de polvo o cualquier otro contaminante.

Limpie las superficies de la pared con un paño húmedo y deje secar.

#### B) LA PLOMERÍA Y CONEXIONES BÁSICAS DEBEN INSTALARSE ANTES DE LAS PAREDES

Apague los suministros de agua caliente y fría.

Retire las manijas de la llave, chapetones, picos de la salida y otros accesorios (por ejemplo, toalleros, jaboneras, etc.).

Use un martillo y un cincel para retirar los objetos cementados en las paredes.

No necesita retirar los azulejos de cerámica viejos, si están bien adheridos a las paredes.

Debe retirar los azulejos de cerámica sueltos y lijar las medias paredes hasta que queden lisas.

#### C) SI PLANEA INSTALAR UNA PUERTA DE DUCHA

Siga las instrucciones del fabricante y prepare la pared de entramado como corresponda.

# 1

## INSTALAR EN SECO LOS PANELES DE LA LENGÜETA Y LA RANURA EN LA PARED

- 1) Instale en seco los paneles. Comience con los paneles posteriores. Mantenga una brecha de 1/8" (5 mm) por encima de la superficie de la tina o la base de la ducha para todos los paneles. Para conectar varios paneles, se usa un sistema de lengüetas y ranuras.

Ver la ilustración 2

**NOTA:** Use ventosas para manipular e instalar los paneles de la pared de la ducha.

Ilustración 2



- 2) Luego instale en seco los dos paneles laterales. En un lado del panel hay un borde terminado que puede instalarse en el borde exterior o de entrada de la ducha para dar un aspecto terminado sin necesidad de usar una decoración de pared estándar.

Ver la ilustración 3

Si la pared o la tina está desalineada, corte el borde inferior de los paneles laterales para que el borde superior de los paneles esté nivelado con el borde superior de los paneles posteriores.

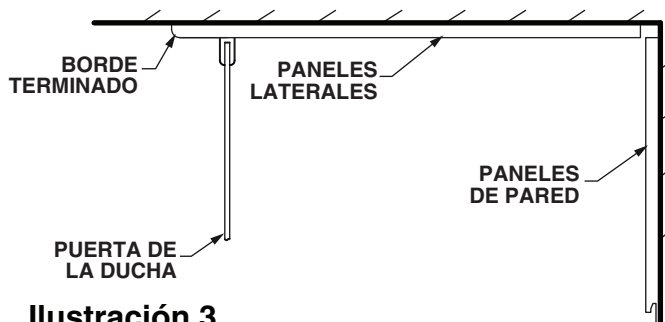


Ilustración 3

- 3) Una vez que ambos paneles laterales estén bien instalados en seco, marque todas las ubicaciones de las tuberías donde las válvulas o cabezas de ducha atraviesan el panel lateral. Taladre orificios en cada lugar usando una sierra de perforación lo suficientemente grande para la apertura pero lo suficientemente pequeña como para ser cubierta por las placas decorativas, luego aplique adhesivo color similar directamente en de los paneles decorativas. Taladre desde el lado terminado.

Ver la ilustración 4

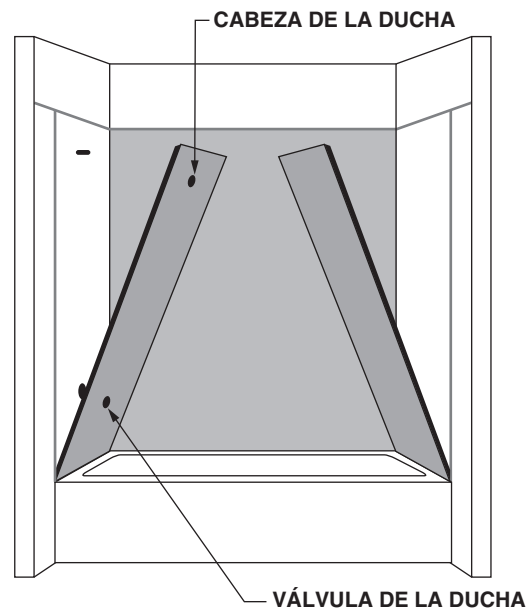


Ilustración 4

# 2

## APLICAR ADHESIVO A LA PLACA DE YESO Y LOS PANELES DE LA LENGÜETA Y LA RANURA

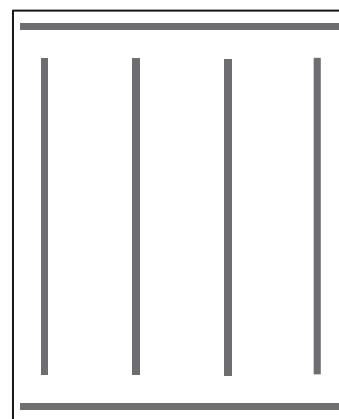
**NOTA:** TRABAJE EN UNA PARED POR VEZ.

- 1) Limpie todos los lados posteriores de los paneles y las paredes con un paño húmedo para retirar el polvo o suciedad. Deje secar bien.
- 2) Empiece con los paneles posterior o trasero y aplique adhesivo sobre la placa de yeso en 4 tiras verticales espaciadas uniformemente para cada panel de arriba a abajo.

Ver la ilustración 5

Luego aplique una fila de adhesivo horizontalmente a lo largo de la parte superior y otra cerca de la parte inferior. También aplique adhesivo de un "color similar" directamente en la lengüeta y ranura de los paneles.

Ilustración 5

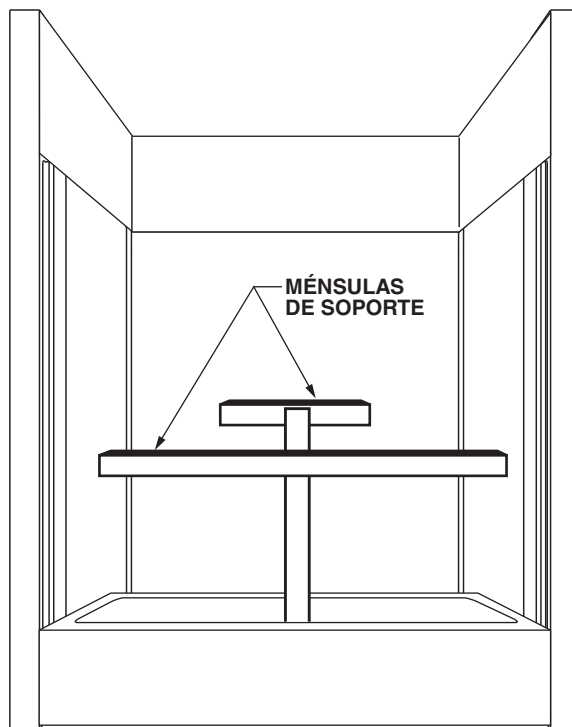


- 3) Con la ayuda de ventosas, mueva el primer panel posterior hacia la pared. Mantenga un espacio de aproximadamente 1/8" (5 mm) de la superficie de la tina o la base de la ducha. Presione el panel firmemente sobre toda la superficie para asegurar un contacto firme del panel con el adhesivo en la pared.

**NOTA: Puede ser necesario colocar una ménsula o soporte para sostener los paneles contra la pared hasta que estén fijados en su lugar.**

Ver la ilustración 6

- 4) Aplique adhesivo como en el paso 2. Coloque el segundo panel posterior en la pared y encájelo en la lengüeta y ranura del primer panel. Mantenga aproximadamente una brecha de 1/8" (5 mm) entre la parte inferior del panel y la tina. No fuerce ni le dé golpecitos al borde de la ranura para cerrar la junta. Presione firmemente sobre toda la superficie del panel para sostenerlo bien en su lugar. Limpie el exceso de adhesivo que sale entre la lengüeta y la ranura usando alcoholes minerales.
- 5) Aplique los paneles laterales de la misma manera. Mantenga el borde terminado hacia afuera o la entrada de la tina o la base de la ducha usando el mismo patrón adhesivo. Deje una brecha de aproximadamente 1/8" (2 mm) en las esquinas entre los paneles lateral y posterior para colocar el adhesivo. Limpie el exceso de adhesivo con alcoholes minerales.



**Ilustración 6**

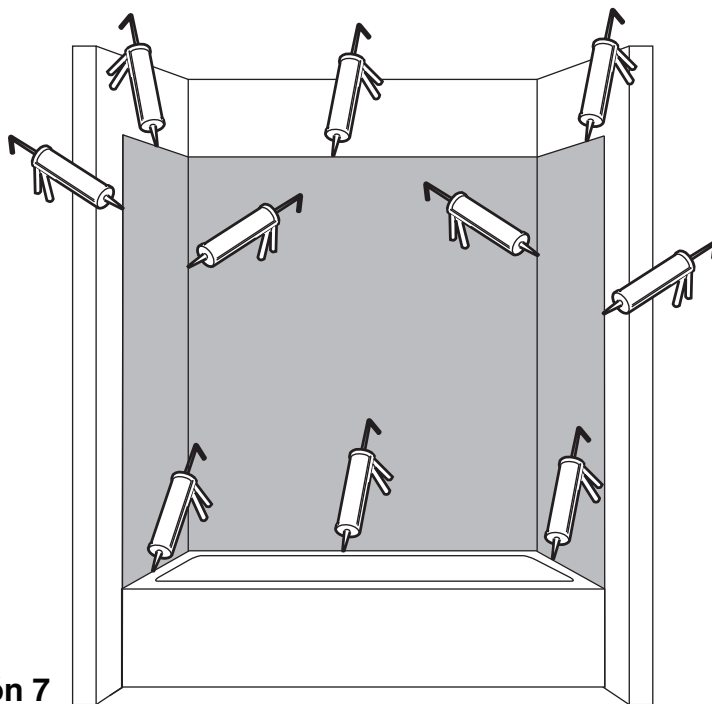
### **3 APLICAR SELLADOR DE UN COLOR SIMILAR A LAS SOLDADURAS Y JUNTAS**

**NOTA: El sellador de un color similar tiene el color aproximado del panel que se instala. Esto es para evitar que se vea el sellador.**

- 1) Una vez que todos los paneles están bien en su lugar e instalados, aplique el sellador de color similar a todas las esquinas, soldaduras entre los paneles y brechas entre los paneles inferiores y la tina.

Ver la ilustración 7

**NOTA: LIMPIE EL EXCESO DE ADHESIVO DEL PANEL USANDO ALCOHOLES MINERALES.**



**Ilustración 7**

### **4 INSTALAR LA MANIJA Y LA CABEZA DE LA DUCHA**

- 1) Instale la manija y la cabeza de la ducha según las instrucciones del fabricante. Aplique sellador a todas las placas decorativas.

**NOTA: Deje pasar 24 horas para que se seque el sellador antes de usar.**

### **5 INSTALACIÓN DE ESTANTES PARA DUCHA**

Siga las instrucciones del fabricante.

**IMPORTANTE:** Aplique sellador de color similar sobre las roscas de los tornillos de montaje Y alrededor del exterior de cada anclaje de pared para sellar e impedir que pase humedad y agua. El/los estante(s) debe(n) estar apoyado(s) en la pared detrás del panel de la pared de Pasaje. La pared de Pasaje en sí no debe soportar el peso del/de los estante(s).

- 6) Instale la puerta de la ducha o la varilla para la cortina de la ducha según las instrucciones del fabricante.

## LIMPIEZA POSTERIOR A LA INSTALACIÓN

Retire todos los desechos de construcción. La lechada de los azulejos puede retirarse usando un palito de paleta o un abate lengua de madera. No utilice cepillos de alambre ni otro implemento de metal sobre la superficie.

La limpieza posterior a la instalación generalmente puede realizarse usando agua tibia y detergente líquido para vajilla. La suciedad o manchas rebeldes pueden limpiarse usando Spic and Span® granular mezclado con agua.

Puede utilizarse nafta de pintor para retirar el exceso de adhesivo y/o pintura a base de aceite húmeda.

## CUIDADO y LIMPIEZA

**⚠ ADVERTENCIA:** Los productos de limpieza cuyas etiquetas indiquen "no adecuado para usar con ABS, acrílico o poliestireno" **NO DEBEN USARSE.** Lea todas las etiquetas con atención.

- El agua demasiado caliente puede dañar la superficie.
- **NUNCA USE SUSTANCIAS QUÍMICAS ABRASIVAS EN LA SUPERFICIE DE LA PARED DE LA DUCHA.** Después del uso, limpie con un detergente doméstico líquido suave. No use Lestoil®, desinfectante Lysol® (rociador o concentrado), limpiador para lavabos, bañera y azulejos Lysol®, Windex®, Mr. Clean®, limpiador para baño desinfectante Dow® ni productos de limpieza en latas de aerosol.
- No use cepillos de alambre, cuchillos ni objetos filosos para quitar manchas, depósitos de alquitrán de cigarrillo ni otras manchas en la superficie.
- No deben usarse polvos o limpiadores abrasivos, ya que opacan la superficie. Si la superficie brillante pierde su lustre, las áreas opacas o los rayones leves pueden arreglarse frotando un compuesto de pulido blanco "tipo automotor" y encerando con una "cera líquida".
- **No encere las zonas donde camina o está de pie.**
- No permita que el quitaesmalte, la acetona, el fluido de limpieza en seco, el removedor de pintura u otros solventes entren en contacto con la superficie.
- Limpie la superficie circundante inmediatamente después de haber usado un limpiador de desagüe cáustico.
- Quemar cigarrillos dañará la superficie.
- Si se daña la grifería, se podrá reparar rápido y fácilmente.  
Consulte a su distribuidor o constructor para obtener los detalles.

## AS America, Inc. - Garantía Limitada de 10 Años para Paredes de Bañera PASSAGE

AS America, Inc. ("American Standard") garantiza al comprador consumidor original que, a opción del primero, reparará o reemplazará estas paredes o cualquiera de sus partes que American Standard, a su única discreción, considere defectuosas en condiciones de uso y mantenimiento residencial normal siempre y cuando sea la propiedad del comprador consumidor original.

Para activar esta garantía limitada, el comprador debe visitar nuestro sitio web en línea en [www.americanstandard-us.com/warranty](http://www.americanstandard-us.com/warranty) para registrar sus paredes de ducha dentro de los treinta (30) días de efectuada la compra.

American Standard no será responsable en ningún caso del costo de la reparación o del reemplazo de ningún material de instalación incluyendo, sin limitación, los azulejos, el mármol, etc.

Esta garantía limitada **NO CUBRE** lo siguiente:

1. Los defectos o daños que surjan del envío, la instalación, las modificaciones, los accidentes, el abuso, el uso incorrecto o la falta de mantenimiento y limpieza adecuados tal como se indica en el manual del propietario, así como el uso de refacciones que no sean American Standard auténticas, en todos los casos ya sea causado por un plomero contratista, una empresa de servicios, el propietario o cualquier otra persona.
2. El deterioro producto del desgaste normal y el costo del mantenimiento normal.
3. La aplicación comercial.
4. Las opciones y los accesorios. La garantía limitada de American Standard sobre estos artículos es de un año para las piezas únicamente y excluye la mano de obra. Esta garantía limitada de un año cubre los accesorios fabricados por American Standard (p. ej. faldones, desagües, barras de sujeción, calentadores, juegos de accesorios) por defectos en el material o la mano de obra. La cobertura de la garantía comienza en la fecha en que el propietario compró originalmente el accesorio.
5. Los gastos de correo o envío por la devolución de productos para su reparación o reemplazo bajo esta garantía limitada y la mano de obra u otros gastos realizados en relación con el retiro o la instalación del producto bajo esta garantía limitada.
6. **TODA RESPONSABILIDAD POR DAÑOS Y PERJUICIOS EMERGENTES O INCIDENTALES QUEDA EXPRESAMENTE DESLINDADA POR EL PRESENTE, O LA PRÓRROGA MÁS ALLÁ DEL PLAZO DE ESTA GARANTÍA LIMITADA DE CUALQUIER GARANTÍA IMPLÍCITA, INCLUYENDO LAS GARANTÍAS DE COMERCIABILIDAD O APTITUD PARA UN FIN DETERMINADO.** (Algunas jurisdicciones no permiten limitaciones a la duración de una garantía implícita, o la exclusión o limitación de daños y perjuicios incidentes o emergentes, por lo cual estas limitaciones y exclusiones podrán no aplicarse a su caso.)
7. Responsabilidad por el cumplimiento de los requisitos de los códigos locales. (Debido a que los requisitos de los códigos locales varían mucho, los distribuidores, minoristas, concesionarios, contratistas de instalación y usuarios de productos de plomería deben determinar si existen restricciones de código sobre la instalación o el uso de un producto específico.)

Esta garantía le otorga derechos legales específicos. Podrá tener otros derechos legales que varían según el estado. Para obtener un servicio cubierto por esta garantía, comuníquese con:

### En Estados Unidos:

American Standard Brands  
1 Centennial Ave  
Piscataway, New Jersey 08854  
Attention: Director of Consumer Affairs

Los residentes de Estados Unidos también pueden obtener información sobre la garantía llamando al siguiente número gratuito: (800) 442-1902  
[www.americanstandard.com](http://www.americanstandard.com)

### En Canadá:

AS Canada ULC  
5900 Avebury Rd.  
Mississauga, Ontario  
Canadá L5R 3M3

Número gratuito: (800) 387-0369  
[www.americanstandard.ca](http://www.americanstandard.ca)

### En México:

American Standard B&K Mexico  
S. de R.L. de C.V.  
Vía Morelos #330  
Col. Santa Clara

Ecatepec 55540 Estado de México  
Número gratuito: 01-800-839-1200  
[www.americanstandard.com.mx](http://www.americanstandard.com.mx)



# INSTRUCTIONS D'INSTALLATION

## PASSAGE<sup>MC</sup> SYSTÈME DE PANNEAUX DE DOUCHE SUR MESURE

### MODÈLES : P2971SWT, P2974BWT

*American Standard*

Pour trouver des produits associés, visitez <http://www.americanstandard-us.com/passage-collection>

Merci d'avoir choisi American Standard, la référence en matière de qualité depuis plus de 100 ans. Afin de garantir une installation adéquate, veuillez lire ces instructions attentivement avant de commencer. (Certaines installations peuvent requérir l'aide d'un professionnel.) De plus, assurez-vous que votre installation est en conformité avec les codes locaux.

#### AVANT DE COMMENCER...

**Les codes de construction locaux varient en fonction des lieux. Renseignez-vous sur tous les codes de plomberie et codes de construction.**

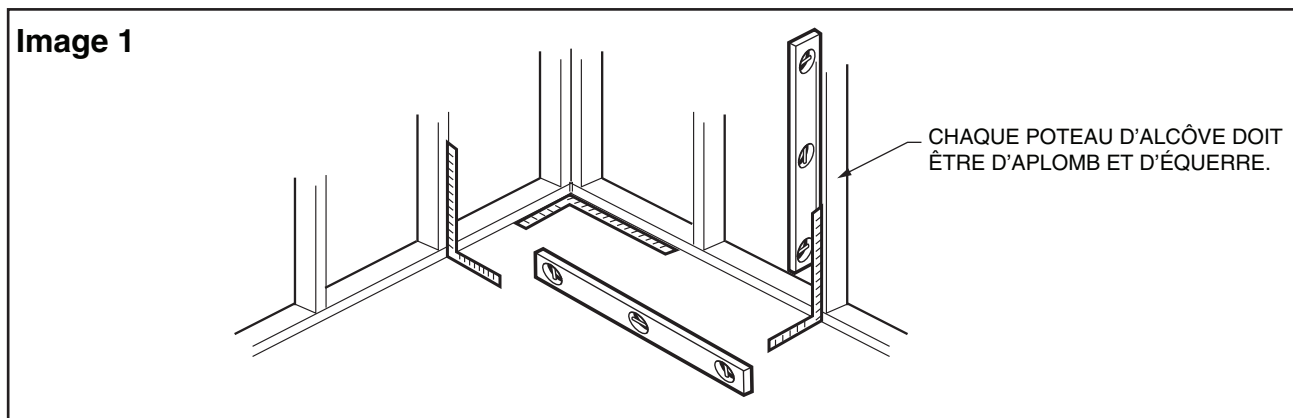
Déballer vos nouveaux panneaux de douche et vérifiez avec attention qu'ils n'ont subi aucun dommage. Vérifiez que la taille des panneaux correspond à votre installation. Consultez les informations d'installation American Standard à la page de spécifications pour connaître les dimensions spécifiques à chaque modèle.

**REMARQUE : Manipuler avec une grande précaution les surfaces frontales des panneaux. Utiliser uniquement des linges non abrasifs pour éviter les rayures.**

### OUTILS ET ÉQUIPEMENT NÉCESSAIRES

OUTILS :	ÉQUIPEMENT :	MATÉRIAUX INCLUS :
Truelle brettée	Ventouses	2 tubes d'adhésif
Crayon	Essence minérale	1 tube de mastic de couleur assortie
Perceuse		
Scie-cloche ou scie circulaire		
Galon à mesurer		
Pistolet extrudeur		
Niveau		
Équerre		

**PRÉPARATION : Doit être installé sur une PLAQUE DE PLÂTRE/un TABLEAU ou du CIMENT/BÉTON**



#### A) PRÉPARATION DE LA SURFACE MURALE

S'assurer que la surface murale est sèche, lisse et n'est pas couverte de poussière, de résidus de savon, de moisissure ou d'autres contaminants. Essuyer toutes les surfaces avec un chiffon humide et laisser sécher.

La surface murale doit être sèche avant que les panneaux ne soient posés.

S'assurer que l'alcôve est d'aplomb et d'équerre. (image 1)

#### INSTALLATION sur D'ANCIENS CARREAUX

Poncer les surfaces brillantes des carreaux à l'aide d'une ponceuse à courroie et de papier de verre de grain 60.

La surface doit être sèche, lisse et ne doit pas être couverte de poussière ou d'autres contaminants.

Essuyer toutes les surfaces avec un chiffon humide et laisser sécher.

#### C) LA ROBINETTERIE ET LES RACCORDS DOIVENT ÊTRE INSTALLÉS AVANT LES PANNEAUX MURAUX

Fermer l'alimentation en eau chaude et en eau froide.

Retirer les poignées de robinet, les plaques de finition, les becs de déverseurs et toute autre pièce de garniture ou raccordement (p. ex., porte-serviettes, porte-savon, etc.).

Utiliser un marteau et un burin pour décoller les objets cimentés aux murs.

Les anciens carreaux en céramique, s'ils sont solidement accrochés aux murs, ne doivent pas être retirés.

Les carreaux détachés doivent être retirés et les murs poncés.

#### C) SI VOUS PRÉVOYEZ INSTALLER UNE PORTE DE DOUCHE

Suivre les instructions du fabricant et préparer les montants en conséquence.

# 1

## INSTALLATION À SEC DES PANNEAUX À LANGUETTE ET RAINURE SUR LES MURS

- 1) Installer les panneaux à sec en commençant par le panneau le plus à l'arrière. Laisser un espace de 1/8 po (5 mm) au-dessus du tablier de la baignoire ou la base de la douche pour tous les panneaux. Lorsque vous reliez plusieurs panneaux, utiliser un système de rainure et languette pour les relier.  
**Voir image 2.**

**REMARQUE :** L'utilisation de ventouses aidera à la manipulation et l'installation des panneaux de douche muraux.

Image 2



- 2) Procéder ensuite à l'installation à sec des deux panneaux. Sur un côté du panneau se trouve un côté fini ou exposé qui peut être installé sur l'extérieur ou l'entrée de la douche pour donner un aspect fini et éviter l'utilisation d'une garniture murale normale.  
**Voir image 3.**

Si le mur ou la baignoire n'est pas cadré, couper ou tailler à partir du bord inférieur des panneaux latéraux pour que le bord supérieur des panneaux soit aligné avec le bord supérieur des panneaux arrière.

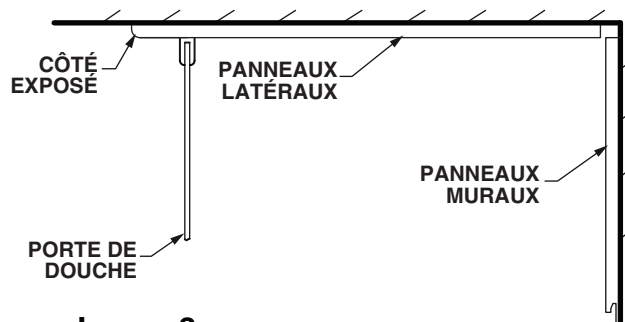


Image 3

- 3) Une fois que les panneaux latéraux sont installés correctement, marquer tous les emplacements de plomberie où les robinets de douche ou les pommes de douche traverseront le panneau latéral. Percer des trous suffisamment grands à chaque emplacement à l'aide d'une scie-cloche pour permettre l'ouverture, mais suffisamment petits pour être couverts par les plaques de garniture, ensuite, appliquez un scellant de couleur assortie autour de la plaque de garniture. Percer depuis le côté fini.

**Voir image 4.**

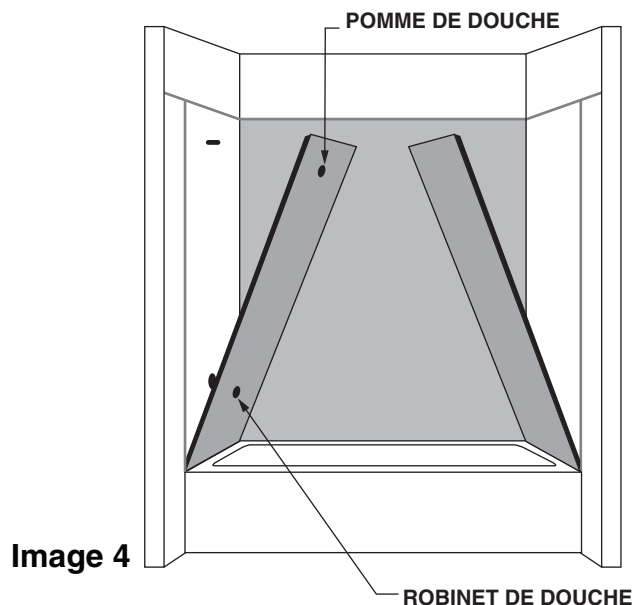


Image 4

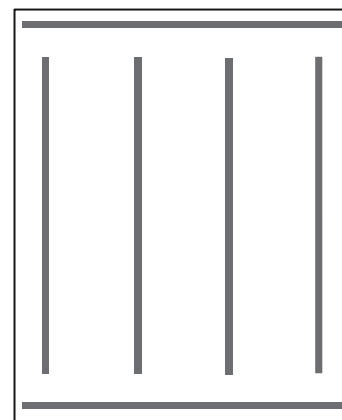
# 2

## APPLIQUER L'ADHÉSIF SUR LES CLOISONS SÈCHES ET LES PANNEAUX À LANGUETTE ET RAINURE

**REMARQUE :** INSTALLER UN MUR À LA FOIS.

- 1) Essuyer toutes les faces arrière des panneaux et murs avec un chiffon humide pour éliminer toute poussière ou tout débris et laisser sécher complètement.
- 2) Commencer avec les panneaux arrière, appliquer l'adhésif sur la cloison sèche en quatre bandes verticales espacées équitablement pour chaque panneau de haut en bas.  
**Voir image 5.**

Appliquer ensuite une rangée d'adhésif horizontalement le long de la partie supérieure et une au bord de la partie inférieure. Appliquer également l'adhésif « de couleur assortie » directement sur la languette et la rainure des panneaux.



- 3) À l'aide des ventouses, déplacer le premier panneau arrière sur le mur en laissant un espace d'environ 1/8 po (5 mm) de la surface du tablier de la baignoire ou la base de la douche. Appuyer fermement sur le panneau et sur la surface complète pour assurer un contact ferme entre le panneau et l'adhésif sur le mur.

**REMARQUE : Il peut être nécessaire d'installer un support ou un renfort pour les panneaux contre le mur jusqu'à ce qu'ils tiennent fermement en place.**

Voir image 6.

- 4) Appliquer l'adhésif comme à l'étape 2 et placer le second panneau arrière sur le mur et le fixer à l'emplacement du système de languette et rainure du premier panneau en laissant un espace d'environ 1/8 po (5 mm) entre le bas du panneau et la baignoire. Ne pas forcer ou taper sur le bord rainuré pour fermer le joint. Appuyer fermement sur la surface complète du panneau pour le fixer. Essuyer tout excès d'adhésif qui sort entre la languette et la rainure à l'aide d'essence minérale.
- 5) Apposer les panneaux latéraux de la même manière en maintenant le bord fini, exposé à l'extérieur ou à l'entrée de la baignoire ou du bac de douche à l'aide de la même application d'adhésif. Laisser un espace d'environ 1/8 po (2 mm) dans les angles entre les panneaux latéraux et arrière pour l'adhésif. Essuyer tout excès d'adhésif à l'aide d'essence minérale.

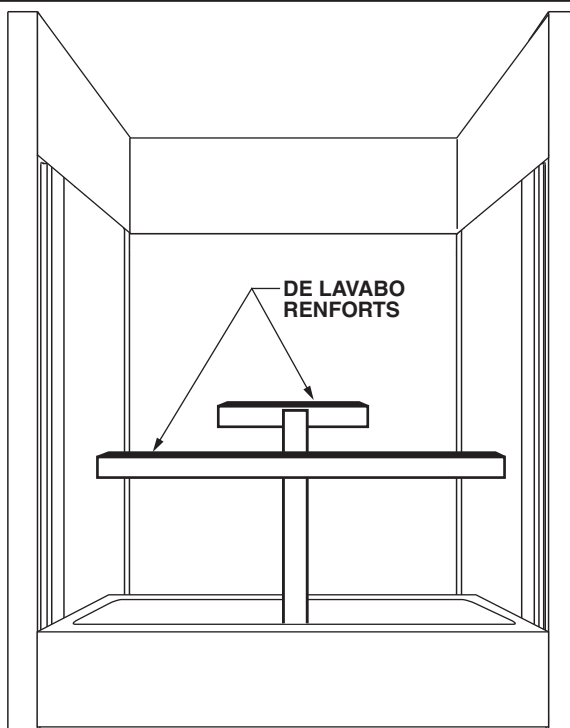


Image 6

### 3 APPLIQUER DU MASTIC DE COULEUR ASSORTIE POUR LES RACCORDS ET LES JOINTS

**REMARQUE : Le mastic de couleur assortie est coloré pour être assorti à la couleur approximative du panneau installé. Cela permet de s'assurer que le mastic est plus discret.**

- 1) Une fois que les panneaux sont installés et fixés, appliquer le mastic de couleur assortie dans tous les angles, les raccords entre les panneaux et les espaces entre les panneaux inférieurs et la baignoire.

Voir image 7.

**REMARQUE : RETIRER TOUT ADHÉSIF EXCESSIF DU PANNEAU À L'AIDE D'ESSENCE MINÉRALE.**

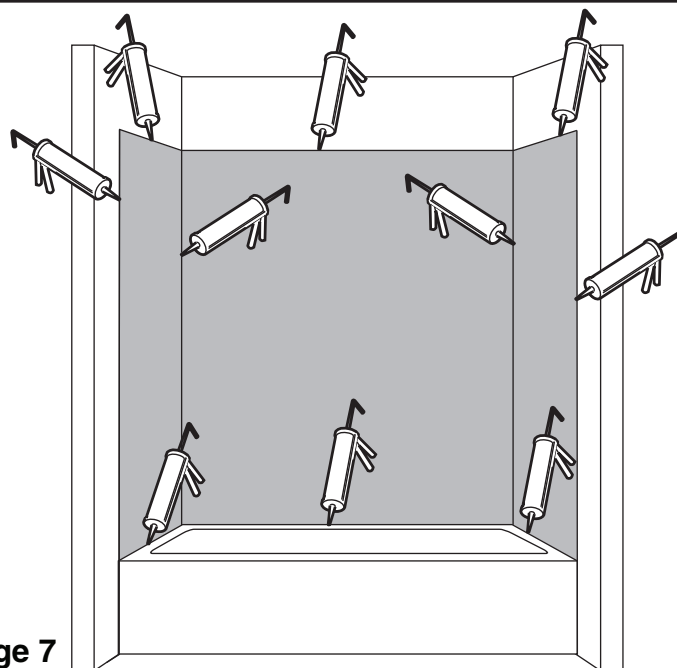


Image 7

### 4 INSTALLER LA POIGNÉE DE DOUCHE ET LA POMME DE DOUCHE

- 1) Installer la poignée de douche et la pomme de douche conformément aux instructions du fabricant. S'assurer d'appliquer le mastic sur toutes les plaques de garniture.

**REMARQUE : Laisser sécher le mastic pendant 24 heures avant la première utilisation.**

### 5 INSTALLATION DES TABLETTES DE DOUCHE

Suivre les instructions du fabricant

**IMPORTANT :** Appliquer le mastic en de couleur assortie sur les filetages des vis de montage ET sur l'extérieur de chaque ancrage mural pour empêcher la moisissure et l'eau de pénétrer. Les tablettes doivent être appuyées contre le mur derrière le panneau mural de passage. Le panneau de passage ne doit pas supporter le poids des tablettes.

- 6 Installer la porte de douche ou le rideau de douche conformément aux instructions du fabricant.

## NETTOYAGE APRÈS INSTALLATION

Retirez tous les déchets de construction. Le coulis du carrelage peut être retiré à l'aide d'un bâton de popsicle en bois, ou d'un abaisse-langue. Ne pas utiliser de brosse métallique ou autre matériel en métal.

Le nettoyage après installation se fait habituellement à l'aide d'eau chaude et d'un savon liquide à vaisselle. Les taches résistantes peuvent être retirées à l'aide d'une pierre Spic and Span<sup>MD</sup> et de l'eau.

Vous pouvez utiliser du naphtha pour enlever les produits adhésifs excédentaires ou la peinture à base d'huile pas encore sèche.

## ENTRETIEN et NETTOYAGE

**⚠ AVERTISSEMENT : Les produits nettoyants comportant la mention « ne convient pas à l'utilisation avec ABS, acrylique ou polystyrène » NE DOIVENT PAS ÊTRE UTILISÉS.** Lisez attentivement les étiquettes.

- Une eau excessivement chaude peut causer des dommages.
- NE JAMAIS UTILISER DE PRODUITS CHIMIQUES NOCIFS SUR LA SURFACE DES MURS DE DOUCHE. Après utilisation, nettoyez avec un produit nettoyant ménager doux. N'utilisez pas de Lestoil<sup>MD</sup>, de désinfectant Lyso<sup>MD</sup> (vaporisateur ou concentré), ni de nettoyant pour bain et carrelage Lyso<sup>MD</sup>, de Windex<sup>MD</sup>, de M. Net<sup>MD</sup>, de désinfectant nettoyant pour salle de bain Dow<sup>MD</sup>, ni tout autre produit nettoyant en aérosol.
- Ne pas utiliser de brosse métallique, couteau ou objet tranchant pour retirer les tâches, les dépôts de goudron des cigarettes, ou toute autre marque sur la surface.
- Ne pas utiliser de nettoyants abrasifs ou poudres, car ils abîmeraient la surface. Si la surface perd de sa brillance, les zones ternies ou les légères rayures peuvent être restaurées en frottant avec une pâte à polir blanche pour automobiles et en cirant avec une cire liquide.
- **Ne cirez pas les zones sur lesquelles vous vous déplacez.**
- Ne mettez aucun dissolvant, acétone, produit de nettoyage à sec, décapant ni autre solvant en contact avec le revêtement.
- Nettoyez la surface environnante immédiatement après l'utilisation d'un nettoyant à drain caustique.
- Une cigarette allumée peut endommager la surface.
- Si les appareils étaient endommagés, des réparations pourraient être faites rapidement et facilement. Votre distributeur ou votre installateur peut vous informer à ce sujet.

### Garantie limitée de 10 ans pour la gamme PASSAGE d'AS America, Inc. Panneaux de baignoire

AS America, inc. (American Standard) garantit au consommateur/à l'acheteur original qu'elle réparera ou remplacera, à sa convenance, ces panneaux ou toute pièce qui, selon American Standard et à son entière discrétion, est défectueuse dans des conditions normales d'usage et d'entretien résidentiels tant et aussi longtemps que le produit appartienne au consommateur/à l'acheteur original.

Pour activer la garantie limitée, l'acheteur doit visiter notre site Web au [www.americanstandard-us.com/warranty](http://www.americanstandard-us.com/warranty) (anglais seulement) et enregistrer ses panneaux de baignoire dans les trente (30) jours suivant l'achat.

American Standard ne sera en aucun cas tenue responsable des coûts de réparation ou de remplacement de quelque matériel d'installation qui soit, ceci incluant, mais sans s'y limiter, les carreaux, le marbre, etc.

Cette garantie limitée NE S'APPLIQUE PAS dans les situations suivantes :

1. Toute défectuosité ou tout dommage provenant de l'expédition, de l'installation, de modifications, d'accidents, d'abus, d'un mauvais usage, d'un manque d'entretien et de nettoyage adéquat conformément au manuel du propriétaire, et de l'utilisation de pièces de rechange autres que les pièces d'origine American Standard, dans tous les cas causés par un entrepreneur en plomberie, une entreprise de service, le propriétaire ou toute autre personne.
2. La détérioration causée par l'utilisation et l'usure normale, et les frais d'entretien normaux.
3. Toute application commerciale.
4. Les articles en option et les accessoires. La garantie limitée d'American Standard sur ces articles est pour une durée d'un an sur les pièces seulement, et ne couvre pas la main-d'œuvre. Cette garantie limitée d'un an couvre les accessoires fabriqués par American Standard (p. ex., les tabliers, les drains, les barres d'appui, les systèmes de chauffage, et les garnitures) en ce qui a trait à toute défectuosité de matériel ou de fabrication. La couverture de la garantie débute à compter de la date où les accessoires ont été achetés à l'origine par le propriétaire.
5. Les frais de poste ou de livraison engagés pour le retour du produit pour réparation ou remplacement en vertu des conditions de cette garantie limitée, et les coûts de main-d'œuvre ou autre frais engagés pour l'installation ou l'enlèvement du produit en vertu de la présente garantie limitée.
6. TOUTE RESPONSABILITÉ POUR LES DOMMAGES INDIRECTS OU CONSÉCUTIFS, LAQUELLE EST EXPRESSÉMENT EXCLUE POUR TOUS CES DOMMAGES, OU LA PROLONGATION, AU-DELÀ DE LA DURÉE DE LA PRÉSENTE GARANTIE LIMITÉE DE TOUTES GARANTIES LIMITÉES IMPLICITES, INCLUANT CELLES DE QUALITÉ MARCHANDE OU D'APTITUDE DANS UN BUT PARTICULIER. (Certains territoires ne permettent pas de limitations sur la durée d'une garantie implicite, ou l'exclusion ou la limitation de dommages indirects ou consécutifs; ces limitations peuvent donc ne pas s'appliquer à vous.)
7. La responsabilité de se conformer aux exigences locales. (Puisque les exigences locales varient largement, les distributeurs, les marchands, les entrepreneurs en installation et les utilisateurs des produits de plomberie devraient déterminer si des restrictions du code s'appliquent à l'installation ou à l'utilisation d'un produit particulier.)

Cette garantie vous donne des droits juridiques particuliers. Vous pouvez vous prévaloir d'autres droits prévus par la loi, qui varient d'un État à l'autre ou d'une province à l'autre. Pour obtenir un service couvert par cette garantie, prenez contact avec le service suivant :

#### Aux États-Unis :

American Standard Brands  
1 Centennial Ave.  
Piscataway, New Jersey 08854

Attention : Directeur ou directrice de la consommation

Pour les résidents des États-Unis, il est également possible d'obtenir les renseignements relatifs à la garantie en appelant au numéro sans frais suivant : 800-442-1902.  
[www.americanstandard.com](http://www.americanstandard.com)

#### Au Canada :

AS Canada, ULC  
5900 Avebury Rd.  
Mississauga (Ontario)  
Canada L5R 3M3

Sans frais : 800-387-0369  
[www.americanstandard.ca](http://www.americanstandard.ca)

#### Au Mexique :

American Standard B&K Mexico  
S. de R.L. de C.V.  
Via Morelos #330  
Col. Santa Clara

Ecatepec 55540 Edo. Mexico  
Sans frais : 01-800-839-1200  
[www.americanstandard.com.mx](http://www.americanstandard.com.mx)

# INSTALLATION INSTRUCTIONS

## PASSAGE™ SHOWER BASES

MODELS: A8010T-RHO, A8010T-LHO, A8011T-RHO, A8011T-LHO, A8012T-CO

*American Standard*

Visit <http://www.americanstandard-us.com/passage-collection> for coordinating products.

Thank you for selecting American Standard – the benchmark of fine quality for over 100 years. To ensure this product is installed properly, please read these instructions carefully before you begin. (Certain installations may require professional help.)

Local building codes vary by location. Observe all local plumbing and building codes.

### TOOLS & MATERIALS REQUIRED....

#### TOOLS:

- Level
- Pencil
- Square
- Tape Measure
- Pipe Wrench
- Slip Joint Pliers
- Screw Driver
- Standard Woodworking Tools
- Personal Safety Equipment
- Caulking Gun

#### MATERIALS:

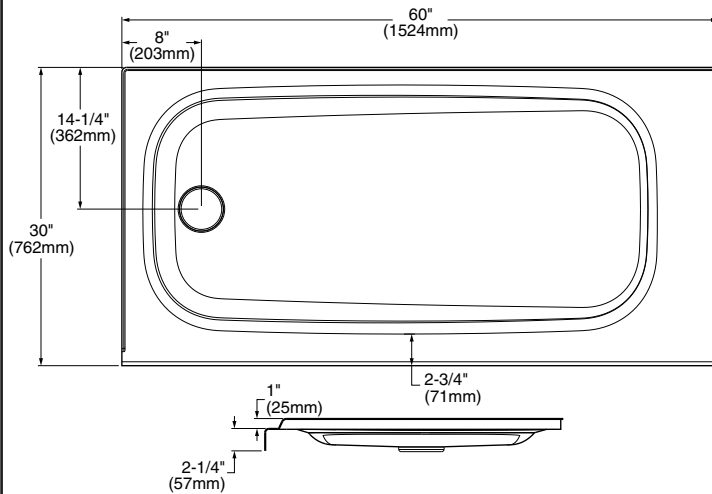
- Silicone Sealant
- Drop Cloth
- Mortar Mix or Grout

**NOTE: Read instructions completely before proceeding with installation.**

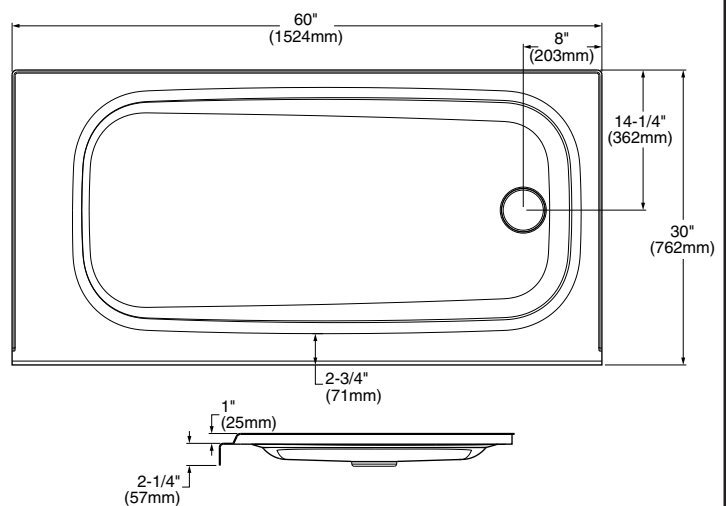
The opening dimensions should be at least 1/8" (3mm) larger than dimensions shown.

For the best fit, the opening measurements should be verified against the actual shower base received.

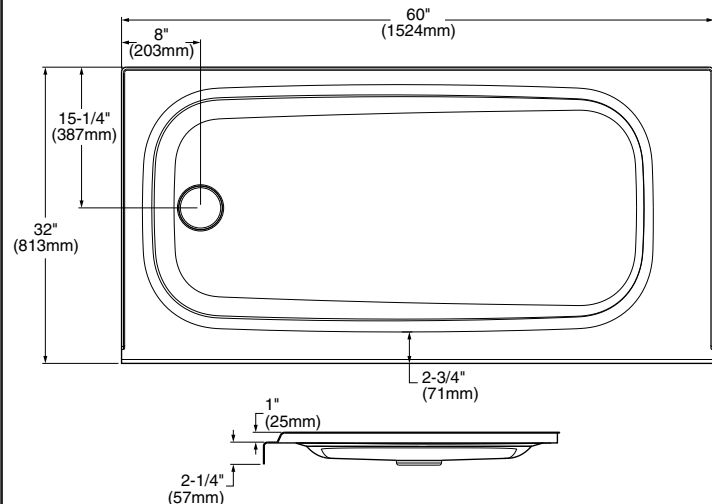
**A8010T-LHO**



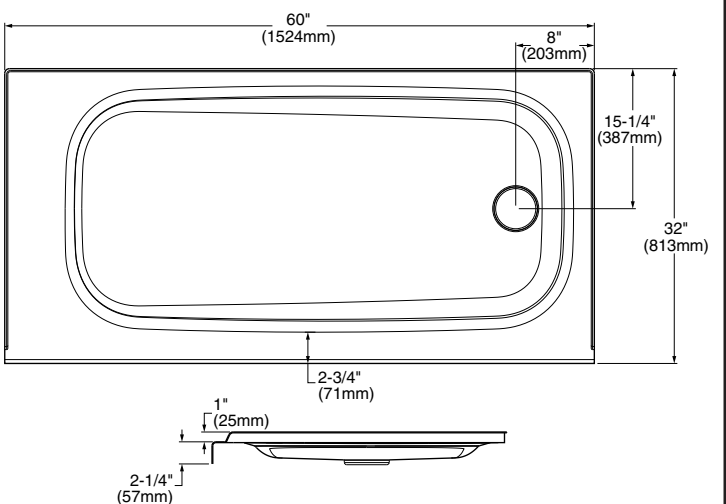
**A8010T-RHO**



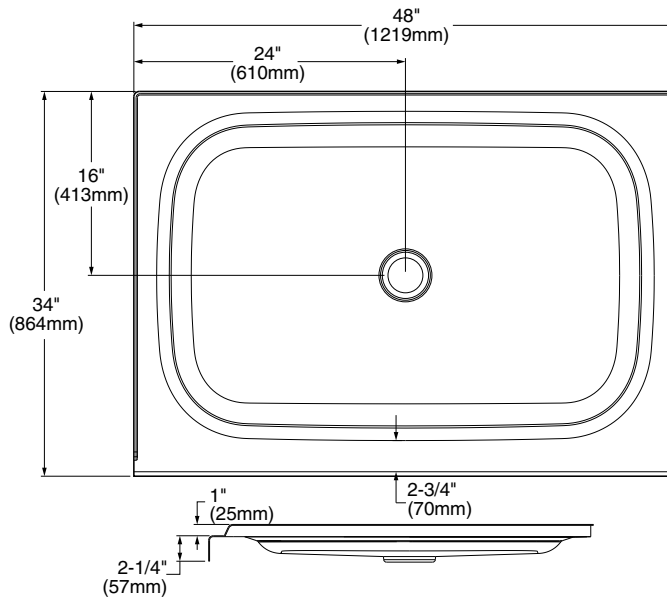
**A8011T-LHO**



**A8011T-RHO**

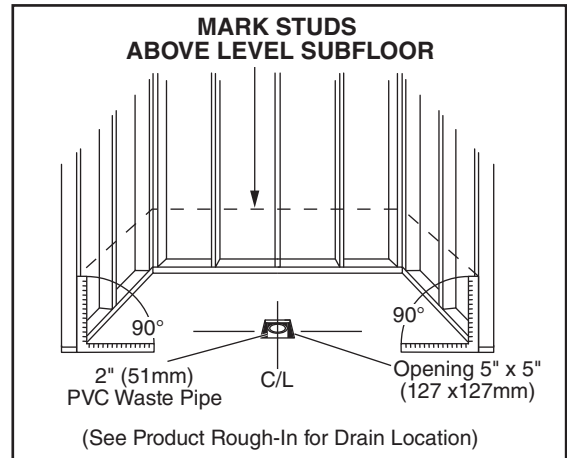


## A8012T-CO



**1**

Ensure that the floor and stud walls are square and plumb on a level floor as shown in Figure A. Provide a 5" x 5" (127 x 127mm) opening in the floor for the drain and refer to the product rough-in for actual drain location. Draw a line 3-1/4" (82mm) above the level subfloor on the wall studs at each side of the opening.

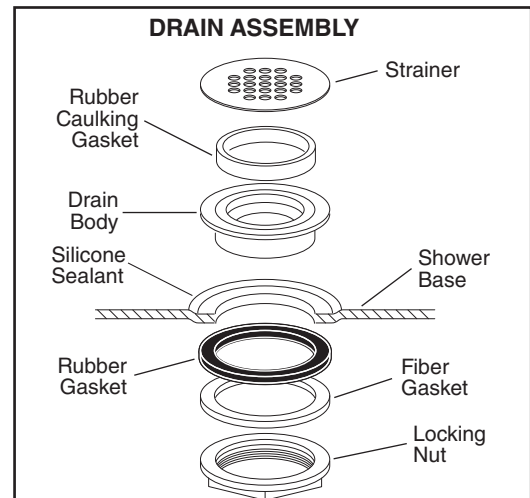


**FIGURE A**

**2**

All of the shower bases require purchasing a round shower strainer type drain for use with a standard 2" (51mm) plastic schedule 40 waste pipe. Figure B shows the typical drain assembly. Before installing drain into the shower base, remove strainer (Fig B). This will be installed after shower base is in its final position. Cut the waste pipe height so that the drain body will fit snug in the shower base. Apply silicone sealant between the drain body and shower base.

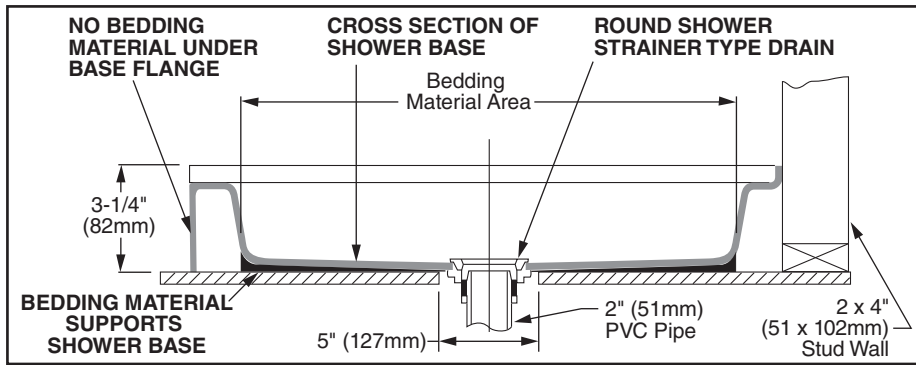
**NOTE:** Drain not included and must be purchased separately.



**FIGURE B**

**3**

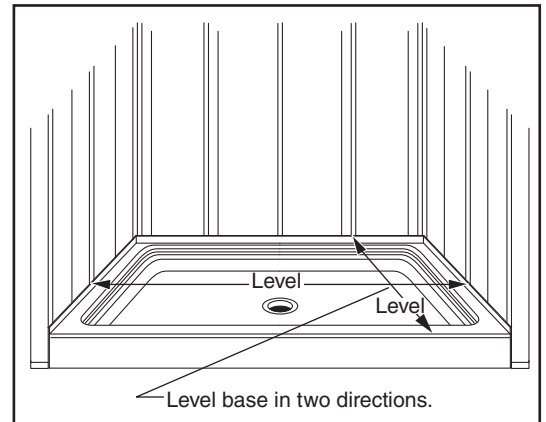
Mix a non-shrinking bedding material such as mortar and apply enough bedding material to support the entire bottom of the shower base. **Concrete is NOT recommended. The shower base is NOT to be supported by the base flange.**

**FIGURE C****4**

After the bedding material has been poured and before it sets, lower the shower base into position with the drain assembly sliding over the waste pipe (Fig. C). It will be necessary to "rock" the shower base until the top of the tile flange aligns with the lines drawn on the stud walls from Step 1. Make sure the apron is contacting the rough floor along the entire length of the shower base and ensure that the base is level in two directions as shown in Figure D.

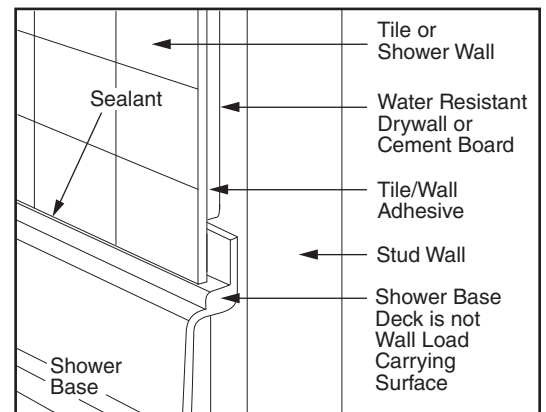
**Note:** Allow the bedding material to completely harden before applying weight to the bottom of the shower base.

Place strainer back into place and conduct a water test of drain and plumbing to ensure there are no leaks.

**FIGURE D****5**

Tape over the shower base drain strainer to protect the finish and prevent construction debris from entering the drain. Finish the shower base installation. Any finish material such as shower wall tile or wallboard must be self-supporting if it contacts the deck of the shower base as shown in Figure E.

Install the water resistant drywall while keeping approximately 1/4" (6mm) to 1/2" (13mm) of clearance between the shower base and drywall to prevent any possible water from wicking.

**FIGURE E**

## **POST INSTALLATION CLEAN-UP**

Remove all construction debris. Tile grout can be removed with a wooden popsicle stick or tongue depressor. Do not use wire brushes or any other metal implement on surface.

Post installation clean-up generally can be completed using warm water and liquid dishwashing detergent. Stubborn dirt or stains may be removed using granular Spic and Span® mixed with water.

Painter's naphtha can be used to remove excess adhesives and/or wet oil-base paint.

## **AFTERCARE and CLEANING**

**⚠ WARNING:** Cleaning products with labels that say "not suitable for use with acrylic" **SHOULD NOT BE USED**. Read all labels carefully.

- Excessively hot water may cause surface damage.
- **HARSH CHEMICALS SHOULD NEVER BE USED ON SHOWER BASE SURFACE.** Clean after use with a mild liquid household detergent cleaner. Do not use Lestoil, Lysol Disinfectant (spray or concentrate), or Lysol Basin, Tub and Tile Cleaner, Windex, Mr. Clean, Dow Disinfectant Bathroom Cleaner, or cleaning products in aerosol cans.
- Do not use wire brushes, knives or sharp objects to remove stains, cigarette tar deposits, or other surface blemishes.
- Abrasive cleaners or powders must not be used, since they will dull the surface. If the glossy surface loses its sheen, dulled areas or light scratches can be restored by rubbing with a white "automotive type" polishing compound and waxing with a "liquid wax."
- **Do not wax areas where you walk or stand.**
- Do not allow nail polish remover, acetone, dry cleaning fluid, paint remover or other solvents to come into contact with the surface.
- Clean the surrounding surface immediately after using caustic drain cleaners.
- Burning cigarettes will damage the surface.
- Should damage to the fixture occur, repairs can be made quickly and easily. Your distributor or builder can provide details.

### **AS America, Inc. Limited Lifetime Warranty for Shower Bases**

AS America, Inc. ("American Standard") warrants to the original consumer purchaser that it will, at its option, repair or replace this shower base – American Standard, in its sole judgment, to be defective under normal residential use and maintenance so long as it is owned by the original consumer purchaser.

To activate this limited warranty, the purchaser must go online to our website at [www.americanstandard-us.com/warranty](http://www.americanstandard-us.com/warranty) to register their shower base within thirty (30) days of purchase.

In no event will American Standard be liable for the cost of repair or replacement of any installation materials including but not limited to tile, marble, etc.

This limited warranty does not apply to Commercial Installations. The warranty for Commercial Installations is three (3) years.

This limited warranty DOES NOT COVER the following:

1. Defect or damages arising from shipping, installation, alterations, accidents, abuse, misuse, lack of proper maintenance and cleaning as directed in the Installation Instruction Manual and use of other than genuine American Standard replacement parts, in all cases whether caused by a plumbing contractor, service company, the owner or any other person.
2. Deterioration through normal wear and tear and the expense of normal maintenance.
3. Commercial application.
4. Options and accessories. American Standard's limited warranty on these items is **one year for parts only and excludes labor**. This one year limited warranty covers accessories manufactured by American Standard (e.g. aprons, drains, grab bars, heaters, trim kits) against defects of material or workmanship. Warranty coverage begins on the date the accessory was originally purchased by the owner.
5. Shipping cost for returning products for repairs or replacement under the limited warranty and labor or other cost incurred in connection with product removal or installation under this limited warranty.
6. ANY LIABILITY FOR CONSEQUENTIAL OR INCIDENTAL DAMAGES, ALL OF WHICH ARE HEREBY EXPRESSLY DISCLAIMED, OR THE EXTENSION BEYOND THE DURATION OF THIS LIMITED WARRANTY OF ANY IMPLIED WARRANTIES, INCLUDING THOSE OF MERCHANTABILITY OR FITNESS FOR AN INTENDED PURPOSE. (Some jurisdictions do not allow limitations on how long an implied warranty lasts, or the exclusion or limitation of incidental or consequential damages, so these limitations and exclusions may not apply to you.)
7. Responsibility for compliance with local code requirements. (Since local code requirements vary greatly, distributors, retailers, dealers, installation contractors and users of plumbing products should determine whether there are any code restrictions on the installation or use of a specific product.)

This limited warranty gives you specific legal rights. You may have other statutory rights that vary from state to state or from province to province, in which case this warranty does not affect such statutory rights.

For service under this warranty, it is suggested that a claim be made through the contractor or dealer from or through whom the product was purchased, or that a service request (including a description of the product model and of the defect) be sent to the following address:

#### **In the United States:**

American Standard Brands  
1 Centennial Ave  
Piscataway, New Jersey 08854  
Attention: Director of Consumer Affairs

For residents of the United States, warranty information may also be obtained by calling the following toll free number: (800) 442-1902  
[www.americanstandard.com](http://www.americanstandard.com)

#### **In Canada:**

LIXIL Canada ULC  
5900 Avebury Rd.  
Mississauga, Ontario  
Canada L5R 3M3

Toll Free: (800) 387-0369  
[www.americanstandard.ca](http://www.americanstandard.ca)

#### **In Mexico:**

American Standard B&K Mexico  
S. de R.L. de C.  
Via Morelos #330  
Col. Santa Clara  
Ecatepec 55540 Edo. Mexico

Toll Free: 01-800-839-1200  
[www.americanstandard.com.mx](http://www.americanstandard.com.mx)



# INSTRUCCIONES DE INSTALACIÓN

## PASSAGE™ BASE DE DUCHA

MODELOS: A8010T-RHO, A8010T-LHO, A8011T-RHO,  
A8011T-LHO, A8012T-CO

*American  
Standard*

Visite <http://www.americanstandard-us.com/passage-collection> para ver los productos que hacen juego.

Gracias por elegir American Standard, el parámetro de excelente calidad por más de 100 años. Para asegurar que este producto se instale de manera adecuada, lea las instrucciones con atención antes de comenzar. (Ciertas instalaciones pueden requerir ayuda profesional.) Asegúrese también de realizar la instalación de conformidad con los códigos locales.

Los códigos de edificación locales varían según la ubicación. Respete todos los códigos locales de edificación y plomería.

### HERRAMIENTAS Y MATERIALES REQUERIDOS ...

#### HERRAMIENTAS:

- Nivel
- Lápiz
- Escuadra
- Cinta métrica
- Llave para tubería
- Alicata
- Destornillador
- Herramientas convencionales para trabajar en madera
- Equipo de seguridad personal
- Pistola de calafateo

#### MATERIALES:

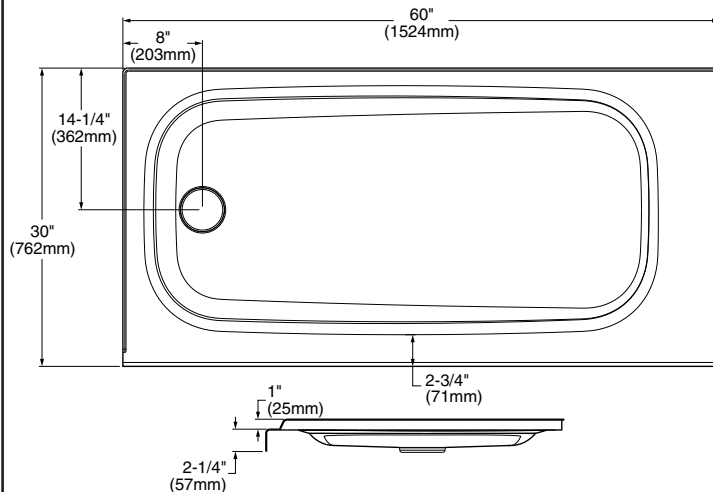
- Sellador de silicona
- Paño grueso
- Mezcla de mortero o mortero de cemento

**NOTA : Lea todas las instrucciones completamente antes de empezar la instalación.**

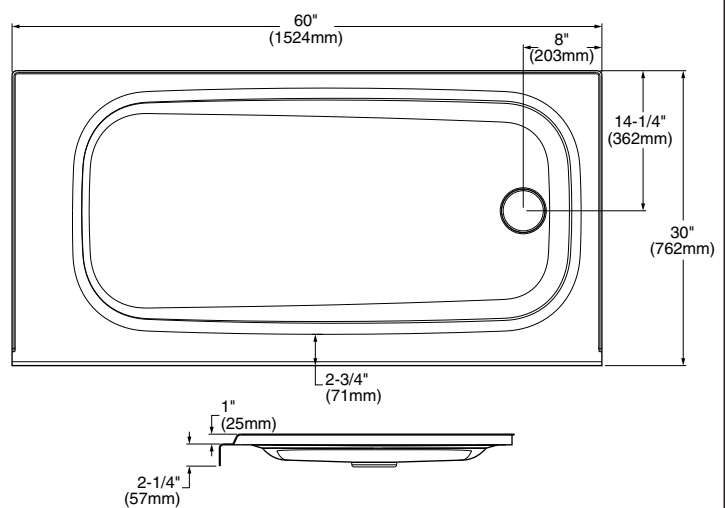
Las dimensiones de abertura deben ser al menos 1/8" más grandes que las dimensiones mostradas.

Para obtener el mejor ajuste, las medidas de abertura se deben verificar en comparación con la base de la ducha real recibida.

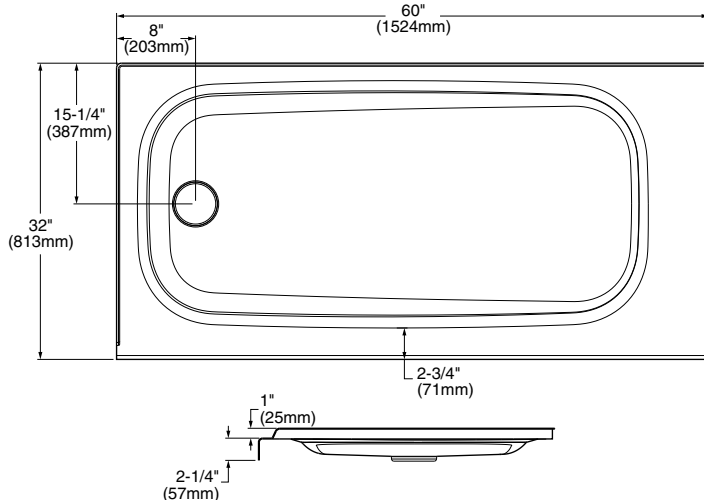
**A8010T-LHO**



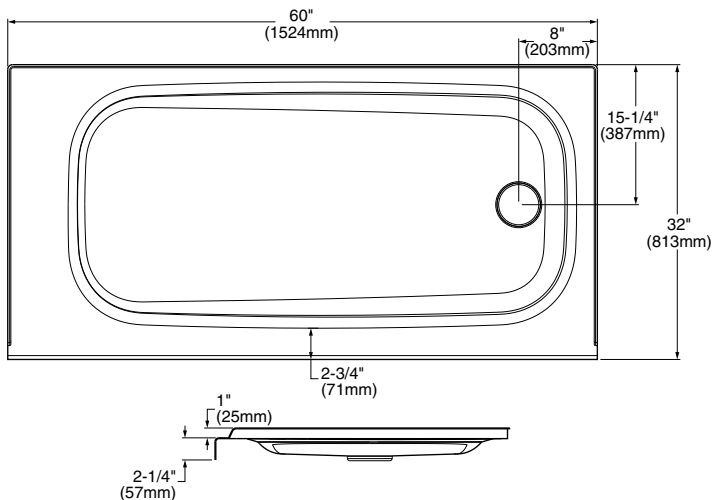
**A8010T-RHO**



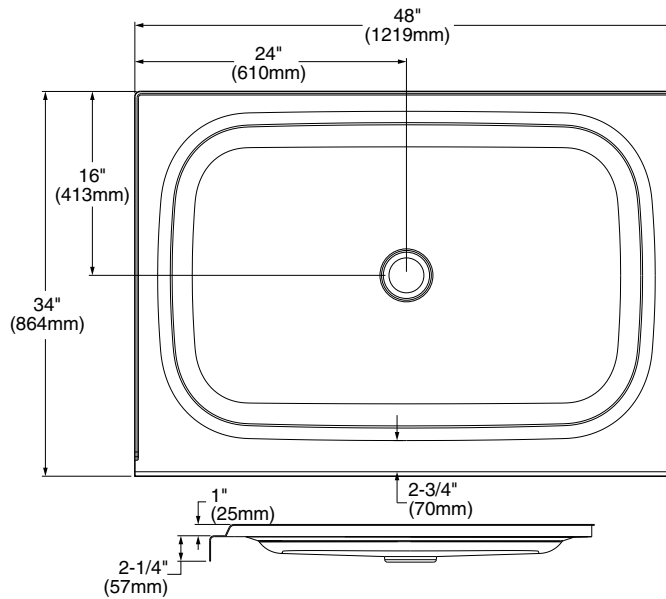
**A8011T-LHO**



**A8011T-RHO**



## A8012T-CO



**1**

Asegúrese de que el piso y las paredes de entramado estén en ángulo recto y a plomo sobre un piso nivelado conforme se muestra en la Figura A. Realice una abertura de 5" x 5" (127 x 127mm) en el piso para el drenaje y consulte la preparación del producto para ver la ubicación del drenaje real. Dibuje una línea de 3-1/4" (82mm) arriba del nivel del subsuelo en los entramados de la pared a cada lado de la abertura.

### MARQUE LOS ENTRAMADOS A POR ENCIMA DEL NIVEL DEL SUBSUELO

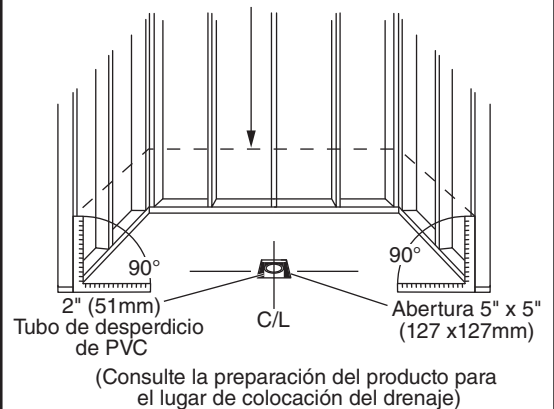


FIGURA A

**2**

Todas las bases de la ducha requieren de la compra de un drenaje tipo coladera para ducha redondo para usarse con un tubo de desagüe cédula 40 de plástico de 2" (51 mm) estándar. La Figura B muestra el ensamble del drenaje característico. Antes de instalar el drenaje en la base de la ducha, retire el colador (ver Fig. B). Este se instalará una vez que la base de la ducha esté en su posición final. Corte el tubo de desagüe a la altura para que el cuerpo del drenaje se ajuste bien en la base de la ducha. Aplique sellador de silicón entre el cuerpo del drenaje.

**NOTA:** El drenaje no está incluido y debe comprarse por separado.

### MONTAJE DEL DRENAJE

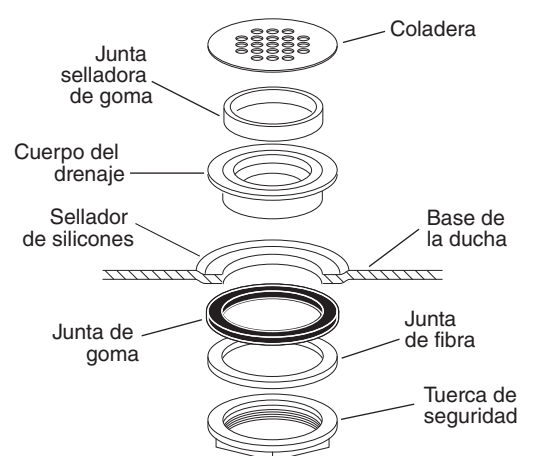
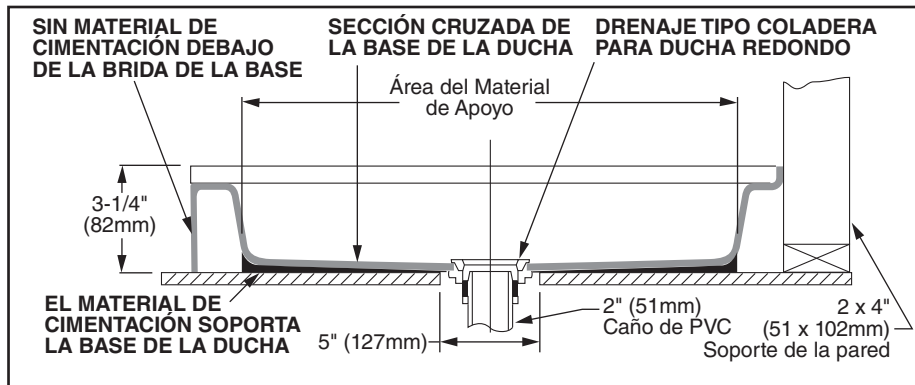


FIGURA B

**3**

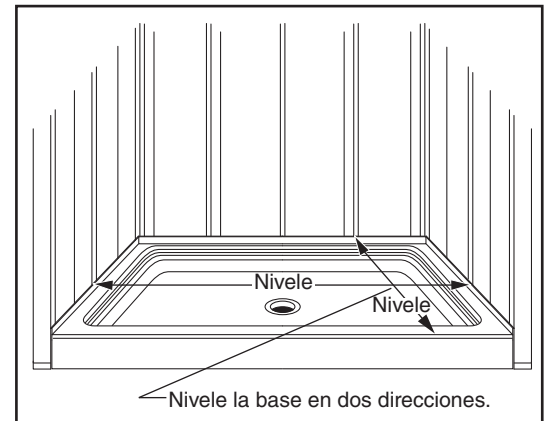
Mezcle material de cimentación de baja deformación como mortero y aplique la suficiente cantidad para soportar el fondo entero de la base de la ducha. **NO se recomienda el concreto. La base de la ducha NO se soporta con la brida de la base.**

**FIGURA C****4**

**Después de haber vaciado el material de cimentación y antes de que se asiente,** baje la base de la ducha hacia adentro de su posición con el ensamble del drenaje deslizándose sobre el tubo de desagüe (Figura C). Será necesario "girar" la base de la ducha hasta que la parte superior de la brida de mosaico se alinee con las líneas dibujadas en las paredes de entramado del Paso 1. Asegúrese de que la plataforma entre en contacto con el piso áspero a lo largo de toda la longitud de la base de la ducha y asegúrese de que la base esté nivelada en dos direcciones conforme se muestra en la Figura D.

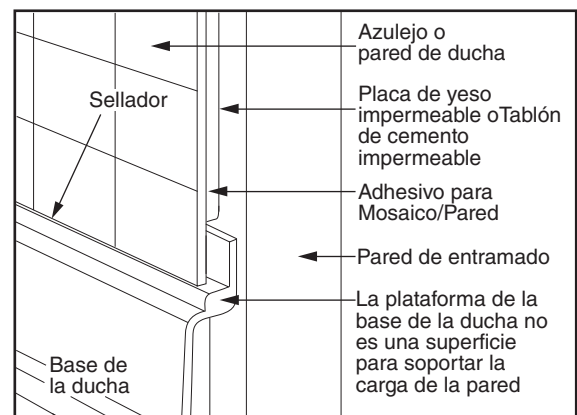
**Nota:** Deje que el material de cimentación se endurezca completamente antes de aplicar peso a la parte inferior de la base de la ducha.

Coloque el colador en su lugar y realice una prueba de agua del drenaje y la plomería para asegurarse de que no haya fugas.

**FIGURA D****5**

Cubra con cinta la coladera del drenaje de la base de la ducha para proteger el acabado y evitar que los residuos de la construcción entren al drenaje. Termine la instalación de la base de la ducha. Cualquier material de acabado como mosaicos o planchas de pared se debe sostener por sí mismo si entra en contacto con la plataforma de la base de la ducha se muestra en la Figura E.

Instale la placa de yeso impermeable dejando un espacio de aproximadamente 1/4" (6 mm) a 1/2" (13 mm) entre la base de la ducha y la placa de yeso para evitar que cualquier posibilidad de transpiración de agua.

**FIGURA E**

## **LIMPIEZA POSTERIOR A LA INSTALACIÓN**

Retire todos los residuos de construcción. El mortero de los azulejos se puede quitar con un palito de paleta o una espátula médica de madera (para la garganta). No use cepillos metálicos o cualquier otro implemento de metal en la superficie.

Por lo general, la limpieza posterior a la instalación se puede realizar usando agua tibia y un lavalozas líquido. La suciedad o manchas difíciles de quitar se pueden remover usando un producto como Spic and Span® mezclado con agua.

También se puede usar diluyente para quitar el exceso de adhesivo y/o pintura oleosa fresca.

## **MANTENIMIENTO y LIMPIEZA**

**⚠ PRECAUCIÓN: Los productos de limpieza con etiquetas que digan “no adecuados para uso con ABS, acrílico o poliestireno” NO SE DEBEN UTILIZAR. Lea cuidadosamente todas las etiquetas.**

- El agua excesivamente caliente puede dañar la superficie.
- **NUNCA SE DEBEN USAR PRODUCTOS QUÍMICOS FUERTES EN SUPERFICIES DE ACRÍLICO.** Limpie la bañera después de usarla con un limpiador líquido suave. No use Lestoil, desinfectante Lysol (en spray o concentrado) o Lysol Basin, limpiador para baños y azulejos, Windex, Mr. Clean, limpiador y desinfectante para baños Dow, o productos de limpieza en latas de aerosol.
- No utilice cepillos de alambre, cuchillos ni objetos afilados para sacar manchas, residuos de alquitrán de los cigarrillos u otras imperfecciones en la superficie.
- No se deben usar polvos o limpiadores abrasivos ya que pueden opacar la superficie. Si la superficie brillante pierde su característica, las áreas opacas o los rayones leves se pueden restaurar frotando la superficie con un compuesto para pulir (como el que se usa para los autos) y encerando con una “cera líquida”.
- **No encere las áreas por donde camina o está de pie.**
- No permita que removedores de esmalte de uñas, acetona, líquidos de limpieza en seco, removedores de pinturas u otros solventes entren en contacto con la superficie.
- Limpie la superficie circundante inmediatamente después de usar limpiadores con soda cáustica.
- Dejar cigarrillos encendidos puede dañar la superficie.
- Si se daña el artefacto, se puede reparar en forma rápida y fácil.  
El distribuidor o fabricante puede dar más información.

## **AS AMERICA, INC. GARANTÍA LIMITADA DE POR VIDA PARA BASE DE LA DUCHA**

AS America, Inc. (“American Standard”) garantiza exclusivamente al comprador original que reparará o reemplazará, según lo estime conveniente, esta bañera de hidromasaje o cualquiera de sus piezas que, a su juicio, considere defectuosa según el uso y mantenimiento doméstico siempre y cuando se encuentre en poder del comprador original.

Esta garantía sólo se hará efectiva una vez que American Standard reciba la Tarjeta de registro de la garantía llenada completamente que demuestre la compra.

En ningún caso American Standard será responsable por el costo de reparación o reemplazo de cualquier material de instalación incluidos pero sin limitarse a azulejos, mármol, etc.

Esta garantía limitada NO CUBRE lo siguiente:

1. Defectos o daños provocados por el envío, instalación, alteraciones, accidentes, abuso, mal uso, falta de mantenimiento y limpieza adecuados como se indica en el manual del propietario y uso de otras piezas de reemplazo que no sean originales de American Standard, en todos los casos mencionados debido a contratistas de plomería, compañías de servicios, el propietario o cualquier otra persona.
2. Deterioro por desgaste y uso normal y el gasto de mantenimiento normal.
3. Aplicación comercial.
4. Opciones y accesorios. La garantía limitada de American Standard sobre estos productos es de un año sólo para las piezas y no cubre gastos mano de obra. Esta garantía limitada por un año cubre accesorios fabricados por American Standard (por ejemplo, revestimientos, drenajes, barras de agarre, calentadores, juegos de molduras) contra defectos de material o mano de obra. La cobertura de la garantía comienza hacer efectiva a partir de la fecha en que el accesorio fue adquirido originalmente por el propietario.
5. El franqueo ni costos de envío para devolver los productos para reparación o reemplazo ni gastos laborales u otros costos en los que se ha incurrido relacionados con el retiro o instalación del producto según esta garantía limitada.
6. RESPONSABILIDAD ALGUNA POR DAÑOS INDIRECTOS O FORTUITOS, LAS CUALES QUEDAN EXPLÍCITAMENTE NEGADAS POR MEDIO DEL PRESENTE, NI TAMPOCO LA EXTENSIÓN, FUERA DEL PLAZO DE DURACIÓN DE ESTA GARANTÍA LIMITADA, DE NINGUNA GARANTÍA IMPLÍCITA, INCLUIDAS AQUÉLLAS SOBRE COMERCIABILIDAD O IDONEIDAD PARA UN PROPÓSITO DEFINIDO. (Algunas jurisdicciones no autorizan limitaciones sobre cuánto dura la cobertura de una garantía implícita o la exclusión o limitación de daños indirectos o fortuitos, de modo que estas limitaciones y exclusiones puede que no se apliquen en su caso).
7. Responsabilidad por el cumplimiento de los requerimientos de las normas locales. (Debido a que los requerimientos de las normas locales pueden variar bastante, distribuidores, detallistas, distribuidores, contratistas de instalación y usuarios de productos de plomería deberán determinar si existen restricciones de las normas en la instalación o el uso de un producto específico).

Esta garantía limitada le otorga derechos legales específicos. Los derechos estatales que usted pueda tener y que varían de un estado a otro o de una provincia a otra, no quedan afectados por esta garantía.

Para obtener servicio bajo esta garantía, se sugiere que se reclame por medio del contratista o representante de quien o mediante quien se compró el producto, o que se envíe una petición de servicio (incluyendo una descripción del modelo del producto y del defecto) a las direcciones siguientes:

### **En los Estados Unidos:**

American Standard Brands  
1 Centennial Ave  
Piscataway, New Jersey 08854  
Attention: Director of Consumer Affairs

Para los residentes de los Estados Unidos, también se puede obtener información sobre las garantías llamando al siguiente número gratuito: (800) 442-1902  
[www.americanstandard.com](http://www.americanstandard.com)

### **En Canadá:**

LIXIL Canada ULC  
5900 Avebury Rd.  
Mississauga, Ontario  
Canada L5R 3M3

Número de teléfono gratuito:  
(800) 387-0369  
[www.americanstandard.ca](http://www.americanstandard.ca)

### **En México:**

American Standard B&K México  
S. de R. L. de C.V.  
Vía Morelos #330  
Col. Santa Clara  
Ecatepec 55540 Edo. México

Número sin cargo: 01-800-839-1200  
[www.americanstandard.com.mx](http://www.americanstandard.com.mx)

# INSTRUCTIONS D'INSTALLATION

## PASSAGE™ DOUCHER LA BASE

MODÈLES: A8010T-RHO, A8010T-LHO, A8011T-RHO,  
A8011T-LHO, A8012T-CO

American  
Standard

Pour trouver des produits associés, visitez <http://www.americanstandard-us.com/passage-collection>

Merci d'avoir choisi American Standard, la référence en matière de qualité depuis plus de 100 ans. Afin de garantir une installation adéquate, veuillez lire ces instructions attentivement avant de commencer. (L'installation peut nécessiter l'aide d'un professionnel dans certains cas.) De plus, assurez-vous d'installer le produit conformément aux codes locaux.

Les codes du bâtiment varient d'une région à l'autre. Respectez tous les codes de plomberie et du bâtiment de votre région.

### OUTILS ET MATÉRIAUX REQUIS...

#### OUTILS :

- Niveau
- Crayon
- Équerre
- Ruban à mesurer
- Clé à tuyau
- Pincés à joint coulissant
- Tournevis
- Outils standard à bois
- Équipement de protection individuelle
- Pistolet à calfat

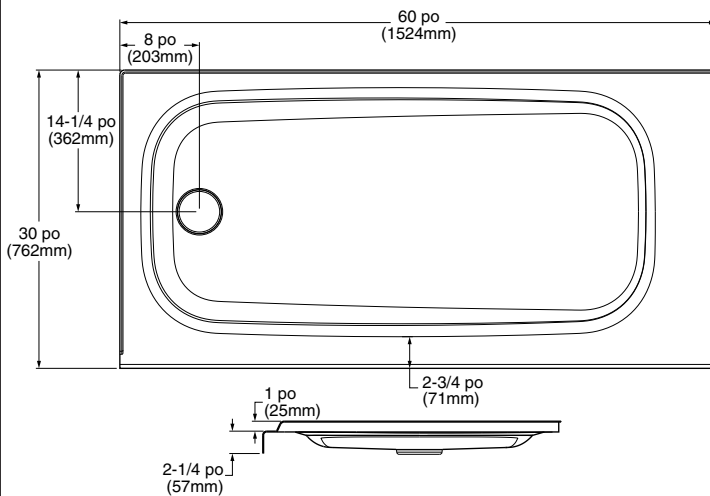
#### MATÉRIEL :

- Scellant à silicone
- Toile de protection
- Mélange de mortier ou coulis

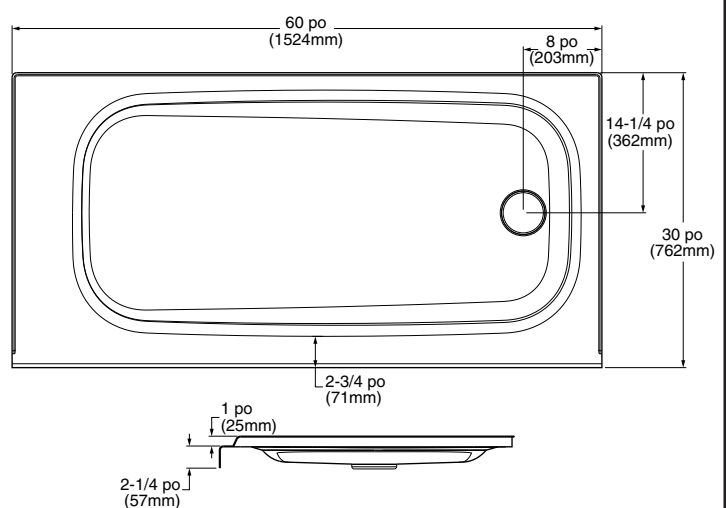
**REMARQUE : Veuillez lire attentivement et complètement les directives avant de procéder à l'installation.**

Les dimensions des ouvertures doivent avoir au moins 1/8 po (3mm) de plus que les dimensions indiquées. Pour un meilleur ajustement, les mesures des ouvertures doivent être vérifiées par rapport à la base de douche reçue.

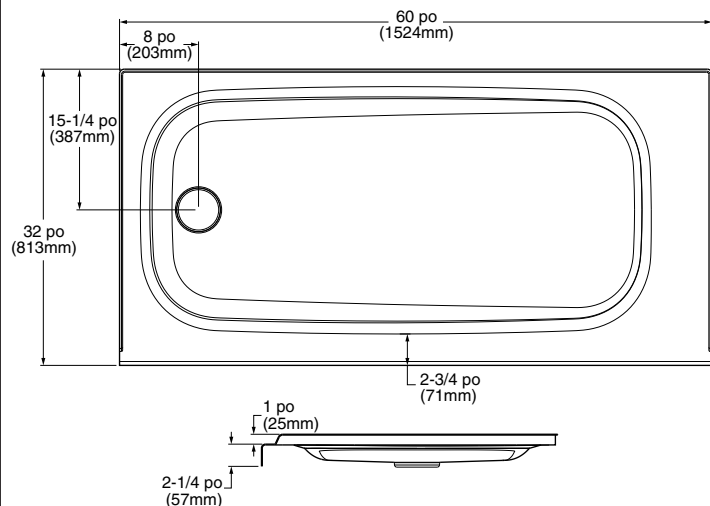
A8010T-LHO



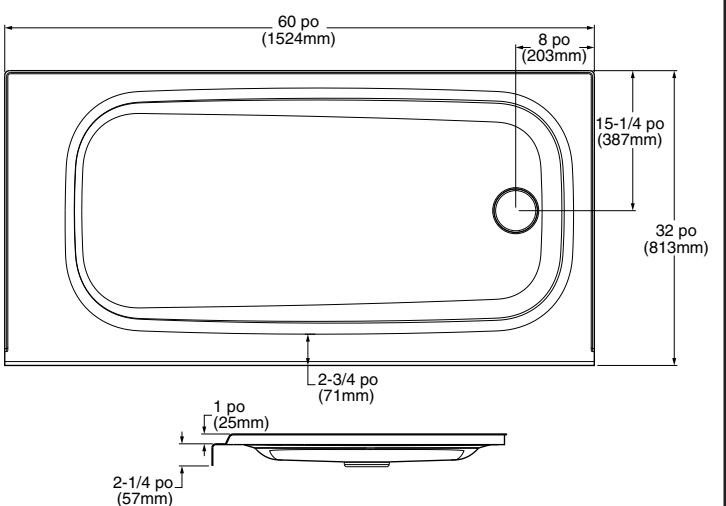
A8010T-RHO



A8011T-LHO

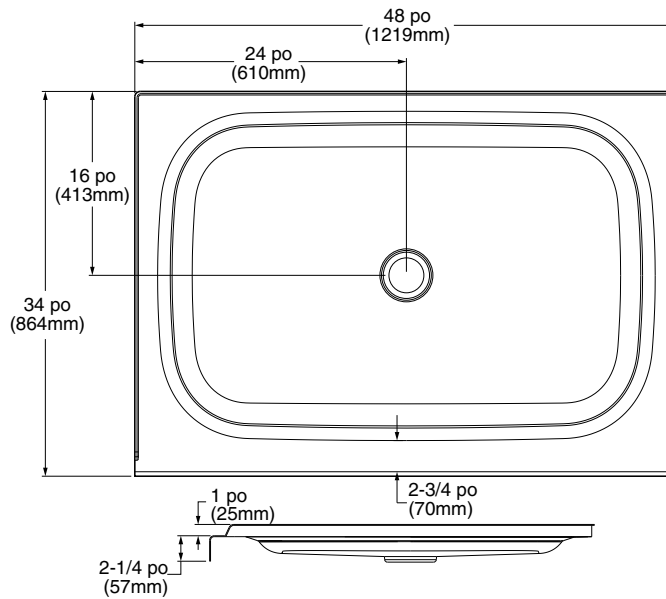


A8011T-RHO



CONSERVEZ POUR UN USAGE ULTÉRIEUR

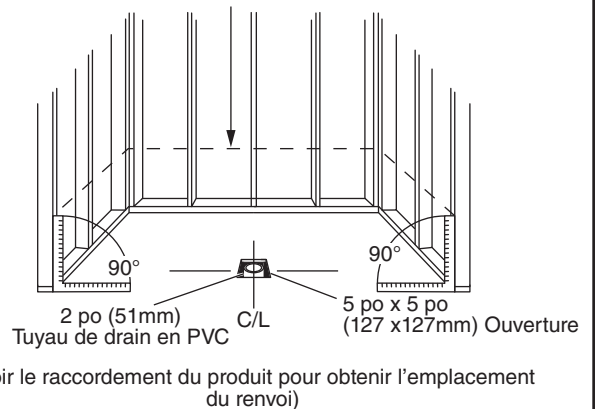
## A8012T-CO



**1**

Assurez-vous que le plancher et les montants sont d'aplomb et d'équerre, selon ce qui est illustré à la Figure A. Créez une ouverture de 5 po x 5 po (127 x 127 mm) dans le plancher pour le renvoi et consultez le raccordement du produit pour obtenir l'emplacement réel du renvoi. Tracez une ligne de 3-1/4 po (82mm) au-dessus du niveau du sous-plancher sur les montants de chaque côté de l'ouverture.

### TRACER UN REPÈRE SUR LES MONTANTS À AU-DESSUS DU NIVEAU DU SOUS-PLANCHER



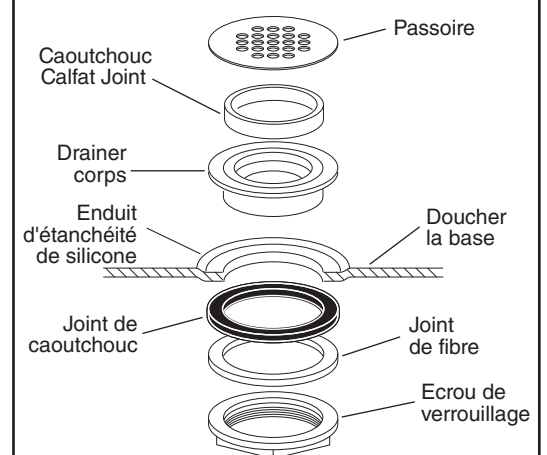
**FIGURE A**

**2**

Toutes les bases de douche nécessitent l'achat d'un drain à crépine rond pour douche pour une utilisation avec un tuyau standard 40 pour drain en plastique de 2 po (51 mm). La Figure B illustre un drain typique. Avant d'installer le renvoi dans la base de douche, retirez la crépine (figure B). Elle sera installée une fois que la base de douche sera à son emplacement final. Coupez le tuyau à la hauteur à laquelle le corps du drain s'emboîtera parfaitement dans la base de douche. Appliquez du scellant à la silicone entre le corps du drain et la base de douche.

**REMARQUE :** Le renvoi n'est pas compris et doit être commandé séparément.

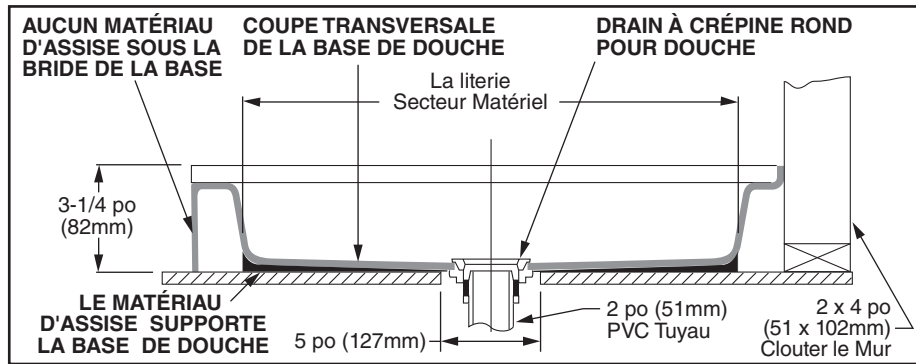
### DRAIN ENSEMBLE



**FIGURE B**

**3**

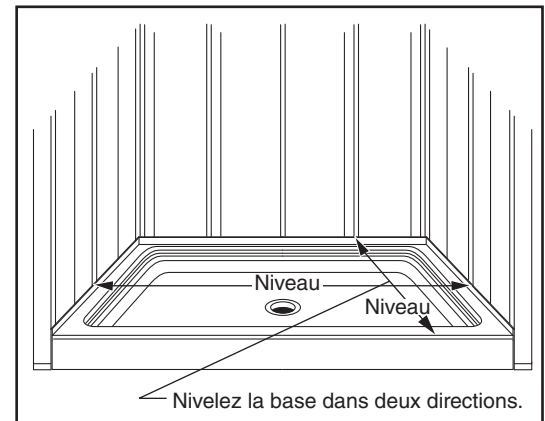
Mélangez un matériau d'assise à faible affaissement, par exemple du mortier, et appliquez une bonne couche de ce matériau pour supporter l'ensemble du fond de la base de douche. **Le béton N'est PAS recommandé. La base de douche NE doit PAS être supportée par la bride de la base.**

**FIGURE C****4**

Après avoir coulé le matériau d'assise (mortier) et après qu'il ne soit complètement durci, positionnez la base de douche en faisant coulisser le trou de vidange sur la conduite d'évacuation des eaux usées. (Figure C). Il sera nécessaire de « balancer » la base de douche d'un côté à l'autre jusqu'à ce que le dessus de la bride de carrelage soit alignée sur les lignes tracées sur les montants à l'étape 1. Assurez-vous que le tablier touche le plancher non fini sur toute la longueur de la base de douche; assurez-vous également que la base soit nivelée dans deux directions, selon ce qui est illustré à la Figure D.

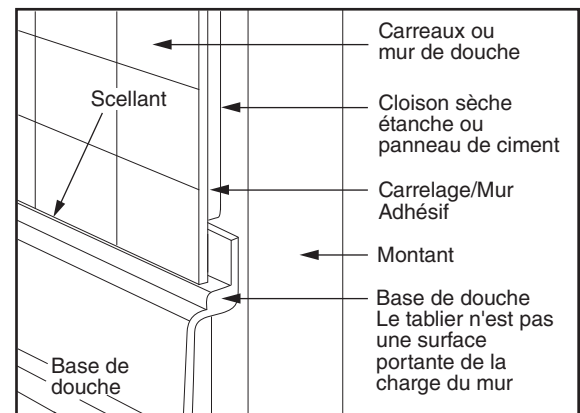
**Remarque :** Laissez le mortier durcir complètement avant de mettre du poids dans le fond de la base de douche.

Remplacez la crépine et remplissez le renvoi et les tuyaux avec de l'eau afin de vous assurer qu'il n'y a pas de fuites.

**FIGURE D****5**

Appliquez du ruban cache sur la crépine du trou de drainage de la base de douche afin d'en protéger le fini et d'empêcher les débris de construction de pénétrer dans le drain. Terminez l'installation de la base de douche de la façon illustrée à la Figure E.

Installez la cloison sèche étanche tout en laissant un dégagement d'environ 1/4 po (6 mm) à 1/2 po (13 mm) entre la base de douche et la cloison sèche pour empêcher l'eau de s'infiltrer.

**FIGURE E**

## **INSTALLATION APRÈS NETTOYAGE**

Éliminez tous les débris de construction. Le ciment de carrelage peut s'enlever au moyen d'une languette en bois ou un abaisse-langue. N'utilisez pas de brosses métalliques et ne frottez avec aucun objet métallique sur la surface.

Le nettoyage après l'installation peut, habituellement, être exécuté avec de l'eau tiède et du détergent liquide pour lave-vaisselle. Les tâches tenaces peuvent être éliminées avec des granules de Spic and Span<sup>MD</sup> mélangée avec de l'eau.

Le naphtha peut être utilisé pour éliminer l'excès d'adhésif et de la peinture à base d'huile fraîche.

## **SOINS et ENTRETIEN**

**▲ AVERTISSEMENT :** Les produits de nettoyage dont l'étiquette porte la mention à l'effet que le produit « ne convient pas pour l'ABS, l'acrylique ou le polystyrène » **NE DOIVENT PAS ÊTRE UTILISÉS.** Veuillez lire attentivement les étiquettes.

- De l'eau très chaude peut causer des dommages à la surface.
- **IL NE FAUT JAMAIS UTILISER DE PRODUITS CHIMIQUES RÊCHES SUR LES SURFACES DES PAROIS DE LA DOUCHE.** Après l'emploi, nettoyer avec un détergent ménager detergent cleaner. Do not use de Lestoil, le désinfectant Lysol (vaporisateur ou concentré), ni du Lysol pour cuvette, baignoire et carrelage, Windex, M. Clean, Nettoyant désinfectant pour salle de bain Dow ou produits de nettoyage en vaporisateur.
- Ne pas utiliser de brosse métallique, couteaux, ni objets tranchants pour éliminer les taches, dépôt de goudron de cigarette ni autres imperfections sur la surface.
- Les nettoyeurs abrasifs ou les poudres ne doivent pas être utilisés au risque de ternir la surface. Si la surface perd de son lustre, les parties ternies peuvent être restaurées en frottant avec une pâte à polir blanche pour carrosserie et en cirant avec une cire liquide.
- **Ne pas cirer les surfaces où vous marchez ni où vous vous tenez debout.**
- Ne pas échapper de dissolvant de vernis à ongles, d'acétone, de liquide pour nettoyage à sec, de décapant ou autres solvants sur les surfaces.
- Nettoyer immédiatement le pourtour après l'utilisation de produits de nettoyage de drain.
- Les brûlures de cigarette endommageront la surface.
- En cas de dommage à la robinetterie, les réparations peuvent être effectuées rapidement et facilement. Votre distributeur ou votre constructeur peut vous fournir les détails

## **GARANTIE À VIE LIMITÉE AS AMERICA, INC. POUR BASE DE DOUCHE**

AS America, Inc. (« American Standard ») garantit à l'acheteur consommateur original qu'elle, à sa discrétion, réparera ou remplacera cette baignoire à remous ou une des pièces jugée par American Standard, selon sa décision, comme étant défectueuse aux fins d'utilisation domestique et d'entretien pour la durée qu'elle demeure la propriété de l'acheteur consommateur original.

Afin de mettre cette garantie en vigueur, vous devez faire parvenir la carte d'enregistrement de garantie remplie à l'attention d'American Standard, prouvant l'achat.

En aucun cas, American Standard ne pourra être tenue responsable des frais de réparation ou de remplacement de matériel d'installation, y compris mais non limité à, carrelage, marbre, etc.

Cette garantie limitée **NE COUVRE PAS** ce qui suit

1. Les défauts ou les dommages subis pendant le transport, l'installation, une modification, un accident, un abus, une mauvaise utilisation, un manque d'entretien et de nettoyage adéquat comme spécifié dans le manuel de directives d'opération et d'entretien de l'utilisateur ainsi que l'utilisation de pièces de rechange autres que les pièces d'origine American Standard, dans tous les cas, causés par un plombier, une entreprise d'entretien, le propriétaire ou toute autre personne.
2. Détérioration causée par l'usure normale et les frais d'entretien normal.
3. Emploi commercial.
4. Options et accessoires. La garantie limitée d'American Standard pour ces articles est d'une année sur les pièces uniquement et exclus la main-d'œuvre. Cette garantie limitée d'une année couvre les accessoires fabriqués par American Standard (p. ex. tablier, drains, barres d'appui, chauffe-eau, trousse de garnitures) contre tout défaut de matériel et de fabrication. La couverture de la garantie entre en vigueur le jour de l'achat original de l'accessoire par l'acheteur.
5. Les frais de poste et de transport pour le renvoi des articles à réparer ou à remplacer conformément à la présente garantie limitée, ainsi que la main-d'œuvre et autres frais encourus en rapport avec l'enlèvement et l'installation conformément à la présente garantie limitée.
6. **CETTE GARANTIE LIMITÉE NE COUVRE PAS DE RESPONSABILITÉ POUR DES DOMMAGES CONSÉCUTIFS OU SECONDAIRES, QUI SONT PAR LA PRÉSENTE, DÉSAVOUÉS, NI L'EXTENSION DE CETTE GARANTIE LIMITÉE À TOUTES GARANTIES IMPLICITES, Y COMPRIS DE VALEUR MARCHANDE OU DE CONFORMITÉ POUR UN USAGE PRÉVU.** (Certaines juridictions ne permettent pas de limitation sur la durée d'une garantie implicite, ni l'exclusion ou la limite de dommages secondaires ou consécutifs, dans tel cas, ces limites et exclusions ne s'appliquent pas à vous).
7. La responsabilité de conformité aux codes du bâtiment locaux. (Étant donné que les codes du bâtiment locaux diffèrent fortement, les distributeurs, détaillants, concessionnaires, entrepreneurs en installation et utilisateurs d'articles de plomberie doivent déterminer s'il existe des restrictions concernant l'installation ou l'utilisation d'un article en particulier.

Cette garantie limitée vous donne des droits juridiques spécifiques. Vous pourriez vous prévaloir d'autres droits prévus par la loi qui varient d'un État à l'autre ou d'une province à l'autre, dans lequel cas cette garantie n'a aucun effet sur ces droits prévus par la loi.

Pour obtenir un service en vertu de cette garantie, il est suggéré qu'une réclamation soit adressée par l'entremise de l'entrepreneur ou du marchand auprès de qui le produit a été acheté, ou qu'une demande de service (incluant une description du modèle du produit et de la défectuosité) soit acheminée à l'adresse suivante :

### **Aux États-Unis:**

American Standard Brands  
1 Centennial Ave

Piscataway, New Jersey 08854

Attention: Directeur à la consommation

Les résidents des États-Unis peuvent aussi obtenir l'information sur la garantie en composant sans frais le (800) 442-1902  
[www.americanstandard.com](http://www.americanstandard.com)

### **Au Canada:**

LIXIL Canada ULC

5900 Avebury Rd.

Mississauga, Ontario

Canada L5R 3M3

Sans frais: (800) 387-0369  
[www.americanstandard.ca](http://www.americanstandard.ca)

### **Au Mexique :**

American Standard B&K Mexique

S. de R.L. de C.V.

Via Morelos n° 330

Col. Santa Clara

Ecatepec 55540 Edo. Mexique

Sans frais: 01-800-839-1200  
[www.americanstandard.com.mx](http://www.americanstandard.com.mx)



## ENTRETIEN :

Votre nouvelle porte de douche American Standard est constituée de deux matériaux primaires : de l'acier trempé et de l'aluminium anodisé. Afin d'assurer une finition durable de la porte, essuyez-la avec un chiffon après chaque utilisation.

Pour effectuer un nettoyage occasionnel plus approfondi, le nettoyeur non abrasif pour salle de bain Lysol fonctionne très bien. Veiller à rincer correctement et sécher le cadre en aluminium pour enlever entièrement le produit nettoyant.

Beaucoup de produits nettoyants en vente libre appliqués sur l'aluminium et laissés ainsi détériorent la finition métallique et provoquent des dommages permanents même s'il est indiqué que ces produits peuvent être utilisés en toute sécurité pour le nettoyage des portes de douche. Ne jamais utiliser d'agents abrasifs pour nettoyer l'aluminium.

## AS AMERICA, INC. GARANTIE LIMITÉE À VIE POUR LES PORTES DE DOUCHE

AS America, inc. (American Standard) garantit au consommateur/acheteur original qu'elle réparera ou remplacera, à sa convenance, ce produit ou toute pièce du produit qui, selon American Standard et à son entière discrétion, a un défaut de matériau ou de fabrication, dans un contexte d'utilisation et d'entretien normal, pendant toute la durée de vie du produit.

Cette garantie ne s'applique pas aux installations commerciales. Les installations commerciales ont une garantie limitée de trois (3) ans.

Cette garantie limitée NE S'APPLIQUE PAS dans les situations suivantes :

1. Toute défectuosité ou tout dommage provenant de l'expédition, de l'installation, de modifications, d'accidents, d'abus, d'un mauvais usage, d'un manque d'entretien adéquat et de l'utilisation de pièces de rechange autres que les pièces d'origine American Standard, dans tous les cas causés par un entrepreneur en plomberie, une entreprise de service, le propriétaire ou toute autre personne.
2. La détérioration suite à l'usage et à l'usure normale.
3. LES DOMMAGES CAUSÉS PAR L'EAU OU TOUT AUTRE DOMMAGE CAUSÉ PAR UNE MAUVAISE UTILISATION, UNE UTILISATION ABUSIVE, L'OMISSION D'INSTALLER OU DE MAINTENIR CE PRODUIT DE PLOMBERIE CONFORMÉMENT AUX INSTRUCTIONS ÉCRITES FOURNIES PAR AS AMERICA, INC.
4. L'UTILISATION DE PRODUITS NETTOYANTS CONTENANT DE L'HYPOCHLORITE DE CALCIUM (DU CHLORE), DE POUDRES OU DE TAMPON À RÉCURER N'EST PAS COUVERTE.
5. L'UTILISATION DE BOUGIES PARFUMÉES PRÈS DE CE PRODUIT PEUT CAUSER DES TACHES PERMANENTES SUR LA FINITION.
6. Frais d'entretien normaux.
7. Tous les coûts d'enlèvement, de transport, de main-d'oeuvre et de réinstallation, ou tout coût connexe, y compris les frais d'expédition afin d'obtenir les services couverts par la garantie, devront être couverts par le consommateur.
8. TOUTE RESPONSABILITÉ POUR LES DOMMAGES INDIRECTS OU CONSÉCUTIFS EST EXPRESSÉMENT REJETÉE. TOUTES LES GARANTIES IMPLICITES, INCLUANT CELLES DE QUALITÉ MARCHANDE OU D'APTITUDE DANS UN BUT PARTICULIER, SONT PARTICULIÈREMENT EXCLUES. (Certains territoires ne permettent pas de limitations sur la durée d'une garantie limitée implicite, ou l'exclusion ou la limitation de dommages indirects ou consécutifs; ces limitations peuvent donc ne pas s'appliquer à vous.)
9. La responsabilité de se conformer aux exigences locales N'EST PAS COUVERTE PAR CETTE GARANTIE. (Puisque les exigences locales varient largement, les distributeurs, les marchands, les entrepreneurs en installation et les utilisateurs des produits de plomberie devraient déterminer si des restrictions du code s'appliquent à l'installation ou à l'utilisation d'un produit spécifique.)

La présente garantie limitée vous confère des droits juridiques particuliers. Vous pouvez vous prévaloir d'autres droits prévus par la loi, variables d'un État à l'autre ou d'une province à l'autre, auquel cas cette garantie n'affecte pas lesdits droits.

Pour obtenir un service en lien avec cette garantie limitée, il est suggéré de soumettre une réclamation accompagnée d'une preuve d'achat ou du reçu original par l'entremise de l'entrepreneur ou du détaillant auprès duquel le produit a été acheté, ou une demande de service (incluant une description du modèle du produit et de la défectuosité), à l'adresse suivante :

### Aux États-Unis :

American Standard Brands  
1, Centennial Ave.  
Piscataway, New Jersey 08854  
Attention : Directeur ou directrice de la consommation

Pour les résidents des États-Unis, il est également possible d'obtenir les renseignements relatifs à la garantie en appelant au numéro sans frais suivant :  
800-442-1902.  
www.americanstandard.com

### Au Canada :

AS Canada, ULC  
5900 Avebury Rd.  
Mississauga (Ontario)  
Canada L5R 3M3

Sans frais : 800-387-0369  
www.americanstandard.ca

### Au Mexique :

American Standard B&K Mexico  
S. de R.L. de C.V.  
Via Morelos #330  
Col. Santa Clara  
Ecatepec 55540 Edo. Mexico  
Sans frais : 01-800-839-1200  
www.americanstandard.com.mx

## INSTALLATION INSTRUCTIONS

American  
Standard

## PASSAGE™ 60x72 FRAMELESS SHOWER DOOR MODEL: AM801703400 SERIES

Thank you for selecting American Standard – the benchmark of fine quality for over 100 years. To ensure this product is installed properly, please read these instructions carefully before you begin. (Certain installations may require professional help.) Also be sure your installation conforms to local codes.

Visit <http://www.americanstandard-us.com/passage-collection> for coordinating products.

### GENERAL INFORMATION

Please inspect the product immediately upon receipt for transit damage, missing packs/parts or manufacturing fault. Damage reported later cannot be accepted. Please handle the product with care avoiding knocks and shocks, or loading to all sides and edges of the glass.

**IMPORTANT: TEMPERED GLASS CANNOT BE DRILLED, CUT OR MODIFIED.**

### READ THE INSTRUCTIONS CAREFULLY

Familiarize yourself with all the parts as shown in the assembly drawing. The assembly drawing will also provide a helpful reference when relating the location of the various parts and how they are mounted.

Special care should be taken when drilling walls to avoid hidden pipes or electrical cables.

**Note:** This product is heavy and requires two people for a portion of the installation.

**For product quality or installation issues, we would like to hear from you. Please don't hesitate to call American Standard at 800-442-1902 and follow the prompts for consumer/shower doors.**

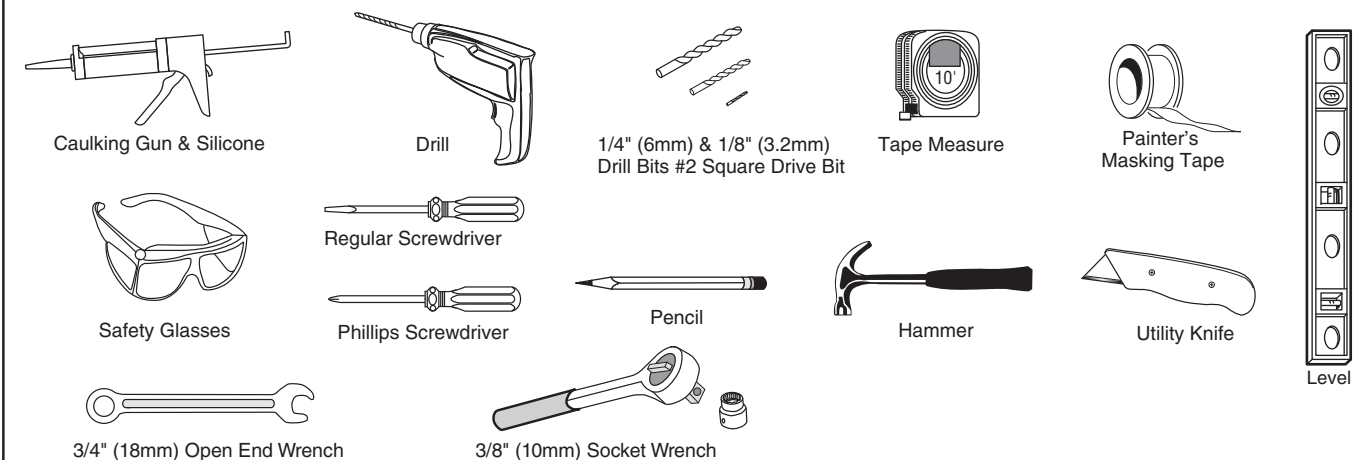
### AFTER-CARE INSTRUCTIONS

After use, your shower should be cleaned with soap and water. This is particularly important in hard water districts where insoluble lime salts may be deposited and allowed to build up. Cleaners of a gritty or abrasive nature should not be used. Care should be taken to avoid contact with strong chemicals such as organic solvents and strippers.

Glass cleaners can be used, but with caution; if in doubt, contact the manufacturer of the cleaner in question.

Please keep these instructions for aftercare and customer service details.

### REQUIRED TOOLS AND MATERIALS

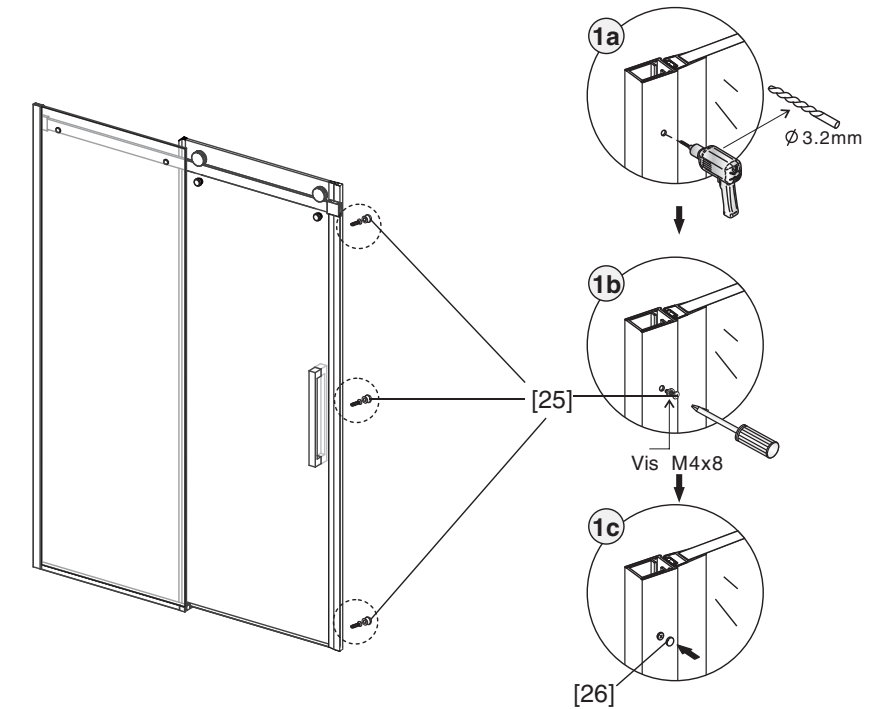


Product names listed herein are trademarks of AS America Inc.  
© AS America Inc. 2018

BOX CONTENTS	
[1] 1x Horizontal Rail	
1 Installation Instructions	
[2] 1x Door Handle	
[3] 1x Pan Head Screw M4x35 [4] 1x Wall Anchor [5] 1x Screw Cover Cap [6] 1x Bottom Guide [7] 1x Shim	
[8] 2x Rollers	
[9] 2x Fixed Panel Fasteners [10] 2x Door Panel Guards	
[11] 2x Wall Connectors [12] 2x Connector Base Mounts [13] 2x Cushions [14] 4x Wall Anchors [15] 4x Flat Head Screws M5x35 [33] 1x Limit Block	
[16] 1x Side Gasket [17] 1x Water Deflector [18] 1x Bottom Door Gasket [19] 1x Magnetic Seal	
[20] 1x Post [21] 1x Sliding Wall Post [22] 1x Fixed Wall Post	
[23] 7x Screws M4x35 [24] 7x Wall Anchors	
[25] 3x Screws M4x10 [26] 3x Screw Cover Caps	
[27] 4x Channel Shims [28] 1x U Channel	
[29] 1x Aluminum Seal [30] 2x Connectors	
[31] 1x Fixed Panel	
[32] 1x Sliding Door Panel	

## 9 FIXER LE MATÉRIEL SUR LE MONTANT

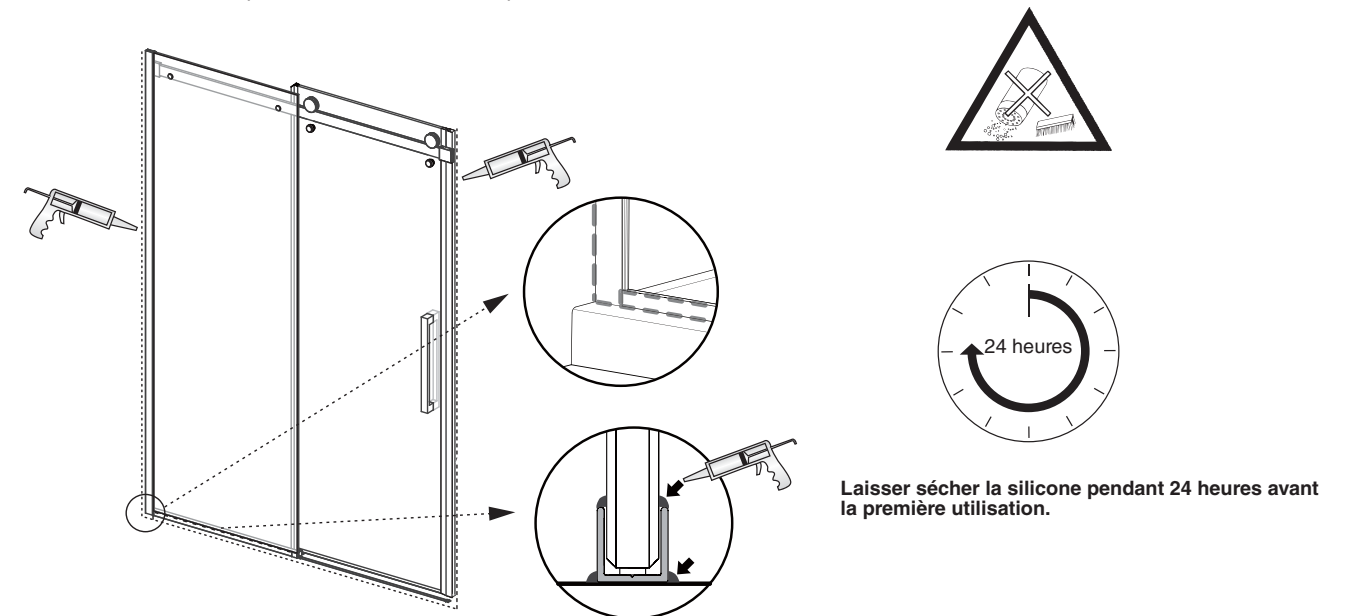
- 1a. Trois trous sont pré-perçés dans le montant [20] et peuvent être utilisés pour indiquer les emplacements à percer dans le montant mural coulissant [21] de l'intérieur de la douche. Retirer le montant et percer les emplacements indiqués avec une mèche de 1/8 po.
- 1b. Replacer le montant [20] sur le montant mural coulissant [21] et utiliser trois vis M4x8 fournies en plaçant des coupes de plastique dans chaque vis utilisée pour tenir les capuchons de vis [26], puis visser et fixer le montant sur le montant mural coulissant.
- 1c. Couvrir chaque tête de vis à l'aide d'un capuchon de vis [26] pour terminer.



## 10 APPLIQUER LA SILICONE

Appliquer la silicone sur tous les emplacements intérieurs et extérieurs comme illustré.

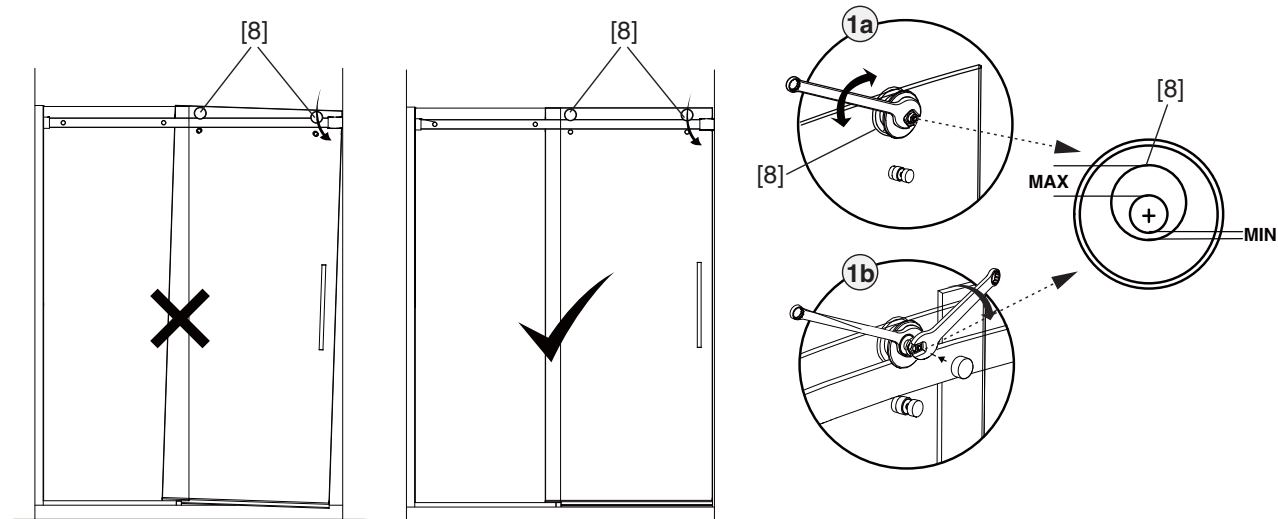
Laisser sécher la silicone pendant 24 heures avant la première utilisation.



## 7

### AJUSTER LE PANNEAU DE PORTE COULISSANT

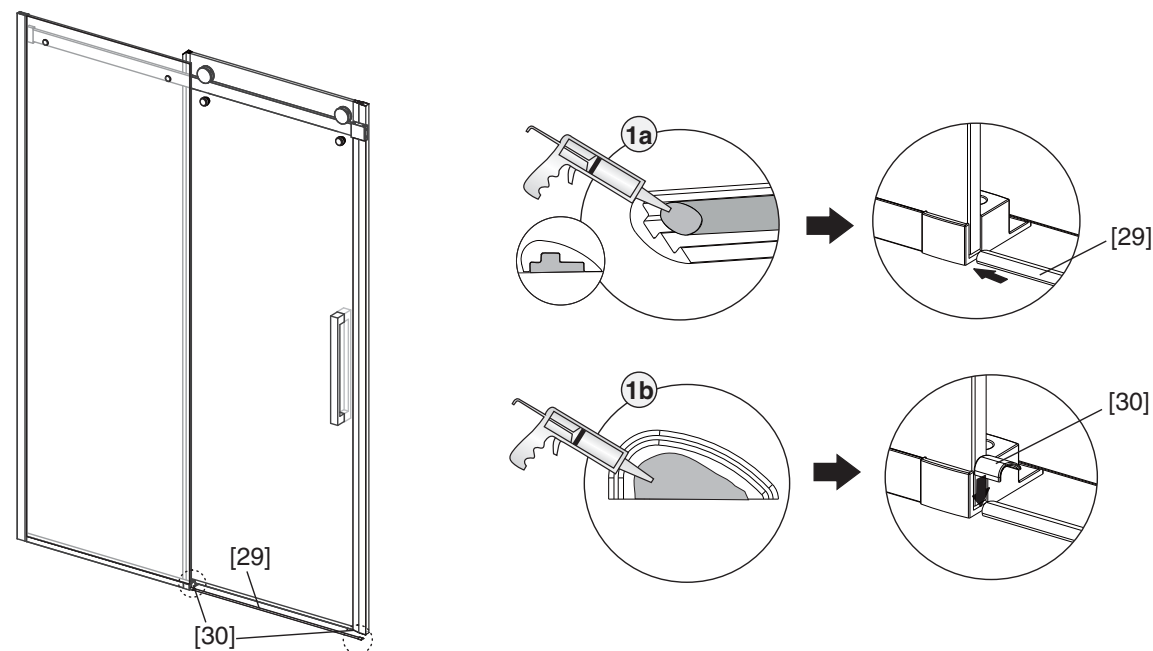
- 1a. Une fois l'assemblage terminé, il peut être nécessaire d'ajuster le panneau de porte coulissant [32] pour qu'il fonctionne correctement. Vous pouvez le faire en ajustant les cylindres [8] fixés au panneau de porte coulissant en desserrant l'écrou métallique des cylindres.
- 1b. Utiliser une douille de 10 mm pour desserrer légèrement l'écrou métallique du cylindre et une clé à fourche de 18 mm pour tourner le dispositif de retenue en plastique qui permettra à la porte de monter ou descendre à cet endroit si vous ajustez ou tournez la clé. Des ajustements peuvent être apportés aux deux cylindres pour obtenir un fonctionnement et une position adéquates de la porte.



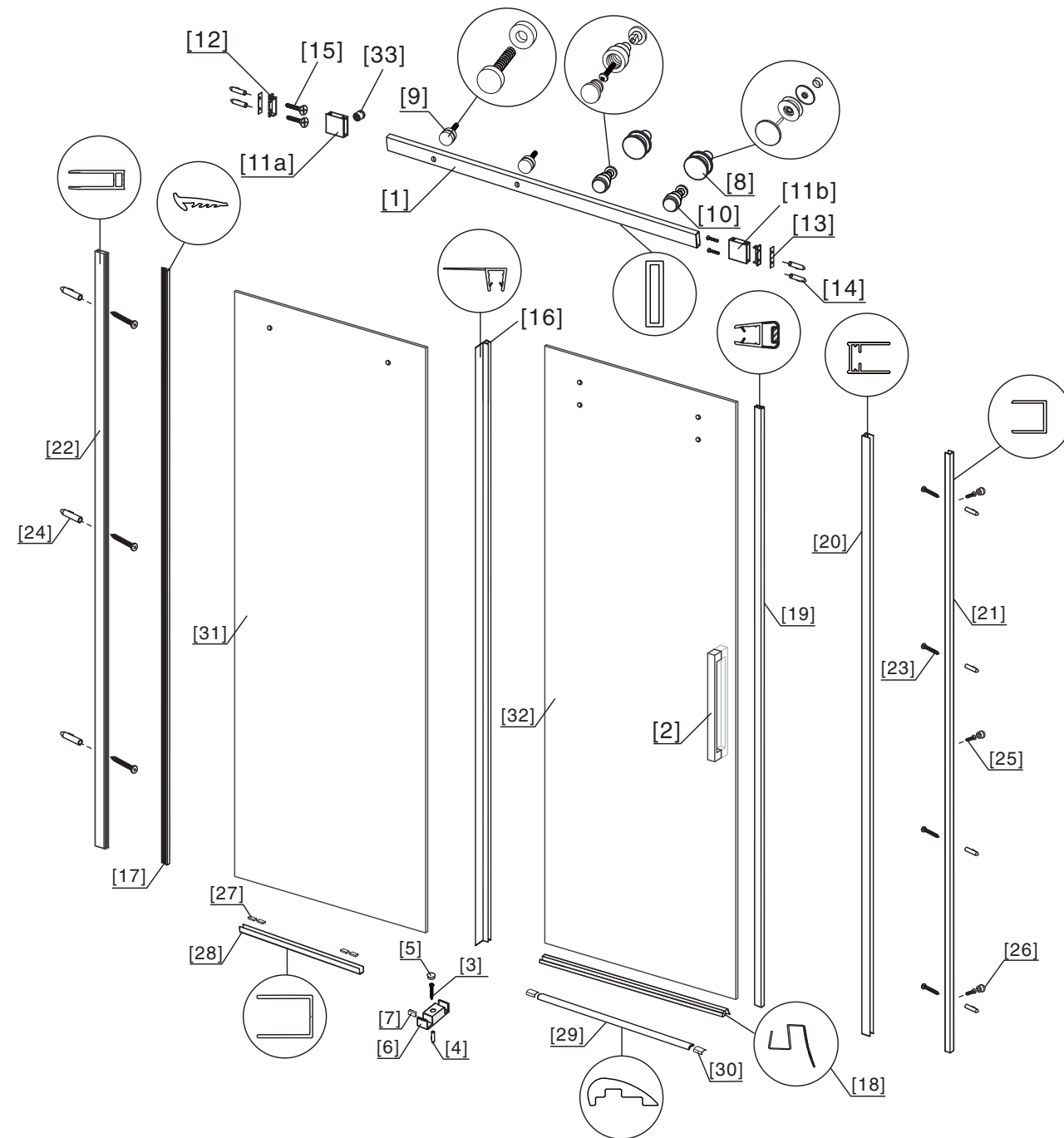
## 8

### INSTALLER LE JOINT D'ALUMINIUM [29]

- 1a. Positionner le joint d'aluminium [29] du côté de l'entrée/du panneau de porte coulissant [32] de la douche en alignement avec le panneau fixe [31]. Appliquer et remplir une petite quantité de mastic dans la rainure ou sous le joint d'aluminium et le replacer à l'entrée de la douche en maintenant le côté en pente du joint pointé vers l'intérieur de la douche.
- 1b. 2 extrémités de connecteurs [30] sont fournies pour couvrir tout écart aux deux extrémités du joint d'aluminium et peuvent être placées à gauche et à droite pour finir. Fixer les connecteurs sur les extrémités du joint à l'aide de mastic.



## ASSEMBLY DRAWING



- |                              |                               |                            |
|------------------------------|-------------------------------|----------------------------|
| [1] 1x Horizontal Rail       | [12] 2x Connector Base Mounts | [23] 7x Screws M4x35       |
| [2] 1x Door Handle           | [13] 2x Cushions              | [24] 7x Wall Anchors       |
| [3] 1x Screws M4x35          | [14] 4x Wall Anchors          | [25] 3x Screws M4x10       |
| [4] 1x Wall Anchor           | [15] 4x Screws M5x35          | [26] 3x Screw Cover Caps   |
| [5] 1x Screw Cover Cap       | [16] 1x Side Gasket           | [27] 4x Channel Shims      |
| [6] 1x Bottom Guide          | [17] 1x Water Deflector       | [28] 1x U Channel          |
| [7] 1x Shim                  | [18] 1x Bottom Door Gasket    | [29] 1x Aluminum Seal      |
| [8] 2x Rollers               | [19] 1x Magnetic Seal         | [30] 2x Connectors         |
| [9] 2x Fixed Panel Fasteners | [20] 1x Post                  | [31] 1x Fixed Panel        |
| [10] 2x Door Panel Guards    | [21] 1x Sliding Wall Post     | [32] 1x Sliding Door Panel |
| [11] 2x Wall Connectors      | [22] 1x Fixed Wall Post       | [33] 1x Limit Block        |

## INSTALLATION NOTES:

This unit is best installed by two people.

Cover drain with tape prior to installation to prevent the loss of small parts.

Unpack your unit carefully and inspect for freight damage. Lay out and identify all parts using Box Contents and Assembly Drawing as a reference. Before discarding the carton check to see that no small hardware parts have fallen to the bottom of the box. If any parts are damaged or missing refer to the description noted in the instructions when inquiring about replacements.

Handle the glass panels carefully and protect the edges. Although tempered glass is very resistant to breakage the glass can still break if unequal pressure is applied during installation and the sharp corners of the panel can damage tile and flooring surface.

Be sure to wear safety glasses whenever drilling or cutting. When drilling holes in ceramic tile or marble use a center punch and hammer to carefully break the glazed surface. This will prevent skidding when drilling.

**NOTE: TEMPERED GLASS CANNOT BE DRILLED, CUT OR MODIFIED.**

## 1 ATTACHING CONNECTOR BASE MOUNTS AND FIXED WALL POST

**NOTE:** The illustrations below show the door assembled with the handle on the right side of shower. If the door is to be assembled so the handle is on the left side, the door panels and procedure need to be reversed in those areas.

1a. Determine approximate location of Fixed Wall Post [22] from threshold edge of shower pan approx. 15/16" (23mm) and plumb.

1b. Mark top 2 hole locations in the Fixed Wall Post [22] onto shower wall.

**NOTE:** The 2 top holes in the Fixed Wall Post [22] are used for marking where to drill holes as a template for Connector Base Mounts [12] on both left and right sides of shower, not for mounting screws.

1c. Drill a 1/4" (6mm) pilot hole (if using Wall Anchors [14]) at each of the 2 marked locations.

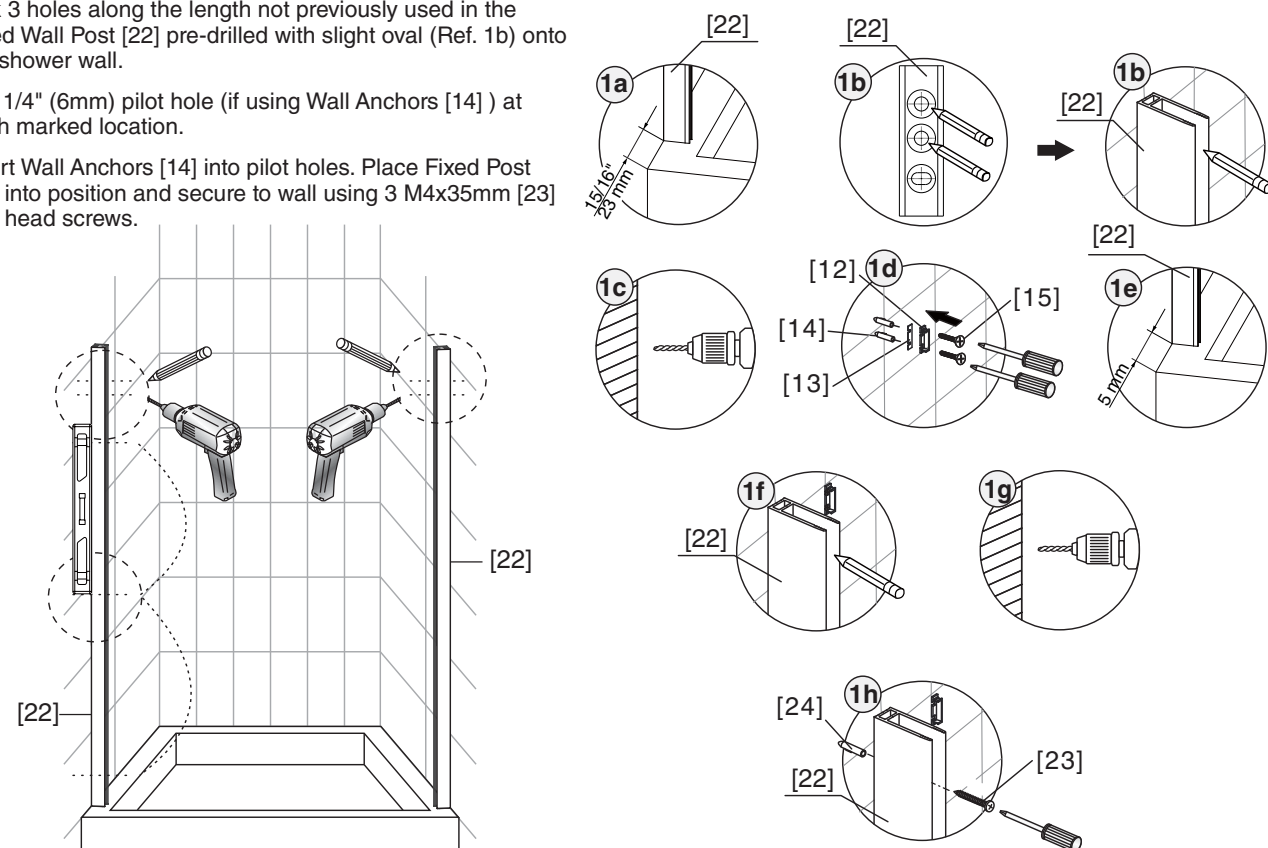
1d. Insert Wall Anchors [14] into pilot holes of wall. Remove Connector Base Mounts [12 a & b] from Wall Connectors [11], place a clear plastic Cushion [13] between the Base Mount and shower wall keeping the finished, chrome plated edge of Base facing inside shower and screw into place using 2 M5x35 Flathead Screws [15]. Repeat procedure (1a-1d) for mounting Connector Base Mount on opposite side of shower, keeping the finished chrome plated edge of base facing outside of shower.

1e. Once both Connector Base Mounts [12 a & b] are secured to the wall, place Fixed Wall Post [22] on side of shower that will hold the Fixed Glass Panel [31] and mark approximately 3/16" (5mm) from threshold edge of shower pan and plumb.

1f. Mark 3 holes along the length not previously used in the Fixed Wall Post [22] pre-drilled with slight oval (Ref. 1b) onto the shower wall.

1g. Drill 1/4" (6mm) pilot hole (if using Wall Anchors [14]) at each marked location.

1h. Insert Wall Anchors [14] into pilot holes. Place Fixed Post [22] into position and secure to wall using 3 M4x35mm [23] pan head screws.



## 6 FIXER LE PANNEAU DE PORTE COULISSANT AU RAIL HORIZONTAL

1a. Placer minutieusement le panneau de porte coulissant [32] sur le rail horizontal [1] depuis l'intérieur de la douche et sur les cylindres [8].  
**REMARQUE : 2 personnes nécessaires.**

1b. Veiller à ce que le bas du panneau de porte coulissant [32] entre dans la rainure ouverte du guide inférieur [6] et soit mis en place.

1c. Retirer le capuchon de protection fileté du protège-panneau de porte [10] (extrémité en plastique transparent) et retirer la vis de rétention à l'intérieur à l'aide du tournevis cruciforme et séparer les deux pièces.  
**REMARQUE : Ne pas perdre l'écarteur en plastique entre ces deux pièces! Avec les deux rondelles en plastique transparent fournies, placer une rondelle sur une extrémité du protège-panneau et une rondelle sur l'autre extrémité, et les faire passer dans le trou du panneau de porte coulissant [32] avec l'extrémité la plus épaisse orientée vers l'extérieur de la douche. Remettre la vis cruciforme en place et serrer.**  
**REMARQUE : Si la vis ne rentre plus dans le filetage, les deux pièces sont clavetées et il peut être nécessaire de les faire tourner à 180 degrés. Les protège-panneaux de porte peuvent être ajustés de sorte à être le plus proches du rail horizontal [1] possible pour éviter que la porte ne sorte du rail horizontal.**

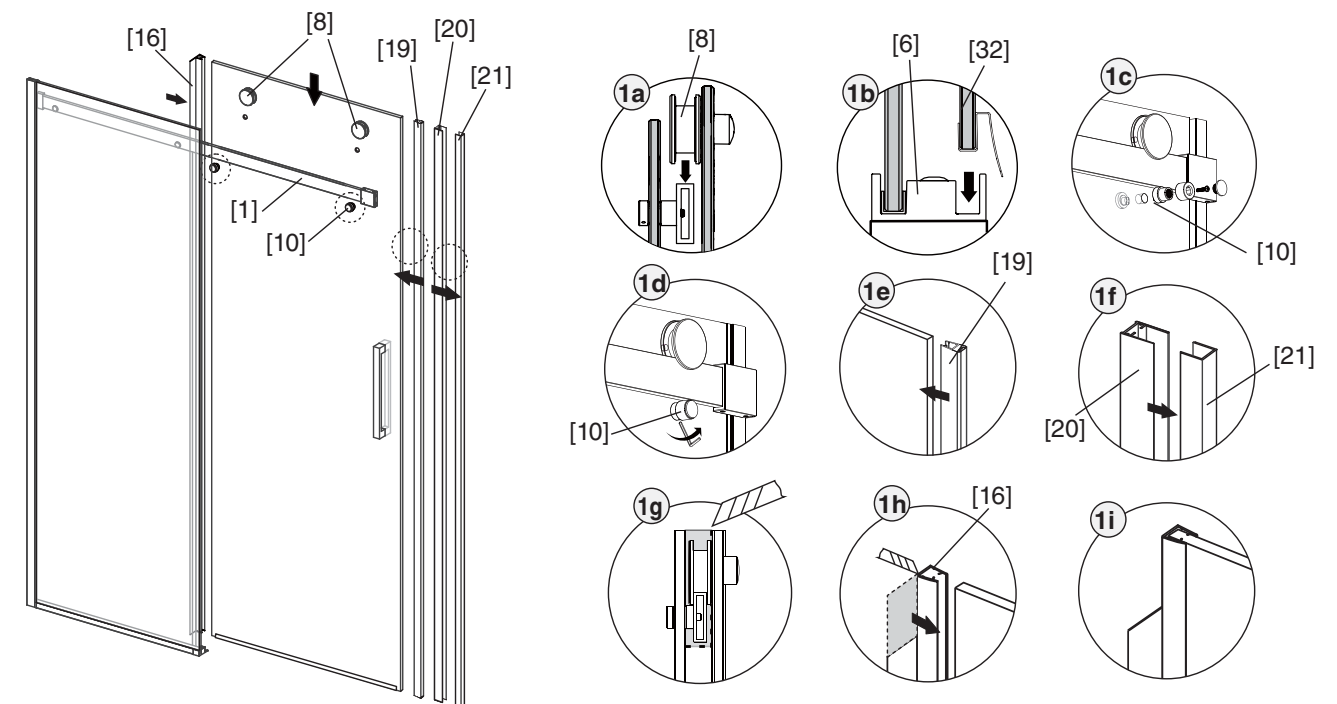
1d. Il peut être nécessaire de placer une clé hexagonale sur l'un des trous du protège-panneau pour faire office de poignée ou de levier pendant que vous serrez la vis. Placer le capuchon de protection fileté sur le protège-panneau de porte. Reproduire pour l'autre protège-panneau.

1e. Fixer le joint magnétique [19] sur le côté du panneau où se trouve la poignée de la porte et l'enclencher.

1f. Fixer le montant [20] sur le montant mural coulissant [21] et l'enclencher en place.

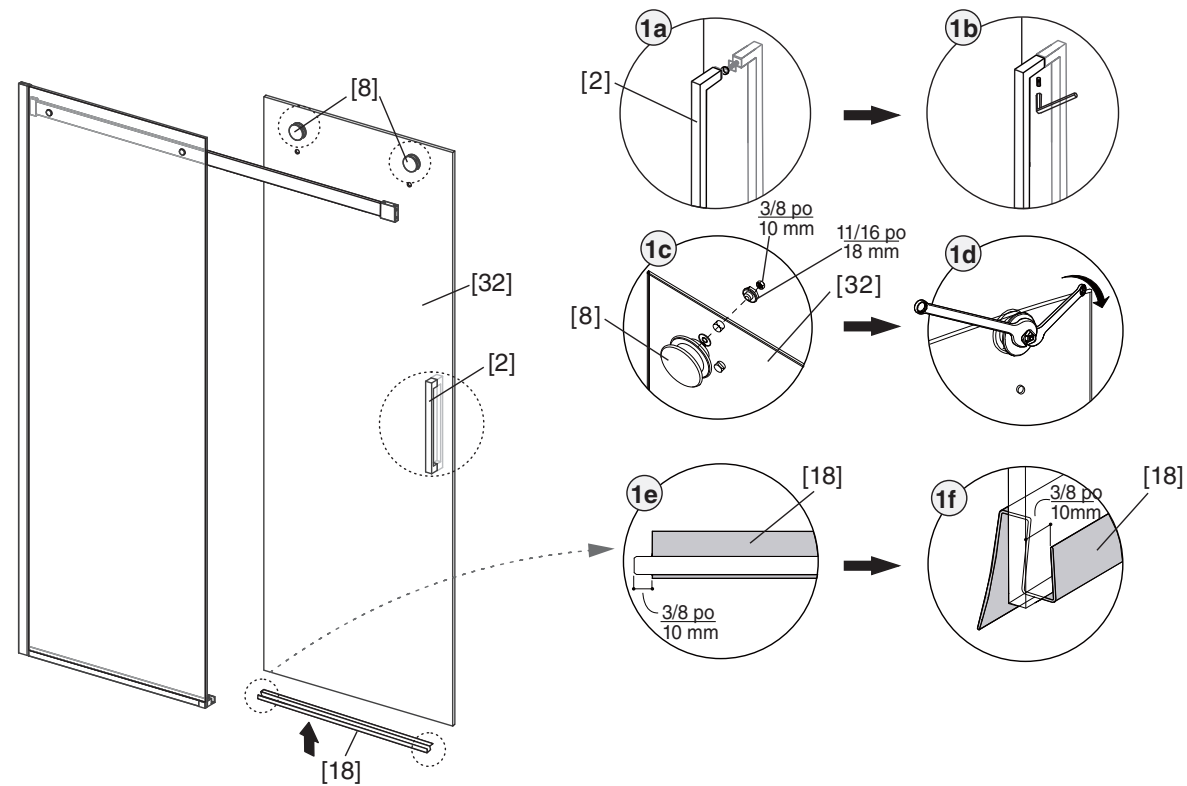
1g. Fixer le joint latéral [16] sur le côté opposé du panneau de porte coulissant [32] en maintenant le côté le plus large orienté vers l'extérieur de la douche.

1h & 1i Il peut être nécessaire de couper une portion du joint latéral [16] vers le haut pour laisser suffisamment d'espace pour le rail horizontal [1].



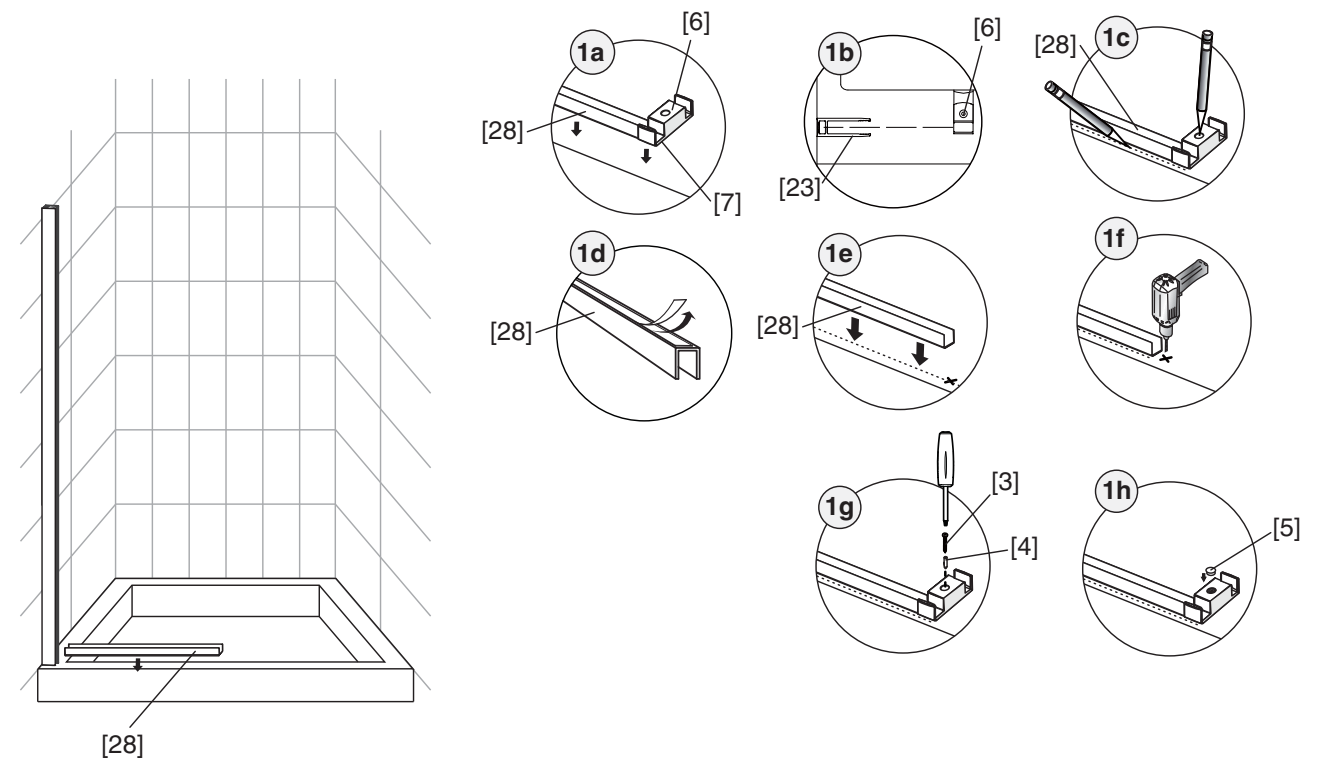
## 5 ASSEMBLER LES CYLINDRES ET LA PORTE DE PANNEAU COULISSANT

- 1a. Installer la poignée de porte [2] sur le panneau de porte coulissant [32] en laissant les rondelles en plastique transparent entre le panneau de verre et la poignée.
- 1b. Serrer les vis hexagonales pour fixer la poignée de porte.
- 1c. Retirer les écrous de métal de 10 mm et le dispositif de retenue en plastique de 18 mm du cylindre [8] et placer minutieusement l'extrémité fileté dans le trou du panneau de porte coulissant tourné vers l'extérieur [32] en tenant les rondelles de plastique transparent entre le cylindre et le panneau de verre. Depuis le côté intérieur du panneau, placer le dispositif de retenue de plastique de 18 mm dans les filetages du cylindre et dans le trou du panneau de verre, tourner pour serrer.
- 1d. Fixer l'écrou métallique et serrer à l'aide d'une douille de 10 mm et d'une clé à fourche de 18 mm pour le dispositif de retenue en plastique.
- 1e. Faire coulisser le joint de porte inférieur [18] sur le bas du panneau de porte coulissant [32] en maintenant la partie la plus large du rabat vers l'intérieur de la douche.
- 1f. Il peut être nécessaire de couper ou tailler le matériau du joint de la porte d'environ 3/8 po (10 mm) du bord du panneau de porte coulissant.



## 2 INSTALLING FLOOR U CHANNEL AND BOTTOM GUIDE

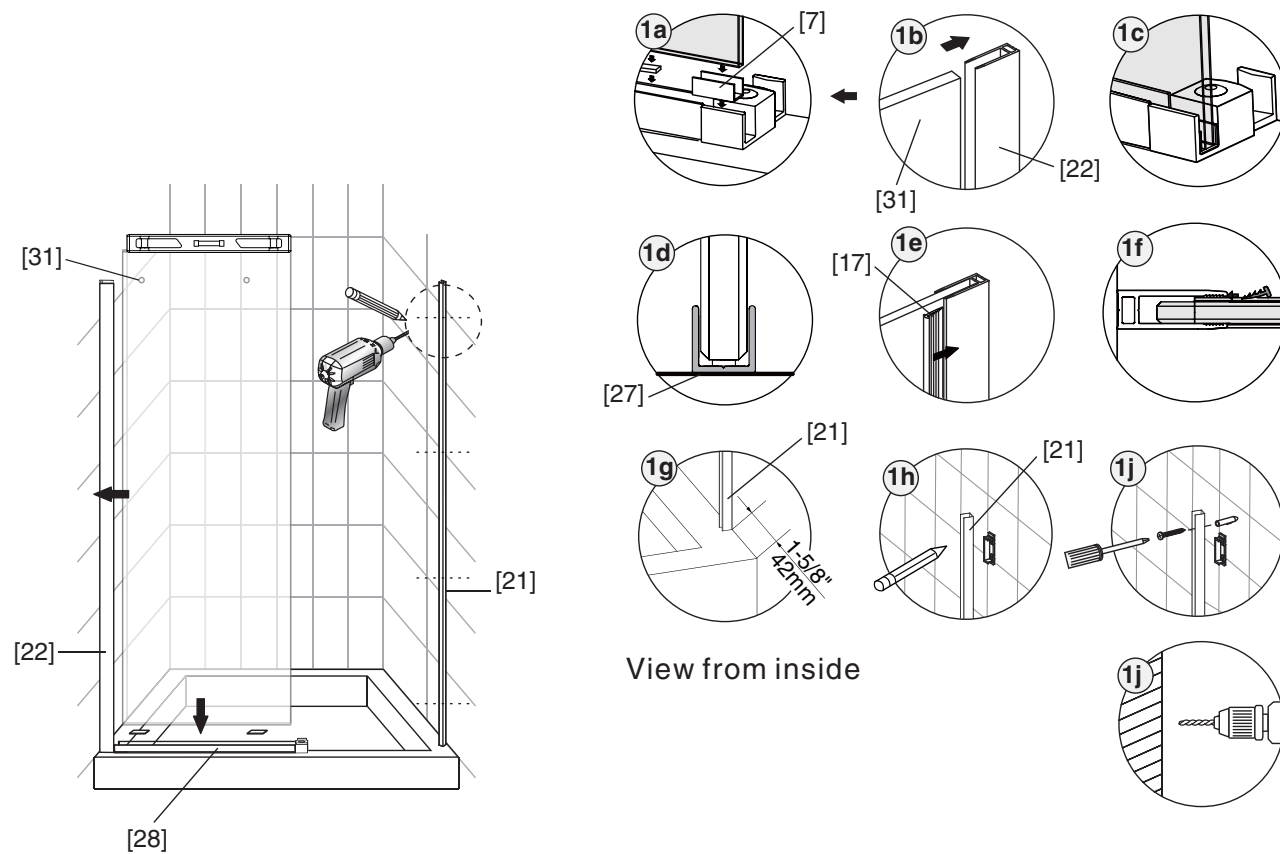
- 1a. Place U Channel [28] and Bottom Guide [6] on Fixed Wall Post [21] side of threshold edge of shower pan.  
**NOTE:** One side of Bottom Guide is meant to hold the Fixed Panel [31] (with the rubber Shim [7]), while the other side is meant to hold the sliding Door Panel [32] (without rubber Shim [7]).
- 1b. Align U Channel [28] and Bottom Guide [6] with center of Fixed Wall Post [21] keeping the same distance from the showers threshold edge.
- 1c. Mark a line on outside of U Channel also marking mounting hole of Bottom Guide on shower threshold.
- 1d. Remove protective paper from adhesive tape on bottom of U Channel [28].
- 1e. Place U Channel back onto threshold at marked line and press down to hold securely in place.
- 1f. Drill pilot hole for Bottom Guide using 1/4" (6mm) drill bit.
- 1g. Insert Wall Anchor [4] into pilot hole and fasten Bottom Guide [6] using M4x35 [3] Pan Head Screw.
- 1h. Cover screw hole in Bottom Guide using Screw Cover Cap [5].



### 3 ASSEMBLING FIXED PANEL AND SLIDING WALL POST

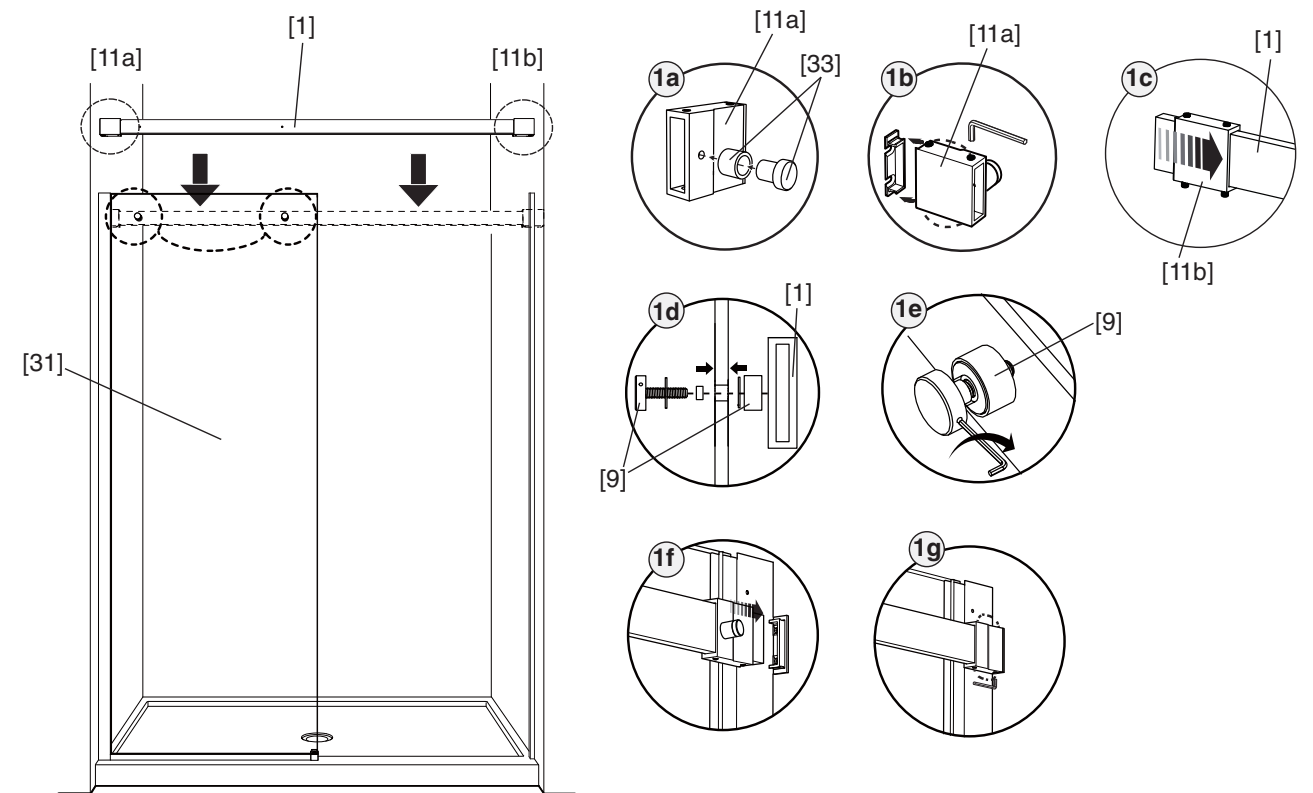
**NOTE: TWO PEOPLE REQUIRED**

- 1a. Ensure Shim [7] is in groove on Bottom Guide [6] for Fixed Panel side.
- 1b. Carefully place Fixed Panel [31] fully into U Channel [28] and Fixed Wall Post [22].  
**NOTE:** 2 people required.
- 1c. Check that Fixed Panel is fully and securely in place and panel is at far end (close to flush) on groove of Bottom Guide.
- 1d. Place level on top of Fixed Panel, if necessary level using Channel Shims [27] under Fixed Panel.  
**NOTE:** Channel Shims come in 2 different thicknesses.
- 1e & 1f. Once panel is leveled and in place, insert Water Deflector [17] on inside shower between Fixed Panel [31] and Fixed Wall Post [22].
- 1g. To install Sliding Wall Post [21] place on opposite side of shower entrance wall and mark approximately 1-5/8" (42mm) from threshold edge of shower pan.
- 1h. Ensure Sliding Wall Post is plumb, then mark all 4 screw hole locations.
- 1i. Drill pilot hole at each marked location using a 1/4" (6mm) drill bit (if using Wall Anchors [24]).
- 1j. Insert Wall Anchors [24], place Wall Post into position and screw using M4x35 [23].



### 4 ASSEMBLER LE RAIL HORIZONTAL ET LES CONNECTEURS MURAUX.

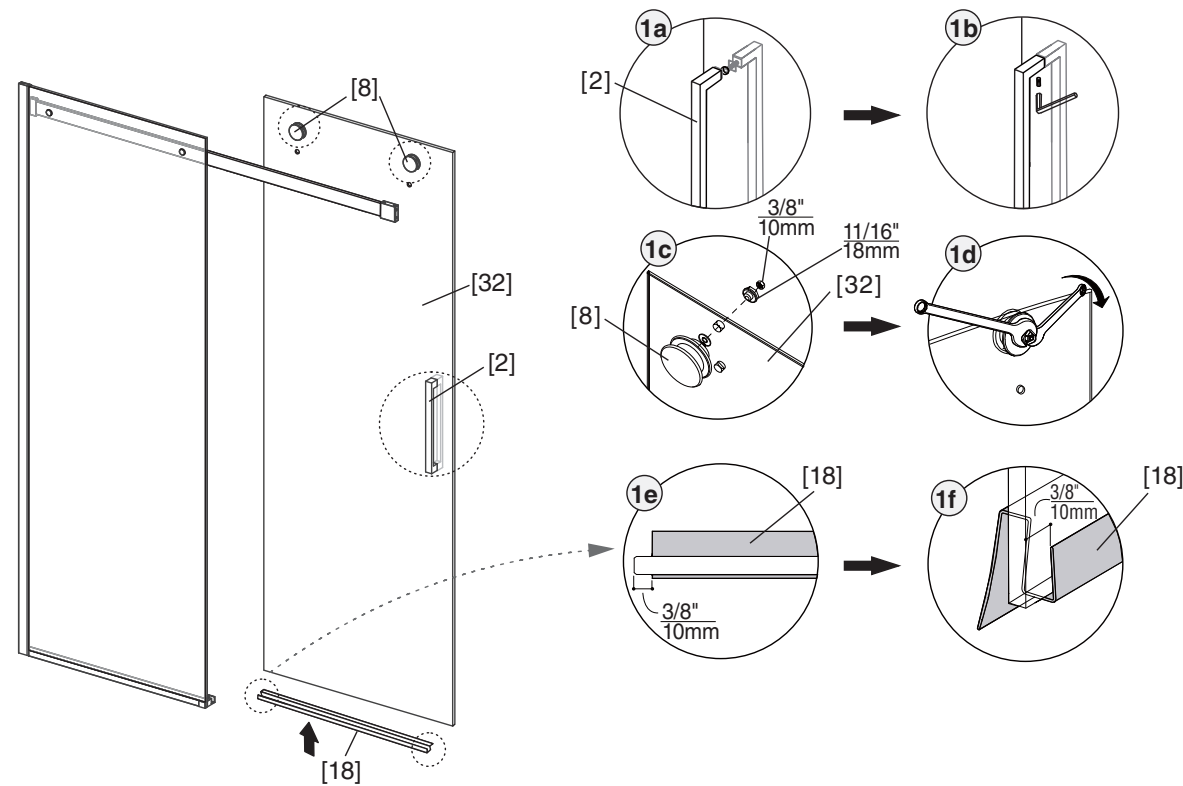
- 1a. Fixer les blocs de limite [33] au connecteur mural [11a]. REMARQUE : Le connecteur mural [11a] compte un trou fileté sur un côté prévu pour le bloc de limite.
- 1b. Fixer le connecteur mural avec le bloc de limite au montant de connecteur de base [12] sur le côté du panneau fixe [31] de la douche et serrer deux vis Allen à l'aide de la clé Allen hexagonale fournie.
- 1c. Faire coulisser le deuxième connecteur mural [11b] sur l'extrémité du rail horizontal [1] (2 trous filetés opposés) en maintenant le côté en chrome plaqué orienté vers l'extérieur de la douche et serrer légèrement toutes les vis hexagonales. Insérer l'extrémité opposée du rail horizontal [1] (extrémité avec deux trous filetés face au panneau fixe) sur le connecteur mural [11a] et aligner les trous filetés sur le rail avec les trous sur le verre du panneau fixe [31]. Faire glisser ensuite le connecteur mural [11b] sur le montant de connecteur de base sur l'autre côté de la douche et légèrement serrer les vis hexagonales du connecteur mural [11b] pour le faire tenir en place.
- 1d. Insérer l'extrémité filetée de l'attache de panneau fixe [9] dans le trou du verre du panneau fixe [31] depuis l'extérieur de la douche en maintenant l'extrémité en plastique au centre du verre. Placer l'autre extrémité de l'attache sur le côté opposé du panneau de verre et dans l'extrémité filetée de l'attache en veillant à ce que les rondelles transparentes touchent les deux côtés du verre. Tourner ensuite l'attache du panneau fixe dans l'un des trous filetés sur le rail horizontal [1]. Recommencer pour la deuxième attache et serrer jusqu'à ce que les deux attaches soient bien fixées sur le panneau de verre et le rail horizontal.
- 1e. Serrer l'attache du panneau fixe à l'aide d'une clé hexagonale comme poignée.
- 1f & 1g. Faire coulisser le deuxième connecteur mural [11b] sur le montant du connecteur de base [12] et serrer les vis hexagonales pour le faire tenir fermement.





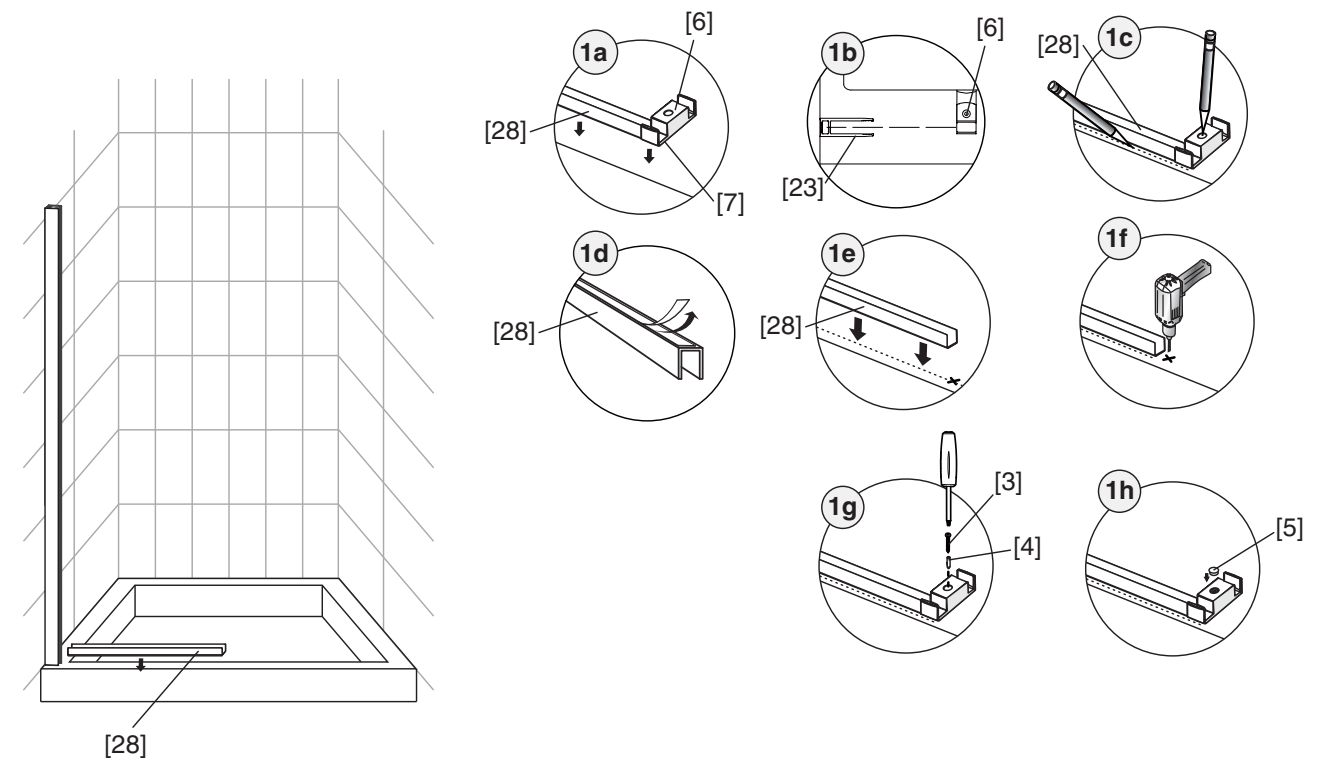
## 5 ASSEMBLING ROLLERS AND SLIDING PANEL DOOR

- 1a. Install Door Handle [2] onto sliding Door Panel [32] keeping clear plastic washers between the glass panel and handle.
- 1b. Tighten allen screws to secure Door Handle in place.
- 1c. Remove 10mm metal nut and 18mm plastic retainer from Roller [8] and carefully place threaded end into hole of outside facing sliding Door Panel [32] keeping clear plastic washer between roller and glass panel. From inside shower side of panel, place 18mm plastic retainer into threads of Roller and into hole of glass Panel, turn to tighten.
- 1d. Attach metal nut and tighten using 10mm socket and 18mm open end wrench for plastic retainer.
- 1e. Slide Bottom Door Gasket [18] onto bottom of sliding Door Panel [32] keeping the wider flap part to the inside of shower area.
- 1f. It may be necessary to cut or trim the Door Gasket material about 3/8" (10mm) off the edge of the sliding Door Panel.



## 2 INSTALLER LE PROFILÉ EN U AU SOL ET LE GUIDAGE INFÉRIEUR

- 1a. Placer le profilé en U [28] et le guidage inférieur [6] sur le côté du montant mural fixe [21] du seuil du bac de douche.  
**REMARQUE : Un côté du guidage inférieur est prévu pour tenir le panneau fixe [31] (avec la cale coulissante [7]), tandis que l'autre côté est prévu pour tenir le panneau de porte [32] (sans cale de caoutchouc [7]).**
- 1b. Aligner le profilé en U [28] et le guidage inférieur [6] avec le centre du montant mural fixe [21] en maintenant la même distance du côté du seuil de douche.
- 1c. Tracer une ligne sur l'extérieur du profilé en U en indiquant le trou de montage du guidage inférieur sur le seuil de la douche.
- 1d. Retirer le papier de protection du ruban adhésif sur le bas du profilé en U [28].
- 1e. Placer le profilé en U sur le seuil au niveau de la ligne tracée et appuyer pour le fixer fermement.
- 1f. Percer un trou de guidage pour le guidage inférieur à l'aide d'une mèche de 1/4 po (6 mm).
- 1g. Insérer la fixation murale [4] dans le trou de guidage et serrer le guidage inférieur [6] à l'aide d'une vis à tête cylindrique bombée M4x35 [3].
- 1h. Couvrir le trou de la vis sur le guidage inférieur à l'aide d'un capuchon de vis [5].





## REMARQUES D'INSTALLATION :

L'installation de la porte se fait plus facilement à deux.

Couvrir le renvoi avec du ruban avant l'installation pour éviter de perdre les petites pièces.

Déballer soigneusement votre porte de douche et vérifier qu'elle n'a subi aucun dommage durant le transport. Disposer les différentes pièces et les identifier à l'aide du dessin Contenu de la boîte et assemblage comme référence. Avant de jeter la boîte en carton, vérifier qu'aucune petite pièce n'est tombée au fond de la boîte. Si une ou plusieurs pièces sont endommagées ou manquantes, consulter la description indiquée dans les instructions concernant les demandes de remplacement.

Manipuler les panneaux de verre avec précaution et protéger les bords. Bien que le verre trempé soit extrêmement résistant au bris, il est possible que le verre se brise si une pression inégale est appliquée lors de l'installation. Les coins coupants du panneau peuvent également endommager le carrelage ou la surface du sol.

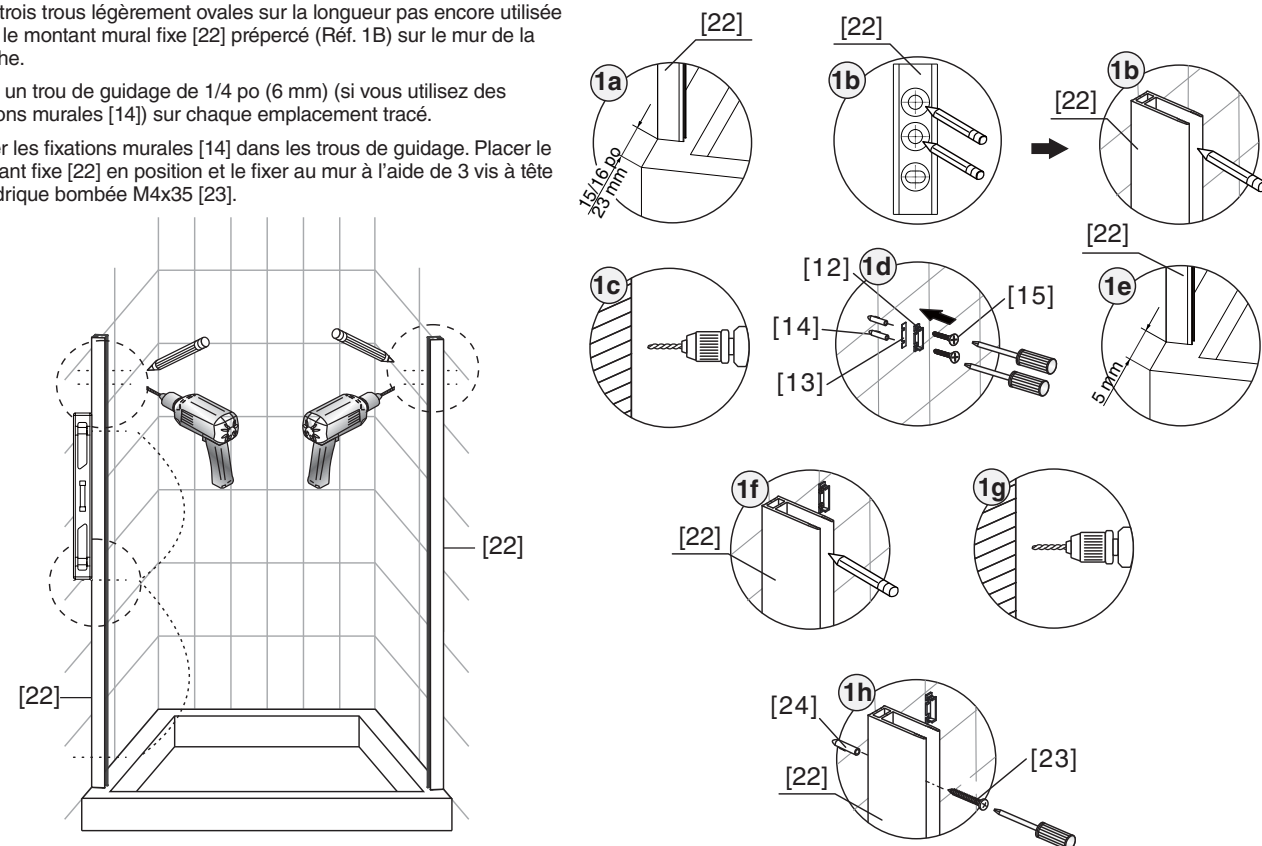
Porter des lunettes de sécurité chaque fois que vous effectuez une opération de perçage ou de coupage. Utiliser un pointeau et un marteau pour casser délicatement la surface vernie lorsque vous percez des trous dans des carreaux de céramique ou dans du marbre. Ceci permet d'éviter tout dérapage lors du perçage.

### REMARQUE : LE VERRE TREMPÉ NE PEUT PAS ÊTRE PERCÉ, DÉCOUPÉ OU MODIFIÉ.

## 1 FIXER LES MONTANTS DES CONNECTEURS DE BASE ET LE MONTANT MURAL FIXE

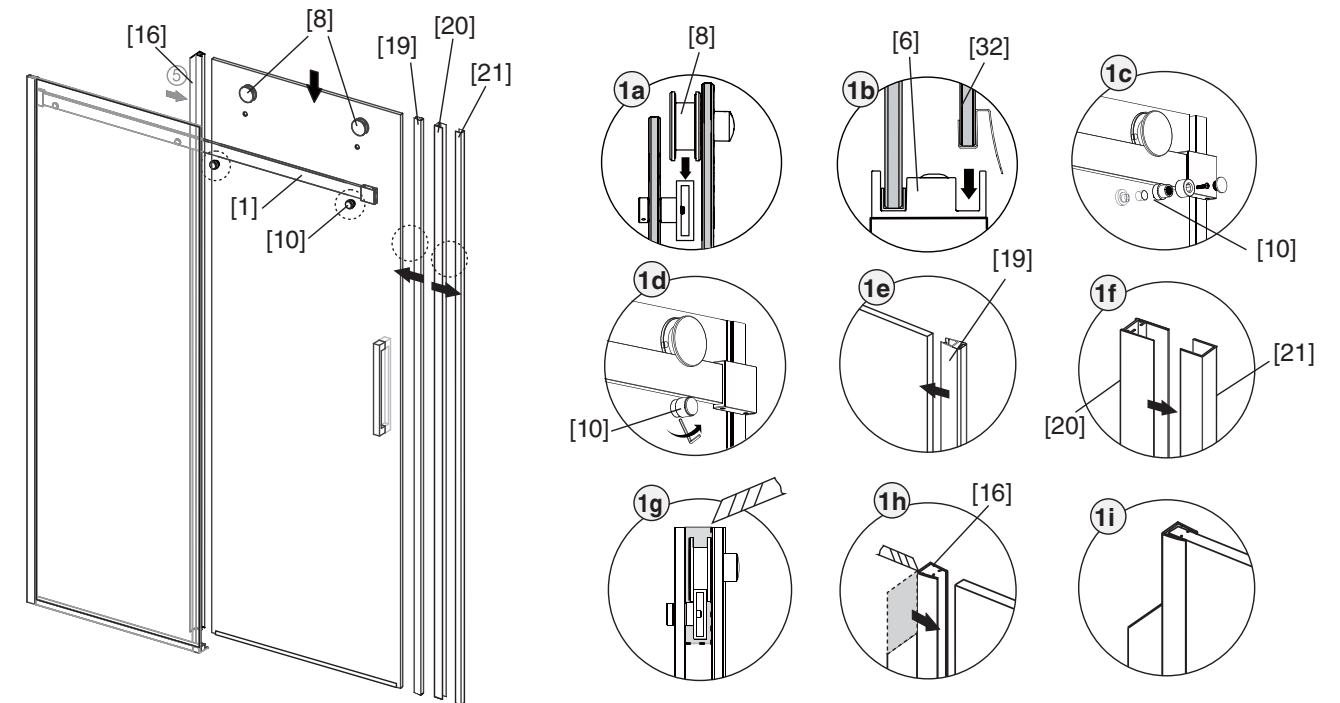
**REMARQUE :** Les installations ci-dessous montrent la porte assemblée avec la porte sur le côté droit de la douche. Si la porte doit être assemblée de manière à ce que la poignée soit du côté gauche, les panneaux de porte et les procédures doivent être inversés à ces emplacements.

- 1a. Déterminer l'emplacement approximatif du montant mural fixe [22] à partir du seuil du bac de douche à environ 15/16 po (23 mm) et d'aplomb.
- 1b. Tracer les emplacements des deux trous supérieurs du montant mural fixe [22] sur le mur de la douche.  
**REMARQUE :** Les deux trous supérieurs du montant mural fixe [22] servent à indiquer l'emplacement des trous de perçage comme modèle pour les montants des connecteurs de base [12] sur les côtés gauche et droit de la douche, et non pour les vis de montage.
- 1c. Percer un trou de guidage de 1/4 po (6 mm) (si vous utilisez des fixations murales [14]) à chacun des deux emplacements tracés.
- 1d. Insérer les fixations murales [14] dans les trous de guidage du mur. Retirer les montants des connecteurs de base [12 a et b] des connecteurs muraux [11], placer un coussinet en plastique transparent [13] entre le montant de base et le mur de douche en maintenant le côté fini, en chrome plaqué de la base vers l'intérieur de la douche et viser à l'aide des deux vis plates M5 X 35 [15]. Reproduire la procédure (1a-1d) pour monter le montant du connecteur de base du côté opposé de la douche, en maintenant le côté fini en chrome plaqué de la base vers l'extérieur de la douche.
- 1e. Une fois que les deux montants des connecteurs de la base [12 a et b] sont fixés au mur, placer le montant mural fixe [22] sur le côté de la douche qui soutiendra le panneau de verre fixe [31] et faire une marque à environ 3/16 po (5 mm) du bord du seuil du bac de douche et d'aplomb.
- 1f. Tracer trois trous légèrement ovales sur la longueur pas encore utilisée dans le montant mural fixe [22] prépercé (Réf. 1B) sur le mur de la douche.
- 1g. Percer un trou de guidage de 1/4 po (6 mm) (si vous utilisez des fixations murales [14]) sur chaque emplacement tracé.
- 1h. Insérer les fixations murales [14] dans les trous de guidage. Placer le montant fixe [22] en position et le fixer au mur à l'aide de 3 vis à tête cylindrique bombée M4x35 [23].



## 6 ATTACHING SLIDING DOOR PANEL TO HORIZONTAL RAIL

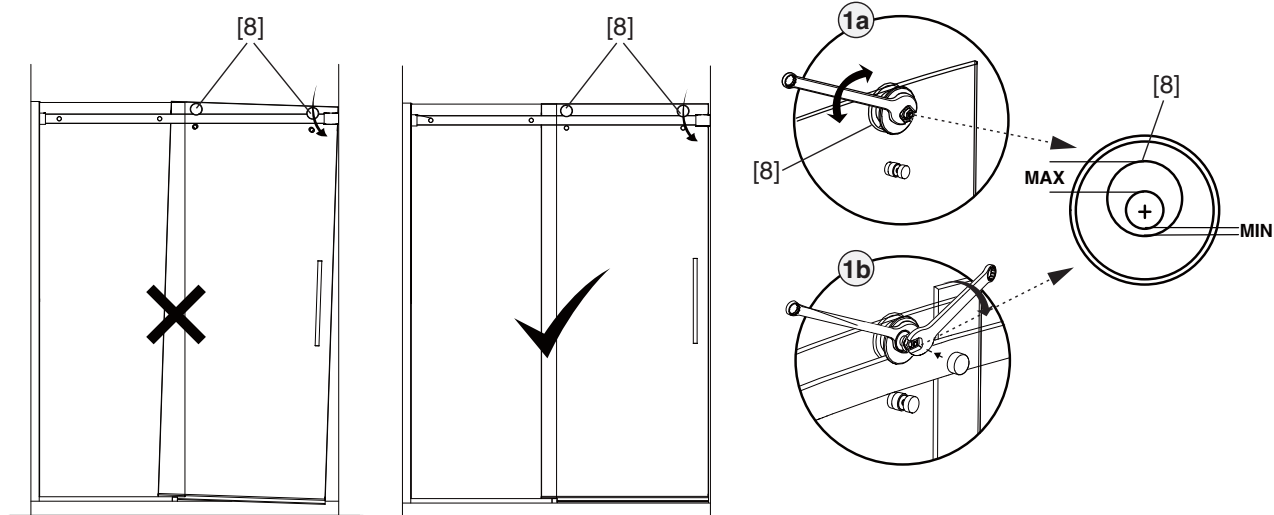
- 1a. Carefully place Sliding Door Panel [32] onto Horizontal Rail [1] from inside of shower area and onto the Rollers [8].  
**NOTE:** 2 people are required.
- 1b. Ensure bottom of Sliding Door Panel [32] fits into the open groove of Bottom Guide [6] and set into place.
- 1c. Remove threaded cover cap off Door Panel Guard [10] (clear plastic bushing end) and remove retaining screw inside with Philips head screw driver and separate the 2 parts.  
**NOTE:** Do not lose plastic spacer between these 2 parts! With supplied 2 clear plastic washers, place one washer over one end of Panel Guard and one washer over the other end and place through hole of Sliding Door Panel [32] with thicker end pointing outside shower area. Place Philips head screw back into place and tighten.  
**NOTE:** If screw does not go back into threads, the 2 pieces are keyed and may be necessary to turn the parts 180 degrees. Door Panel Guards can be adjusted so they are as close to the Horizontal Rail [1] as possible to prevent door from jumping off of Horizontal Rail.
- 1d. It may be necessary to place hex allen key into one of the holes of Guard to act as a handle or lever while tightening the screw in place. Place threaded cover cap back onto Door Panel Guard. Repeat for other Guard.
- 1e. Attach Magnetic Seal [19] onto Door Handle side of Panel and snap into place.
- 1f. Attach Post [20] over Sliding Wall Post [21] and snap into place.
- 1g. Attach Side Gasket [16] to opposite side of Sliding Door Panel [32] keeping wider side toward outside of shower area.
- 1h & 1i. It may be necessary to trim a portion of Side Gasket [16] near the top to accommodate spacing for the Horizontal Rail [1].



## 7

### ADJUSTING SLIDING DOOR PANEL

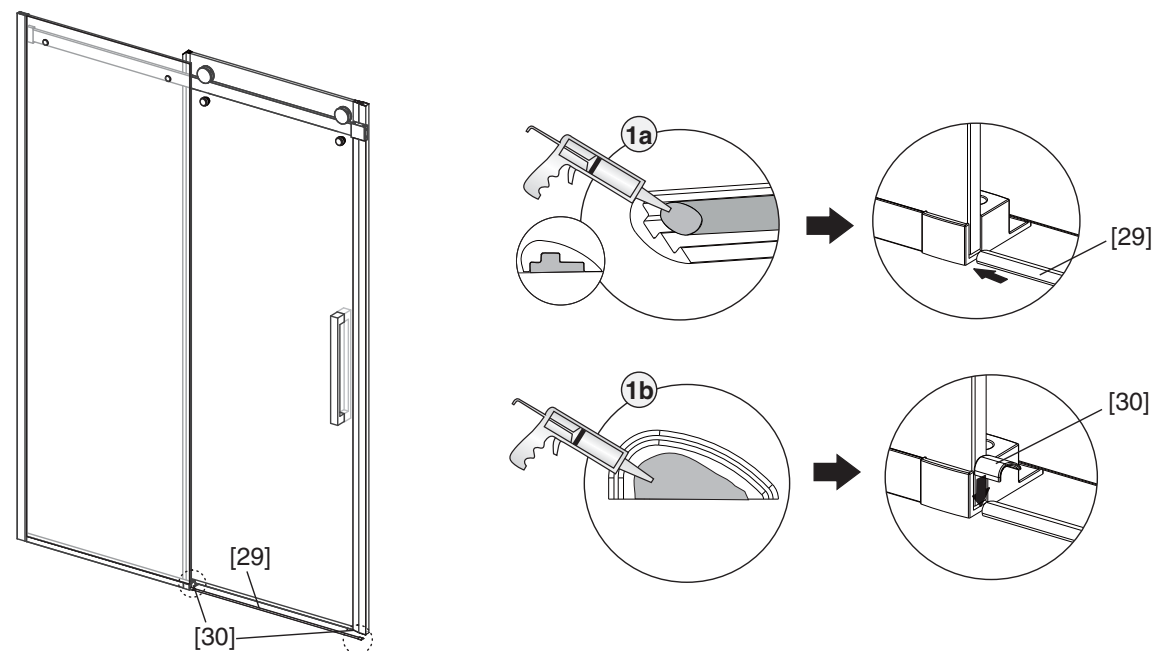
- 1a. Once all assembly is completed, it may be necessary to adjust the Sliding Door Panel [32] for proper operation. This can be achieved by adjusting Rollers [8] attached to the Sliding Door Panel by loosening the metal nut on Roller.
- 1b. Use a 10mm socket to slightly loosen the metal nut on the Roller and an 18mm open end wrench to turn the plastic Retainer which will provide an oblong effect when adjusting or turning causing the door to move up or down at that location. Adjustments can be done to both Rollers to obtain proper door sliding operation and fit.



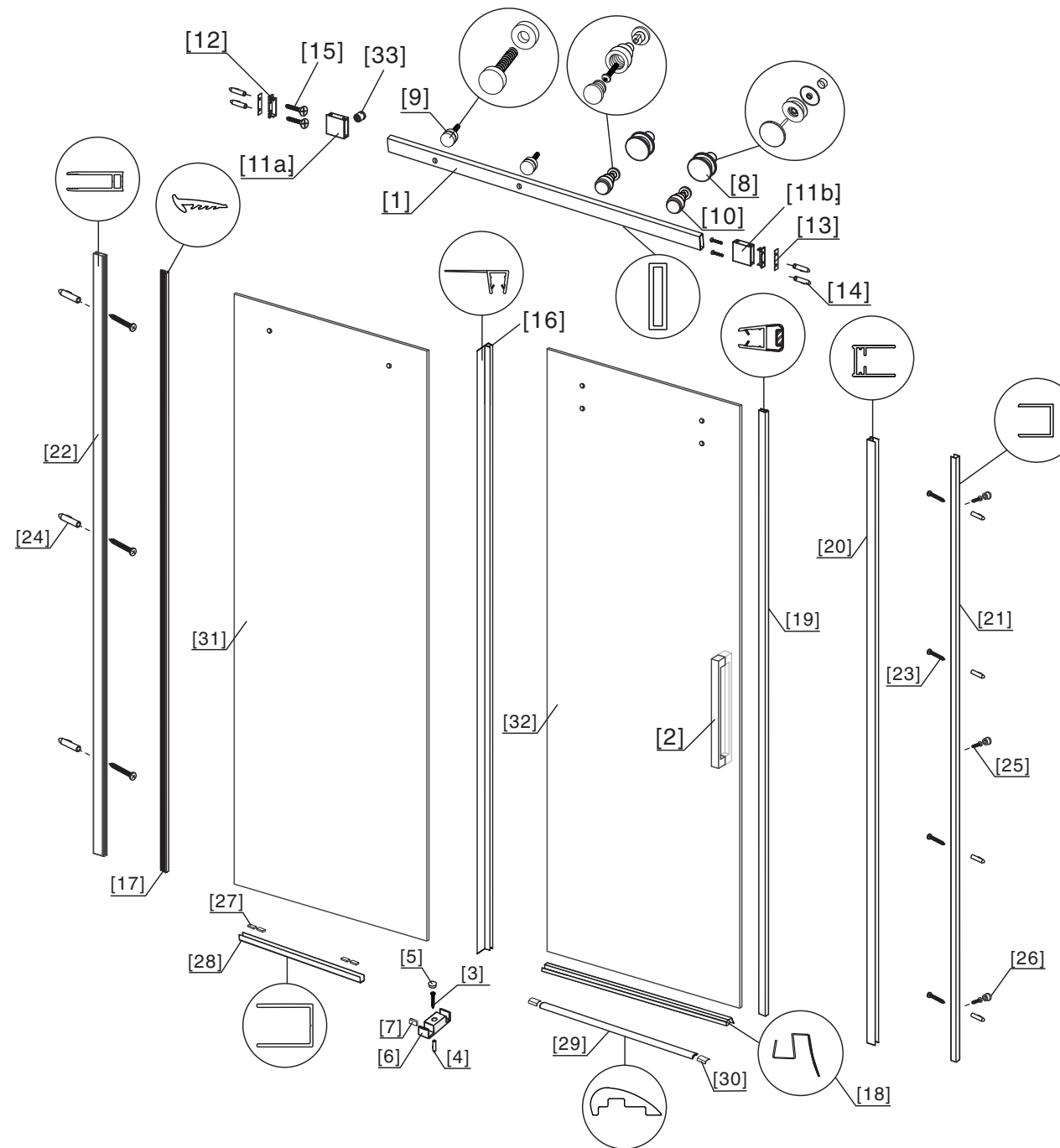
## 8

### INSTALLING THE ALUMINUM SEAL [29]

- 1a. Position the Aluminum Seal [29] at the entrance floor/Sliding Door Panel [32] side of the shower in line with the Fixed Panel [31]. Apply and fill a bead of adhesive in the groove or underside of the Aluminum Seal and place back at shower entrance keeping the sloping side of the Seal pointing inside the shower area.
- 1b. 2 Connector [30] ends are supplied to cover any gaps at the 2 ends of the Aluminum Seal which can be placed on the left and right side to finish. Secure the Connectors at the Seal ends using adhesive.



## IMAGE D'ASSEMBLAGE

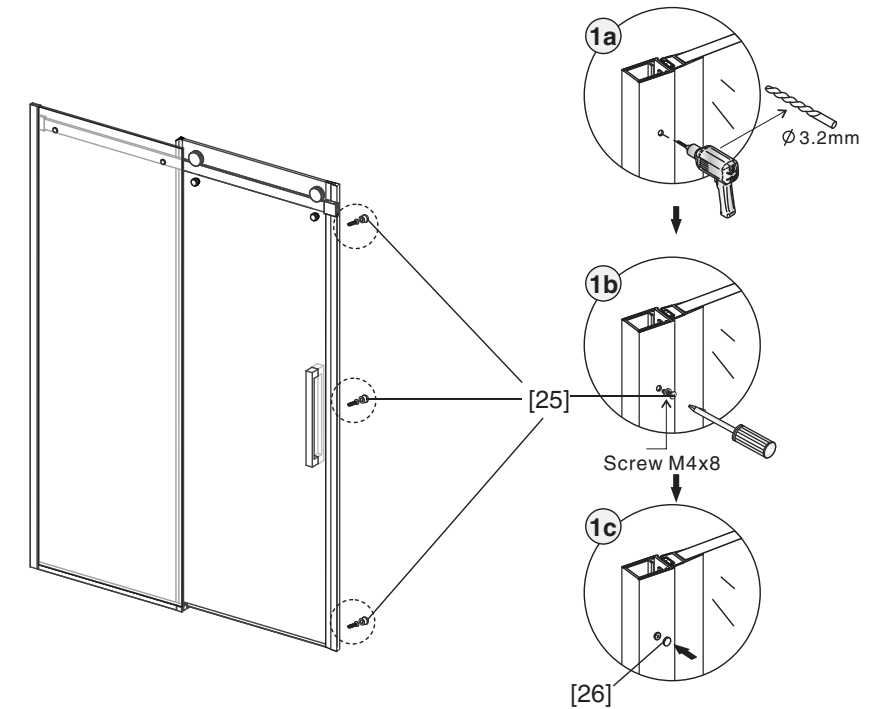


- |                                      |  |                                      |
|--------------------------------------|--|--------------------------------------|
| [1] 1 x rail horizontal              | [12] 2 x montants de connecteurs de base | [23] 7 x vis M4x35                   |
| [2] 1 x poignée de porte             | [13] 2 x coussinets                      | [24] 7 x fixations murales           |
| [3] 1 x vis M4x35                    | [14] 2 x fixations murales               | [25] 3 x vis M4x10                   |
| [4] 1 x fixation murale              | [15] 4 x vis M5x35                       | [26] 3 x capuchons de vis            |
| [5] 1 x capuchon de vis              | [16] 1 x joint latéral                   | [27] 4 x cales de profilé            |
| [6] 1 x guidage inférieur            | [17] 1 x déflecteur d'eau                | [28] 1 x profilé en U                |
| [7] 1 x cale                         | [18] 1 x joint de porte inférieur        | [29] 1 x joint d'aluminium           |
| [8] 2 x cylindres                    | [19] 1 x joint magnétique                | [30] 2 x connecteurs                 |
| [9] 2 x attaches de panneau fixe     | [20] 1 x montant                         | [31] 1x panneau fixe                 |
| [10] 2 x protections de panneau fixe | [21] 1x montant mural coulissant         | [32] 1 x panneau de porte coulissant |
| [11] 2 x connecteurs muraux          | [22] 1x montant mural fixe               | [33] 1 x bloc de limitation          |

CONTENU DE LA BOÎTE	
[1] 1 x rail horizontal	
1 manuel d'installation	
[2] 1 x poignée de porte	
[3] 1 x vis à tête cylindrique bombée M4x35 [4] 1 x fixation murale [5] 1 x capuchon de vis [6] 1 x guidage inférieur [7] 1 x cale	
[8] 2 x cylindres	
[9] 2 x attaches de panneau fixe [10] 2 x protections de panneau fixe	
[11] 2 x connecteurs muraux [12] 2 x montants de connecteurs de base [13] 2 x coussinets [14] 2 x fixations murales [15] 4 x vis plates M5X35 [33] 1 x blocs de limitation	
[16] 1 x joint latéral [17] 1 x déflecteur d'eau [18] 1 x joint de porte inférieur [19] 1 x joint magnétique	
[20] 1 x montant [21] 1 x montant mural coulissant [22] 1 x montant mural fixe	
[23] 7 x vis M4x35 [24] 7 x fixations murales	
[25] 3 x vis M4x10 [26] 3 x capuchons de vis	
[27] 4 x cales de profilé [28] 1 x profilé en U	
[29] 1 x joint d'aluminium [30] 2 x connecteurs	
[31] 1 x panneau fixe	
[32] 1 x panneau de porte coulissant	

## 9 ATTACHING HARDWARE TO POST

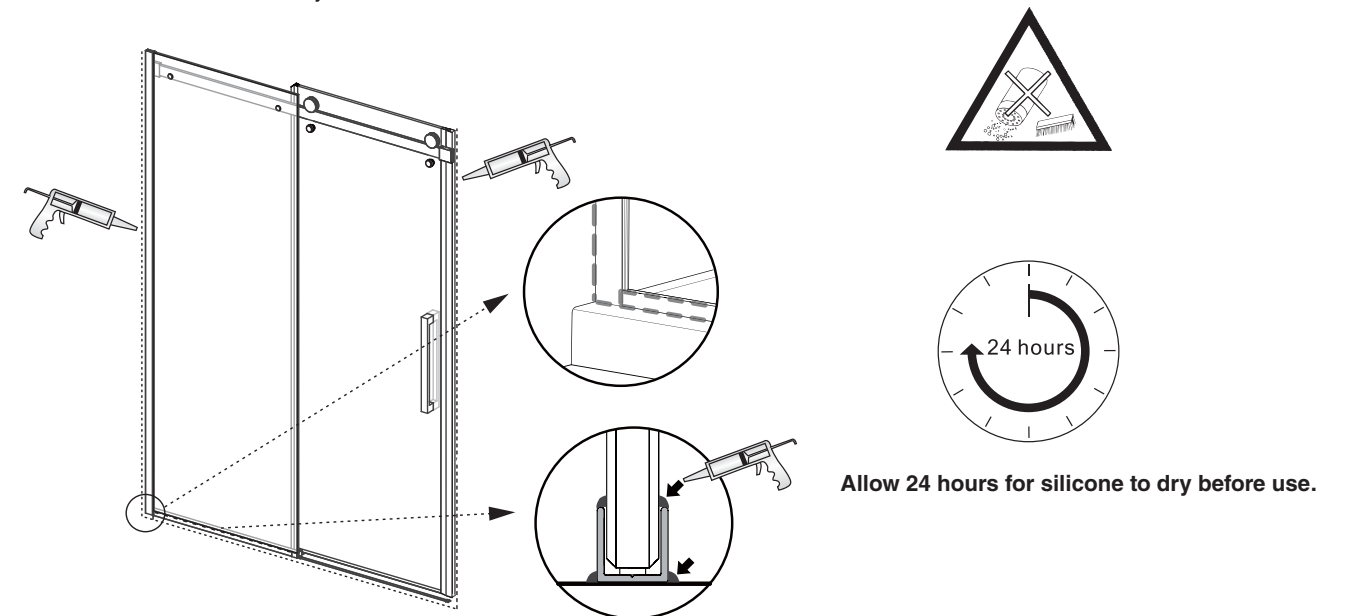
- 3 hole locations are predrilled into the Post [20] and can be used to mark drill locations in the Sliding Wall Post [21] from the inside of shower. Remove Post and drill marked locations using a 1/8" (3.2mm) drill bit.
- Place Post [20] back onto Sliding Wall Post [21] and use 3 supplied M4x8 screws placing white plastic cups through each screw which are used to hold Screw Cover Caps [26], then screw and secure Post into place onto the Sliding Wall Post.
- Cover each screw head with a Screw Cover Cap [26] to finish.



## 10 APPLYING SILICONE

Apply silicone at all inside and outside locations as shown.

Allow 24 hours for silicone to dry before use.



## MAINTENANCE:

Two primary materials are used to manufacture your new American Standard shower enclosure: tempered glass and anodized aluminum. To assure a long lasting finish on the enclosure, wipe it down with a towel after each use.

For occasional, more concentrated cleaning efforts **Lysol Non-Abrasive Bathroom Cleaner** works extremely well. Be sure that any over spray falling on the aluminum frame is rinsed thoroughly and dried. Many over-the-counter cleaners, if applied to the aluminum and left on, will harm the metal finish and cause permanent damage even though their directions indicate safe use on shower doors. Never use a scouring agent to clean the aluminum.

### AS AMERICA, INC. LIMITED LIFETIME WARRANTY FOR SHOWER DOORS

AS America, Inc. ("American Standard") warrants to the original consumer purchaser that it will, at its sole option, repair or replace this product or any part of this product, if it confirms that the product is defective in materials or workmanship under normal use and maintenance for the lifetime of this product.

This warranty does not apply to commercial installations. Commercial installations shall have a limited warranty of 3 year(s).

This limited warranty DOES NOT COVER the following:

1. Defects or damage arising from shipping, installation, alterations, accidents, abuse, misuse, lack of proper maintenance and use of other than genuine American Standard replacement parts, in all cases whether caused by a plumbing contractor, service company, the owner or any other person.
2. Deterioration through normal wear and tear.
3. HARD WATER DAMAGE, OR DAMAGES RESULTING FROM ABUSE OR MISUSE OR FROM FAILURE TO INSTALL OR MAINTAIN THIS PLUMBING PRODUCT IN ACCORDANCE WITH THE WRITTEN INSTRUCTIONS FURNISHED BY AS AMERICA, INC.
4. USE OF CLEANING PRODUCTS CONTAINING CALCIUM HYPO CHLORITE (CHLORINE), SCOURING POWDERS OR PADS SHALL NOT BE COVERED.
5. THE USE OF SCENTED CANDLES IN CLOSE PROXIMITY WITH THIS PRODUCT CAN RESULT IN PERMANENT STAINING OF THE FINISH.
6. Expense of normal maintenance.
7. All costs of removal, transportation, labor, reinstallation or other costs including postage and/or shipping costs to obtain warranty service shall be paid by the consumer.
8. ANY LIABILITY FOR CONSEQUENTIAL OR INCIDENTAL DAMAGES, ALL OF WHICH ARE HEREBY EXPRESSLY DISCLAIMED. ANY IMPLIED WARRANTIES, INCLUDING THOSE OF MERCHANTABILITY OR FITNESS FOR PURPOSE INTENDED ARE SPECIFICALLY EXCLUDED. (Some jurisdictions do not allow limitations on how long an implied warranty lasts, or the exclusion or limitation of incidental or consequential damages, so these limitations and exclusions may not apply to you.)
9. Responsibility for compliance with local code requirements ARE EXCLUDED FROM THIS WARRANTY. (Since local code requirements vary greatly distributors, dealers, installation contractors and users of plumbing products should determine whether there are any code restrictions on the installation or use of a specific product.)

This limited warranty gives you specific legal rights. You may have other statutory rights that vary from state to state or from province to province, in which case this limited warranty does not affect such statutory rights.

For service under this warranty, it is suggested that a claim be made through the contractor or dealer from or through whom the product was purchased, or that a service request (including a description of the product model and of the defect) be sent to the following with proof of purchase or original receipt:

**In the United States:**  
American Standard Brands  
1 Centennial Ave  
Piscataway, New Jersey 08854  
Attention: Director of Consumer Affairs

For residents of the United States, warranty information may also be obtained by calling the following toll free number: (800) 442-1902  
[www.americanstandard.com](http://www.americanstandard.com)

**In Canada:**  
AS Canada ULC  
5900 Avebury Rd.  
Mississauga, Ontario  
Canada L5R 3M3

Toll Free: (800) 387-0369  
[www.americanstandard.ca](http://www.americanstandard.ca)

**In Mexico:**  
American Standard B&K Mexico  
S. de R.L. de C.V.  
Via Morelos #330  
Col. Santa Clara  
Ecatepec 55540 Edo. Mexico  
Toll Free: 01-800-839-1200  
[www.americanstandard.com.mx](http://www.americanstandard.com.mx)

# INSTRUCTIONS D'INSTALLATION PASSAGE<sup>MC</sup> PORTE DE DOUCHE SANS CADRE 60 x 72 MODÈLE : SÉRIE AM801703400

*American  
Standard*

*Merci d'avoir choisi American Standard, la référence en matière de qualité depuis plus de 100 ans. Afin de garantir une installation adéquate, veuillez lire ces instructions attentivement avant de commencer. (Certaines installations peuvent requérir l'aide d'un professionnel.) De plus, assurez-vous que votre installation est en conformité avec les codes locaux.*

Pour trouver des produits associés, visitez <http://www.americanstandard-us.com/passage-collection>

## INFORMATION GÉNÉRALE

Vérifier le produit immédiatement après sa réception pour contrôler la présence d'éventuels dommages de transport, de défauts de fabrication ou l'absence de pièces ou de paquets. Tout dommage signalé plus tard ne peut pas être accepté. Manipuler le produit avec précaution et éviter tout cognement ou choc sur les faces et les bords des panneaux de verre.

**IMPORTANT : LE VERRE TREMPÉ NE PEUT PAS ÊTRE PERCÉ, DÉCOUPÉ OU MODIFIÉ.**

## LIRE LES CONSIGNES ATTENTIVEMENT

Familiarisez-vous avec toutes les pièces comme indiqué sur l'image d'assemblage. L'image d'assemblage fournit également des informations utiles quant à l'emplacement des différentes pièces et la manière de les installer.

Il convient de faire particulièrement attention lors du perçage des murs afin d'éviter les tuyaux cachés ou les câbles électriques.

**Remarque : Ce produit est lourd et deux personnes sont nécessaires pour une partie de l'installation.**

**En cas de problème d'installation ou de qualité du produit, veuillez communiquer avec nous. N'hésitez pas à appeler American Standard au 800-442-1902 et suivez les indications pour le consommateur/les portes de douche.**

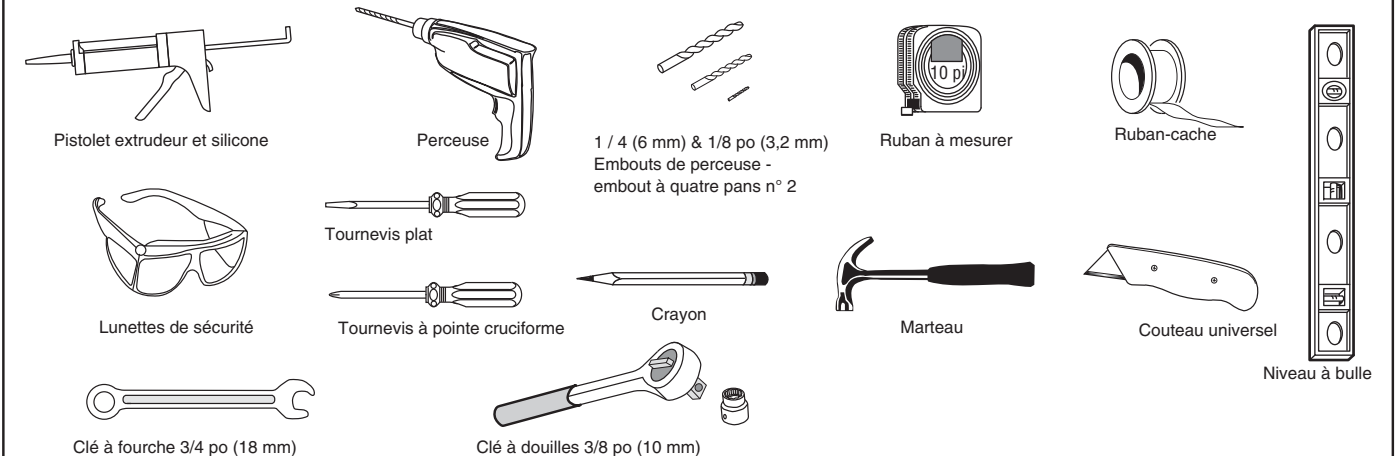
## INSTRUCTIONS D'ENTRETIEN APRÈS INSTALLATION

Nettoyez votre douche avec de l'eau et du savon après utilisation. Ceci est particulièrement important pour les districts où l'eau est calcaire et où des dépôts de sel de chaux insolubles peuvent se former et grossir. N'utilisez pas de nettoyant granuleux ou abrasif. Évitez tout contact avec des produits chimiques forts tels que les solvants biologiques et les décapants.

Les nettoyants pour vitre peuvent être utilisés avec précaution. En cas de doutes; contactez le fabricant du nettoyant en question.

Veuillez conserver ces consignes pour l'entretien ou pour tout renseignement auprès du service à la clientèle.

## OUTILS ET ÉQUIPEMENT NÉCESSAIRES



Les noms des produits énoncés dans le présent document sont des marques de commerce d'AS America, Inc.  
© AS America Inc. 2018

## MANTENIMIENTO:

Para fabricar su nuevo cerramiento de ducha American Standard se utilizan dos materiales principales: vidrio templado y aluminio anodizado. Para asegurarse un acabado de larga duración en el cerramiento, séquelo con una toalla después de cada uso.

Para una limpieza ocasional más concentrada, el limpiador para baños no abrasivo Lysol funciona extremadamente bien. Si rocía producto en el marco de aluminio, asegúrese de enjuagarlo a fondo y secarlo. Si se aplican limpiadores comunes sobre el aluminio y se los deja, dañarán el acabado del metal y causarán daños permanentes incluso aunque en sus instrucciones se indique es seguro su uso en las puertas para duchas. Nunca use un agente para restregar al limpiar el aluminio.

## GARANTÍA LIMITADA DE POR VIDA PARA LAS PUERTAS DE DUCHA DE AS AMERICA, INC.

AS America, Inc. ("American Standard") garantiza al comprador consumidor original que, a criterio exclusivo del primero, reparará o reemplazará este producto o cualquiera de sus partes, si confirma que el producto presenta defectos en los materiales o la mano de obra en condiciones de uso y mantenimiento normal durante la vida de este producto.

Esta garantía no se aplica a las instalaciones comerciales. Éstas tendrán una garantía limitada de 3 años.

Esta garantía limitada NO CUBRE lo siguiente:

1. Los defectos o daños que surjan del envío, la instalación, las modificaciones, los accidentes, el abuso, el uso incorrecto o la falta de mantenimiento y el uso de refacciones que no sean American Standard auténticas, en todos los casos ya sea causado por un plomero contratista, una empresa de servicios, el propietario o cualquier otra persona.
2. El deterioro producto del desgaste normal.
3. LOS DAÑOS CAUSADOS POR AGUA DURA O DAÑOS QUE RESULTEN DEL ABUSO O USO INCORRECTO O POR NO INSTALAR O MANTENER ESTE PRODUCTO SANITARIO DE CONFORMIDAD CON LAS INSTRUCCIONES ESCRITAS PROPORCIONADAS POR AS AMERICA, INC.
4. EL USO DE PRODUCTOS DE LIMPIEZA QUE CONTIENEN HIPOCLORITO DE CALCIO (CLORO), ALMOHADILLAS O POLVOS PARA RESTREGAR NO ESTARÁ CUBIERTO.
5. EL USO DE VELAS PERFUMADAS MUY CERCA DE ESTE PRODUCTO PUEDE CAUSAR MANCHAS PERMANENTES EN EL ACABADO.
6. El costo del mantenimiento normal.
7. Todos los costos de retiro, transporte, mano de obra, reinstalación u otros, incluidos los costos de correo y/o envío para obtener un servicio de garantía serán pagados por el consumidor.
8. TODA RESPONSABILIDAD POR DAÑOS Y PERJUICIOS EMERGENTES O INCIDENTALES QUEDA EXPRESAMENTE DESLINDADA POR EL PRESENTE. QUEDAN ESPECÍFICAMENTE EXCLUIDAS TODAS LAS GARANTÍAS IMPLÍCITAS, INCLUYENDO LAS GARANTÍAS DE COMERCIABILIDAD O APTITUD PARA UN FIN DETERMINADO. (Algunas jurisdicciones no permiten limitaciones a la duración de una garantía implícita, o la exclusión o limitación de daños y perjuicios incidentes o emergentes, por lo cual estas limitaciones y exclusiones podrán no aplicarse a su caso.)
9. SE EXCLUYE DE ESTA GARANTÍA la responsabilidad por el cumplimiento de los requisitos de los códigos locales. (Debido a que los requisitos de los códigos locales varían mucho, los distribuidores, concesionarios, contratistas de instalación y usuarios de productos de plomería deben determinar si existen restricciones de código sobre la instalación o el uso de un producto específico.)

Esta garantía limitada le otorga derechos legales específicos. Es posible que tenga otros derechos establecidos por ley que varían de un estado a otro o de una provincia a otra, en cuyo caso esta garantía limitada no afecta tales derechos establecidos por ley.

Para obtener servicio técnico bajo esta garantía, se sugiere presentar un reclamo ante el contratista o distribuidor u otro a través del cual haya adquirido el producto, o enviar una solicitud de servicio (incluyendo una descripción del modelo del producto y del defecto) junto con el comprobante de compra o recibo original a la siguiente dirección:

### En Estados Unidos:

American Standard Brands  
1 Centennial Ave  
Piscataway, New Jersey 08854  
Attention: Director of Consumer Affairs

### En Canadá:

AS Canada ULC  
5900 Avebury Rd.  
Mississauga, Ontario  
Canadá L5R 3M3

### En México:

American Standard B&K Mexico  
S. de R.L. de C.V.  
Vía Morelos #330  
Col. Santa Clara  
Ecatepec 55540 Estado de México  
Número gratuito: 01-800-839-1200  
www.americanstandard.com.mx

Los residentes de Estados Unidos también pueden obtener información sobre la garantía llamando al siguiente número gratuito: (800) 442-1902  
www.americanstandard.com

Número gratuito: (800) 387-0369  
www.americanstandard.ca

American  
Standard

# INSTRUCCIONES DE INSTALACIÓN

## PUERTA DE DUCHA SIN MARCO

### 60x72 PASSAGE™

#### MODELO: SERIE AM801703400

Gracias por elegir American Standard, el parámetro de excelente calidad por más de 100 años. Para asegurar que este producto se instale de manera adecuada, lea las instrucciones con atención antes de comenzar. (Para algunas instalaciones puede necesitarse ayuda profesional). Realice la instalación de conformidad con los códigos locales.

Visite <http://www.americanstandard-us.com/passage-collection> para ver los productos que hacen juego.

## INFORMACIÓN GENERAL

Al recibir el producto, inspecciónelo inmediatamente para ver si presenta daños de tránsito o fallas de fabricación o si faltan paquetes o piezas. No se aceptarán los daños reportados más tarde. Manipule el producto con cuidado evitando los golpes en todos los lados y bordes del vidrio.

## IMPORTANTE: EL VIDRIO TEMPLADO NO PUEDE TALADRARSE, CORTARSE NI MODIFICARSE.

### LEA LAS INSTRUCCIONES CON ATENCIÓN

Familiarícese con todas las piezas que figuran en el diagrama de ensamblaje. El diagrama de ensamblaje también será una referencia útil para la ubicación de las diferentes piezas y su montaje.

Tenga mucho cuidado al taladrar las paredes para no dañar los cables eléctricos o caños ocultos.

**Nota: Es un producto pesado. Una parte de la instalación debe hacerse de a dos.**

**Avísenos si tiene problemas con la calidad del producto o la instalación. Comuníquese con American Standard llamando al 800-442-1902 y siga las instrucciones para el consumidor y las puertas para duchas.**

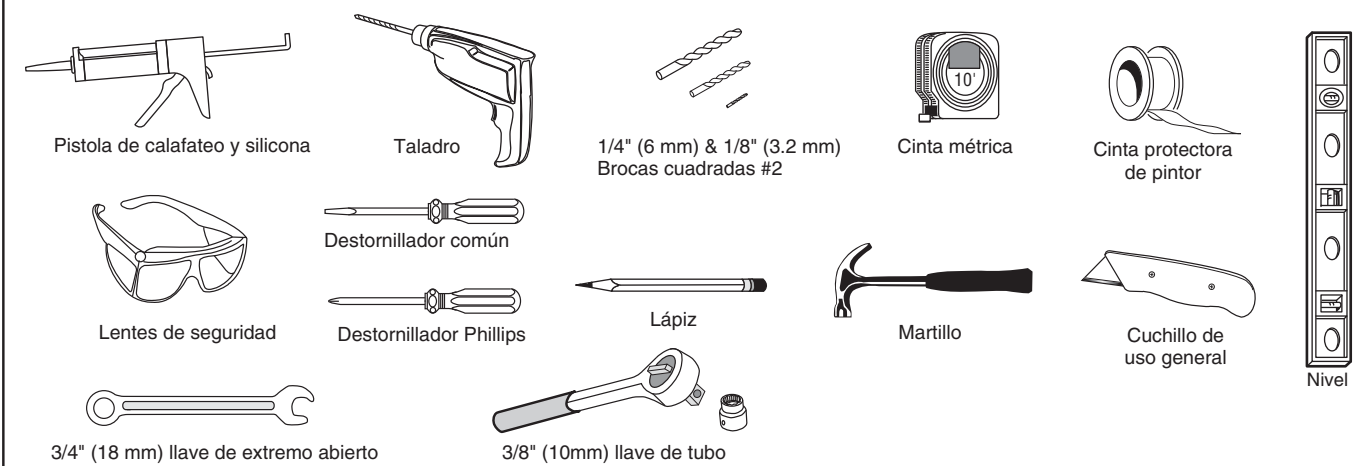
## INSTRUCCIONES DE CUIDADO POSTERIOR

Después de usar la ducha, límpiela con agua y jabón. Esto es de particular importancia en los distritos con agua dura donde las sales de lima insolubles pueden depositarse y acumularse. Los limpiadores arenosos o abrasivos no deben usarse. Tenga cuidado y evite el contacto con sustancias químicas, como los disolventes y solventes orgánicos.

Los limpiadores de vidrio pueden usarse pero con precaución. En caso de duda, comuníquese con el fabricante del limpiador.

Conserve estas instrucciones para los detalles de atención al cliente y seguimiento.

## HERRAMIENTAS Y MATERIALES NECESARIOS



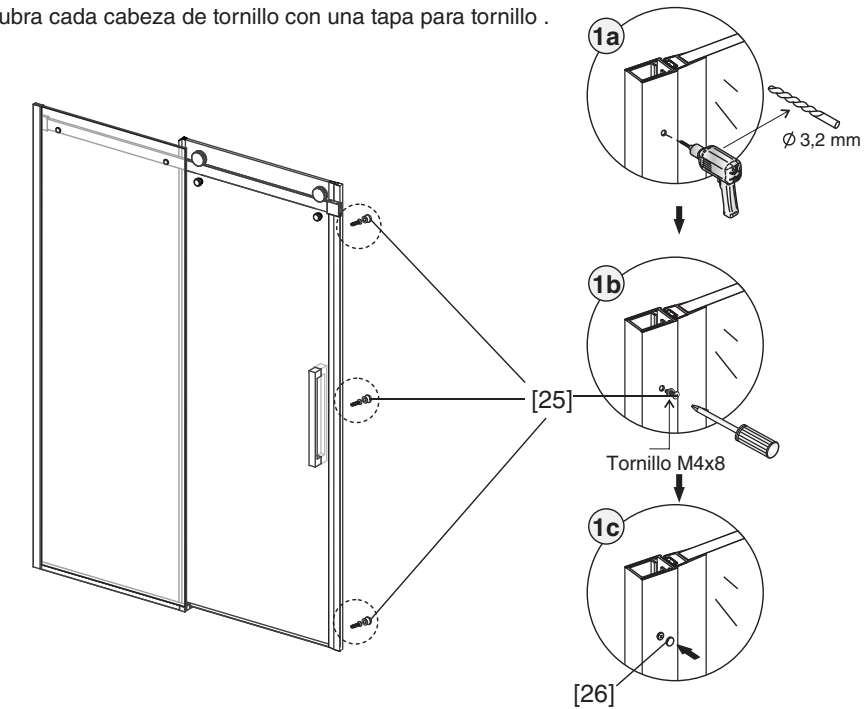
Los nombres de producto mencionados en este documento son marcas de comercio de AS America Inc.  
© AS America Inc. 2018

CONTENIDO DE LA CAJA	
[1] 1 riel horizontal	
1 Instrucciones de instalación	
[2] 1 manija para puerta	
[3] 1 tornillo de cabeza redonda M4x35	
[4] 1 anclaje de pared	
[5] 1 tapa para tornillo	
[6] 1 guía inferior	
[7] 1 calce	
[8] 2 arandelas	
[9] 2 sujetadores para panel fijo	
[10] 2 protectores de panel para puerta	
[11] 2 conectores de pared	
[12] 2 montantes de base de conector	
[13] 2 cojines	
[14] 4 anclajes de pared	
[15] 4 tornillos de cabeza plana M5x35	
[33] 1 bloques límites	
[16] 1 junta lateral	
[17] 1 deflector de agua	
[18] 1 junta para la parte inferior de la puerta	
[19] 1 empaque magnético	
[20] 1 poste	
[21] 1 poste de pared corrediza	
[22] 1 poste de pared fija	
7 tornillos M4x35	
[24] 7 anclajes de pared	
3 tornillos M4x10	
[26] 3 tapas para tornillo	
[27] 4 calce de canal	
[28] 1 canal en U	
[29] 1 empaque de aluminio	
[30] 2 conectores	
[31] 1 sujetador para panel fijo	
[32] 1 panel corredizo para puerta	

## 9

## FIJAR LA FERRETERÍA AL POSTE

- 1a. El poste tiene 3 orificios ya taladrados [20] que pueden usarse para taladrar lugares en el poste de pared corrediza [21] desde la parte interior de la ducha. Retire el poste y taladre los lugares marcados usando una broca de 1/8" (3.2 mm).
- 1b. Vuelva a colocar el poste [20] en el poste de pared corrediza [21]. Use 3 tornillos M4x8 suministrados colocando las tazas plásticas blancas a través de cada tornillo que se usan para sostener las tapas de los tornillos [26]. Luego atornille y fije el poste en el poste de pared corrediza.
- 1c. Para terminar, cubra cada cabeza de tornillo con una tapa para tornillo .

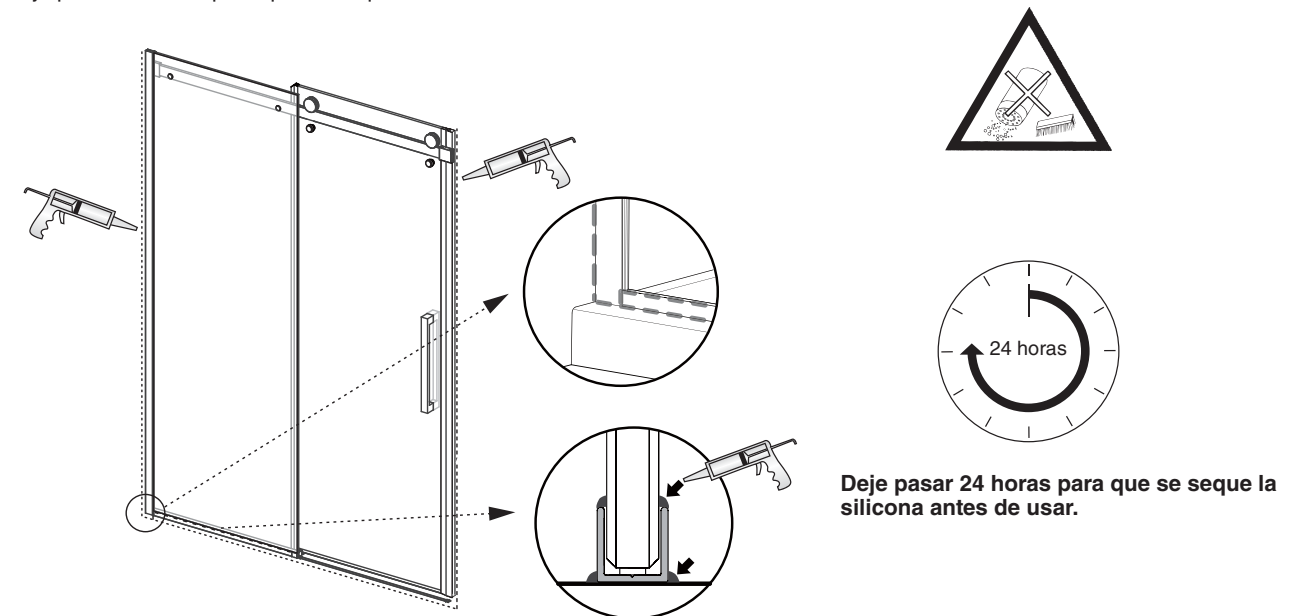


## 10

## APLICAR LA SILICONA

Aplique silicona en todas las ubicaciones interiores y exteriores indicadas.

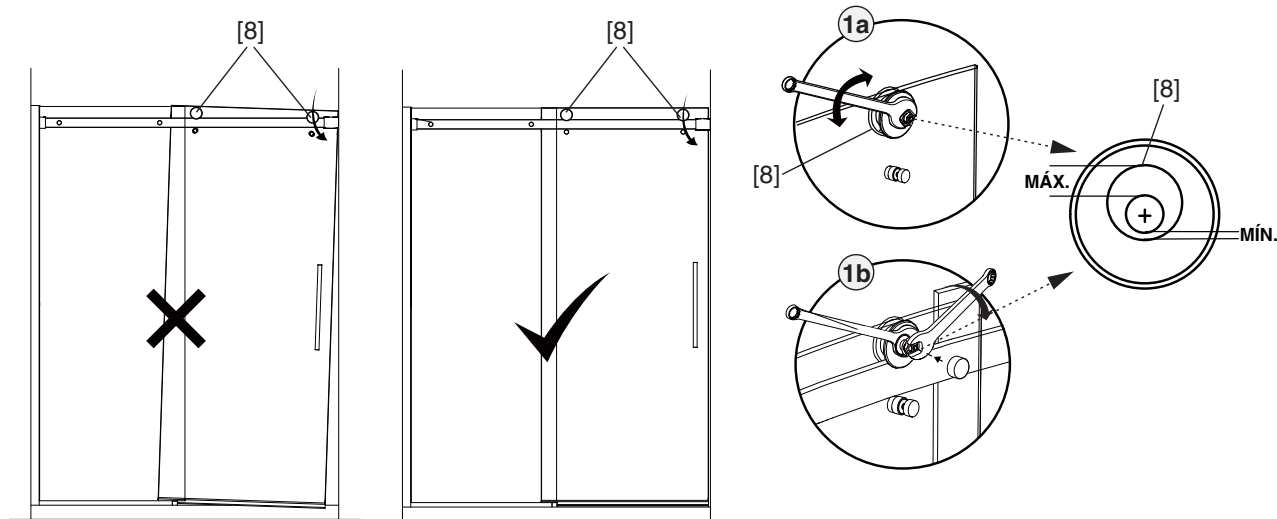
Deje pasar 24 horas para que se seque la silicona antes de usar.



## 7

### AJUSTAR EL PANEL CORREDIZO PARA PUERTA

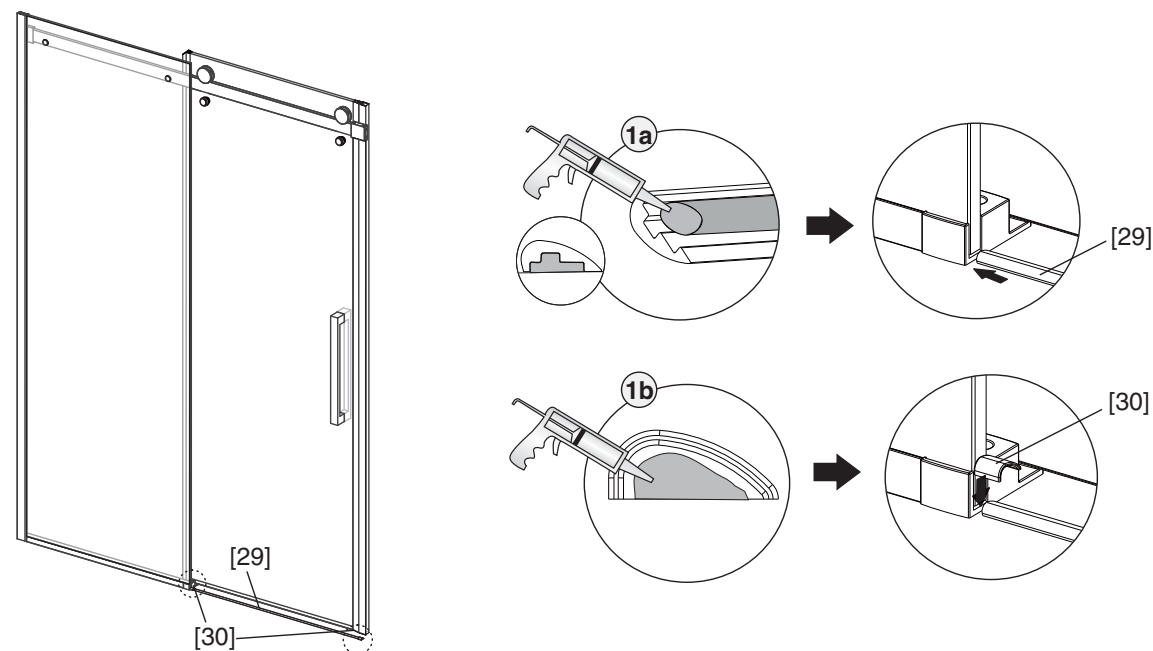
- 1a. Una vez terminado el ensamblaje, quizá deba ajustar el panel corredizo para puerta [32] para que funcione bien. Para ello, ajuste las arandelas [8] fijadas al panel corredizo para puerta aflojando la tuerca de metal en la arandela.
- 1b. Use un tubo de 10 mm para aflojar levemente la tuerca de metal en la arandela y una llave de extremo abierto de 18 mm para girar el retenedor de plástico que brindará un efecto apaisado al ajustar o girar. Así la puerta se moverá hacia arriba o abajo en ese lugar. Pueden ajustarse las dos arandelas para que la puerta se deslice y encaje bien.



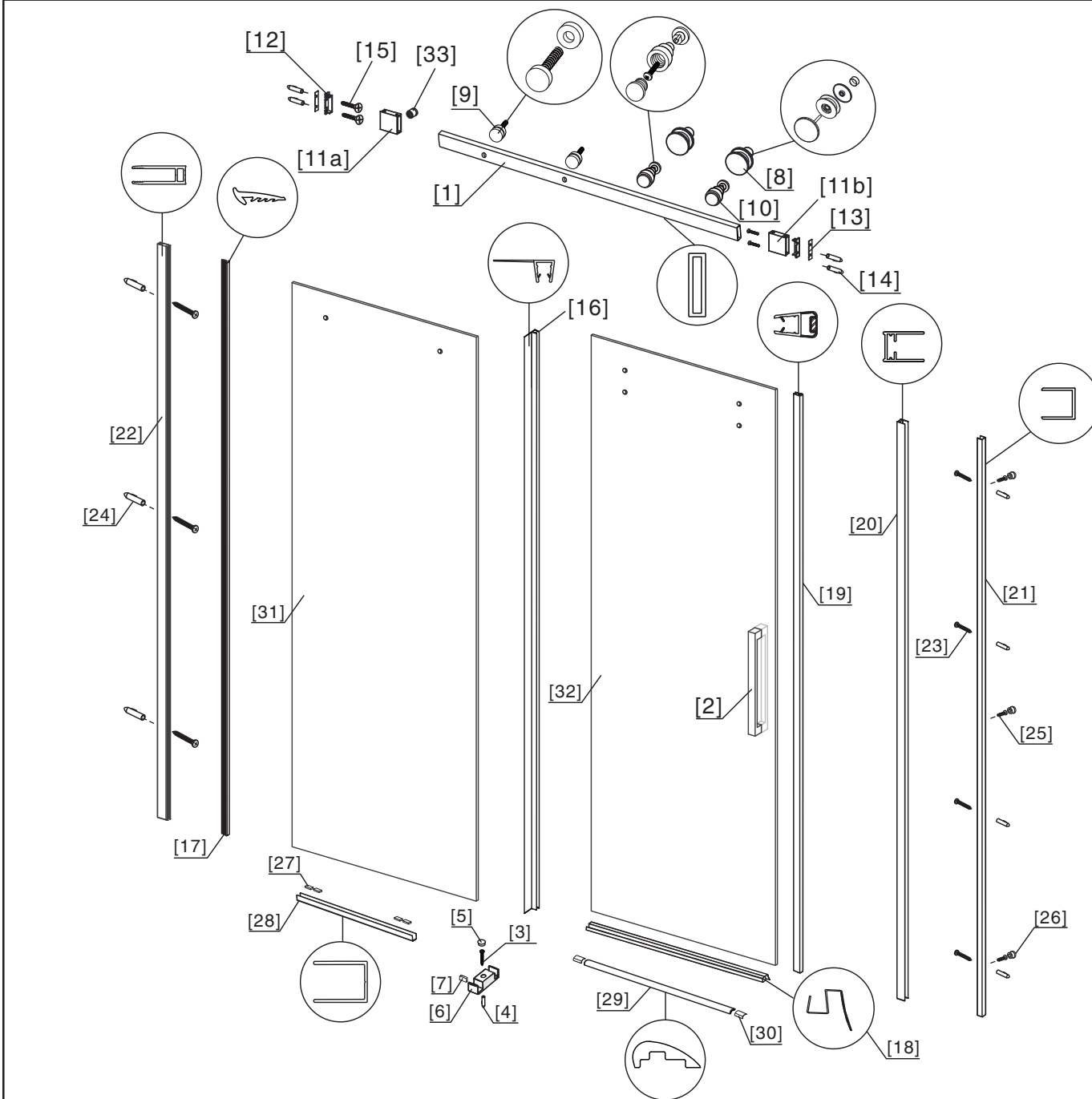
## 8

### INSTALAR EL EMPAQUE DE ALUMINIO [29]

- 1a. Posicione el empaque de aluminio [29] en el lado del piso de entrada/panel corredizo para puerta [32] de la ducha en línea con el panel fijo [31]. Aplique y llene una gota de adhesivo en la ranura o parte inferior del empaque de aluminio y vuelva a colocarlo en la entrada de la ducha. El lado inclinado del empaque debe apuntar hacia adentro de la zona de la ducha.
- 1b. Se suministran dos extremos de conectores [30] para cubrir cualquier brecha en los dos extremos del empaque de aluminio; pueden colocarse del lado izquierdo o derecho para terminar. Fije con adhesivo los conectores en los extremos del empaque.



### DIAGRAMA DE ENSAMBLAJE



- |   |  |                                    |
|---|--|------------------------------------|
| [1] 1 riel horizontal                   | [12] 2 montantes de base de conector             | [23] 7 tornillos M4x35             |
| [2] 1 manija para puerta                | [13] 2 cojines                                   | [24] 7 anclajes de pared           |
| [3] 1 tornillo M4x35                    | [14] 4 anclajes de pared                         | [25] 3 tornillos M4x10             |
| [4] 1 anclaje de pared                  | [15] 4 tornillos M5x35                           | [26] 3 tapas para tornillo         |
| [5] 1 tapa para tornillo                | [16] 1 junta lateral                             | [27] 4 calce de canal              |
| [6] 1 guía inferior                     | [17] 1 deflector de agua                         | [28] 1 canal en U                  |
| [7] 1 calce                             | [18] 1 junta para la parte inferior de la puerta | [29] 1 empaque de aluminio         |
| [8] 2 arandelas                         | [19] 1 empaque magnético                         | [30] 2 conectores                  |
| [9] 2 sujetadores para panel fijo       | [20] 1 poste                                     | [31] 1 sujetador para panel fijo   |
| [10] 2 protectores de panel para puerta | [21] 1 poste de pared corrediza                  | [32] 1 panel corredizo para puerta |
| [11] 2 conectores de pared              | [22] 1 poste de pared fija                       | [33] 1 bloque límite               |

## NOTAS SOBRE LA INSTALACIÓN:

Se recomienda instalar la unidad de a dos personas.

Cubra el desagüe con cinta antes de realizar la instalación para no perder las piezas pequeñas.

Desempaque su unidad con cuidado y fíjese que no haya sido dañada durante el envío. Saque e identifique todas las piezas usando como referencia el contenido de la caja y el diagrama de ensamblaje. Antes de desechar la caja, asegúrese de que no haya piezas pequeñas de ferretería en el fondo. Si hay piezas dañadas o faltantes, consulte la descripción indicada en las instrucciones cuando consulte sobre refacciones.

Manipule los paneles de vidrio con cuidado y proteja los bordes. Si bien el vidrio templado es muy resistente a las roturas, puede romperse si se aplica presión despareja durante la instalación, y las esquinas filosas del panel pueden dañar la superficie del azulejo y el piso.

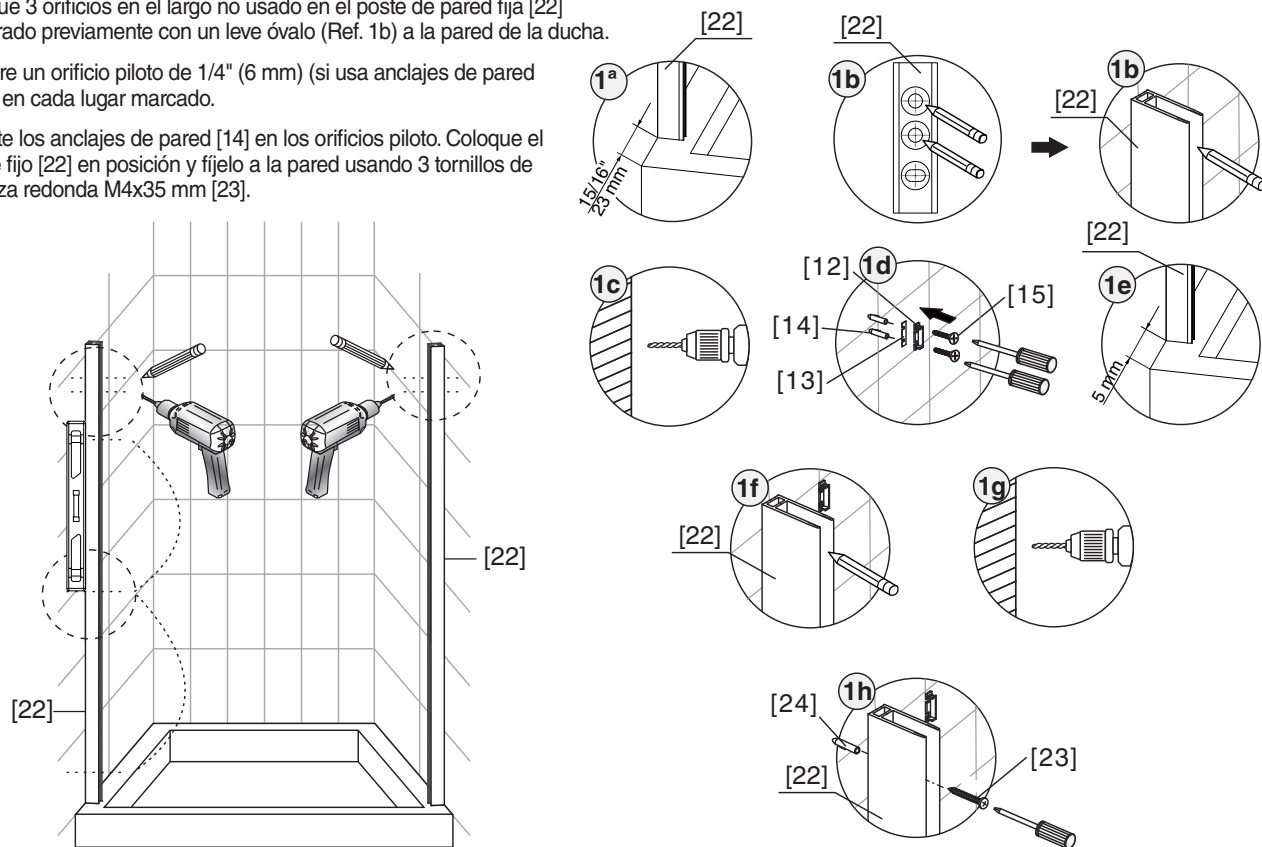
Asegúrese de usar lentes de seguridad siempre que taladre o corte. Cuando taladre hoyos en azulejos de cerámica o mármol, use un punzón y un martillo para romper con cuidado la superficie vidriada. Esto evitará que se deslice el taladro.

**NOTA: EL VIDRIO TEMPLADO NO PUEDE TALADRARSE, CORTARSE NI MODIFICARSE.**

## 1 FIJAR LOS MONTANTES DE LA BASE DEL CONECTOR Y EL POSTE DE PARED FIJA

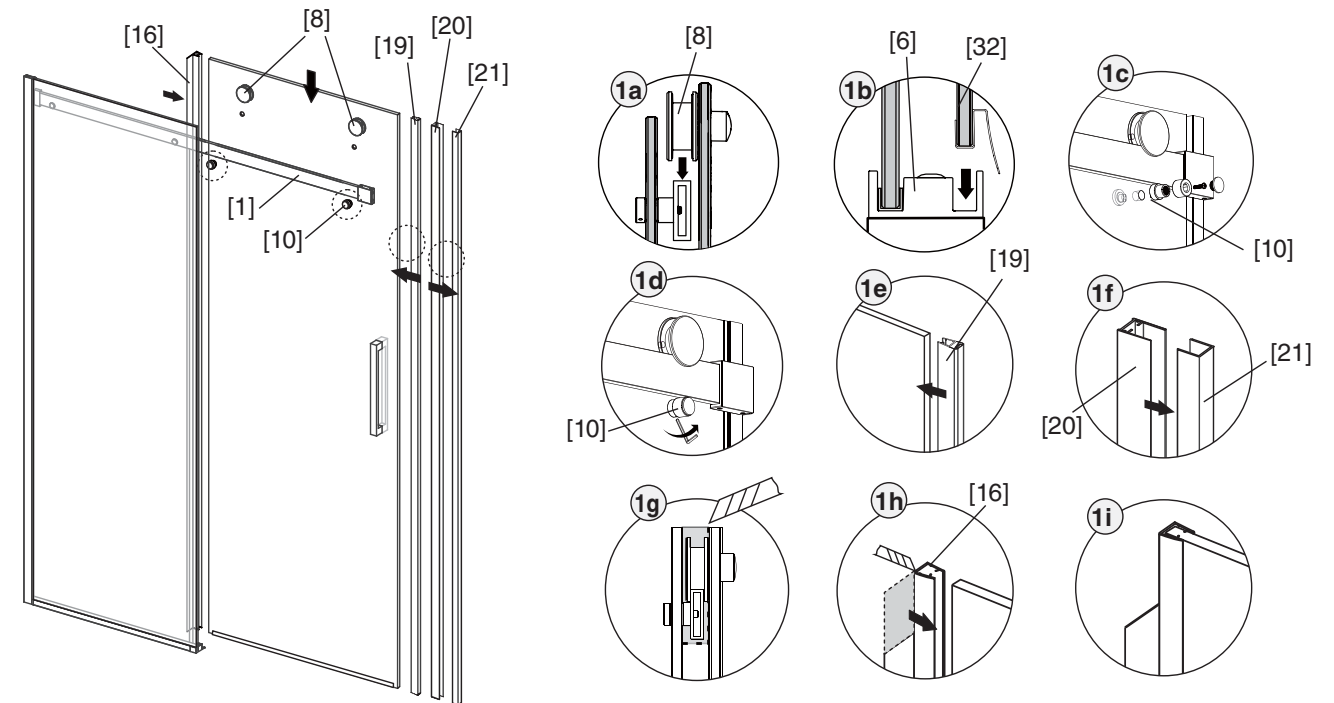
**NOTA: Las ilustraciones más abajo muestran la foto ensamblada con la manija del lado derecho de la ducha. Si desea ensamblar la puerta con la manija a la izquierda, los paneles de puerta y el procedimiento deben invertirse en esas áreas.**

- 1a. Determina la ubicación aproximada del poste de pared fija [22] desde el borde del umbral de la base de la ducha aproximadamente 15/16" (23 mm) y aplomado.
- 1b. Marque el lugar para dos orificios superiores en el poste de pared fija [22] en la pared de la ducha.  
**NOTA: Los dos orificios superiores en el poste de pared fija [22] se usan para marcar las ubicaciones para taladrar orificios como una plantilla para los montantes de base de conector [12] en el lado izquierdo y derecho de la ducha, no para los tornillos de montaje.**
- 1c. Taladre un orificio piloto de 1/4" (6 mm) (si usa anclajes de pared [14]) en cada una de las dos ubicaciones marcadas.
- 1d. Inserte los anclajes de pared [14] en los orificios piloto de la pared. Retire los montantes de base de conector [12 a y b] de los conectores de pared [11], coloque un cojín de plástico transparente [13] entre el montante de base y la pared de ducha. Mantenga el borde terminado con placa de cromo mirando hacia la parte interior de la ducha y atornillado usando dos tornillos de cabeza plana M5x35 [15]. Repita el procedimiento (1a-1d) para montar el montante de base de conector del lado contrario de la ducha. Mantenga el borde terminado con placa de cromo de la base mirando hacia la parte exterior de la ducha.
- 1e. Una vez que los montantes de base de conector [12 a y b] están fijados a la pared, coloque el poste de pared fija [22] del lado de la ducha que sostendrá el panel fijo de vidrio [31] y marque aproximadamente 3/16" (5 mm) desde el borde del umbral de la base de la ducha y aplomado.
- 1f. Marque 3 orificios en el largo no usado en el poste de pared fija [22] taladrado previamente con un leve óvalo (Ref. 1b) a la pared de la ducha.
- 1g. Taladre un orificio piloto de 1/4" (6 mm) (si usa anclajes de pared [14]) en cada lugar marcado.
- 1h. Inserte los anclajes de pared [14] en los orificios piloto. Coloque el poste fijo [22] en posición y fíjelo a la pared usando 3 tornillos de cabeza redonda M4x35 mm [23].



## 6 FIJAR EL PANEL CORREDIZO PARA PUERTA AL RIEL HORIZONTAL

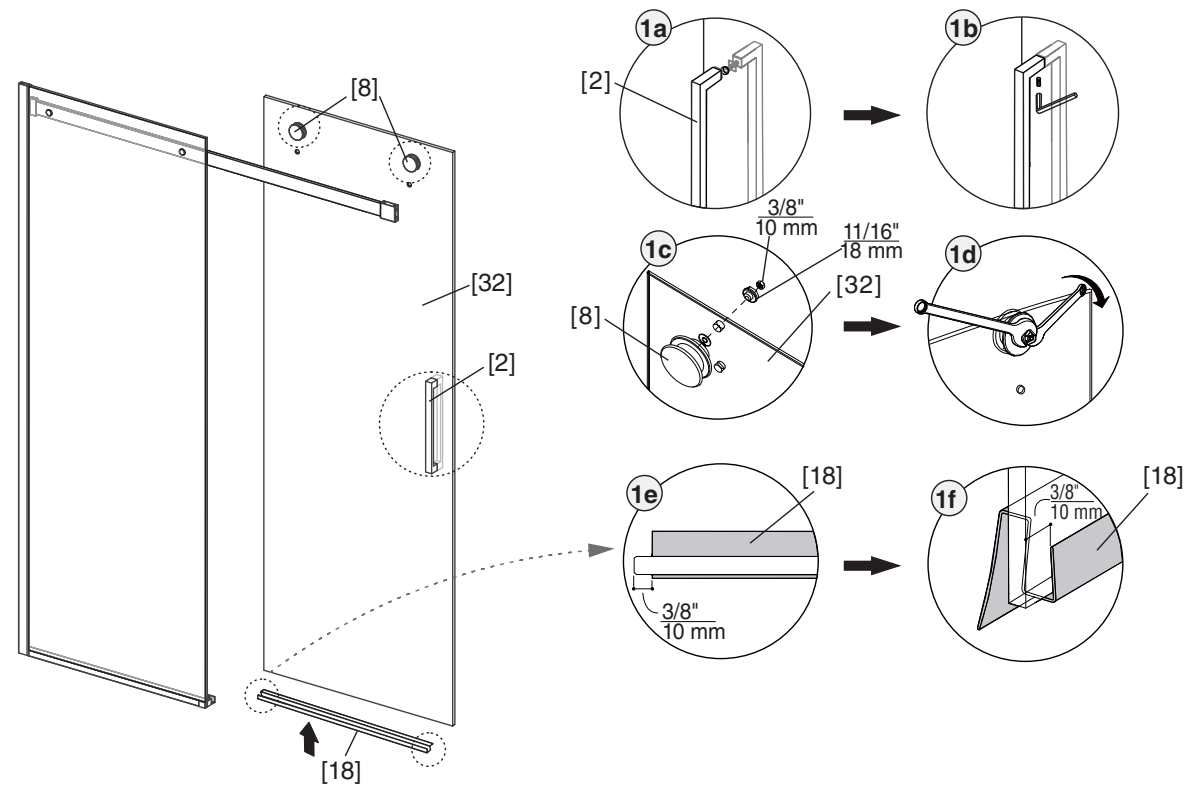
- 1a. Coloque con cuidado el panel corredizo para puerta [32] en el riel horizontal [1] desde la parte interior de la zona de la ducha y sobre las arandelas [8].  
**NOTA: Se requieren dos personas.**
- 1b. Encaje la parte inferior del panel corredizo para puerta [32] en la ranura abierta de la guía inferior [6] y fíjela en su lugar.
- 1c. Retire la tapa roscada del protector de panel para puerta [10] (extremo del buje de plástico transparente) y retire el tornillo de retención dentro del destornillador Phillips. Separe las dos partes.  
**NOTA: ¡No pierda el espaciador de plástico entre estas dos partes! Coloque una de las dos arandelas transparentes suministradas sobre un extremo del protector de panel y la otra sobre el otro extremo. Coloque a través del panel corredizo para puerta [32] con el extremo más grueso apuntando hacia afuera de la zona de la ducha. Vuelva a colocar el tornillo Phillips en su lugar y ajuste.**  
**NOTA: Si el tornillo no encaja en las roscas, las dos partes están atascadas; quizá necesite girarlas 180 grados. Los protectores de panel para puerta pueden ajustarse para que estén lo más cerca posible del riel horizontal [1] para evitar que la puerta se salga del riel horizontal.**
- 1d. Tal vez sea necesario colocar la llave Allen hexagonal en uno de los orificios del protector para usarla como manija o palanca mientras ajusta el tornillo en su lugar. Coloque la tapa roscada de nuevo en el protector de panel para puerta. Repita para el otro protector.
- 1e. Fije el empaque magnético [19] al lado de la manija de la puerta del panel y encájelo en su lugar.
- 1f. Fije el poste [20] sobre el poste de pared corrediza [21] y encájelo en su lugar.
- 1g. Fije la junta lateral [16] al lado contrario del panel corredizo para puerta [32]. Mantenga el lado más ancho hacia la parte exterior de la zona de la ducha.
- 1h y 1i. Tal vez sea necesario recortar una parte de la junta lateral [16] cerca de la parte superior para adaptar el espacio para el riel horizontal [1].





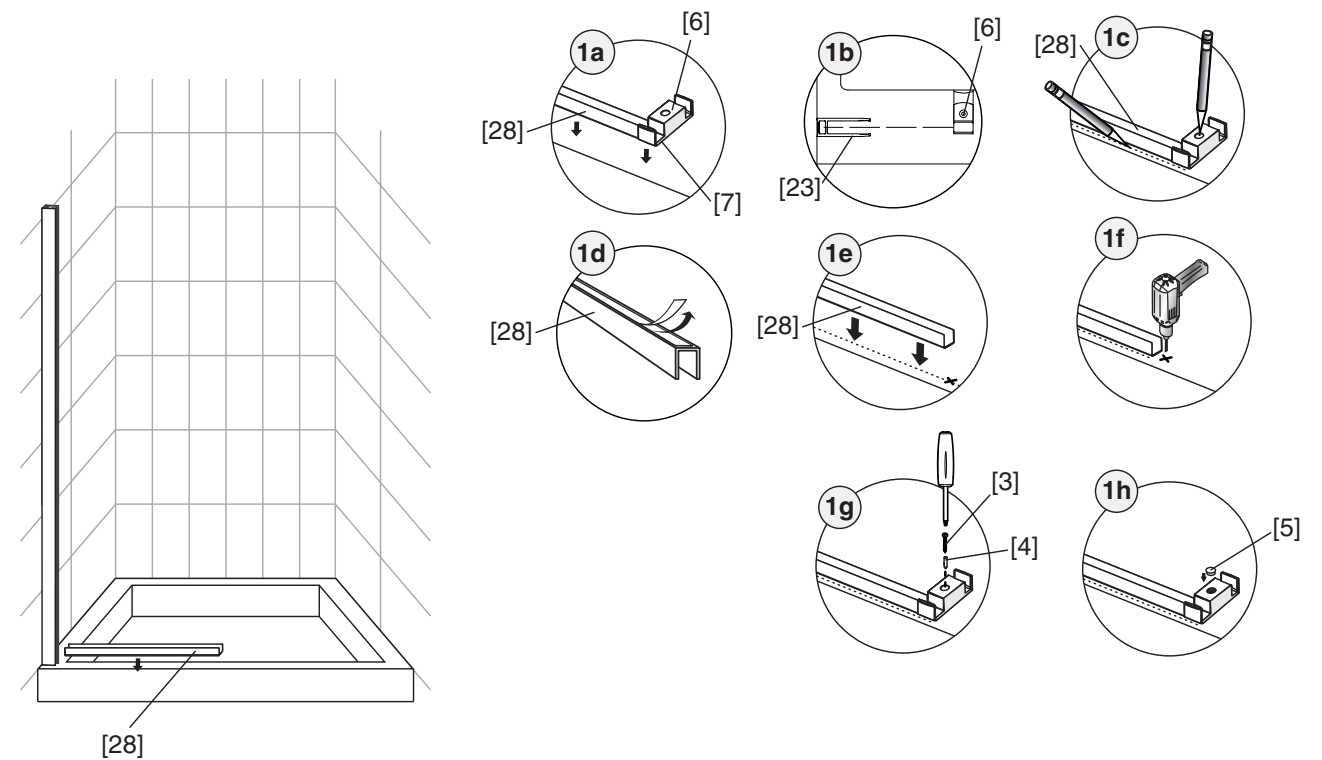
## 5 ENSAMBLAR LAS ARANDELAS Y EL PANEL CORREDIZO PARA PUERTA

- 1a. Instale la manija de la puerta [2] en el panel corredizo para puerta [32] manteniendo las arandelas de plástico transparentes entre el panel de vidrio y la manija.
- 1b. Ajuste los tornillos Allen para fijar la manija de la puerta en su lugar.
- 1c. Retire la tuerca de metal de 10 mm y el retenedor de plástico de 18 mm de la arandela [8] y coloque cuidadosamente el extremo roscado en el orificio del panel corredizo para puerta que mira hacia afuera [32]. Mantenga la arandela de plástico transparente entre la arandela y el panel de vidrio. Desde el lado interior del panel, coloque el retenedor de plástico de 18 mm en las roscas de la arandela y en el orificio del panel de vidrio. Gire para ajustar.
- 1d. Fije la tuerca de metal y ajuste usando un tubo de 10 y una llave de extremo abierto de 18 mm para el retenedor de plástico.
- 1e. Deslice la unta para la parte inferior de la puerta [18] en la parte inferior del panel corredizo para puerta [32]. Mantenga la parte de la lengüeta ancha en la parte interior de la zona de la ducha.
- 1f. Tal vez sea necesario cortar o recortar el material de la junta de la puerta alrededor de 3/8" (10 mm) del borde del panel corredizo para puerta.



## 2 INSTALAR EL CANAL EN U DEL PISO Y LA GUÍA INFERIOR

- 1a. Coloque el canal en U [28] y la guía inferior [6] en el lado del poste de pared fija [21] del borde del umbral de la base de la ducha.  
**NOTA: Un lado de la guía inferior sostiene el panel fijo [31] (con calce de hule [7]), mientras que el otro lado sostiene el panel corredizo para puerta [32] (sin calce de hule [7]).**
- 1b. Alinee el canal en U [28] y la guía inferior [6] con el centro del poste de pared fija [21] y mantenga la misma distancia desde el borde del umbral de la ducha.
- 1c. Marque una línea en la parte exterior del canal en U. Marque también el orificio de montaje de la guía inferior en el umbral de la ducha.
- 1d. Retire el papel protector de la cinta adhesiva en la parte inferior del canal en U [28].
- 1e. Vuelva a colocar el canal en U en el umbral en la línea marcada. Presione hacia abajo para sostenerlo en su lugar.
- 1f. Taladre un orificio piloto para la guía inferior usando una broca de 1/4" (6 mm).
- 1g. Inserte el anclaje de pared [4] en el orificio piloto y ajuste la guía inferior [6] usando el tornillo de cabeza redonda M4x35 [3].
- 1h. Cubra el orificio del tornillo en la guía inferior usando la tapa para tornillo [5].

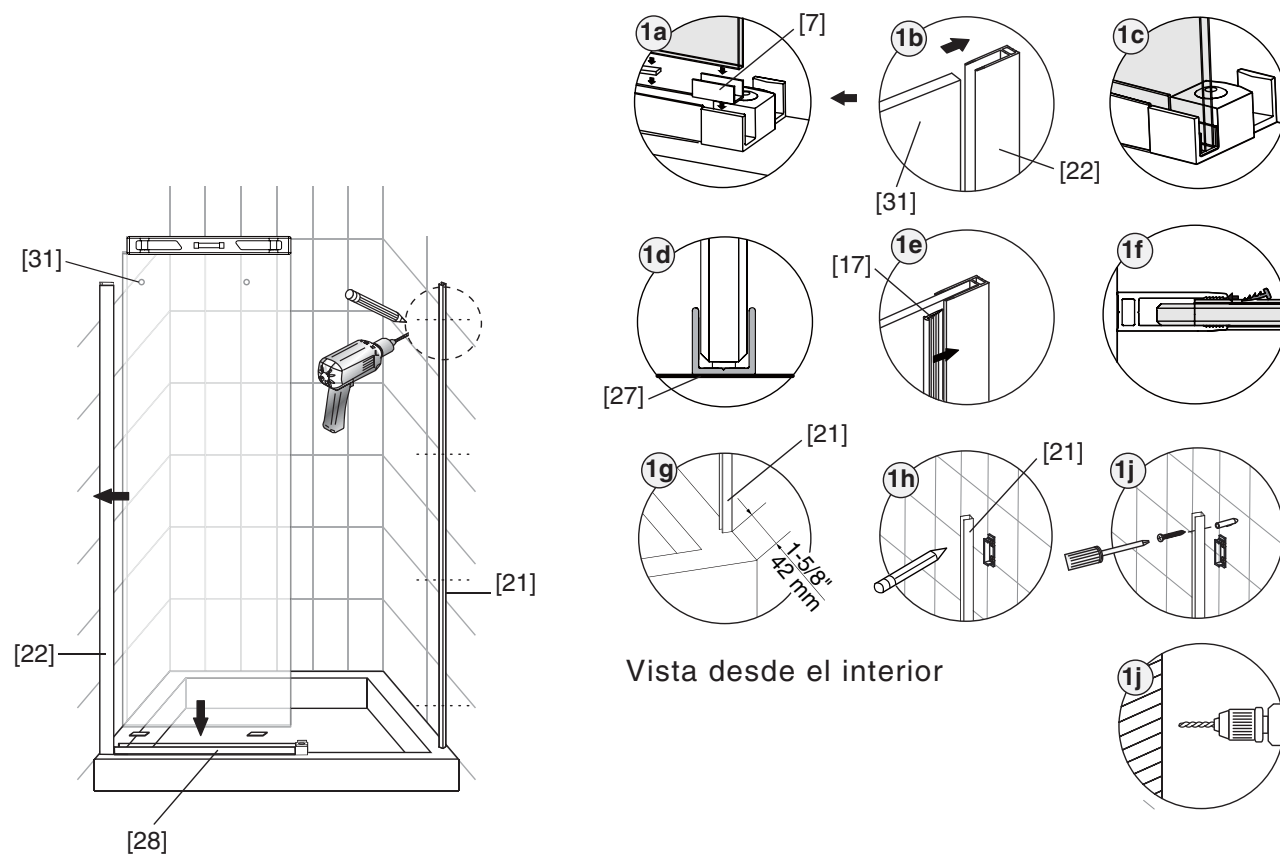


### 3

## ENSAMBLAR EL PANEL FIJO Y EL POSTE DE LA PARED CORREDIZA

**NOTA: SE REQUIEREN DOS PERSONAS**

- 1a. El calce [7] debe estar en la ranura de la guía inferior [6] para el lado con el panel fijo.
- 1b. Coloque con cuidado el panel fijo [31] completamente en el canal en U [28] y el poste de pared fija [22].  
**NOTA: Se requieren 2 personas.**
- 1c. Verifique que el panel fijo esté bien en su lugar y que el panel esté en el extremo más alejado (casi alineado) en la ranura de la guía inferior.
- 1d. Coloque el nivel en la parte superior del panel fijo. Si es necesario nivele usando los calces de canal [27] debajo del panel fijo.  
**NOTA: Hay calces de canal de dos espesores.**
- 1e y 1f. Una vez que el panel está nivelado y en su lugar, inserte el deflector de agua [17] del lado de la ducha entre el panel fijo [31] y el poste de pared fija [22].
- 1g. Para instalar el poste de pared corrediza [21], colóquelo en el lado contrario de la pared de entrada a la ducha y marque aproximadamente 1-5/8" (42 mm) desde el borde del umbral de la base de la ducha.
- 1h. Asegúrese de que el poste de pared corrediza esté aplomado y luego marque el lugar de los 4 orificios para los tornillos.
- 1i. Taladre un orificio piloto en cada lugar marcado usando una broca de 1/4" (6 mm) (si usa anclajes de pared [24]).
- 1j. Inserte los anclajes de pared [24], coloque el poste de pared en su lugar y atornille usando tornillos M4x35 [23].



Vista desde el interior

### 4

## ENSAMBLAR EL RIEL HORIZONTAL Y LOS CONECTORES DE PARED

- 1a. Fije el bloque límite [33] al conector de pared [11a]. **NOTA:** El conector de pared [11a] tiene un orificio roscado en un lado para adaptarse al bloque límite.
- 1b. Fije el conector de pared al bloque límite con el montante de base de conector [12] en el lado del panel fijo [31] de la ducha y ajuste los dos tornillos Allen usando la llave Allen hexagonal suministrada.
- 1c. Deslice el segundo conector de pared [11b] en el extremo del riel horizontal [1] (del lado contrario a los dos orificios roscados). Mantenga el borde con placa de cromo mirando hacia fuera de la ducha y ajuste levemente los tornillos Allen. Inserte el lado contrario del riel horizontal [1] (extremo con dos orificios roscados mirando hacia el panel fijo) en el conector de pared [11a] y alinee los orificios roscados en el riel con los orificios en el vidrio del panel fijo [31]. Luego deslice el conector de pared contrario [11b] en el montante de base de conector del otro lado de la ducha y ajuste levemente los tornillos Allen del conector de pared [11b] para sostenerlo en su lugar.
- 1d. Inserte el extremo roscado del sujetador para panel fijo [9] a través del orificio de vidrio del panel fijo [31] desde la parte exterior de la ducha. Mantenga el buje de plástico en el centro del vidrio. Coloque el otro extremo del sujetador del lado contrario del panel de vidrio en el extremo roscado del sujetador. Las arandelas transparentes deben estar en contacto con ambos lados del vidrio. Luego gire el sujetador para el panel fijo en uno de los orificios roscados del riel horizontal [1]. Repita para el segundo sujetador y ajuste hasta que ambos sujetadores estén bien fijados en el panel de vidrio y el riel horizontal.
- 1e. El ajuste el sujetador para panel fijo en su lugar usando la llave Allen hexagonal como una manija para ajustar.
- 1f y 1g. Deslice el segundo conector de pared [11b] en el montante de base de conector [12] y ajuste los tornillos Allen para sujetarlo en su lugar.

