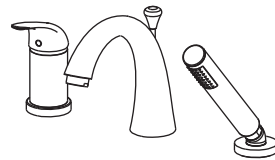


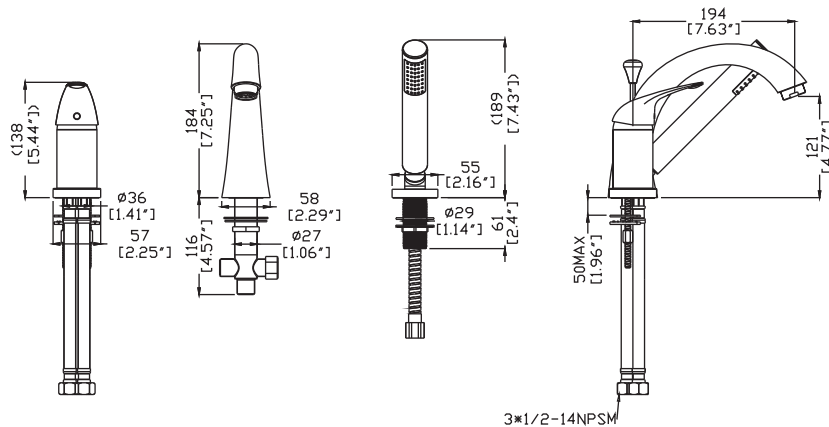


# FR-AZ801 Installation Guide

For more information visit  
www.ANZZI.com or call  
1-844-44-ANZZI



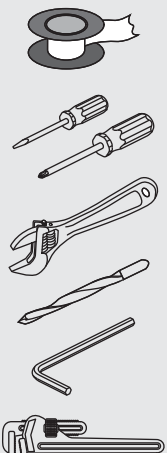
## DIMENSIONS



■ For Reference only (unit = mm[inch])

## FAUCET MAINTENANCE

### RECOMMENDED TOOLS



### CARE INSTRUCTIONS

To keep your faucet looking its best, please follow these simple care instructions:

#### DO:

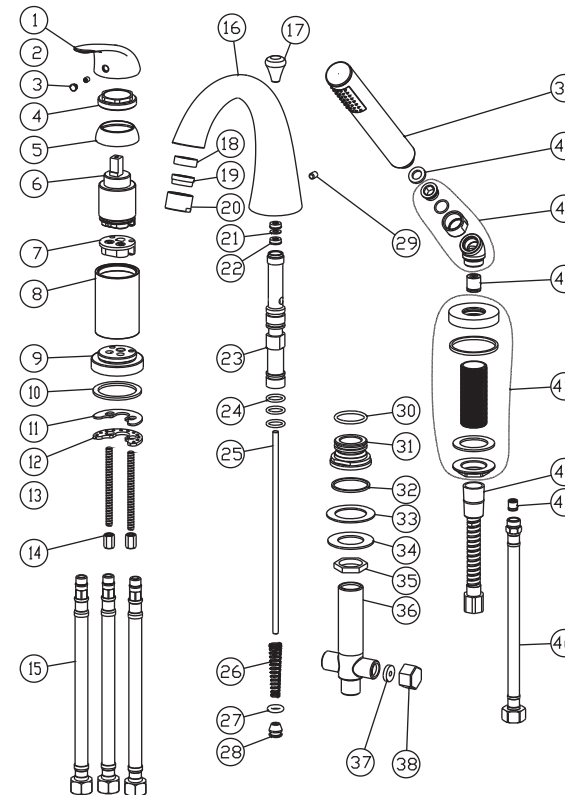
1. Remove as much surface dirt and film using clear water and a soft cotton cloth.
2. Use any of the following to remove tough surface film and build-up:
  - Mild liquid detergent
  - Non-acidic, non-abrasive gentle liquid cleanser
  - Non-abrasive liquid polisher.
3. Once clean, rinse faucet with clear water to thoroughly remove cleaner or polish and blot dry with soft cotton cloth.

#### DO NOT:

1. Use abrasive cleansers, cloths, or paper towels.
2. Use any cleaning agents containing acids, polish, waxes, alcohol, ammonia, bleach, solvents or any other corrosive or harsh chemical cleansers.

## EXPLODED DRAWING

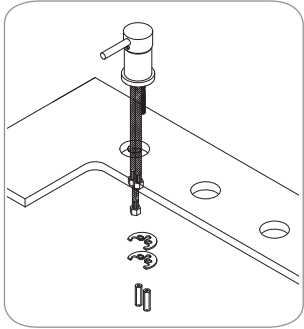
Please read the followings before installing and usage.



NO.	Part No	Part Desc	Qty
01	CTHZ0312	HANDLE	1
02	CTST0117	SCREW	1
03	CTCP0072	CAP	1
04	CTKB0065	RETAINER	1
05	CTCP0192	COVER	1
06	ATBA0138	CARTRIDGE	1
07	ATBA0169	CHECK VALVE	1
08	CTCB0704	SLEEVE	1
09	CTDB0468	BASE SEAT	1
10	CTWR0156	WASHER	1
11	CTWR0282	GASKET	1
12	CTWT0071	GASKET	1
13	CTST0013	SCREW	2
14	CTNB0321	NUT	2
15	ATBP0312	HOSE	3
16	CTFB0220	SPOUT	1
17	CTHB0269	TIP	1
18	CTWR0018	WASHER	1
19	CTQP0030	FLOW REGULATOR	1
20	CTXB0021	HOUSING	1
21	CTWB0089	WASHER	1
22	CTRR0138	WASHER	2
23	CTPB0549	SHANK	1
24	CTRR0082	O-RING	3
25	CTMT0044	LIFT ROD	1
26	CTBT0070	SPRING	1
27	CTRR0139	O-RING	1
28	CTDB0133	STOP	1
29	CTST0137	SCREW	1
30	CTRR0137	O-RING	1
31	CTDB0131	BASE SEAT	1
32	CTWR0060	WASHER	1
33	CTWR0115	WASHER	1
34	CTWT0038	WASHER	1
35	CTNB0156	NUT	1
36	CTPB0188	SHANK	1
37	CTWR0088	WASHER	1
38	CTTB0014	BLOCK	1
39	ATBE0141	SHOWER	1
40	CTWR0341	WASHER	1
41	ATBL0026	ADAPTER	1
42	ATBA4028	CHECK VALVE	1
43	ATBD0093	HOLDER	1
44	ATBP0070	HOSE	1
45	ATBA0100	CHECK VALVE	1
46	ATBP0311	HOSE	1

■ Notes: For reference only. We reserve the right to make changes without any notice.

## Step 1



### Handle installation

- ① Place the base of the handle flange kit on the left hole. Insert the braided flex connectors through the hole.
- ② From underneath, place metal washer and locknut on each threaded stud and tighten gently by hand.
- ③ Now, position and properly align the handle on top. Tighten the locknuts with a flat head screwdriver or appropriate tool. Do not overtighten.

## Step 2

### Spout installation

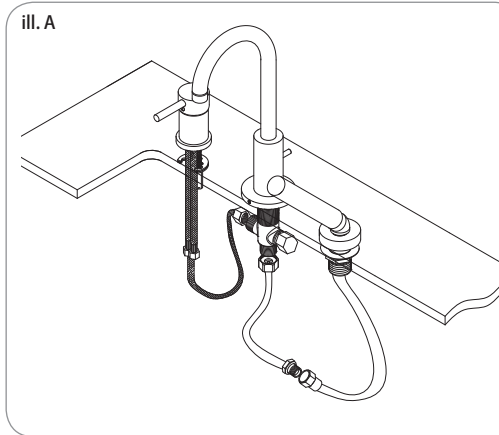
- ① Unscrew the Allen screw in back of the spout. Pull apart the spout from its connector (do not unscrew). Separate the spout flange from the spout. Place o-ring underneath the spout flange and place the flange over the center hole between the handle and hand shower.
- ② Unscrew the superior spout locknut of the spout connector. Make sure that the locknut and the metal and rubber washers are in place on the spout connector. From underneath the bathtub, insert the top of the connector in the hole between the handle and hand shower. From over the bathtub, screw the superior spout locknut to secure the connector and the flange in place.
- ③ Install the spout on the connector and align the spout with the flange, making sure to insert the anti-rotation pin in the stop hole. Tighten spout in place by screwing the Allen screw in front of the spout.

## Step 3

### Hand shower holder installation

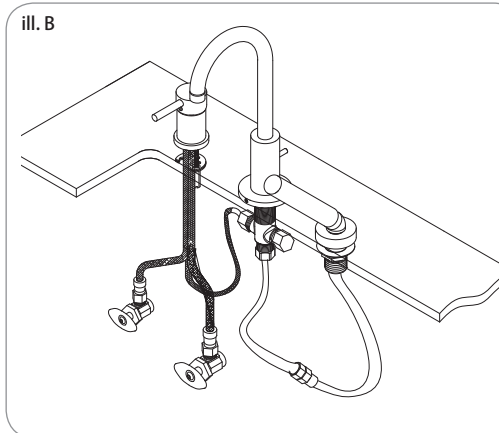
- ① Unscrew the locknut and take off metal and rubber washers.
- ② Insert the hand shower holder in the hole making sure to place the o-ring underneath the fix holder. From under, screw the rubber and metal washers, as well as the retainer ring to the holder in place.
- ③ Connect the hose to the hand shower hole, making sure that the rubber washer is in place. From above, slide the hose through the holder to sit the hand shower on its base.

## Step 4



### Valve and water supply connection

- ① Using the flexible connectors included (5), connect the valve to the spout connector. Use the extra flexible connector (14) to join the spout to the hand shower hose. Tighten using appropriate tool. (ill. A)
- ② Connect hot and cold valves to the corresponding water supply lines using flexible connectors and tighten. (ill. B)



## Step 5

### Testing connections

**WARNING:** Remove aerator before testing connections. Place the appropriate wrench on the flat edges and unfasten. Use a cloth to not damage the part. Do not overtighten.

- ① Verify that there are no leaks by slowly opening the hot and cold water. In case of a leak, shut off the water supply and tighten connectors 1/4 turn using the appropriate tool. Repeat if necessary.
- ② Turn on the faucet and leave both hot and cold water running for at least one minute to evacuate the air trapped in the pipes. Turn off water.

③ Assemble the aerator as illustrated and insert into the spout, tightening by hand. You can now turn on water supply.

