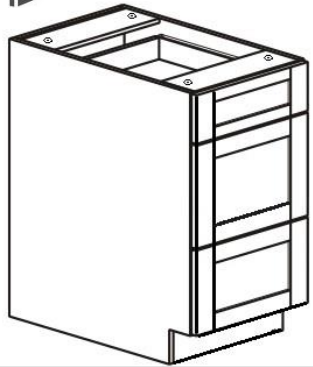


# KROSSWOOD

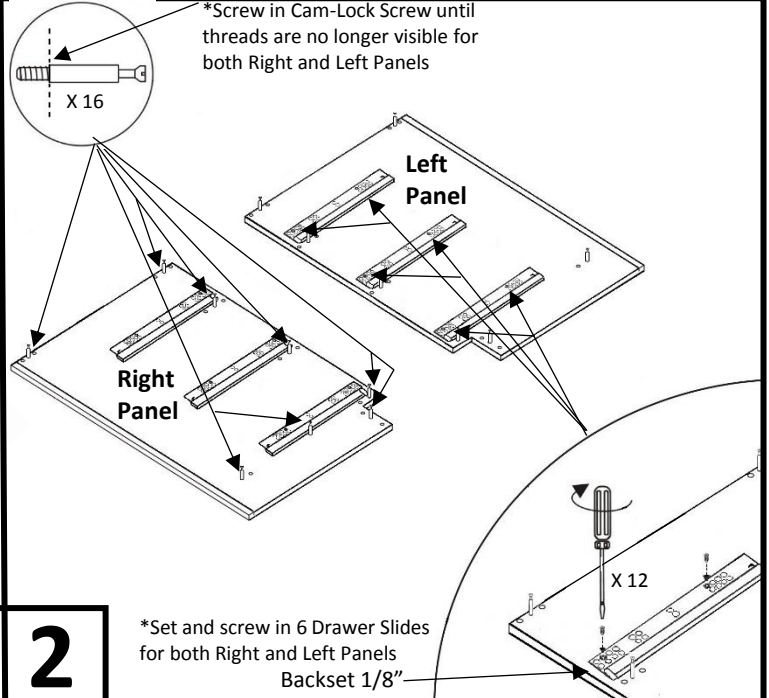
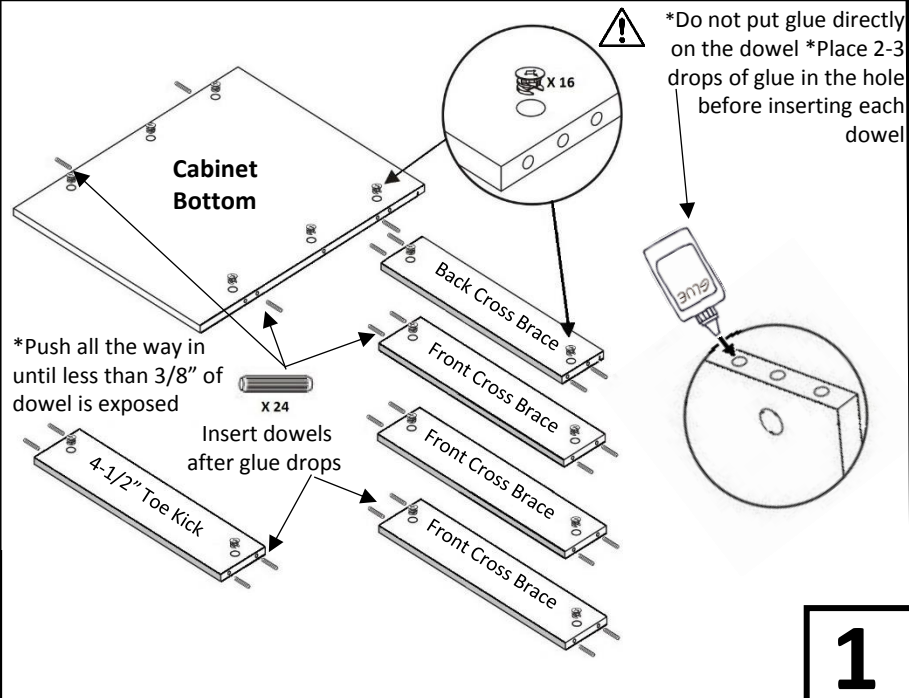
## CABINETS

By Modern Classic

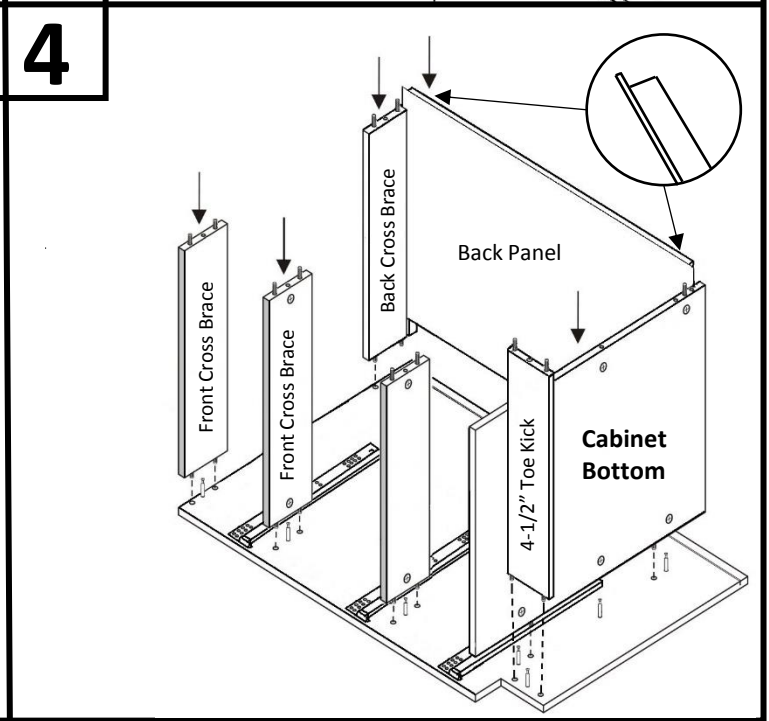
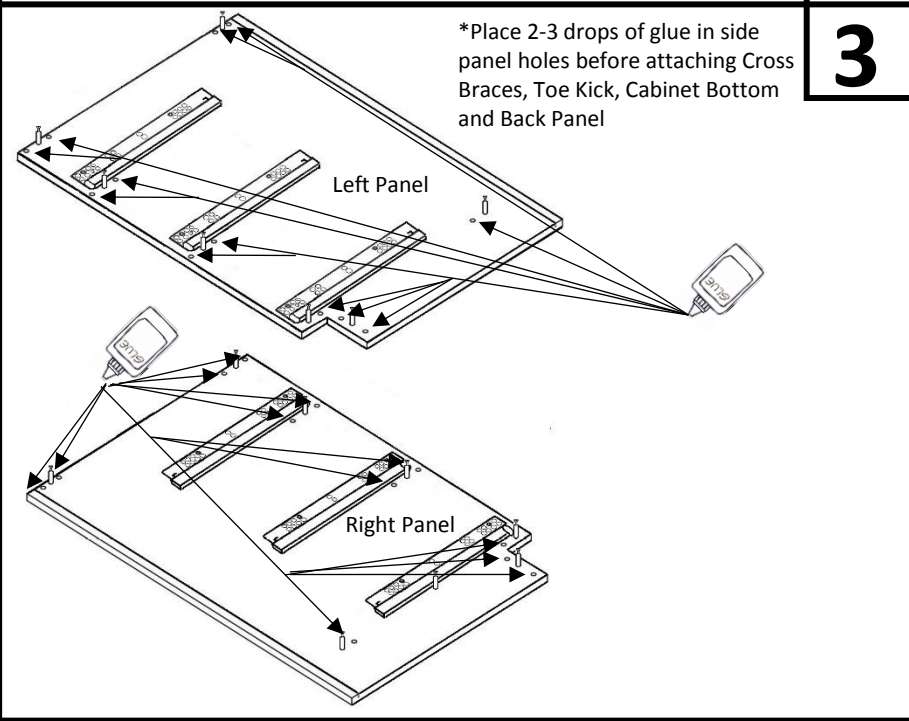


### Assembly Instructions

#### Base/Vanity with 3 Drawers



**1 2**  
**3 4**

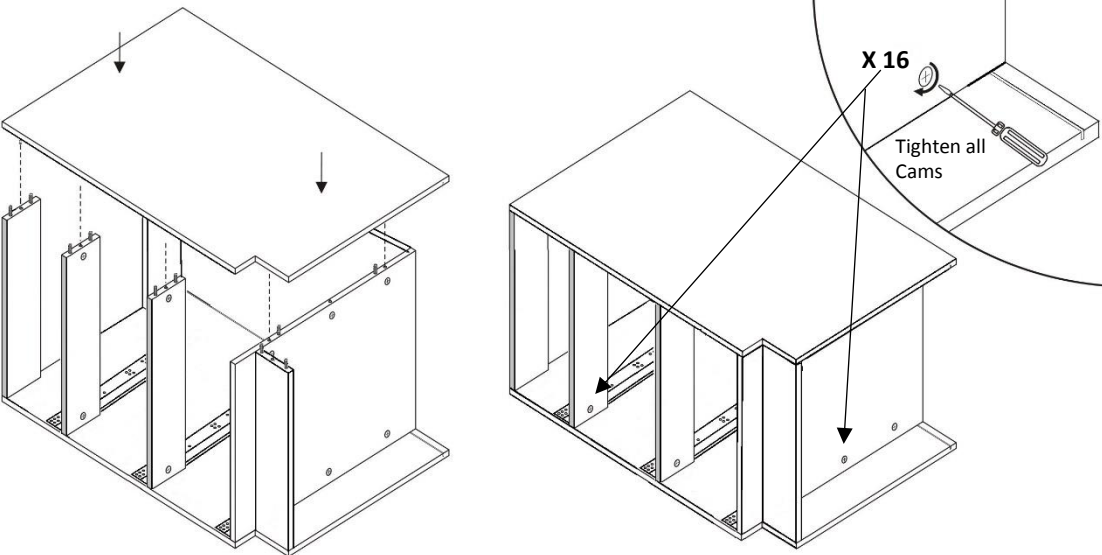


Tools needed but not provided:

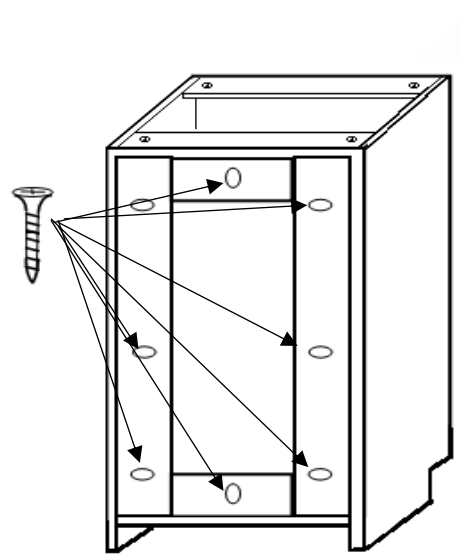
- Wood Glue
- Phillips Screwdriver
- Rubber Mallet

- Wood Dowel
- Cam-Lock Screw
- Cam-Lock Nut
- 1/4" Screw
- 1/2" Screw
- Bumpers
- 4 1/2" Toe Kick
- Front Cross Brace X 3
- Back Cross Brace
- Drawer Slides X 6
- Left Panel
- Drawer Bottom X 3
- Cabinet Bottom
- Back Panel
- Right Panel
- Drawer Front X 3
- Drawer Back X 3
- Drawer Side X 6

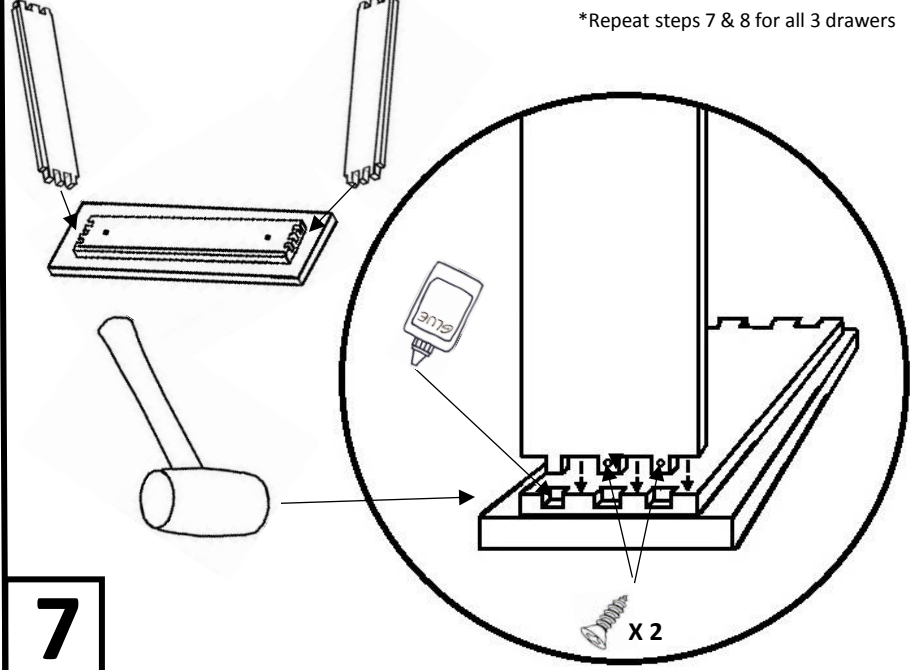
\*Repeat steps 7 & 8 for all 3 drawers



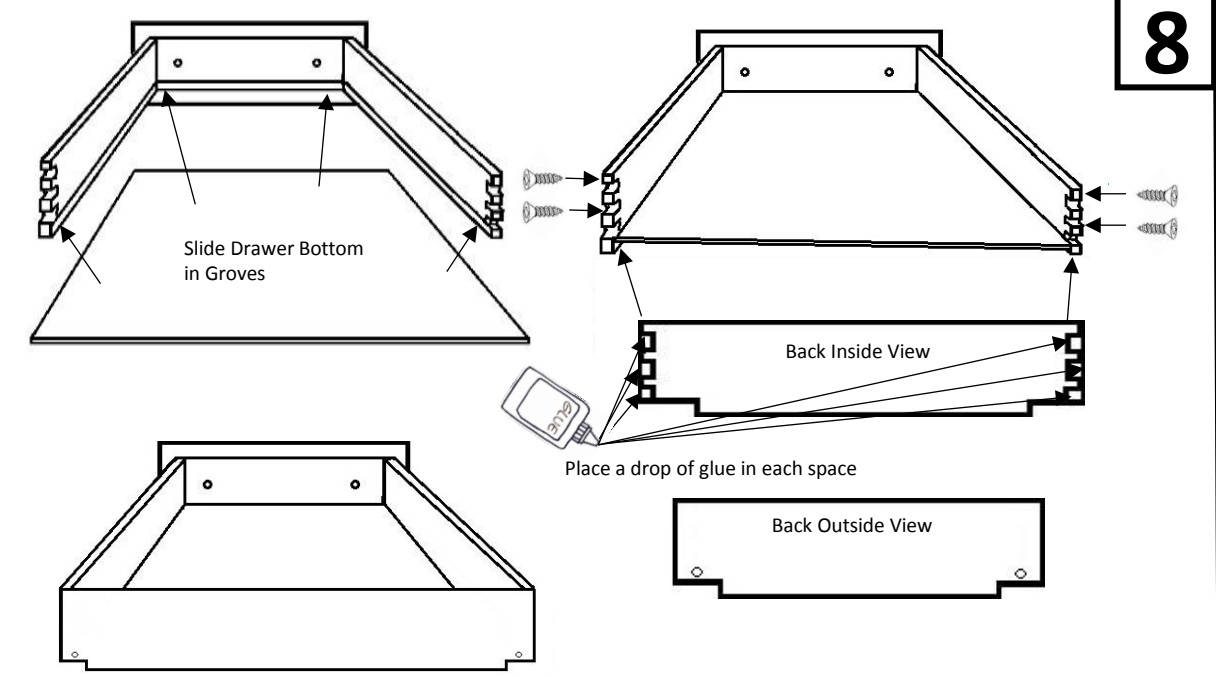
5



6

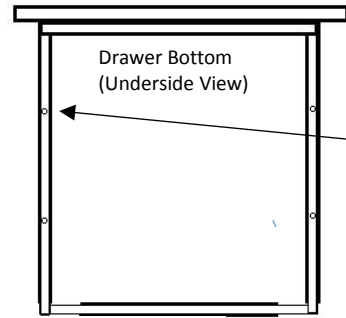


7

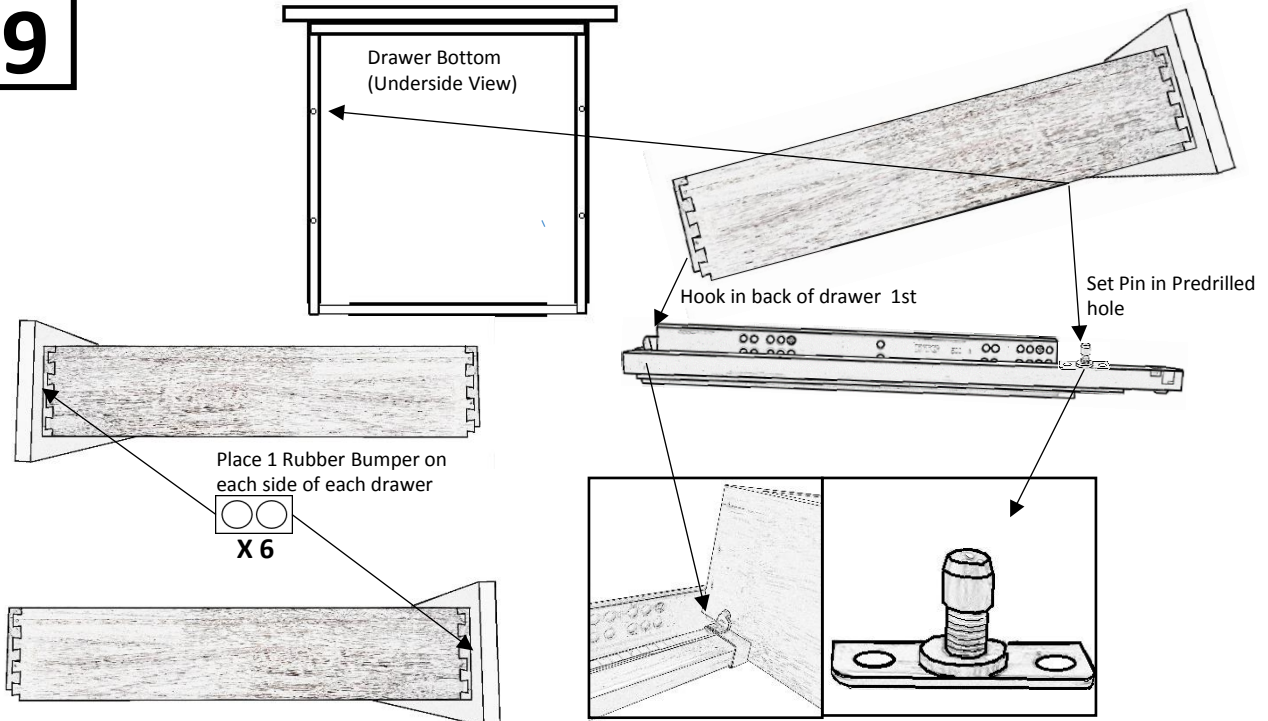


8

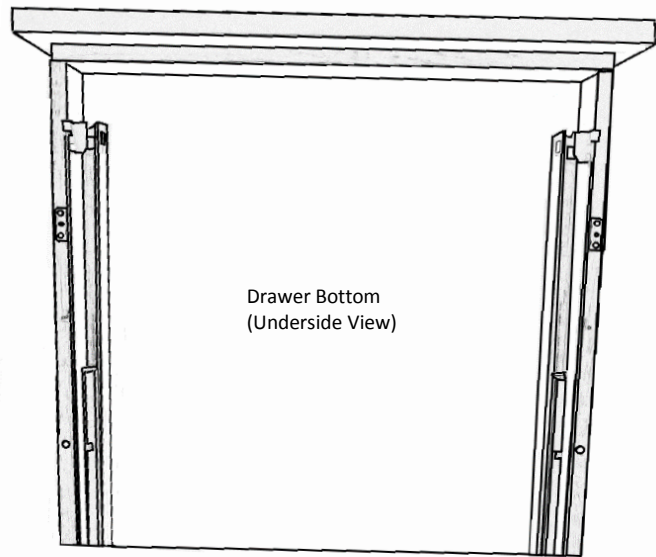
9



Drawer Bottom (Underside View)

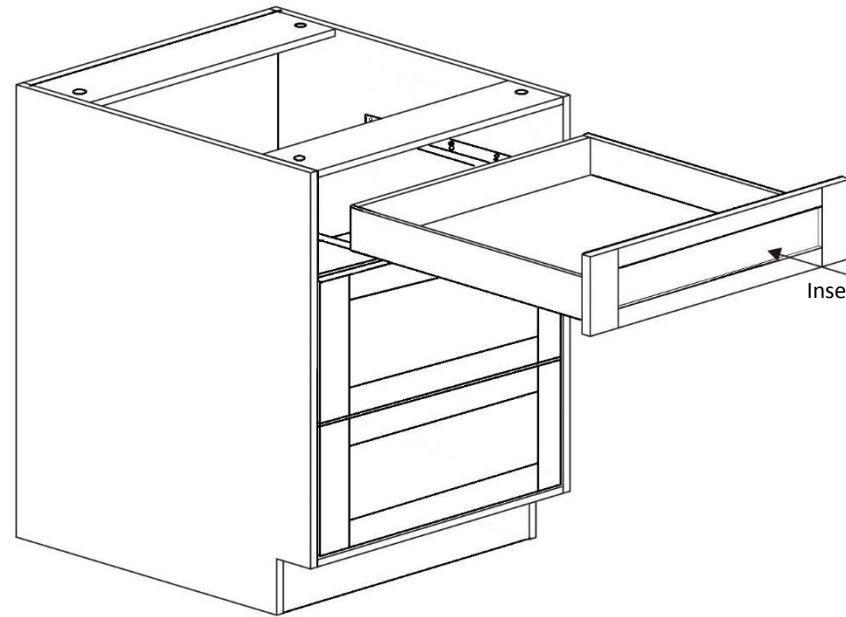


\*Repeat steps 7 & 8 for all 3 drawers



Drawer Bottom  
(Underside View)

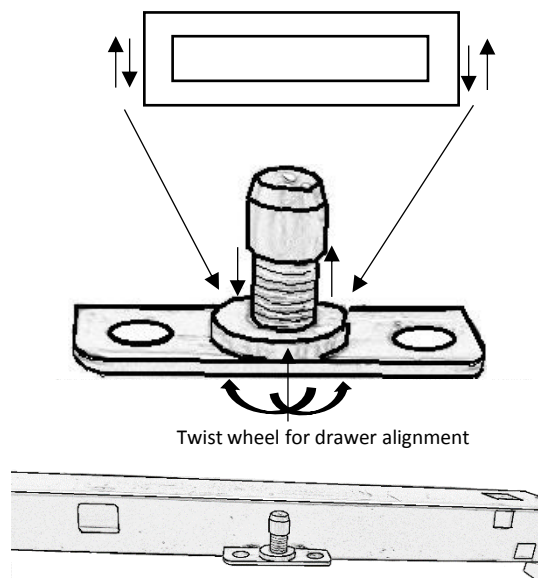
\* Drawer shown from underneath installed on slides



Insert all three drawers

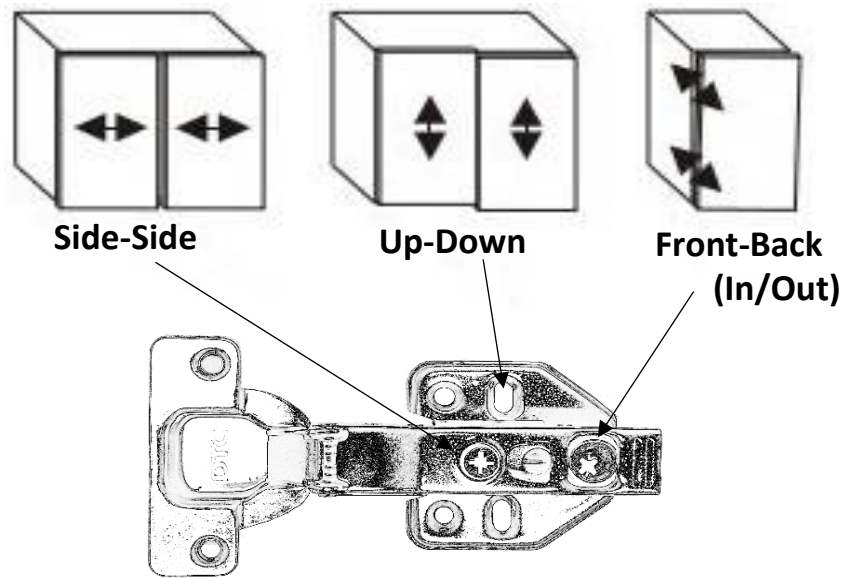
**10 11**  
**13 14**

Drawer Adjustment



Twist wheel for drawer alignment

Hinge Adjustment as Needed For Door Alignment



Side-Side

Up-Down

Front-Back  
(In/Out)