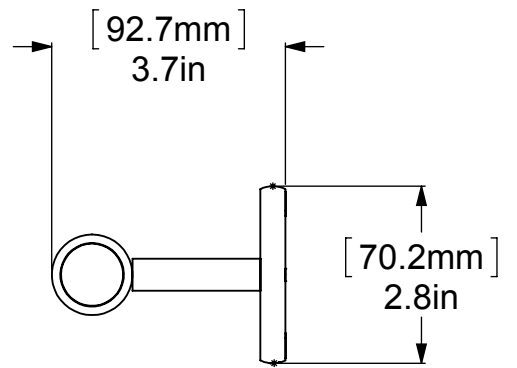
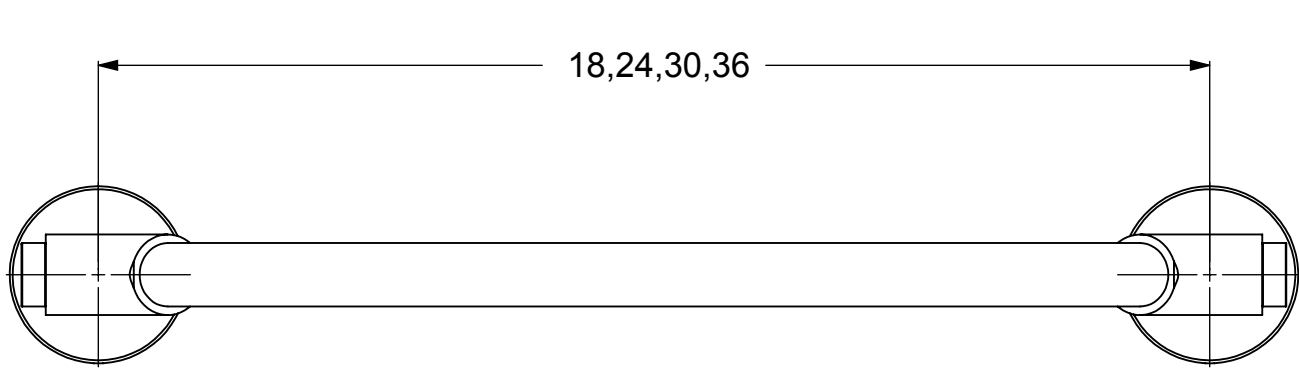
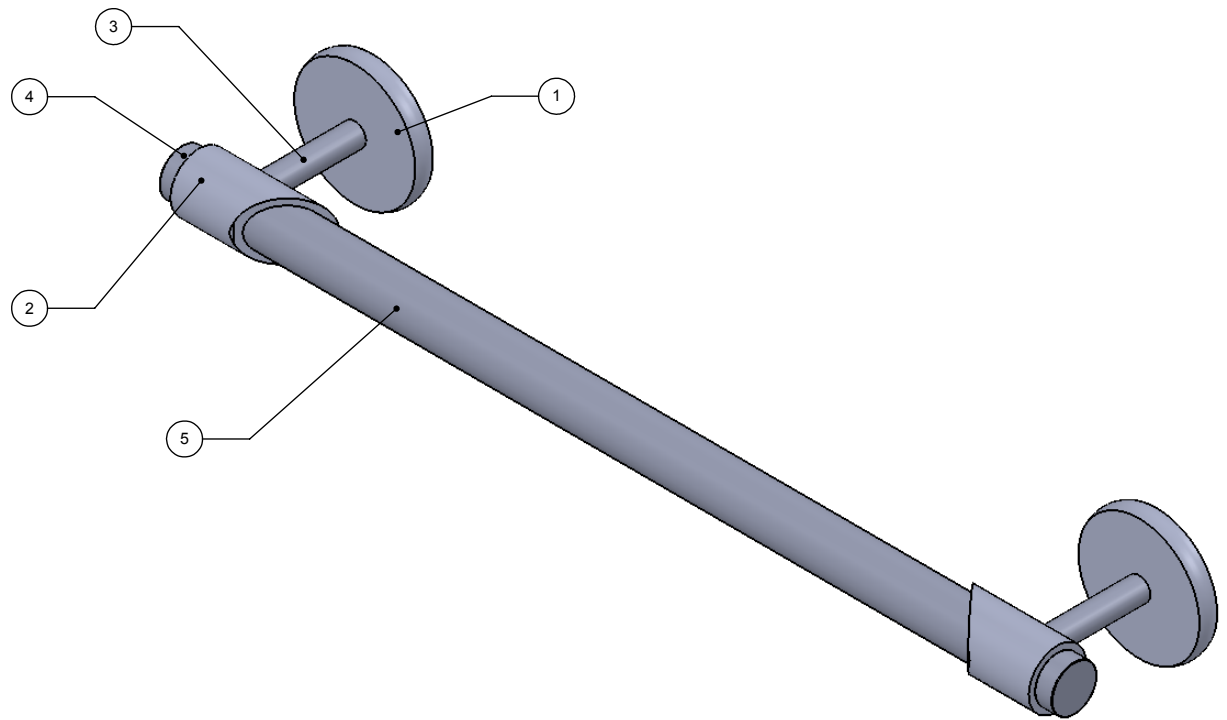
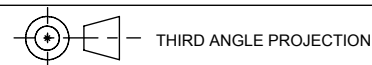


ITEM NO.	P/N	Description	QTY.
1	BPRD	BACKPLATE	2
2	BKSVT	SUPPORT	2
3	TU12-2	TUBE	2
4	CARD-1	CAP	2
5	TU34	BAR	1



UNLESS OTHERWISE STATED	
.X	±.3mm
.XX	±.15mm
.XXX	±.008mm

COPYRIGHT © Allied Brass 2016



DRAWN	2-18-17	I.M
CHECKED	2-18-17	P.D
APPROVED	2-18-17	R.A

MATERIAL:	BRASS
DESCRIPTION:	TOWEL BAR

FINISH	TBD
QUANTITY	TBD
DRAWING No.	TR-51
REV	0
SCALE	1:3
SHEET: 01	A4