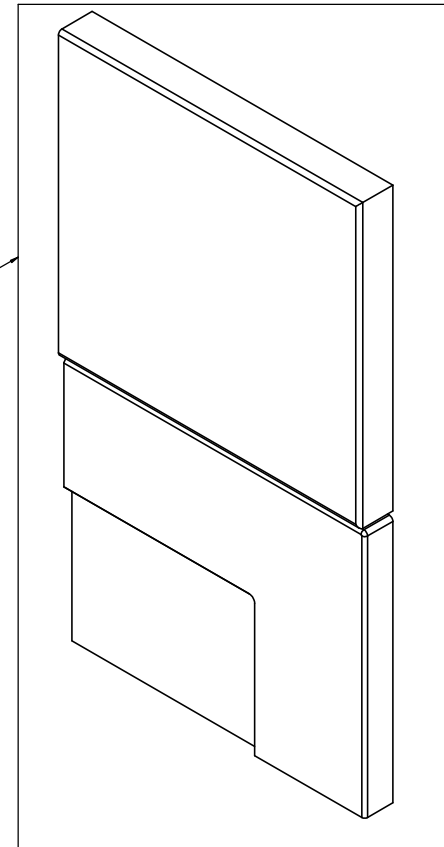
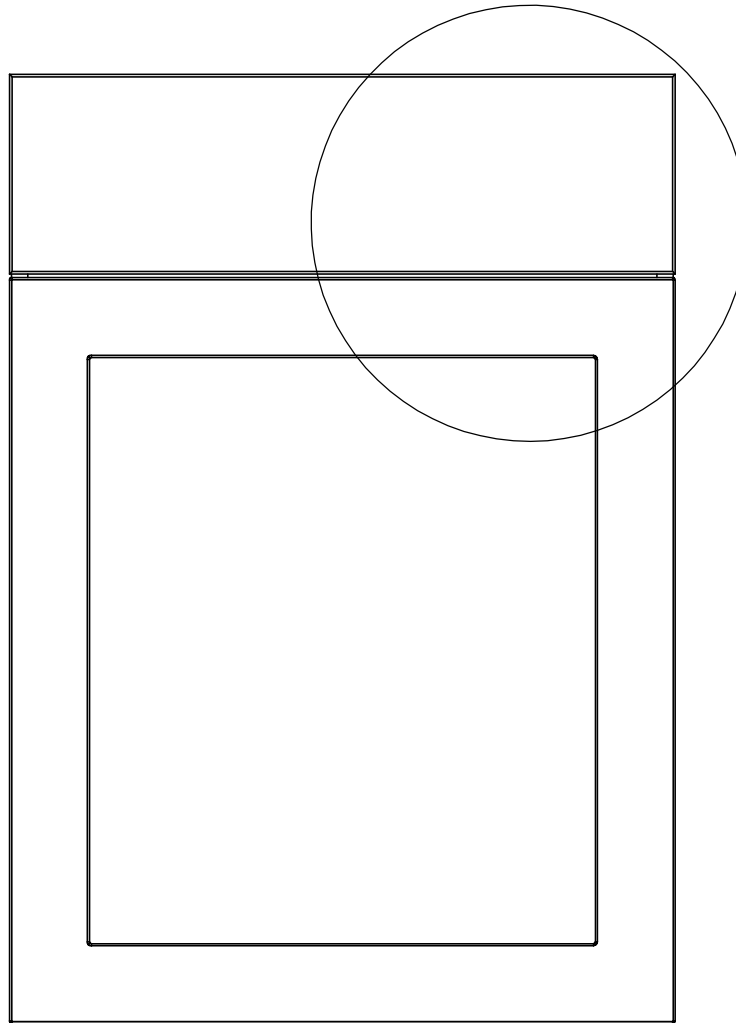


Item ID	Front Thickness [in] mm	Door Thickness [in] mm
CM2135B-WH	[.63] 16	[.63] 16

This profile belongs to CM2135B-WH

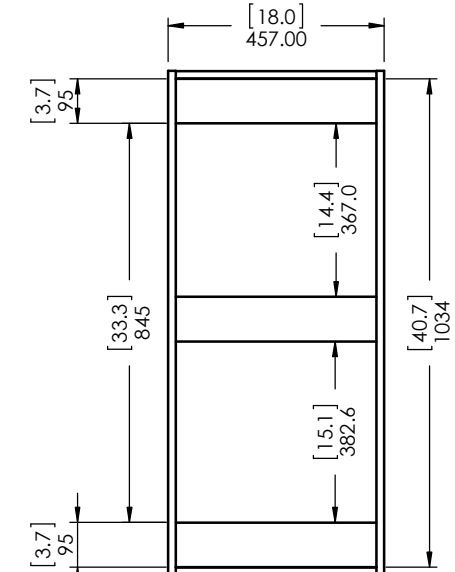


Detailed View

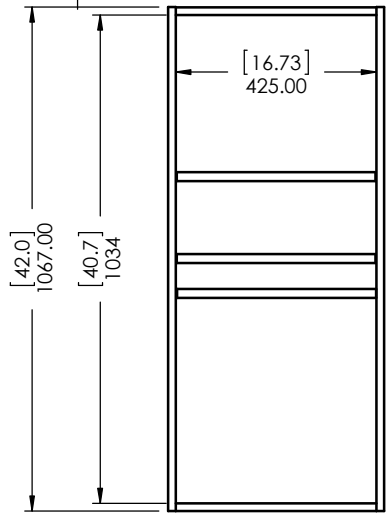
<b>Profile: Cambridge White &amp; Kitchen Gray</b>		
<small>PROPRIETARY AND CONFIDENTIAL</small> <small>THE INFORMATION CONTAINED IN THIS DRAWING IS THE SOLE PROPERTY OF WOODCRAFTERS. ANY REPRODUCTION IN PART OR AS A WHOLE WITHOUT THE WRITTEN PERMISSION OF WOODCRAFTERS IS PROHIBITED.</small>	<small>UNLESS OTHERWISE SPECIFIED</small> <small>DIMENSIONS ARE IN MM AND [INCHES]</small> <small>TOLERANCES ARE +.039[1]-.039[1]</small> <small>SCALE:1:2</small>	

Item ID	Shelf Thickness mm (in)	Depth "X"
BT1842W-BT	19 (.75)	12.6
BT1842W-WH	19 (.75)	12.5
BT1842W-RC	19 (.75)	12.6
CM1842W-DK	19 (.75)	12.6
CM1842W-WH	15 (.59)	12.5
CM1842W-KG	19 (.75)	12.5

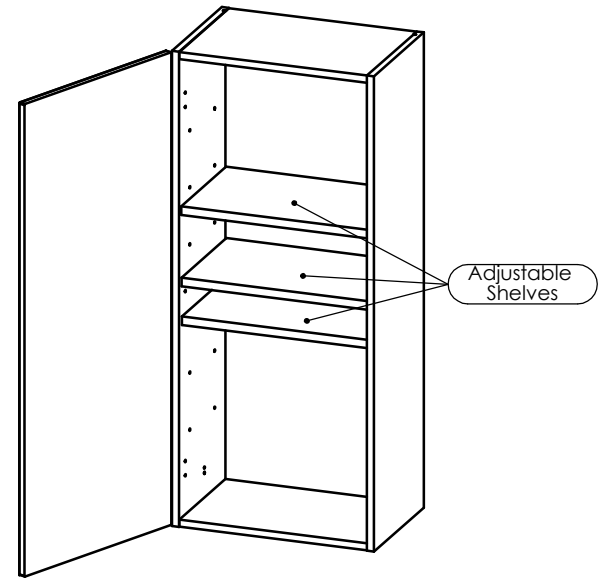
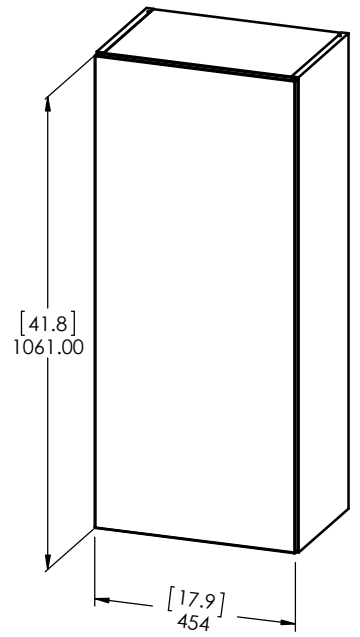
REV	ECO#	DESCRIPTION	REV'D BY DATE	CHK'D BY DATE	APRV'D BY DATE
0		New Release	ASG 9/22/17	ASG 9/22/17	ASG 9/22/17



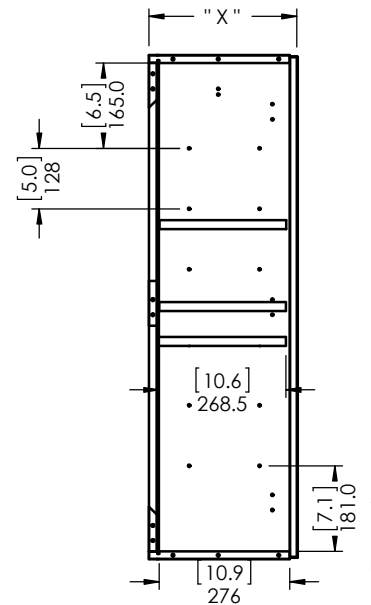
**BACK VIEW**



**Front View  
(front door removed)**



**ISOMETRIC VIEW**



**Side View  
(left panel removed)**

**PROPRIETARY AND CONFIDENTIAL**  
THE INFORMATION CONTAINED IN THIS DRAWING IS THE SOLE PROPERTY OF WOODCRAFTERS HOME PRODUCTS L.L.C. ANY REPRODUCTION IN PART OR AS A WHOLE WITHOUT THE WRITTEN PERMISSION OF WOODCRAFTERS HOME PRODUCTS L.L.C. IS PROHIBITED.

UNLESS OTHERWISE SPECIFIED  
DIMENSIONS ARE IN mm and [inches]  
AND TOLERANCES ARE +/- 0.5[0.02]

DRAWN BY:	A.Salinas	8/23/17
CHECKED BY:	A.Salinas	8/23/17
APPROVED BY:	A.Salinas	8/23/17
DO NOT SCALE DRAWING	SCALE: 1:20	SIZE: <b>A</b>

**Wood Crafters**

PART NO. **Kitchen Wall Cabinet 18x42** SHEET 1 OF 1 REV: 0