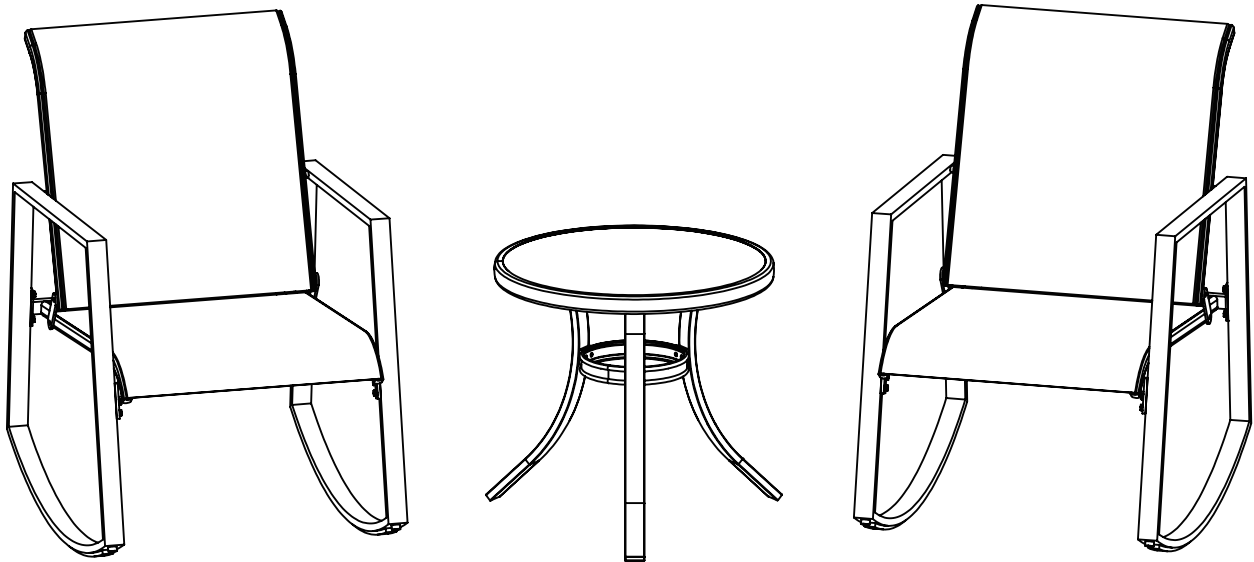


**Aurora 3 piece sling seating set**  
**ASSEMBLY INSTRUCTIONS**  
**SS-K-601-1ERC/3**

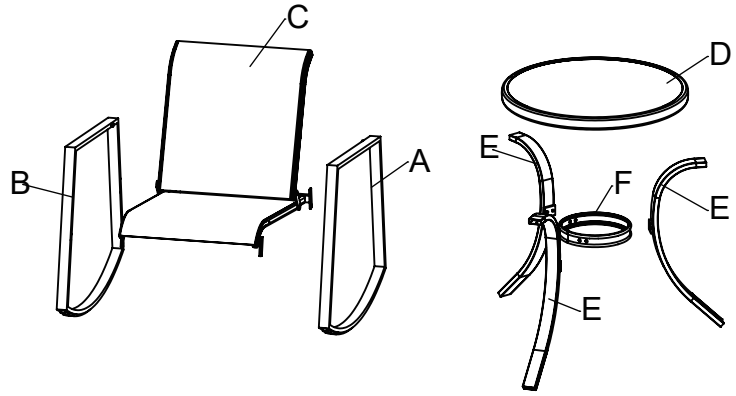


Questions, problems, missing parts with this product? Do not return to your retailer, please call our customer service department 9:00 a.m. to 5:00 p.m. Eastern Standard Time Monday through Friday Phone # 1-800-457-4652 or contact us at [www.numarkcustomerservice.com](http://www.numarkcustomerservice.com)



# Parts

|   |   |   |
|---|---|---|
| A | left chair leg                                  | 2 |
| B | right chair leg                                 | 2 |
| C | seat and back                                   | 2 |
| D | table top                                       | 1 |
| E | metal table leg                                 | 3 |
|   | (2 Metal Washers and 2 Bolts attached for each) |   |
| F | center ring                                     | 1 |



## Hardware

Ga x 3  
Screw



Gb x 16 + 1 spare  
Short bolt



Gc x 4  
Long bolt



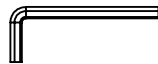
Gd x 20  
Metal washer



Ge x 1 spare  
Glass Bumper



Gh x 1  
Allen wrench



## Assembly instruction

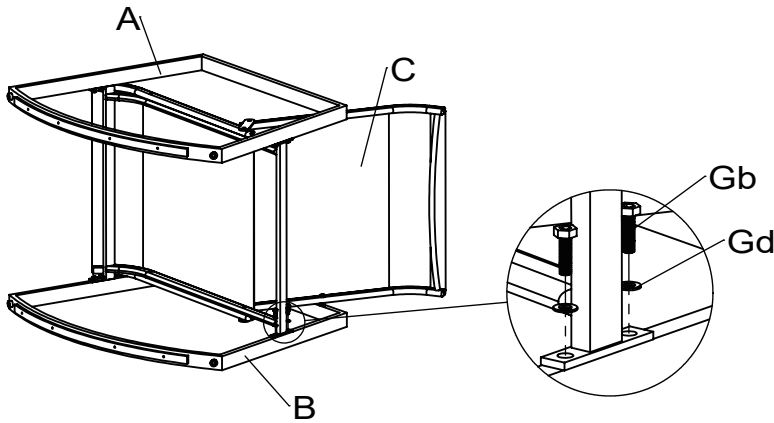
1

Gb x 4  
Short bolt

Gd x 4  
Metal washer

Do not tighten completely.  
Repeat procedure for the other side.

2



Gb x 4  
Short bolt

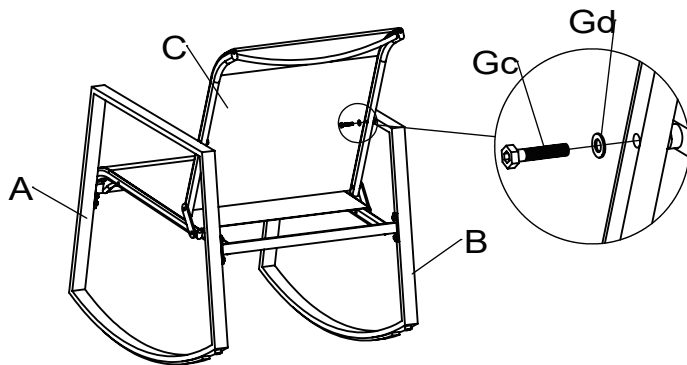


Gd x 4  
Metal washer



Do not tighten completely.  
Repeat procedure for the other side.

3



Gc x 2  
Long bolt

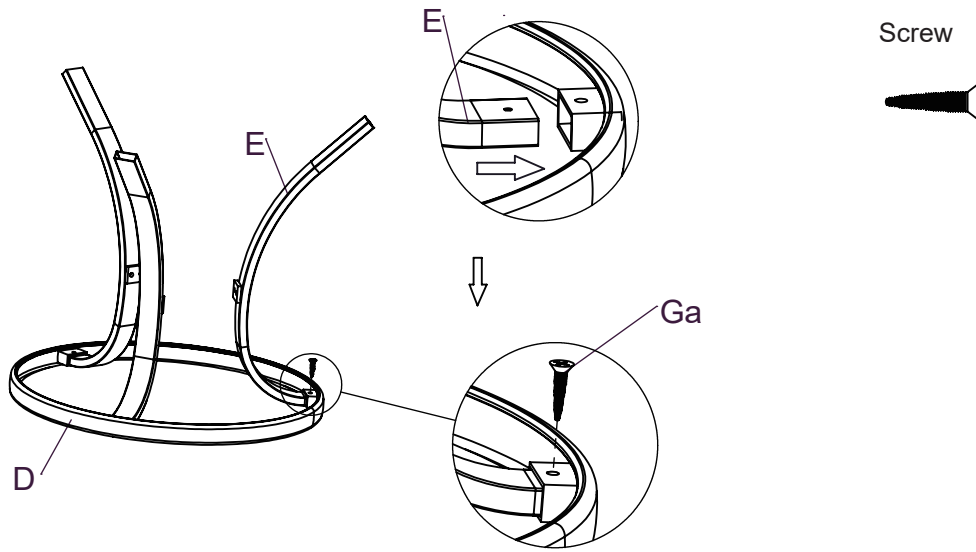


Gd x 2  
Metal washer



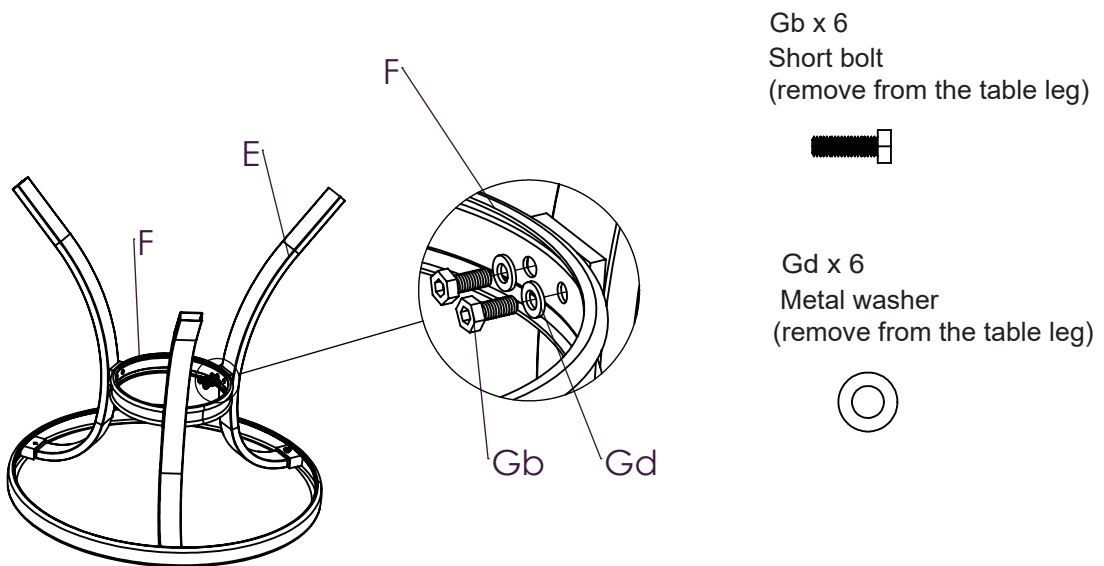
Do not tighten completely.  
Repeat procedure for the other side.  
Securely tighten all bolts.

4



Do not tighten completely. Repeat procedure for the other two legs.

5



Turn over the whole table and keep flat.

Securely tighten all bolts.

Your side table is now ready for use.