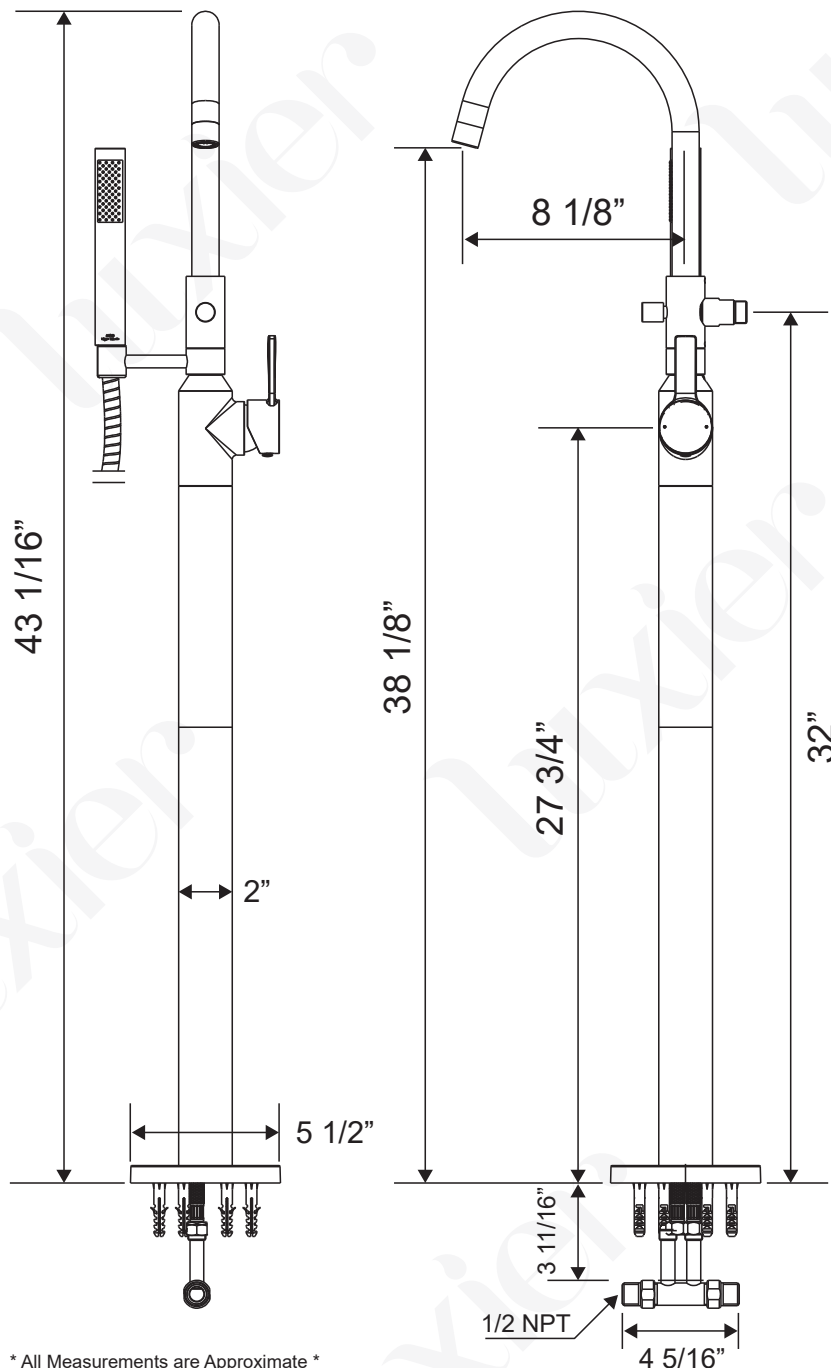




# Freestanding Floor Mount Bathtub Filler

Model Number:  
FTF01-TB  
FTF01-TC

- Features:
- Brass and Zinc Alloy Construction
  - Single Hole Installation
  - Drip Free 40 mm Ceramic Cartridge
  - Hand shower flow rate 1.8 gpm at 80 psi
  - Tub spout flow rate 3.7 gpm at 20 psi
  - Rough-in kit included
- Complies with:  
IAPMO / UPC / cUPC  
ADA



\* All Measurements are Approximate \*

