

Specifications

FEATURES

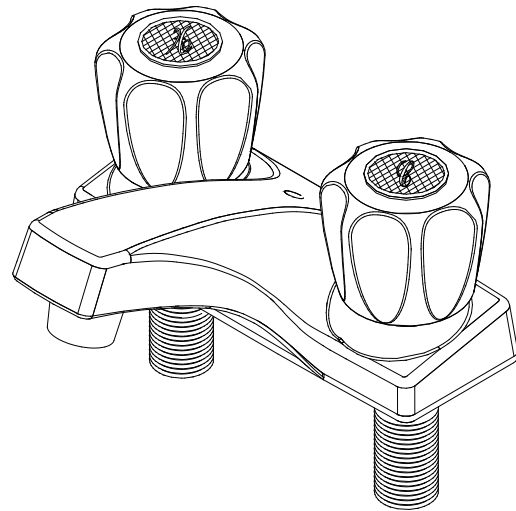
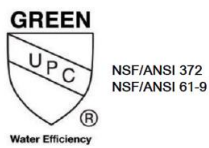
- Requires 2-Hole installation
- 1/2-14 NPSM Connections
- 1.2 gpm (4.5L/min) maximum flow rate
- Washless valves prevent water dripping
- Spout Reach: 3 13/16"
- Spout Height: 2 13/16"
- Plastic waterway integrally formed with a patent
- Plastic waterway NSF low lead compliant

4 in. Centerset 2-Handle Bathroom Faucet

MODEL	STORE SKU#	FINISH
HS4121110CPa	186-773	Chrome

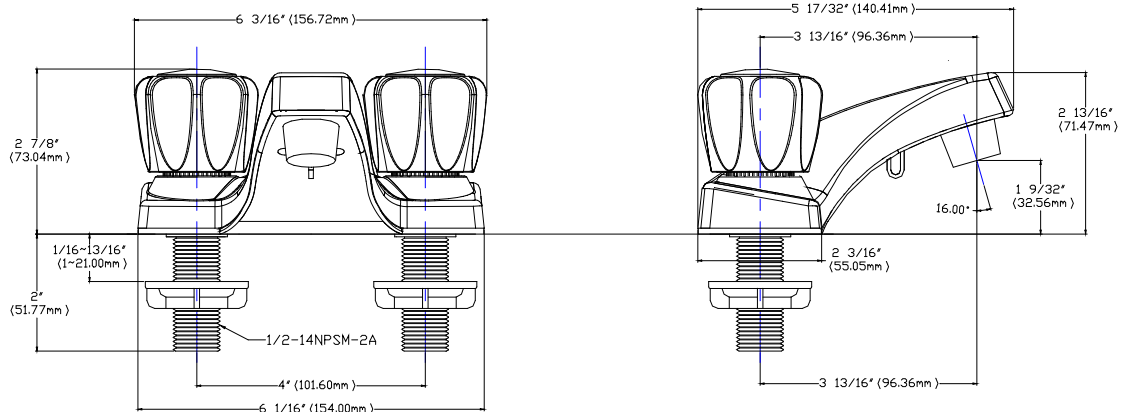
CODE/STANDARD COMPLIANCE

- IAPMO certified ASME A112.18.1/CSA B125.1
- IAPMO certified, Compliant to NSF/ANSI 61-9
- IAPMO certified, Compliant to NSF/ANSI 372
- Cal Green Certified
- Meets AB 1953 Lead Standard
- EPA WaterSense certified
- US Dept. of Energy



WARRANTY

- One-Year Warranty



INSTALLATION DIMENSIONS