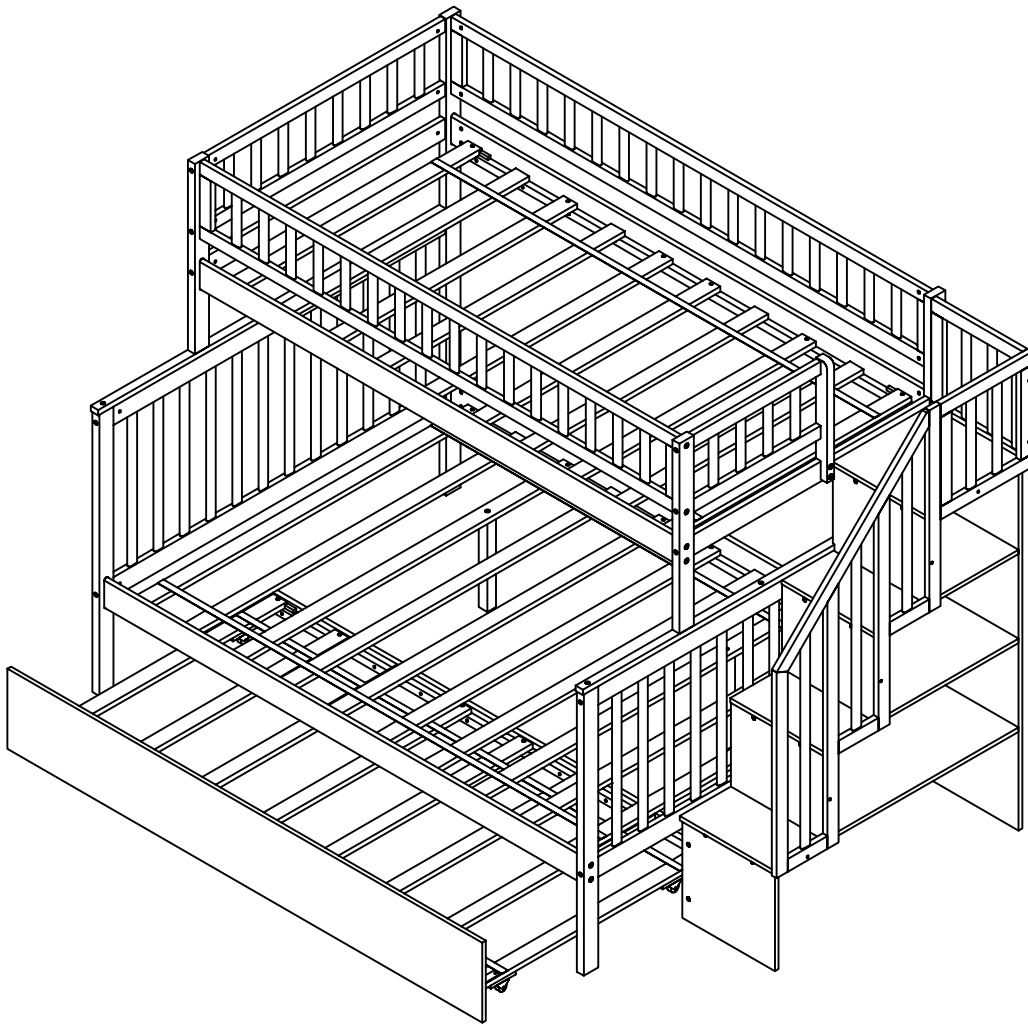


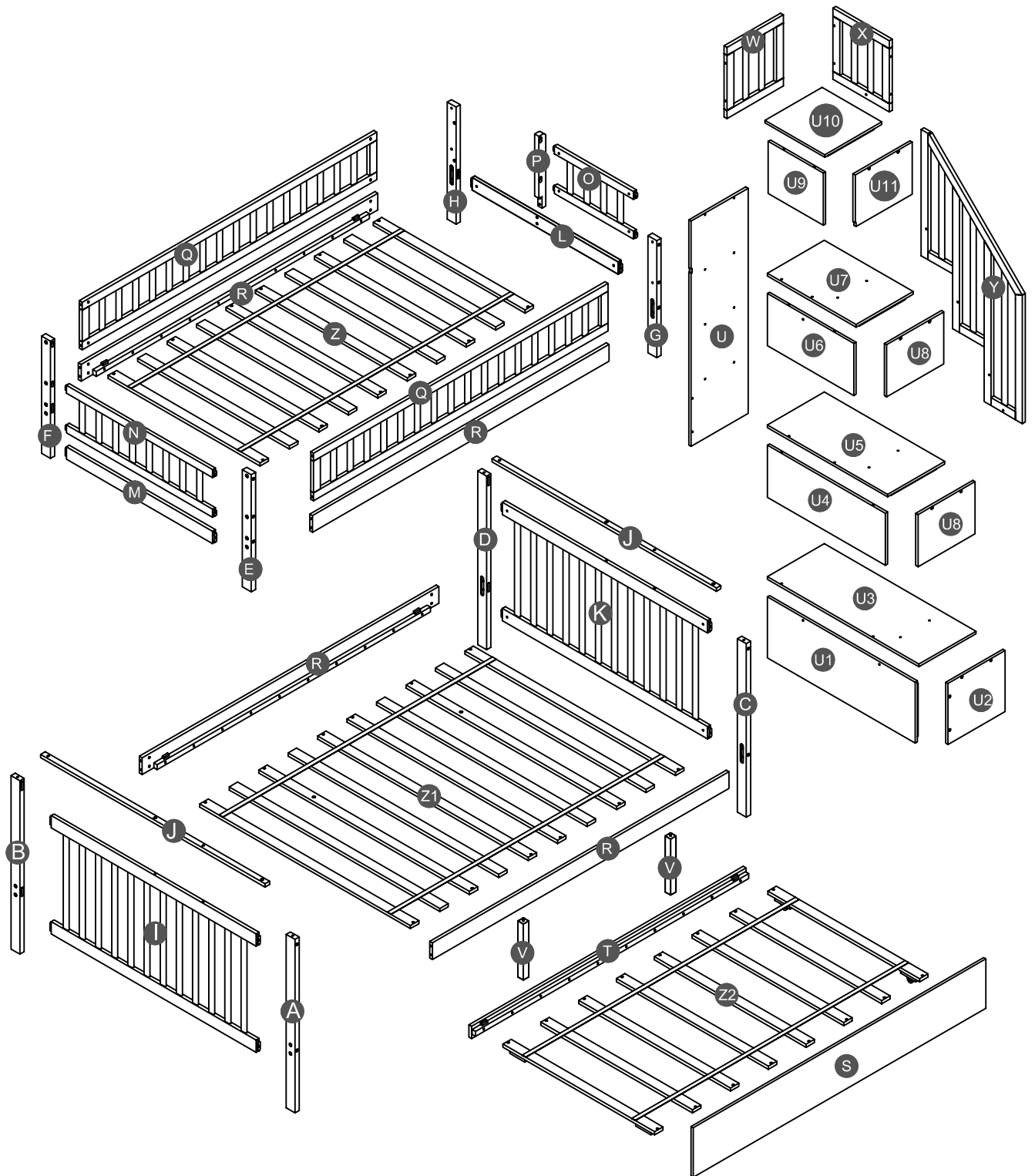
ASSEMBLY INSTRUCTIONS

BUNK BED



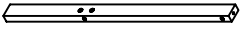
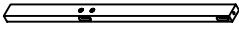
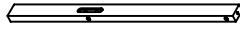
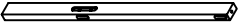





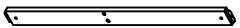
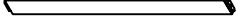
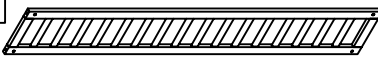



WF190834/190835/190836

Detail View


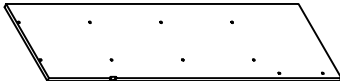
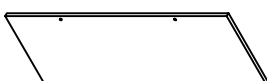
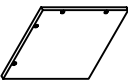


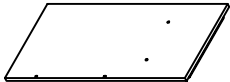
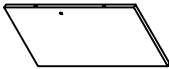


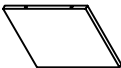
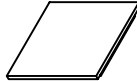



Part List

WF190834

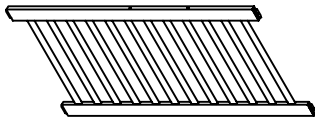
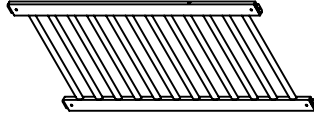
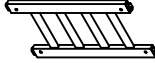
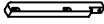
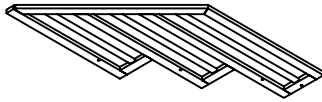
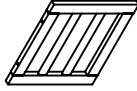
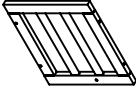
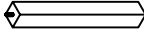
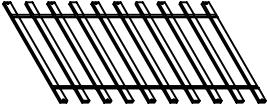
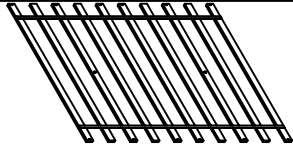
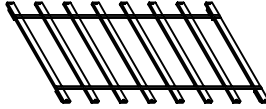
A		B		C	
Lower leg(Left front) - 1pc		Lower leg (Right back)- 1pc		Lower leg(Right front) - 1pc	
D		E		F	
Lower leg (Left back)- 1pc		Upper leg(Left front) - 1pc		Upper leg(Right back) - 1pc	
G		H		J	
Upper leg (Right front)- 1pc		Upper leg (Left back)- 1pc		Cap for lower HB&FB-2pcs	
L		M		Q	
Horizontal upper bar FB-1pc		Horizontal upper bar HB-1pc		Upper front & back side rail-2pcs	
R		S		T	
Lower&upper side rail - 4pcs		Drawer front panel - 1pc		Drawer back panel - 1pc	

WF190835

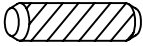
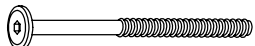
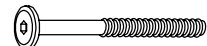
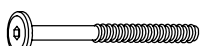




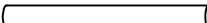



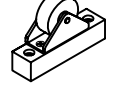
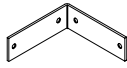

N		U		U1	
Upper HB - 1pc		Back panel - 1pc		Lower left side panel - 1pc	
U2		U3		U4	
Lower front panel - 1pc		Lower step ladder panel -1pc		Lower left side panel - 1pc	
U5		U6		U7	
Lower step ladder panel -1pc		Lower left side panel - 1pc		Lower step ladder panel -1pc	
U8		U9		U10	
Lower front panel - 2pcs		Upper left side panel - 1pc		Upper step ladder panel -1pc	
U11					
Upper leg - 1pc					

Part List

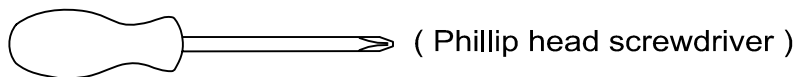
WF190836

I 	K 	O 
Lower HB - 1pc	Lower FB - 1pc	Upper FB - 1pc
P 	Y 	W 
Support guard rail - 1pc	Upper right side - 1pc	Upper back - 1pc
X 	V 	Z 
Upper right side - 1pc	Lower slat suport- 2pcs	Upper Slat - 1set(10pcs)
Z1 	Z2 	
Lower Slat - 1set(10pcs)	Drawer slat - 1set (8pcs)	

Hardware List

1  Ø8*30mm Wood dowel (12pcs)	2  (Ø15)1/4"*100mm Hex-Head bolts (18pcs)	3  (Ø15)1/4"*80mm Hex-Head bolts (24pcs)
4  (Ø12)1/4"*70mm Hex-Head bolts (2pcs)	5  (Ø12)1/4"*60mm Hex-Head bolts (17pcs)	6  (Ø12)1/4"*35mm Hex-Head bolts (2pcs)
7  (Ø12)1/4"*30mm Hex-Head bolts (23pcs)	8  1/4"*15 (9.5mm) Horizontal-Hole bolts (59pcs)	9  Ø9*90mm Connecting bar (4pcs)
10  (Ø12)1/4"*40mm Hex-Head bolts (4pcs)	11  (1/4")4.5*58mm Allen key (1pc)	12  Ø4*30mm Wood screws (48pcs)
13  45*20*35mm 100*30*19 (Wood) Wheels (4pcs)	14  120*120*25*2mm Metal bracket (2pcs)	15  Ø3*12mm Wood screws (8pcs)

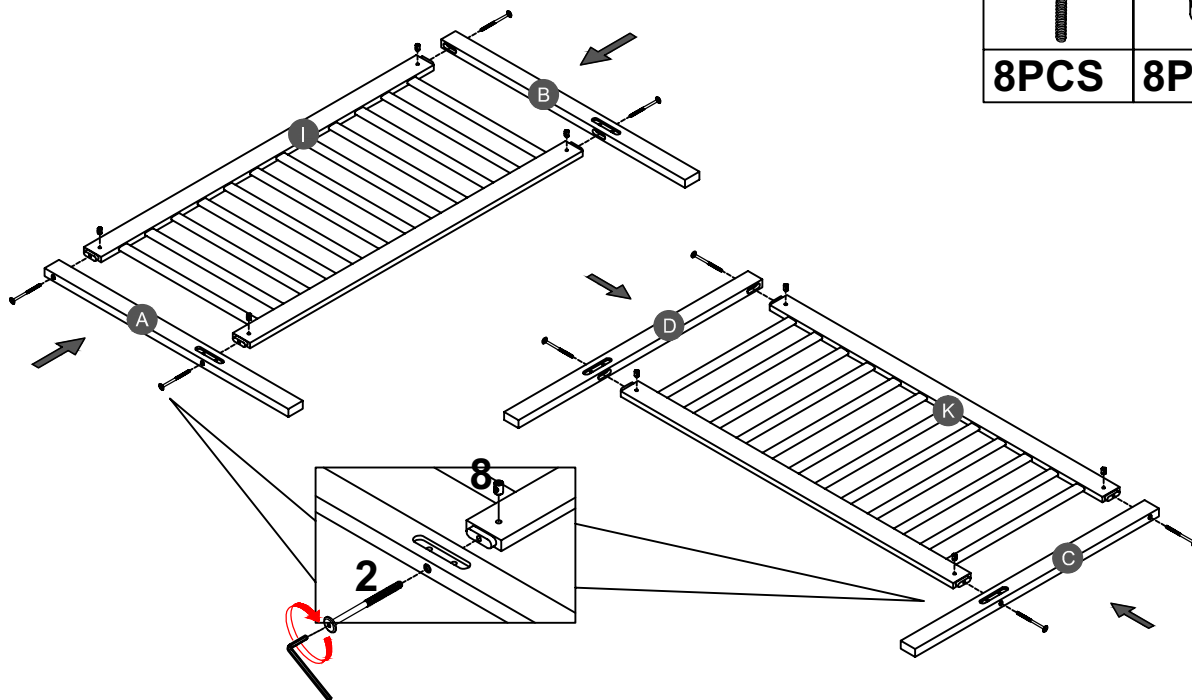
ASSEMBLY TOOLS REQUIRED (NOT INCLUDED)



DO NOT USE POWER TOOLS TO ASSEMBLE THIS PRODUCT !

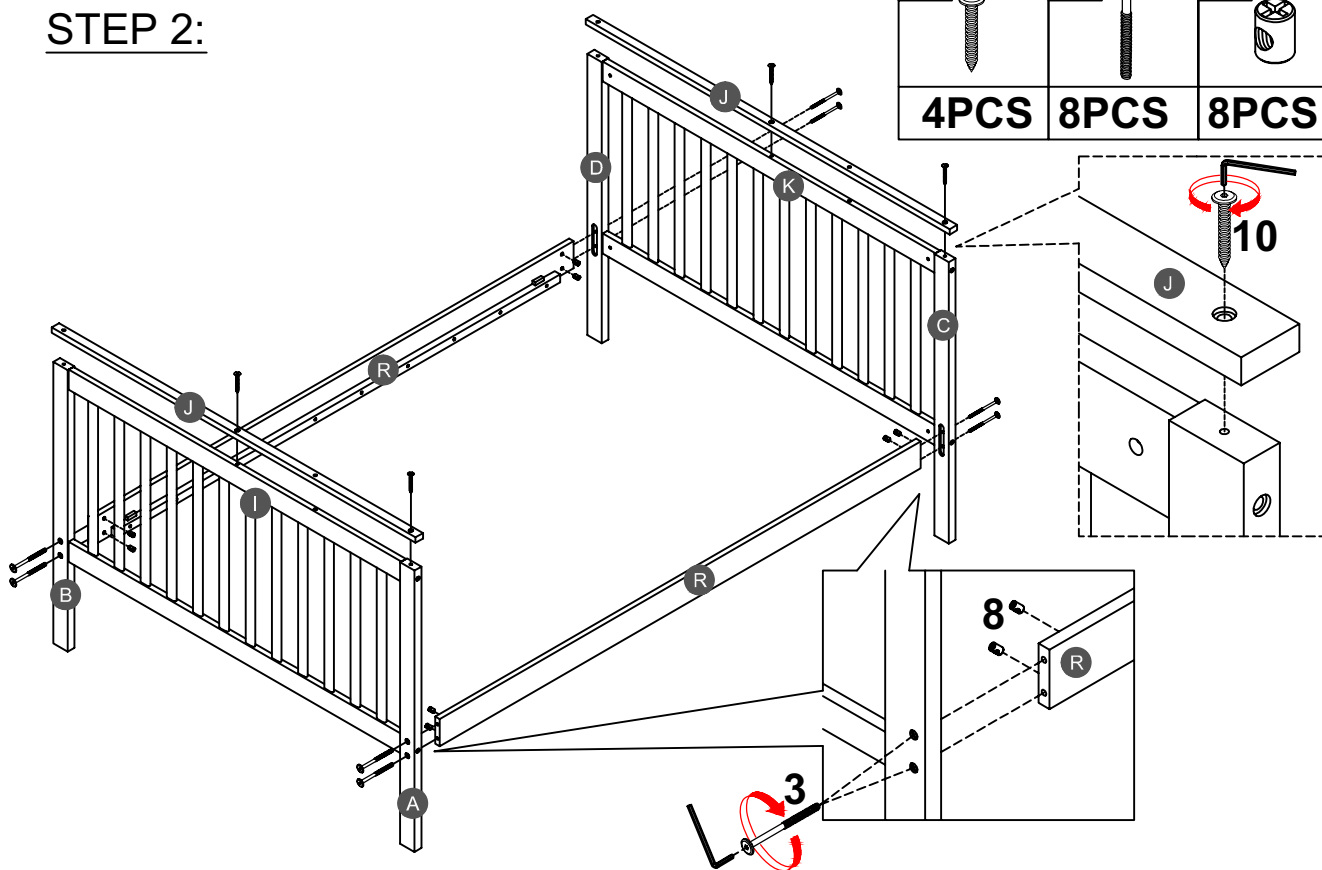
Remark: We recommend you assemble your bed in the flat ground.

STEP 1:







2		8	
8PCS		8PCS	

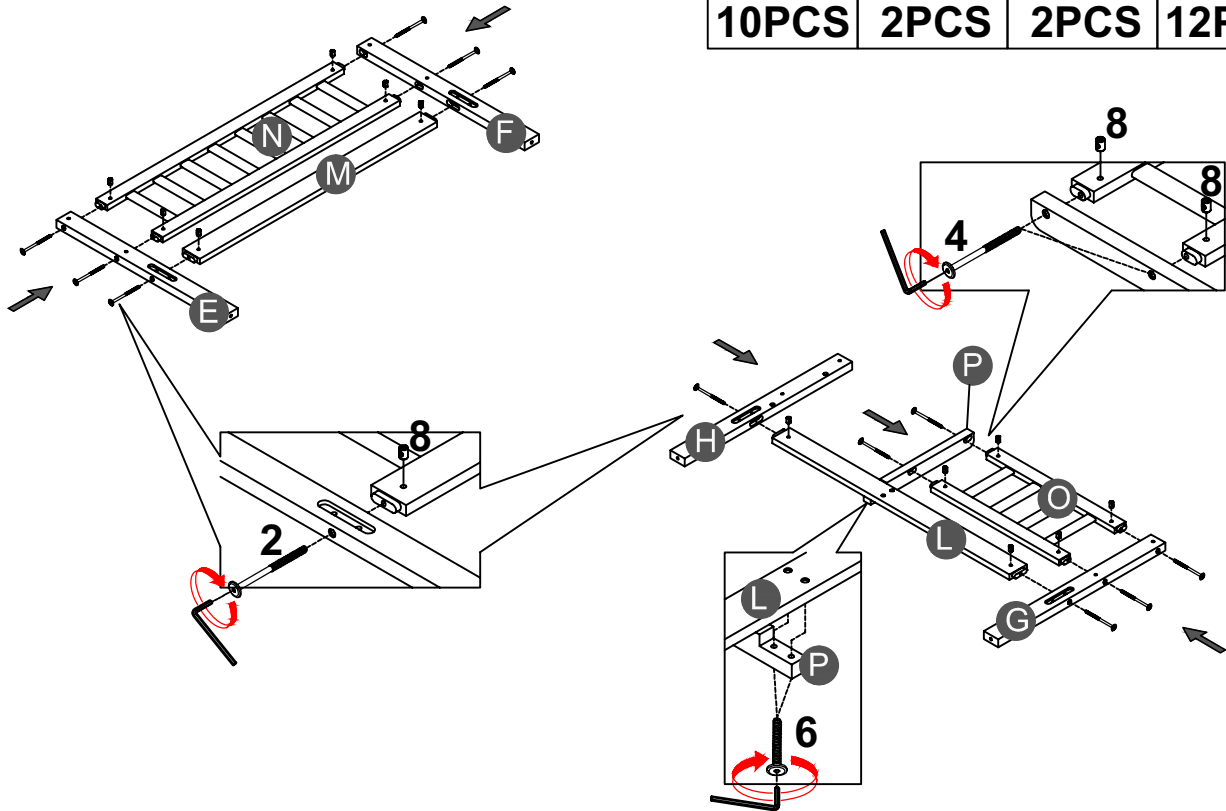
STEP 2:



10		3		8	
4PCS		8PCS		8PCS	



STEP 3:

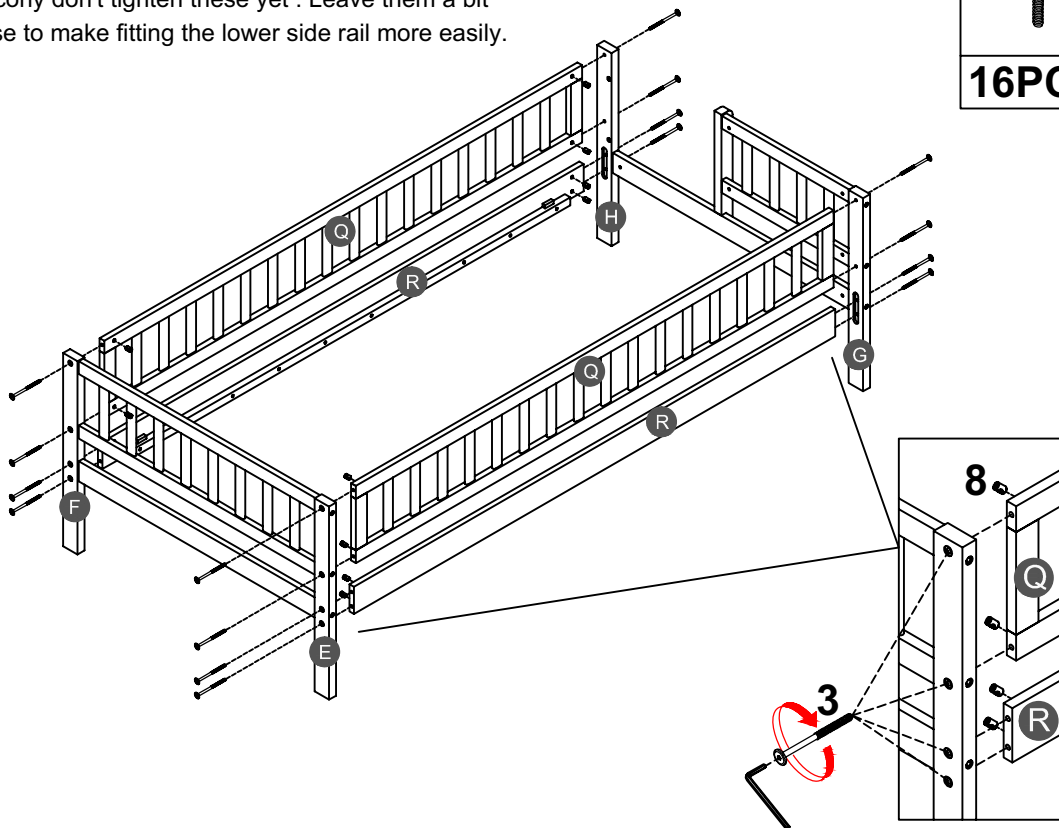
2		4		6		8	
10PCS		2PCS		2PCS		12PCS	



STEP 4:

Balcony don't tighten these yet . Leave them a bit loose to make fitting the lower side rail more easily.

3		8	
16PCS		16PCS	

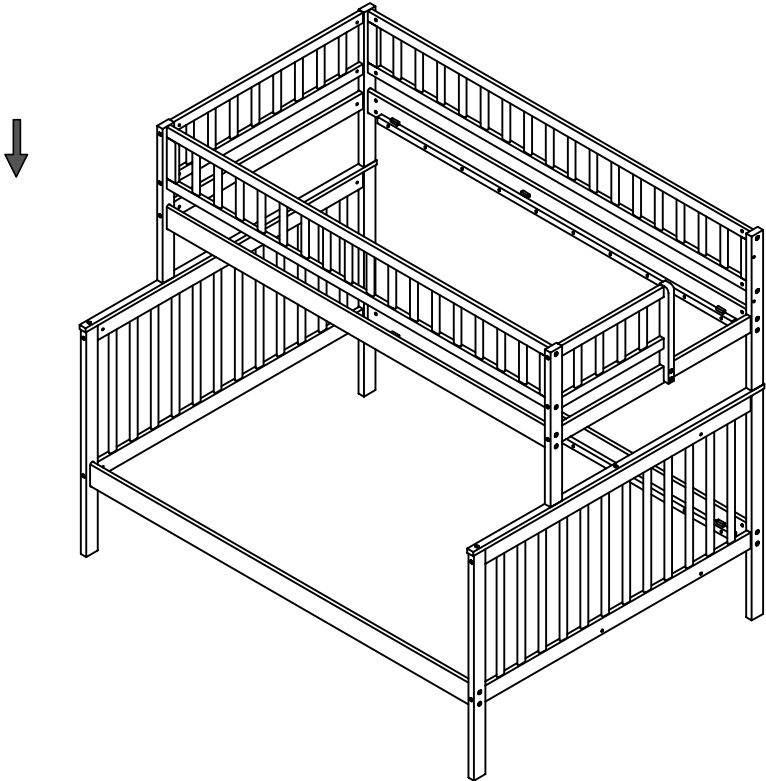
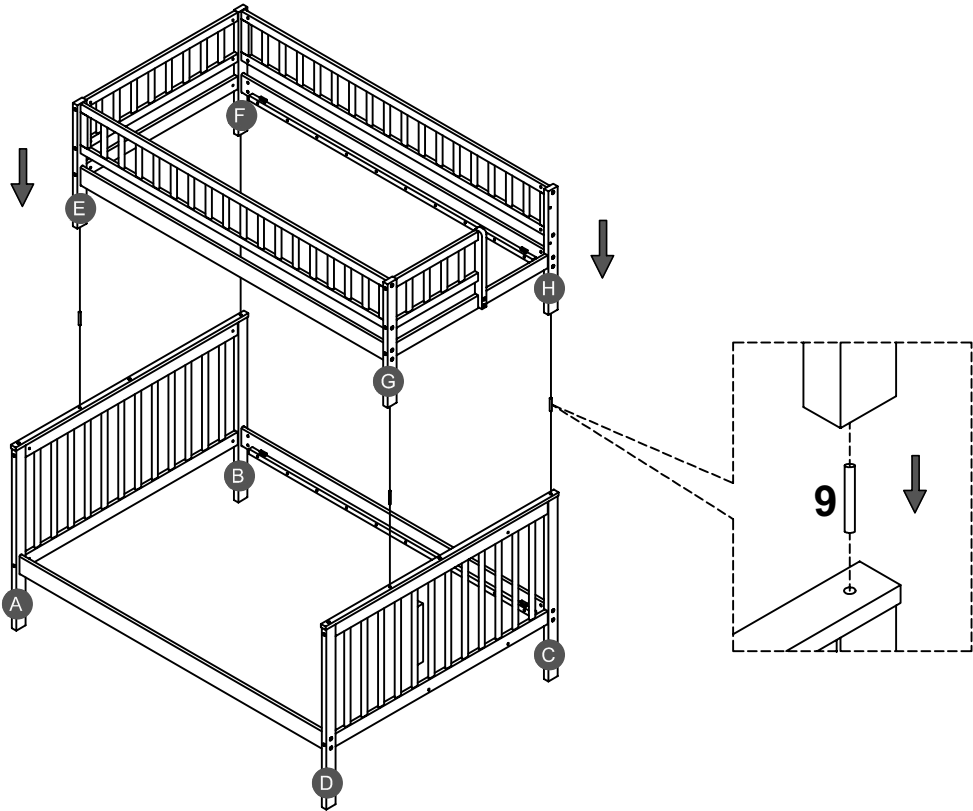


STEP 5:





9

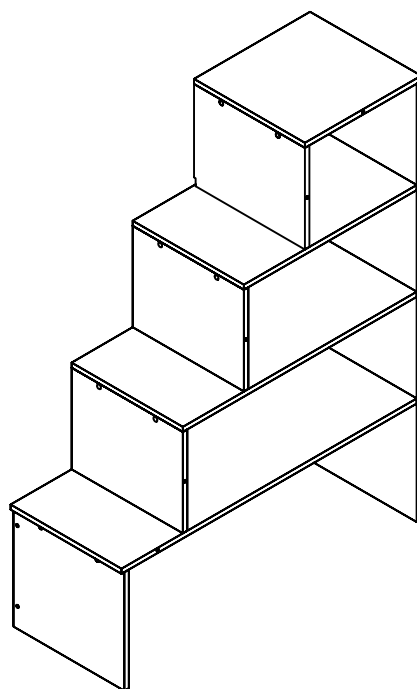
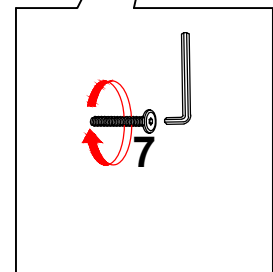
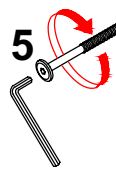
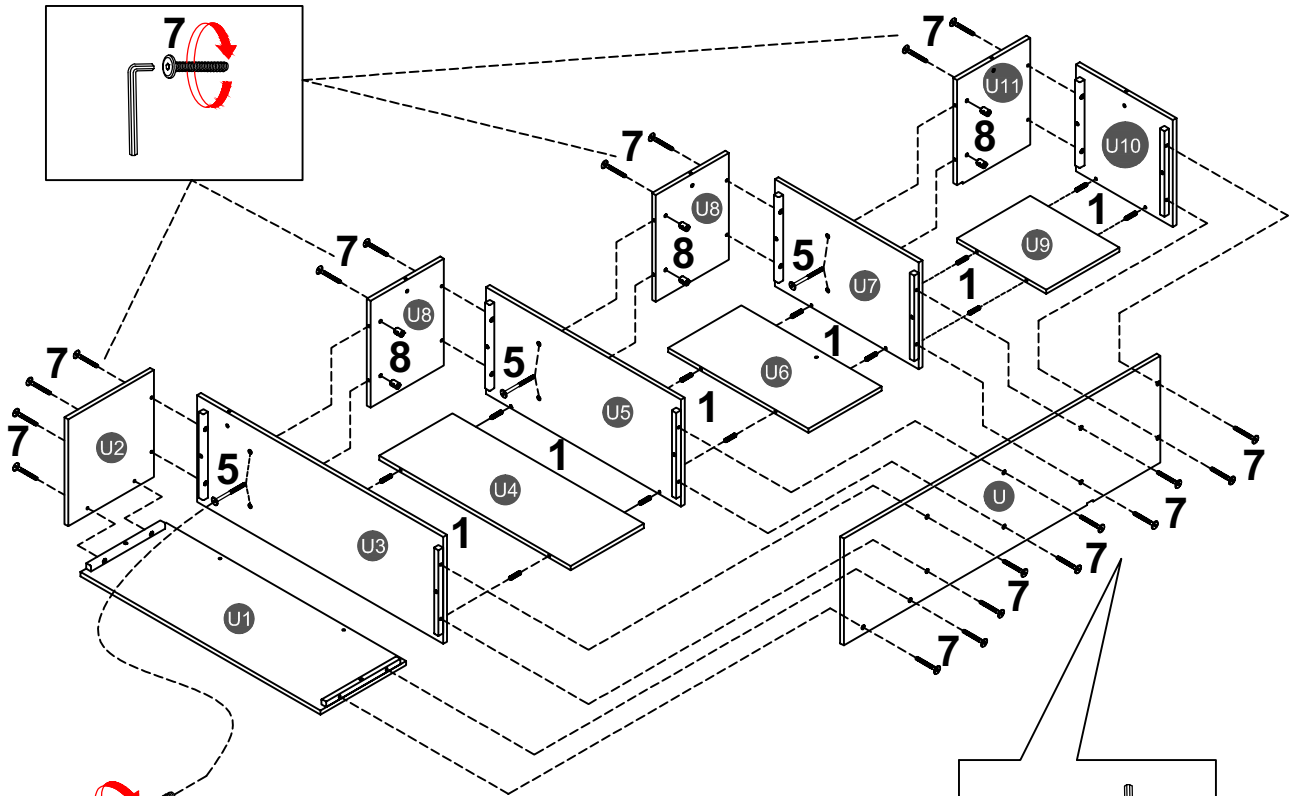


4PCS






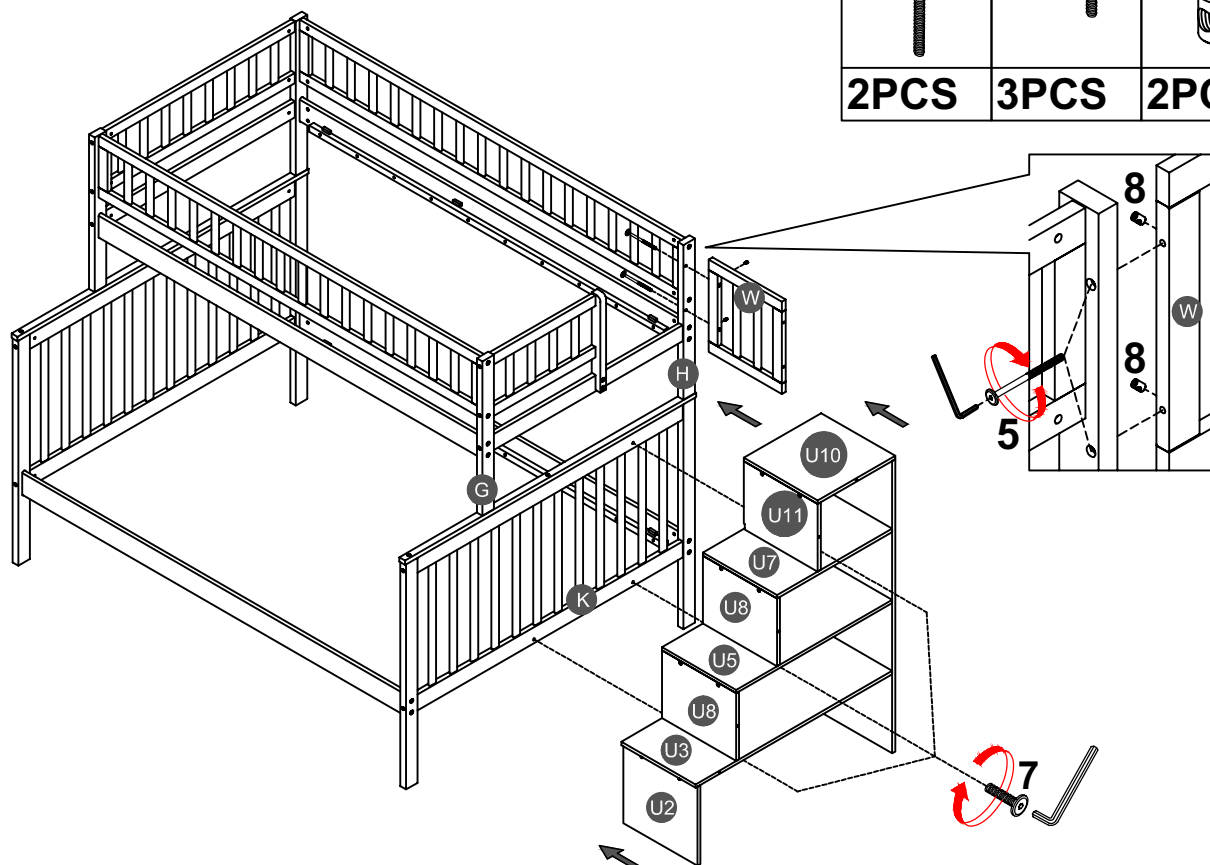
STEP 6:

1		5		7		8	
12PCS		6PCS		20PCS		6PCS	





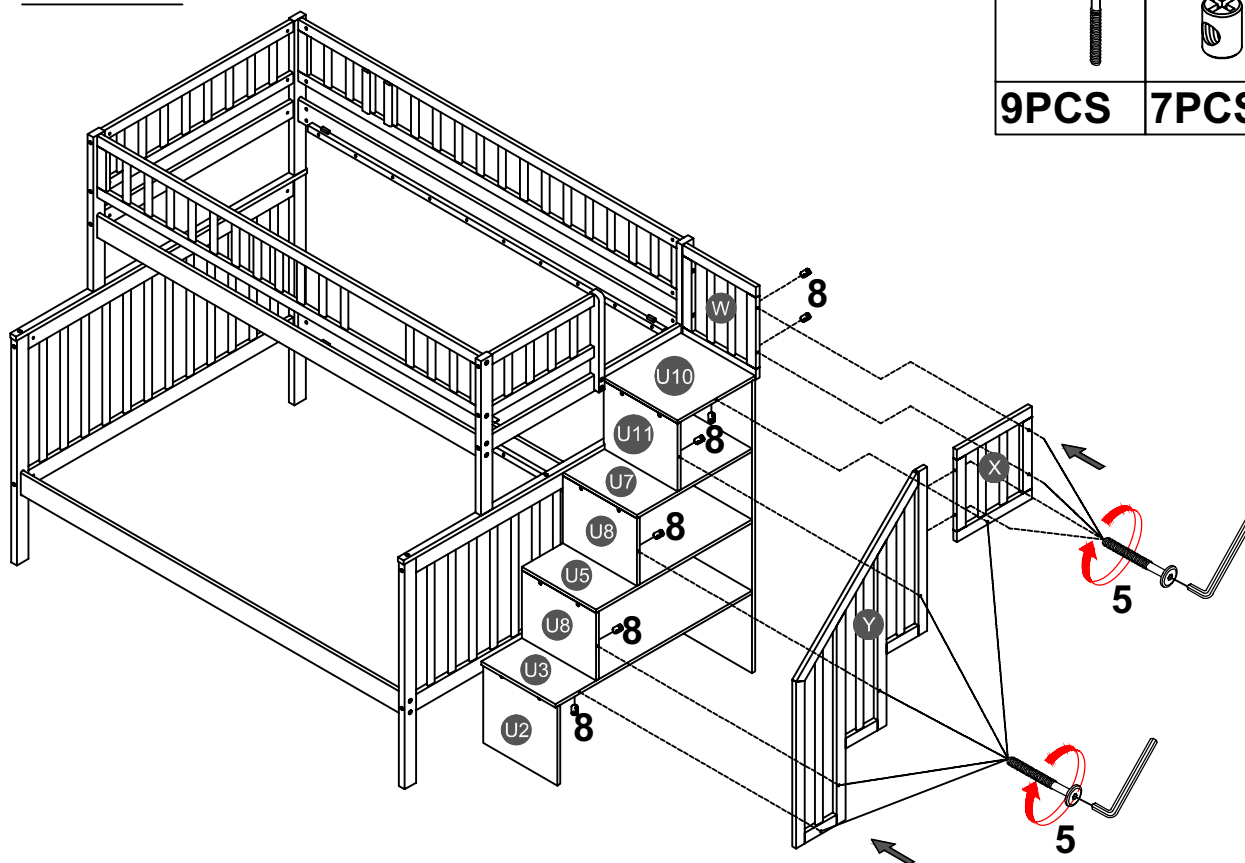
STEP 7:

5		7		8	
2PCS		3PCS		2PCS	

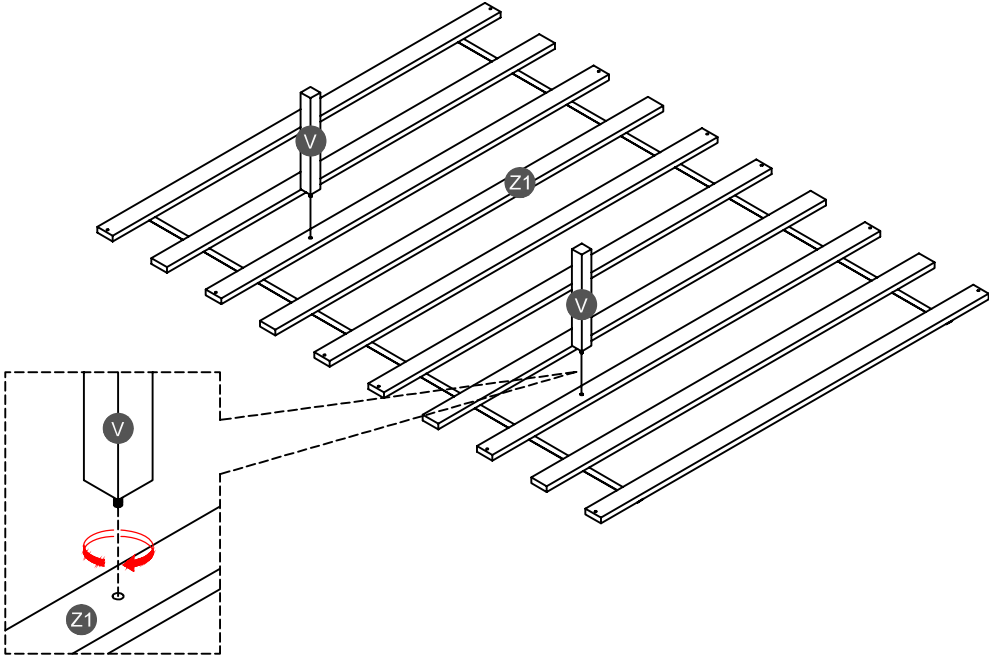


STEP 8:

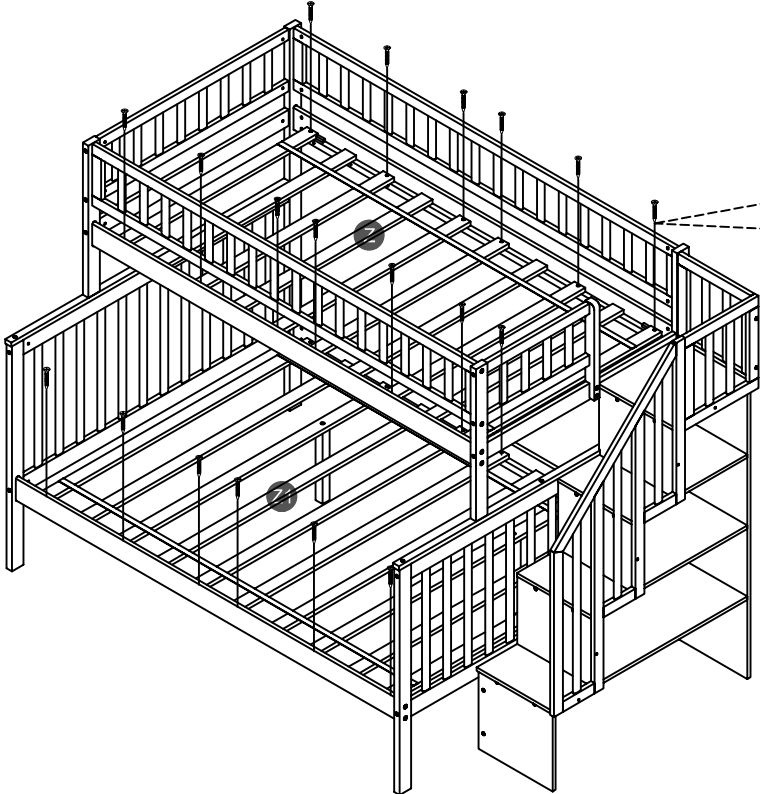
5		8	
9PCS		7PCS	




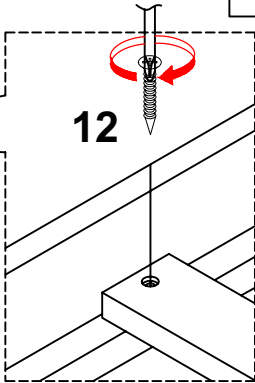
STEP 9:





STEP 10:

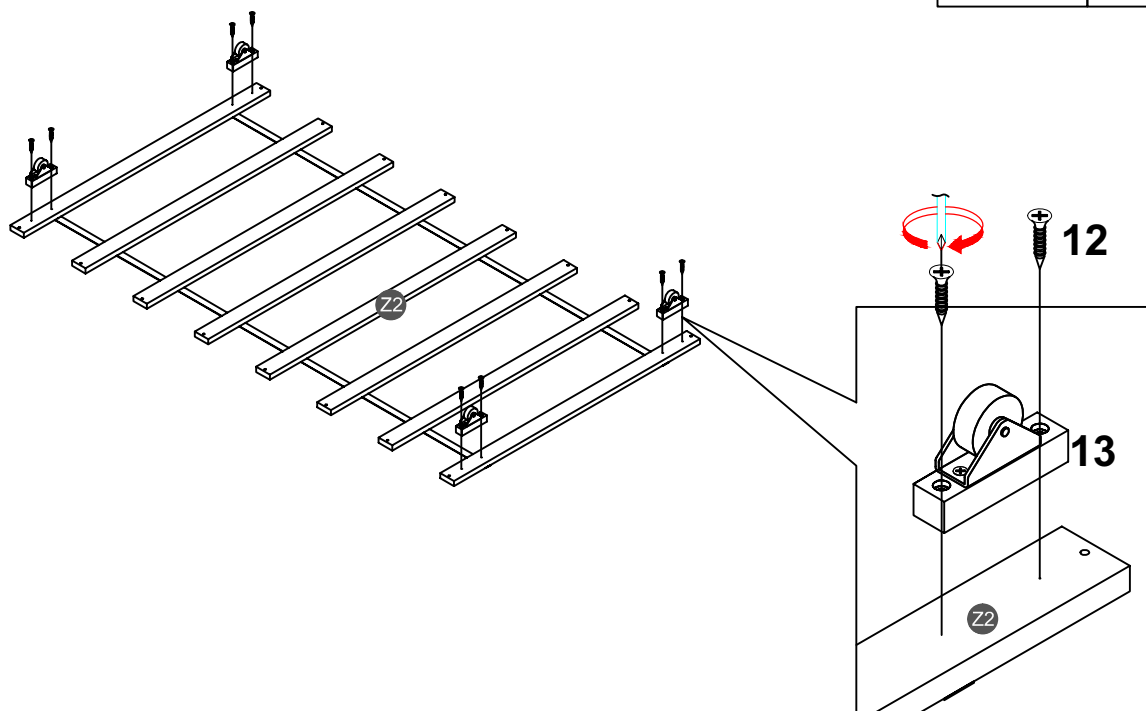


12

24PCS




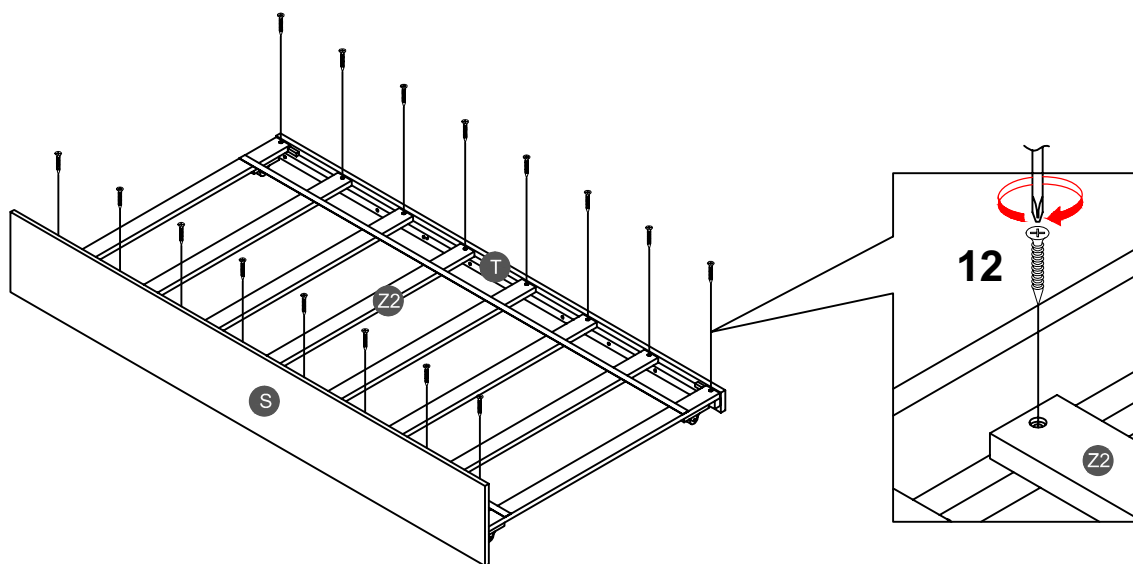
STEP 11:

13 	12 
4PCS	8PCS

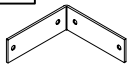



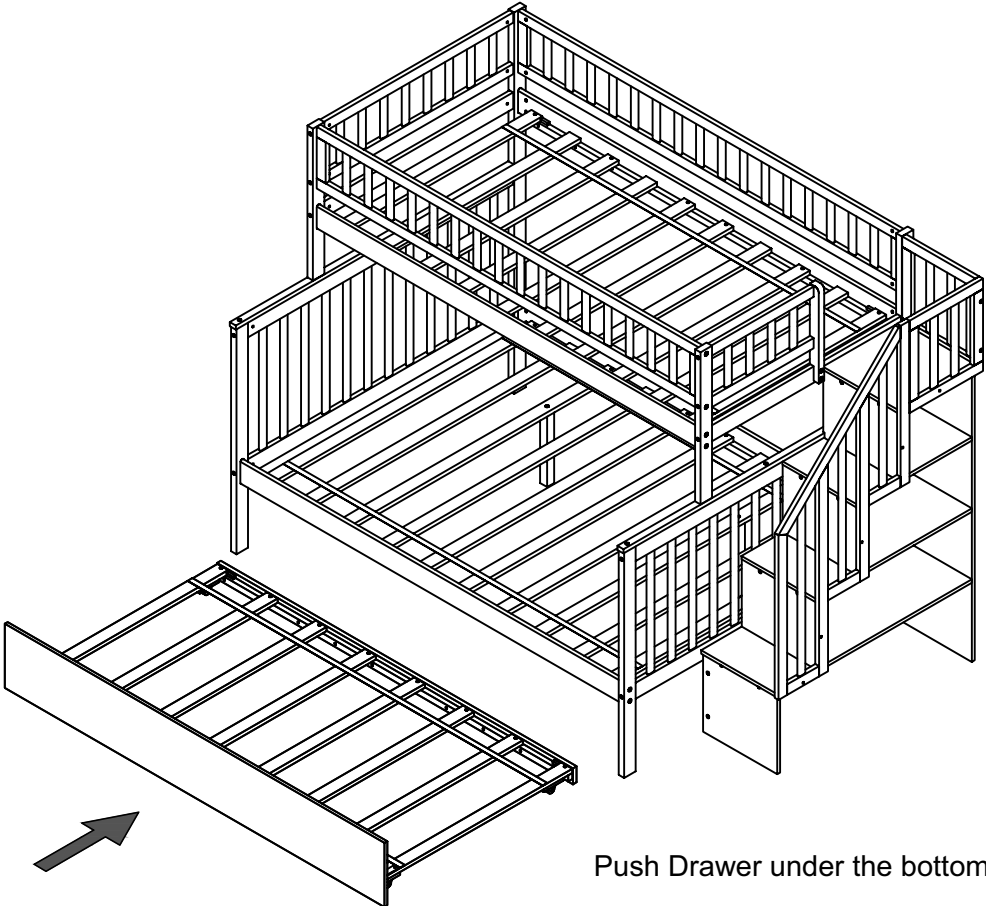
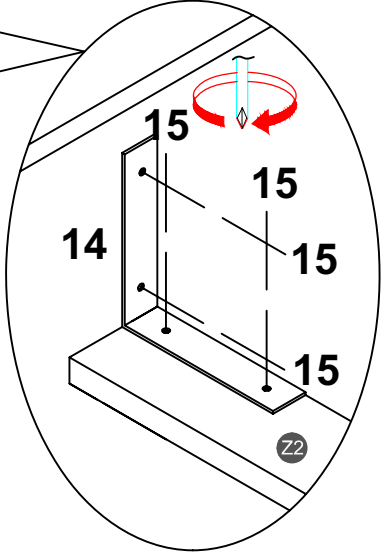
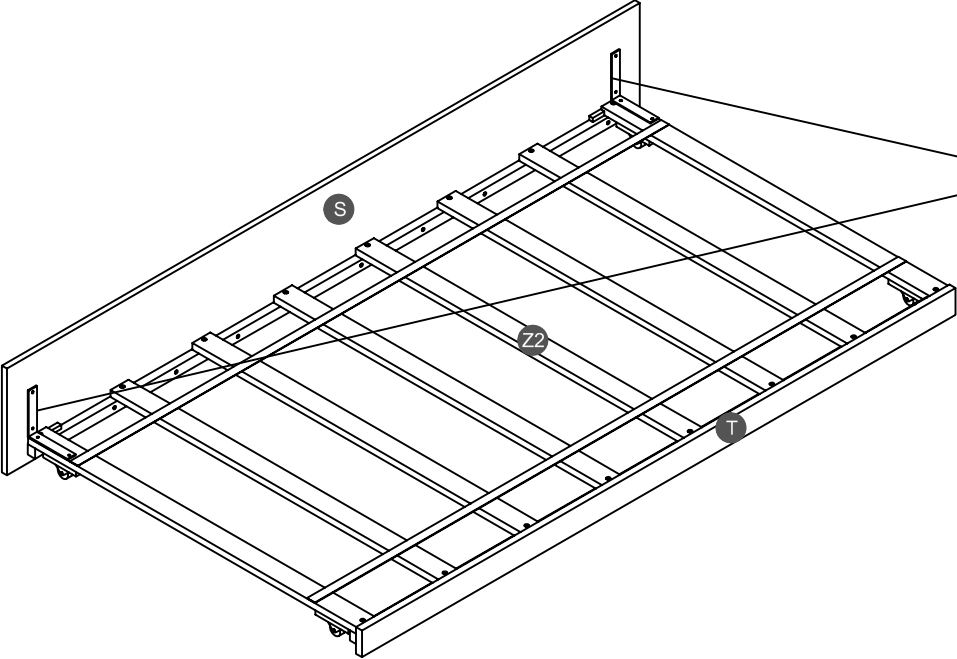
STEP 12:

12 
16PCS



STEP 13:

14 	15 
2PCS	8PCS



Push Drawer under the bottom of Bunkbed.