

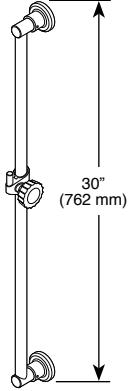
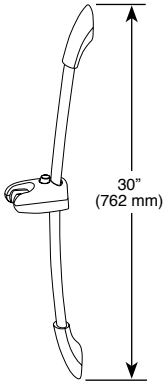
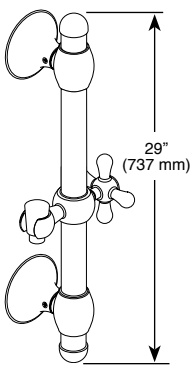
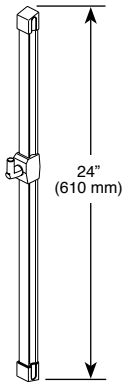
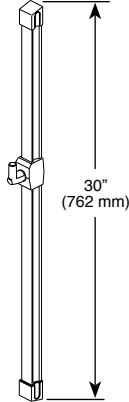
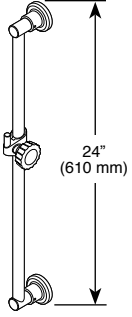
Submitted Model No.: \_\_\_\_\_

Specific Features: \_\_\_\_\_



# WALL BARS

## ■ Decorative Wall Bars

<p><b>55030</b></p>  <p>30" (762 mm)</p>	<p><b>55041-▲-PK</b></p>  <p>30" (762 mm)</p>	<p><b>55083▲</b></p>  <p>29" (737 mm)</p>	<p><b>55511-PK</b></p>  <p>24" (610 mm)</p>
<p><b>55531</b></p>  <p>30" (762 mm)</p>	<p><b>55024</b></p>  <p>24" (610 mm)</p>		

### STANDARD SPECIFICATIONS:

- Concealed single screw mounting.
- Clear acrylic adjusting knob with metal threads.
- Pin mount system:55030,55511,55531,55024.
- Glide Rail:55511,55531.
- Brass construction:55083,55024.

### WARRANTY

- Lifetime Faucet and Finish Limited Warranty to the original consumer purchaser to be free from defects in material and workmanship.
- 5 Year Limited Warranty for usage in all industrial, commercial and business applications.

▲ Designate proper finish suffix



55 E. 111th Street, Indianapolis, Indiana 46280  
 350 South Edgeware Road, St. Thomas, ON N5P 4L1  
 © 2012 Masco Corporation of Indiana

Delta reserves the right (1) to make changes in specifications and materials, and (2) to change or discontinue models, both without notice or obligation. Dimensions are for reference only. See current full-line price book or www.specselect.com for finish options and product availability.

DSP-B-55030 Rev. A