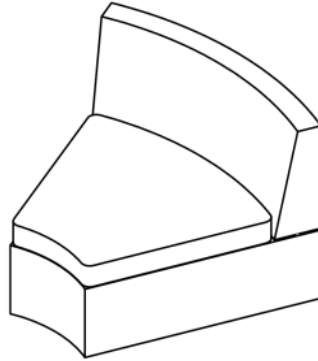


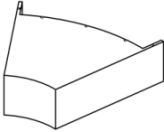

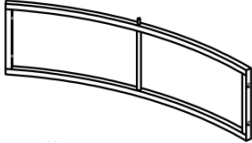
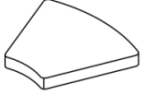
Assembly Instructions

Caution: You must read this before you proceed




Corner Sofa



Parts List

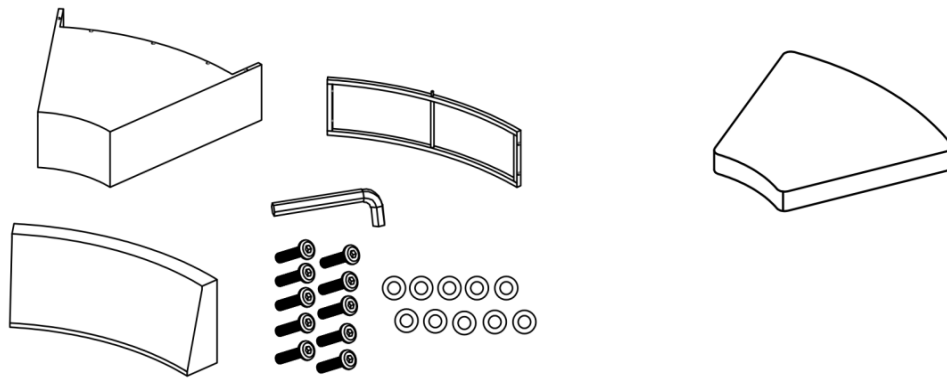
Label	Picture	Description	QTY
A		Seat Board	1
B		Backrest	1
C		Seat Back Board	1
D		Cushion	1

Hardware

Label	Picture	Description	QTY
①		Allen Key	1
②		Bolt (M6*35mm)	10
③		Washer	10

Assembly Preparation

Before Beginning Assembly:



- Read instructions, cover to cover-



- Have 2 adults on hand for assembly-



- Do not assemble on flooring or carpet-



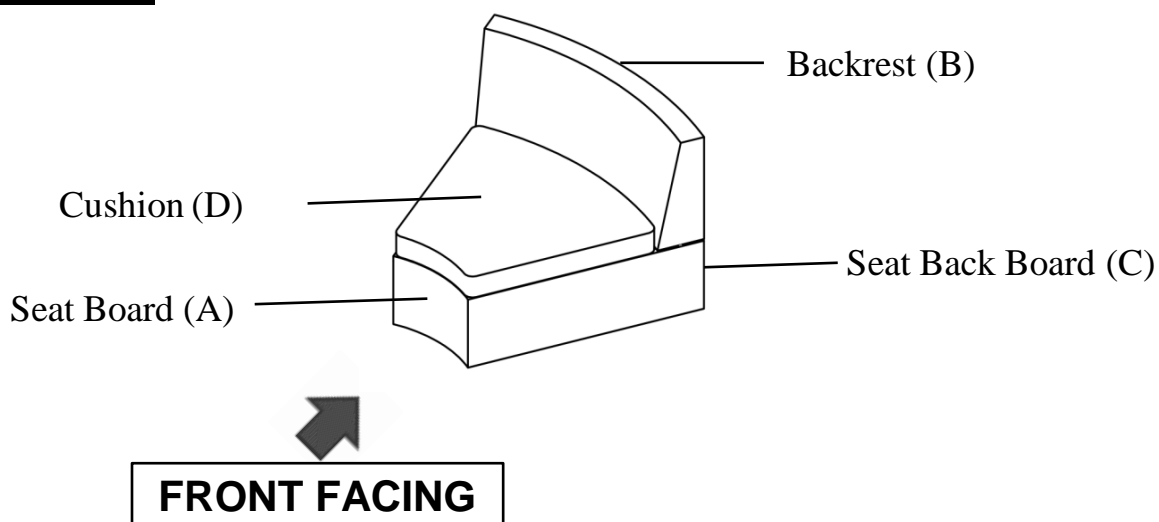
- Assemble on a clean non-marring surface (packing foam)-



- Save all packaging until finished-

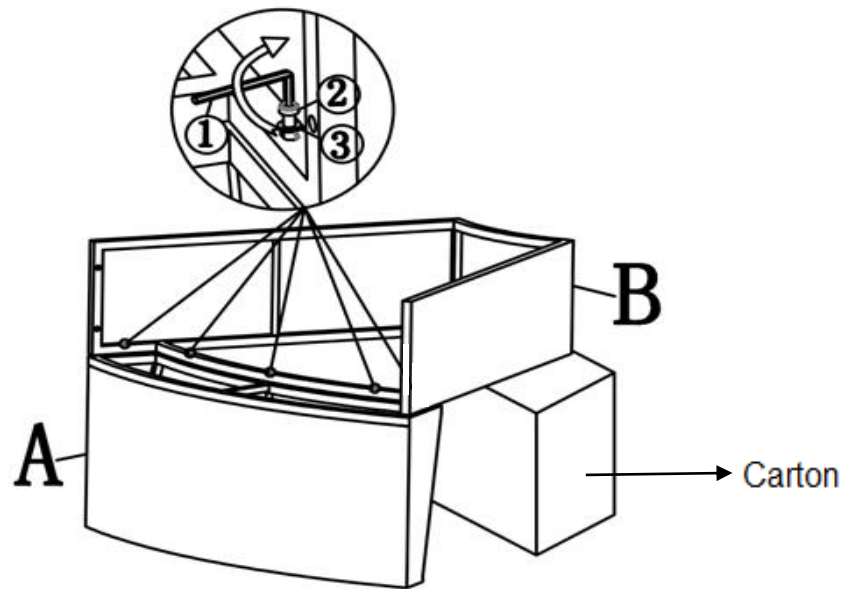
Assembly Steps

OVERVIEW



This Corner has multiple parts and may require up to 30 minutes to assemble. To give you an overview of the Corner parts, the above picture is to help you put the various parts into perspective. Please read through the instructions below to familiarise yourself with the parts and steps before assembly.

Step 1



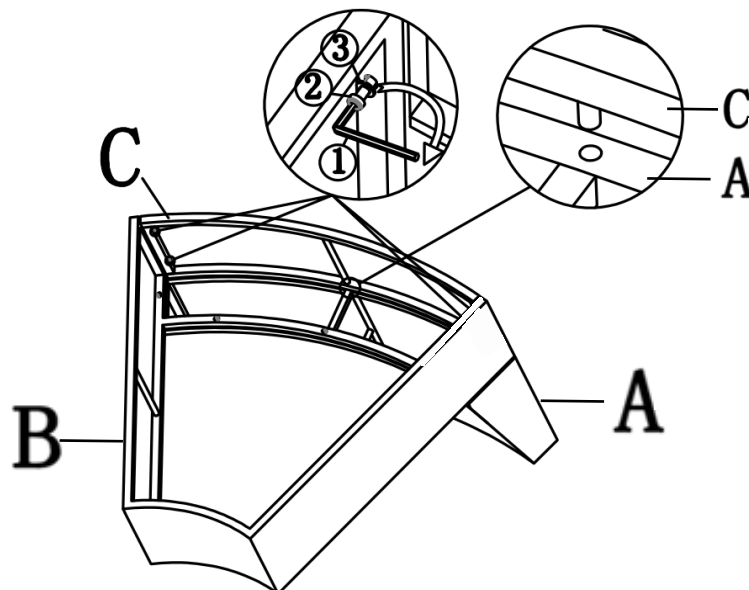
Open the carton and place all the parts onto a clean, non-marring surface. Place the Seat Board(A) with its inside facing up. In order to assemble easily, you can put the Seat Board on a carton or another hard surface.

Attach Seat Board(A) to Backrest(B) using Bolts(②) and Washers(③) with Allen Key(①) as shown in the picture above.

Do not fully tighten the Bolts.

ATTENTION: Occasionally some of the PE Wicker shifts and covers the mounting positions preventing easy assembly. The PE wicker should never be cut, but moved away from the mounting positions.

Step 2

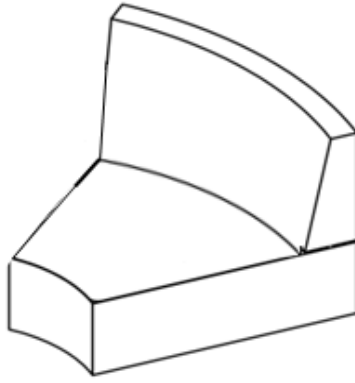


Align the iron dowel of Seat Back Board(C) to mounting position of Seat Board(A).

Attach the Seat Back Board(C) to Backrest(B) and Seat Board(A) using Bolts(②) and Washers(③) with Allen Key(①) as shown above.

Do not fully tighten the Bolts.

Step 3



Stand the Corner up.

Place the Corner on a LEVEL SURFACE.

Inspect it and make sure all parts are adequately connected.

Gently and carefully, sit onto to the Corner.

This will help to align all parts at all the joints.

Then get off the Corner, and in a sequential manner, proceed to tighten all Bolts.

When tightening the Bolts, tighten sequentially.

DO NOT tighten any Bolt fully and then move on to the next one.

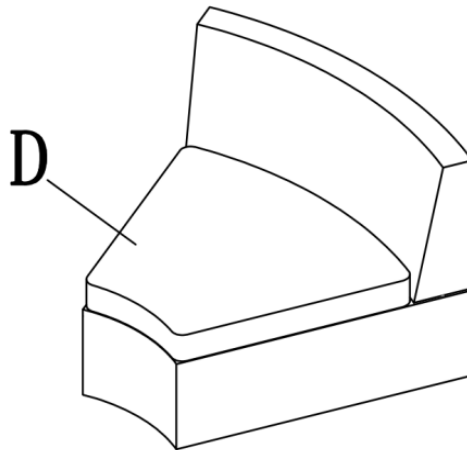
This may cause the frame to warp.

If there are still wobbles, loosen the Bolts and execute the same process.

If the Corner is not stable it could lead to damage to the product.

Note: This step is done best with the assistance of a second adult.

Step 4























Place the Seat Cushion(D) on the Corner.

Your Corner is ready for use.

This Corner can only be used on a flat, level surface.

Care & Maintenance

-   • Do not put hot items directly on furniture surface
 -   • Do not clean furniture with harsh cleansers or polish.
 -   • To obtain the longest lifespan of your outdoor products, minimizing exposure to direct sunlight is recommended.
 -   • Children should not climb or jump on the furniture.
 -   • Do not write on furniture without a padded barrier to protect the surface.
 -   • To obtain the longest lifespan of your outdoor products, avoid extended and lengthy exposure to rain, snow, and direct sunshine. Whenever possible cover the product and /or place under patio or awnings.
 -   • Not for commercial use. For residential use only.
 -   • Stains may be removed with mild soap solution and damp cloth.
 -   • Keep away from sources of ignition.
-
-   • Dust and pick-up spills using a clean, non-colored, lint-free cloth .

What is Proposition 65?

Proposition 65 is a California law that requires warning labels on products that may contain one of more than 800-plus chemicals or ingredients that the California Office of Environmental Health Hazard Assessment (OEHHA) has deemed to cause cancer or other reproductive toxicity. Chemicals and elements on this list include wood dust, brass, and other everyday substances, which can be found in very common household items, such as: lamps, tableware, jewelry, crystal glasses, electric cords, beauty products, automobiles, and furniture.

Why Did I Find a Proposition 65 Warning on My Home Goods Product?

We include Proposition 65 warnings on all of our products because there is always a chance that one of the 800-plus common chemicals and ingredients listed under this law could potentially be on our furniture or packing materials. We risk large fines under this law, if we don't include this warning.

Should I worry?

We realize you may be worried finding this warning on our products, but we want to reassure you that the hazardous exposure limits for any of these chemicals have never been found on furniture products that we've shipped to our customers. Additionally, this warning label is very common and can be found on almost every piece of furniture sold in the state of California.

Just How Common Are Proposition 65 Warnings?

Proposition 65 warnings have become so common in California that it is hard to take a trip to a local bank, grocery store, or restaurant without finding at least one warning. In fact, even the Disney Land Resort has a Proposition 65 warning:

