

# TUB FILLER WITH DIVERTER, HANDSHOWER AND SHOWERHEAD

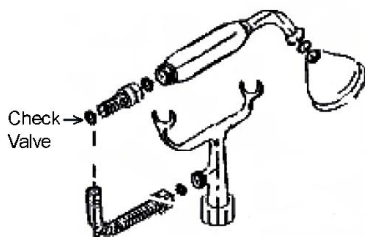
Cat. No.  
4064



Riser Height: 62"



6" Elbow Mounts

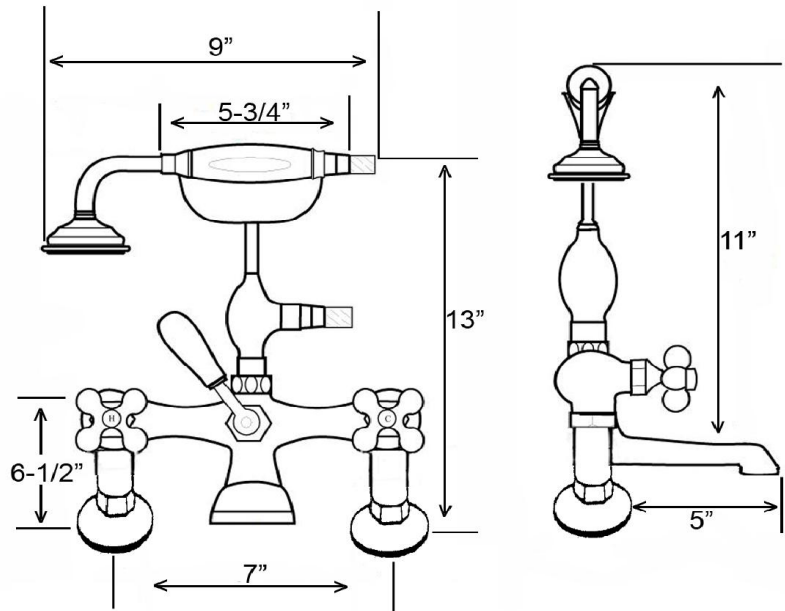


## Features:

- ▶ Elephant spout length is 5"
- ▶ Spout flow rate is 3.70 GPM
- ▶ Available with metal cross handles (**4064-MC**) or metal lever handles in 2 different styles (**4064-ML**, **4064-ML2**)
- ▶ Metal cross handles feature "H" and "C" for hot and cold
- ▶ Metal telephone handshower with cradle and 59" hose
- ▶ Handshower flow rate is 2.5 GPM
- ▶ Metal handshower includes backflow preventer
- ▶ Sunflower showerhead has flow rate of 2.44 GPM
- ▶ 6" Elbow mounts included
- ▶ 7" Centers for deck mounting on acrylic or cast iron tubs
- ▶ 1/4 Turn ceramic disc cartridges
- ▶ Includes wall support **4195WS**
- ▶ To be used with straight bath supplies, **Part #5577**

## Finishes:

<b>BP</b> Polished Brass	<b>PN</b> Polished Nickel
<b>CP</b> Polished Chrome	<b>SN</b> Brushed Nickel
<b>ORB</b> Oil Rubbed Bronze	



Dimensions are nominal and may vary. Dimensions and specifications subject to change without notice.