



QUICK SETUP GUIDE

NVR CONNECTIVITY GUIDE



www.NightOwlSP.com

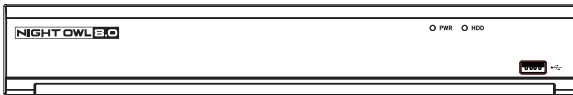


What's in the Box

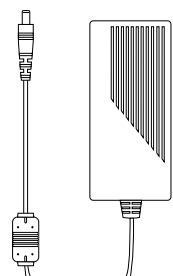
Package Contents

Disclaimer: The exact components of your system, images and quantities may vary depending on your model number. While these may vary, this QSG will address the setup and initial configuration of your NVR and cameras.

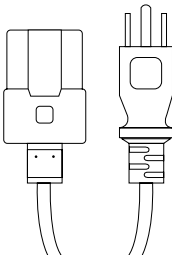
NVR / Accessories



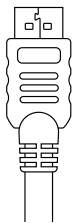
NVR



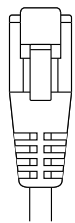
NVR Power Adapter (x1)




NVR Power Cord



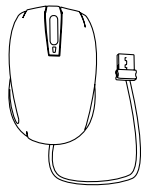
6 ft. HDMI (x1)




6 ft. Ethernet (x1)



Remote



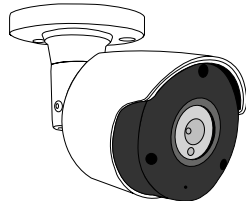
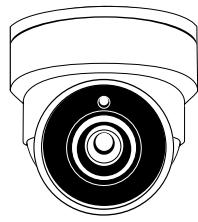
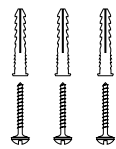

USB Mouse (x1)



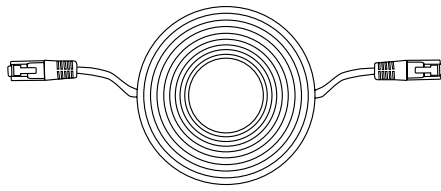
Safety Stickers

NOTE: Cameras can be powered by PoE cables or a camera power adapter. Camera power adapter not included.

Optional Accessories

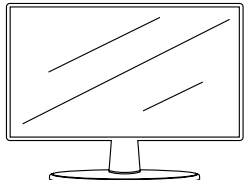
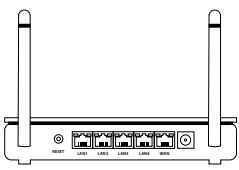
 <p>Camera(s)</p>	 <p>Dome(s)</p>
 <p>Mounting Hardware</p>	 <p>Waterproof Cable Cover(s)</p>

Optional Accessories

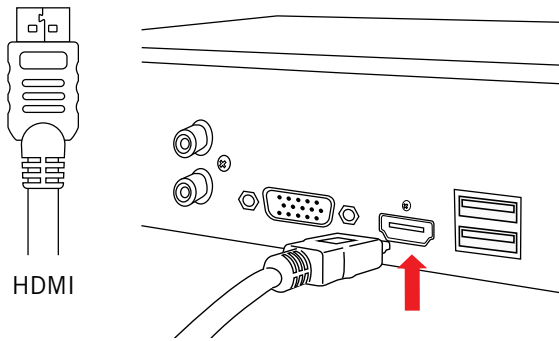


100 ft. PoE Cable(s)

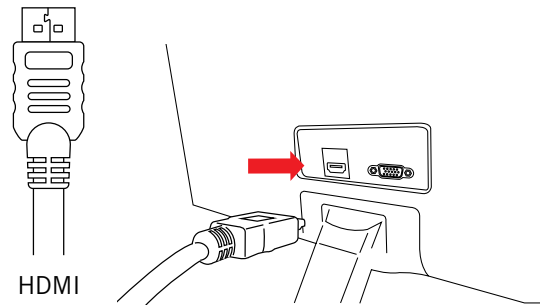
Items Not Included

 <p>Monitor</p>	 <p>Router</p>
---	---

Connecting Your System



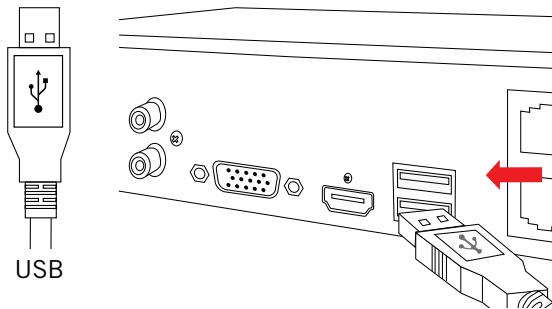
- 1 Plug one end of the included HDMI cable into the HDMI port on the back of the NVR.



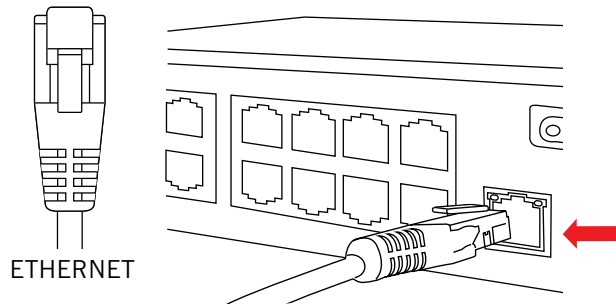
You may also connect using VGA (not included)

- 2 Plug the other end of the HDMI cable into the back of your TV or monitor.

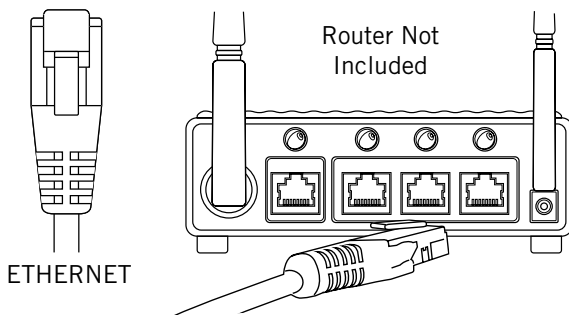
NOTE: To view cameras, TV/Monitor must be tuned to the same Input the HDMI is plugged into.



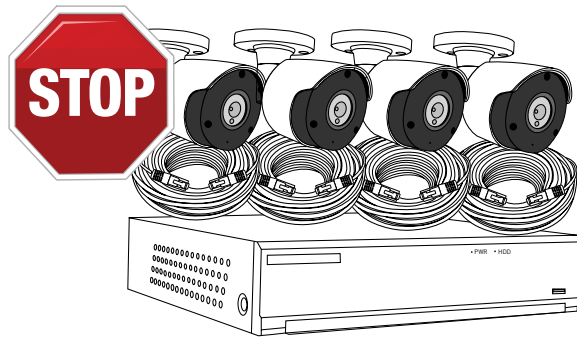
- 3 Plug the USB mouse into the USB port on the back of the NVR.



- 4 Plug one end of the included Ethernet cable into the LAN port on the back of the NVR.

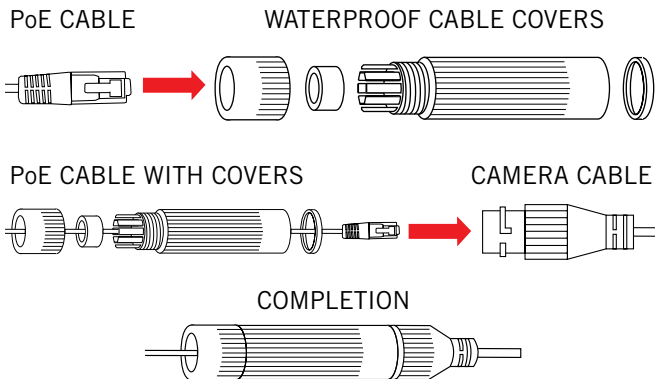


- 5 Plug the other end of the Ethernet cable into a port on the back of your router or modem.

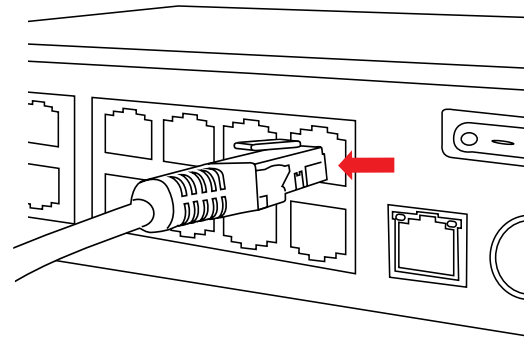


STOP: BEFORE installing, test each camera locally to confirm they function properly.

Connecting Your System

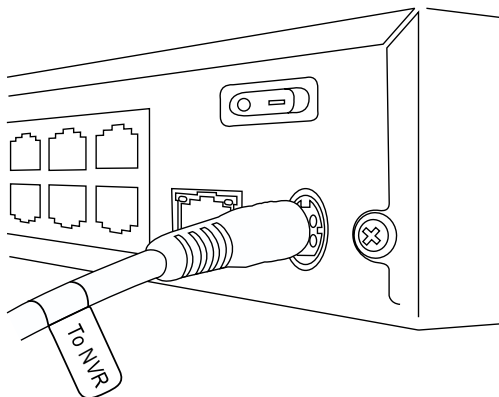


- 6** Insert one end of the PoE cable into the cable covers as shown in the image above. Connect the covered end of the PoE cable to the cameras' power cable.

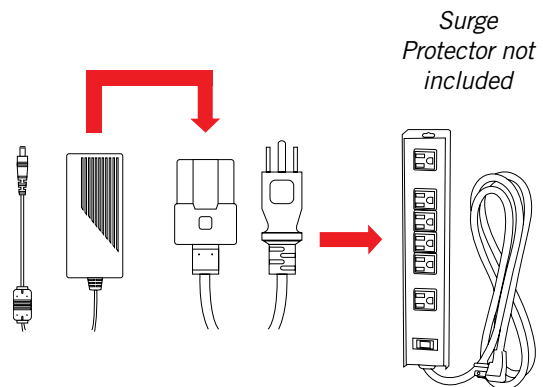


- 7** Input the other end of the PoE cable into an open PoE port on the back of the NVR.

NOTE: Make sure PoE cable is securely connected.



- 8** Connect the NVR power adapter to the Power Input on the rear of the NVR.



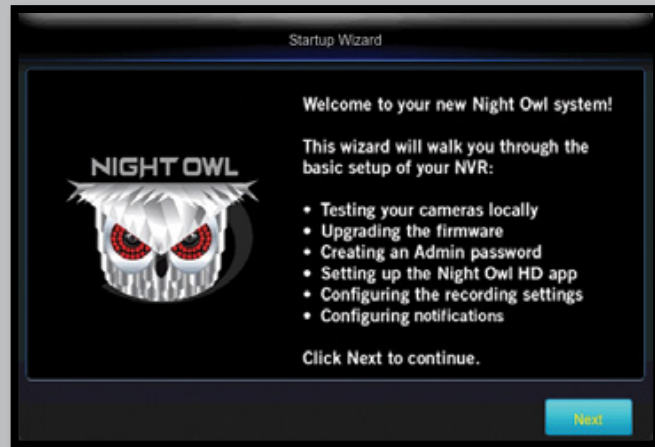
- 9** Plug the NVR power adapter into a surge protector or Uninterruptible Power Supply (UPS).

NOTE: Some systems will beep upon booting up.

Booting Up for the First Time

Startup Wizard

- 1 When you power on the NVR you will be prompted with the following screen. Please follow the instructions to complete the Startup Wizard.



Important... Please Read

- 2 On the 'Password Creation' screen, please note the following:



Admin Account Creation

By default, the username will be 'admin'. It must remain 'admin' upon your initial account configuration. However, you may add additional users at a later time.

NOTE: Password can be any alphanumeric combination between 6 and 20 characters.



Recovery Email Address

Please ensure you provide a valid email address in case you ever forget your account information.



Remember Your Password

Night Owl strongly recommends writing down your password within the Quick Setup Guide. You will need it every time you log into your NVR and to remotely view on a Smart Device.

Write your password here:

Booting Up for the First Time

- 3 When you reach the **'Camera/Channel Settings'** screen, you will want to have installed the cameras in their final position. Please make sure you have mounted cameras at least 7ft. above the ground and angled slightly downward.



At this stage of the Startup Wizard, you will be instructed on adjusting the camera sensitivity and setting the Motion Detection Area. Having your cameras in their final position will be key.

- 4 This is the last screen you will see when you have successfully completed the Startup Wizard.



NOTE: For additional configuration of your NVR, please refer to the owner's manual located on our support page at www.NightOwlISP.com.

Using Night Owl HD

Download and Install Application

- 1 Download **Night Owl HD** from the *App Store* or *Google Play Store* and install the application on your device.



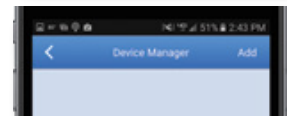
NOTE: Setup is the same for phone and tablet.

Disclaimer: The images of the Night Owl HD App are taken from the Android™ version of the application. If you are using a iOS® device, the interface may vary slightly; however, the setup will be the same.

- 2 To add a device, go to the Main Menu and select **Device Manager**.



- 3 Select the **Add** tab in the top right corner of your screen to add your NVR.

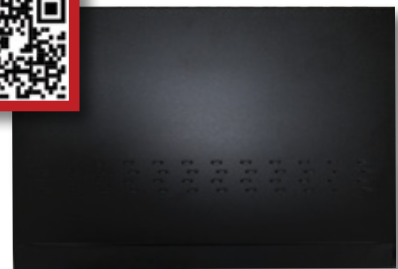


- 4 Select the blue Scan button to utilize Owl Scan.

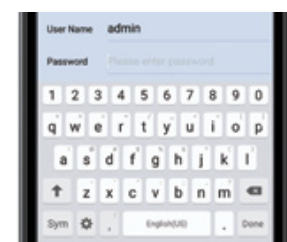


NOTE: You may also elect to manually enter the P2P ID which can be located within the System Menu of your NVR. Navigate to Right Click Menu > Main Menu > System > Info > P2P ID.

- 5 Using your phone's built-in camera, hover the lens over the QR code on the top of the NVR and wait for it to successfully scan.



- 6 Enter the password of your NVR and then select **Save**.



NOTE: Your NVR password should be stored on page 4 of this QSG.

Using Night Owl HD

Application Overview

Live View: Displays real-time footage of your system.

Remote Playback: View recordings and images and save them to your phone's album.

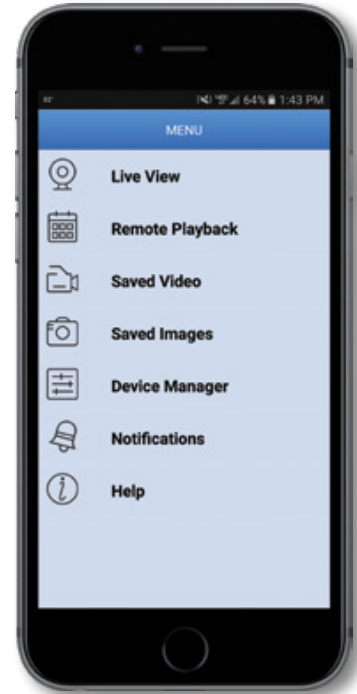
Saved Video: View video saved to your Night Owl HD App.

Saved Images: View images saved to your Night Owl HD App.

Device Manager: Add a new NVR and manage your devices.

Notifications: Manage custom push notifications.

Help: For additional resources regarding the Night Owl HD App.



Definition of User Icons



Device: To navigate to another added NVR.

View: Change the channel view.

Local: Record a video and save directly to the application.

Snap: Take a snapshot image and save directly to the application.

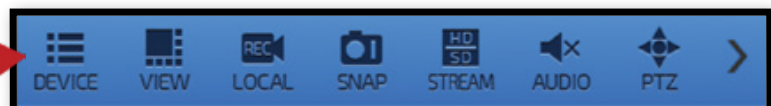
Stream: Switch between Mainstream and Substream.

Audio: Control audio for audio enabled camera or microphone.

PTZ: Control a PTZ camera.

Stop Single: Stop a single channel from streaming live view.

Stop All: Stop all channels from streaming live view.



NOTE: Menu order may vary between iOS® and Android™.

Using Night Owl HD CMS Software

Access your NVR from any computer, anywhere!



Main View

Viewing live video, controlling PTZ functionality and setting image parameters.



Remote Playback

View system recordings and images and save them directly to your PC or Mac®.

Group Device Management

Add and configure available NVRs and cameras on your network.

Night Owl HD CMS Software

The Night Owl HD Control Management Software (CMS) allows you to view your Night Owl Security system remotely from a PC or Mac®. Additionally, you can playback recorded video, save video and images directly to your PC or Mac®, configure numerous settings such as channel names and set record preferences.

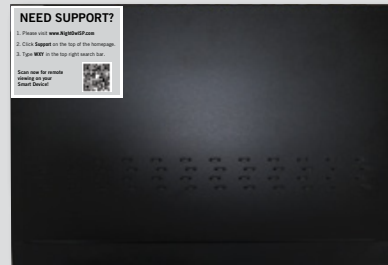
To download the CMS Software:

- 1 Go to www.NightOwlISP.com
- 2 Click on the Support tab.
- 3 In the Search bar, type "HD CMS".
- 4 Download the Night Owl HD CMS Software.
- 5 Once downloaded, select PC or Mac®.

Need Help?

For system manuals, troubleshooting guides, FAQs, video tutorials and more:

Please refer to the sticker located on top of the NVR for steps on how to access your product's support material.



Frequently Asked Questions

FAQs

1. Does my NVR have to be connected to the Internet?

Your NVR does not require an Internet connection for basic operation, but you will need to connect the NVR to your router in order to remotely view your system on a PC/Mac® or Smart Device.

2. Does my NVR have to be connected to a TV or monitor?

For initial setup, you will need to connect your NVR to a TV or monitor. After completing the initial setup, your NVR does not need to be connected to a TV or monitor to view or capture recordings. You can view your system using the Night Owl HD CMS Software on a PC/Mac® or by downloading the Night Owl HD app on your Smart Device.

3. Are my cameras weatherproof?

Yes, your cameras are weatherproof and will endure minimal moisture and dirt/debris. However, Night Owl strongly recommends placing all outdoor cameras under an eave or awning to help shield them from overexposure to the elements, which could reduce your camera's lifespan.

4. Why does my camera stop working at night?

It is possible that your camera is not receiving enough power for the LEDs needed for Night Vision. This could mean that the camera is too far from the NVR. The greater the distance from the NVR the more power the camera requires. You may need to purchase a power adapter for that camera. Please visit NightOwlsp.com for additional accessories.

5. Why am I not able to add my NVR to the Night Owl HD App?

In order to successfully add your NVR to the Night Owl HD App, you must enter the password for your NVR verbatim. This password should be stored on page 4 of this QSG and will be the same password you use to log in to your NVR. If the exact same password is not entered, you will not be permitted to add the device.

6. Why can't I connect using the Night Owl HD app or Night Owl HD CMS Software?

If you are having trouble connecting using our mobile app or client software: 1) your Night Owl system may not be connected to a router 2) the latest firmware or client software may not be installed on your computer or mobile device or 3) the password may have been entered incorrectly or 4) you may need to restart your NVR and try again.



Contact Us

PHONE (English, Spanish & French)

Sales/Technical Support

1.866.390.1303

Live Chat 24/7, 365 days a year

EMAIL

Sales Support

Sales@NightOwlISP.com

Technical Support

Support@NightOwlISP.com

WEBSITE

24/7 Product Support

- How-To Videos
- Manuals



www.NightOwlISP.com



YouTube



iPhone, iPad, Mac and Mac OS X are registered trademarks of Apple Inc. Windows, Windows XP, Windows Vista, Windows 7, Windows 8 and Windows 10 are registered trademarks of Microsoft Corporation in the United States and/or other countries.

FCC RADIATION NORM

FCC

This device complies with Part 15 of the FCC Rules. Operation is subject to the following two conditions: (1) this device may not cause harmful interference, and (2) this device must accept any interference received, including interference that may cause undesired operation.

FCC Compliance Statement

These limits are designed to provide reasonable protection against frequency interference in residential installation. This equipment generates, uses, and can radiate radio frequency energy, and if not installed or used in accordance with the instructions, may cause harmful interference to radio communication. However, there is no guarantee that interference will not occur in television reception, which can be determined by turning the equipment off and on. The user is encouraged to try and correct the interference by one or more of the following measures:

- Reorient or relocate the receiving antenna.
- Increase the separation between the equipment and the receiver.
- Connect the equipment into an outlet on a circuit different from that to which the receiver is connected.
- Consult the dealer or an experienced radio/TV technician for help.

CAUTION!

The Federal Communications Commission warns the user that changes or modifications to the unit not expressly approved by the party responsible for compliance could void the user's authority to operate the equipment.