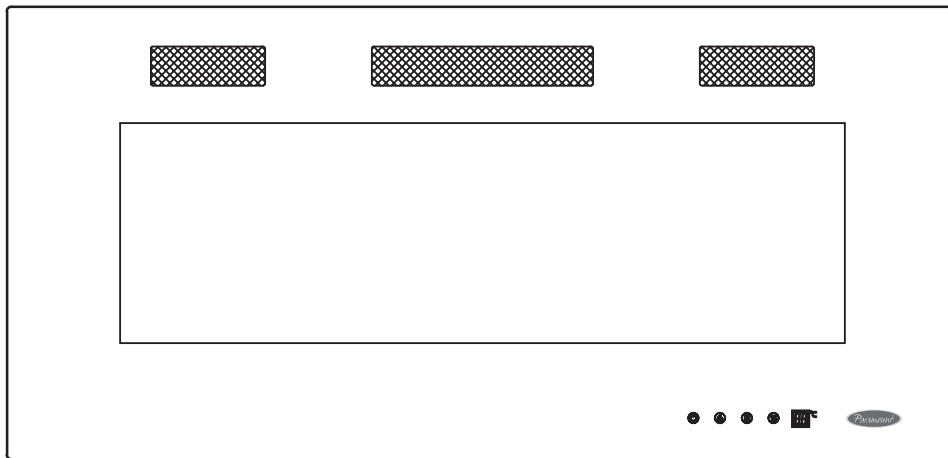


# Paramount



## Wall Mount Fireplace

With Adjustable Mounting Bracket



**Owner's Manual**

*\*Patented Flame Technology & Front Venting Design*

Model Number	Item Number
JR42	EF-WM353 MO (42")
JR50	EF-WM350 MO (50")
JR60	EF-WM349 MO (60")
JR72	EF-WM348 (72")



### **READ & SAVE THESE INSTRUCTIONS**

Carefully read and review before assembling, installing, operating, or maintaining this product. Observe all safety instructions and information.

**FAILURE TO FOLLOW WARNINGS & OPERATIONAL INSTRUCTIONS CONTAINED IN THIS MANUAL CAN RESULT IN PROPERTY DAMAGE OR PERSONAL INJURY**

### **\*\*IMPORTANT NOTICE\*\***

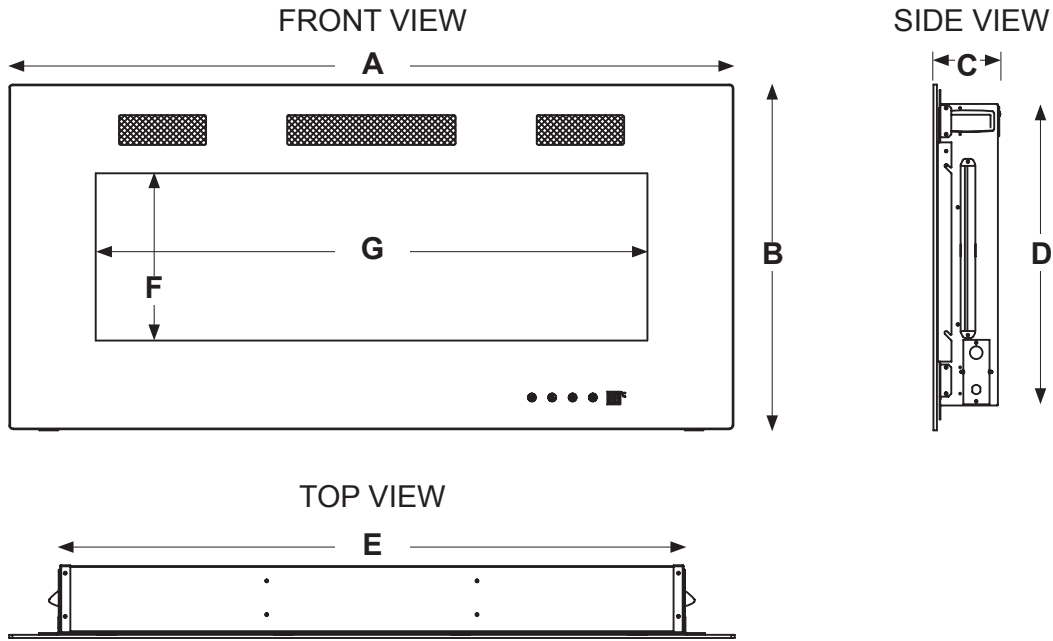
For customer service & warranty issues, please contact: [customercare@jrhome.com](mailto:customercare@jrhome.com)

# Introduction

## **WARNING**

- **THIS APPLIANCE IS HOT WHEN OPERATED AND CAN CAUSE SEVERE BURNS IF CONTACTED.**
- Do not operate appliance before reading and understanding operating instructions. Failure to operate appliance according to operating instructions could cause fire or injury.
- Risk of burns. Power to the appliance should be turned off and the appliance allowed to cool before servicing. To disconnect power to the appliance, turn controls to off, then remove plug from outlet.
- Do not install damaged, incomplete or substitute components.
- Do not burn wood or other materials in this appliance.
- Young children should be carefully supervised when they are in the same room as the appliance. Toddlers, young children and others may be susceptible to accidental contact burns. A physical barrier is recommended if there are at risk individuals in the house. To restrict access to an appliance or stove, install an adjustable safety gate to keep toddlers, young children and other at risk individuals out of the room and away from hot surfaces.
- Clothing or other flammable material should not be placed on or near the appliance.
- Due to high temperatures, the appliance should be located out of traffic and away from furniture and draperies.
- Ensure you have incorporated adequate safety measure to protect infants/toddlers from touching hot surfaces.
- Even after the appliance is out, the glass and/or screen will remain hot for an extended period of time.
- Check with your local hearth specialty dealer for safety screens and hearth guards to protect children from hot surfaces. These screens and guards must be fastened to the floor.
- Any safety screen or guard removed for servicing must be replaced prior to operating the appliance.
- It is imperative that the control compartments, circulating blower and its passageway in the appliance and are kept clean. The appliance should be inspected before use and at least annually by a qualified service person. More frequent cleaning may be required due to excessive lint from carpeting, bedding material, etc. The appliance area must be kept clear and free from combustible materials, gasoline and other flammable vapors and liquids.
- Under no circumstances should this appliance be modified.
- Do not use this appliance if any part has been under water. Immediately call a qualified service technician to inspect the appliance and to replace any part of the control system which has been under water.
- Do not operate the appliance with the glass door removed, cracked or broken. Replacement of the glass should be done by a licensed or qualified service person.
- Do not strike or slam shut the appliance glass door.
- Keep the packaging material out of reach of children and dispose of the material in a safe manner. As with all plastic bags, these are not toys and should be kept away from children and infants.
- Servicing should be done only while the appliance is disconnected from the power supply circuit.
- Always unplug appliance when not in use.
- Do not operate this appliance with a damaged cord or plug after the appliance malfunctions, has been dropped or damaged in any manner. Return appliance to authorized service facility for examination, electrical or mechanical adjustment, or repair.
- Do not use outdoors.
- Never locate appliance where it may fall into a bathtub or other water container.
- Do not run cord under carpeting. Do not cover cord with throw rugs, runners, or the like. Arrange cord away from traffic area and where it will not be tripped over.
- Connect to properly grounded outlets only.
- Do not insert or allow foreign objects to enter any ventilation or exhaust opening as this may cause an electric shock or fire, or damage the appliance.
- To prevent a possible fire, do not block air intakes or exhaust in any manner. Do not use on soft surfaces, like a carpet, where openings may become blocked.
- Always plug appliances directly into a wall outlet/receptacle. Never use an extension cord or relocatable power tap (outlet/power strip).
- Ensure clearances to combustibles are maintained when building a mantel or shelves above the appliance. Elevated temperatures on the wall or in the air above the appliance can cause melting, discolouration or damage to decorations, a T.V. or other electronic components.

# Dimensions



# Listing Approvals

This appliance has been tested in accordance with the CSA Standards for fixed and location-dedicated electric room appliances in the United States and Canada. If you need assistance during installation, please contact your local dealer.

**NOTE: This appliance must be electrically wired and grounded in accordance with local codes or, in the absence of local codes, with National Electric Code ANSI/NFPA 70-latest edition in the United States or the Canadian Electric Code, CSA C22.1 in Canada.**

PRODUCT DIMENSIONS								CARTON DIMENSIONS
Item No.	A	B	C	D	E	F	G	Width x Depth x Height
EF-WM353 MO	42"	20"	4.2"	18.8"	36.10"	9.72"	31.97"	49" x 10.24" x 25.59"
EF-WM350 MO	50"	20"	4.2"	18.8"	44.10"	9.72"	39.72"	56.89" x 10.24" x 25.59"
EF-WM349 MO	60"	20"	4.2"	18.8"	54.10"	9.72"	50"	66.93" x 10.24" x 25.59"
EF-WM348	72"	23.25"	4.2"	20.27"	66.10"	10.24"	60"	74.80" x 6.5" x 25.28"

Item No.	Net Weight	Gross Weight
EF-WM353 MO	22 KGS	28 KGS
EF-WM350 MO	26 KGS	33.5 KGS
EF-WM349 MO	31 KGS	39 KGS
EF-WM 348	40 KGS	48 KGS

Description	Electric Fireplace
Type	3 Way Mounting Wall Mount
Voltage	120V AC
Watts	MAX 1500W
Amps	15 AMP Grounded Circuit

## General Instructions

### **WARNING**

READ THESE INSTRUCTIONS COMPLETELY BEFORE BEGINNING INSTALLATION. FAILURE TO FOLLOW THEM COULD CAUSE AN APPLIANCE MALFUNCTION RESULTING IN SERIOUS INJURY AND/OR PROPERTY DAMAGE.

ALL ELECTRIC APPLIANCES HAVE HOT AND ARCING OR SPARKING PARTS INSIDE. DO NOT USE IT IN AREAS WHERE GASOLINE, PAINT OR FLAMMABLE LIQUIDS ARE PRESENT.

THIS ELECTRIC APPLIANCE IS TESTED AND LISTED FOR USE ONLY WITH THE OPTIONAL ACCESSORIES LISTED IN THESE INSTRUCTIONS. USE OF OPTIONAL ACCESSORIES NOT SPECIFICALLY TESTED FOR THIS ELECTRIC APPLIANCE COULD VOID THE WARRANTY AND/OR RESULT IN A SAFETY HAZARD.

DO NOT OPEN. RISK OF ELECTRIC SHOCK. NO USER-SERVICEABLE PARTS INSIDE.

DO NOT USE DAMAGED ELECTRICAL CORDS.

SERVICING SHOULD BE DONE ONLY WHILE THE APPLIANCE IS DISCONNECTED FROM THE POWER SUPPLY CIRCUIT.

TO PREVENT ELECTRIC SHOCK MATCH THE WIDE BLADE OF PLUG TO WIDE SLOT OF RECEPTACLE AND FULLY INSERT.

1. Prior to plugging your appliance into an electrical outlet, verify that the house circuit breakers for the outlet are on.
2. The appliance may emit a slight, harmless odour when first used. This odour is normal and it is caused by the initial heating of internal appliance elements and will not occur again.
3. If your appliance does not emit heat, consult the operation section of this manual for further information.
4. Use with a CSA or UL certified surge protector.
5. Do not route the power cord directly underneath the appliance.

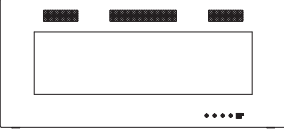
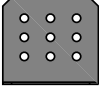
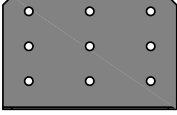



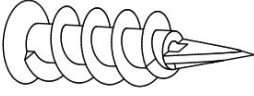
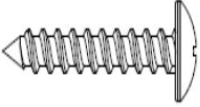


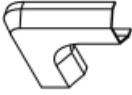


This electric appliance meets the construction and safety standards of H.U.D. for application in manufactured homes when installed according to these instructions.

**As with most electronic devices, your new electric fireplace has been designed to operate at temperatures between 5°C (41°F) and 35° C (95°F). During the colder winter months, allow the fireplace to reach room temperature before turning it on.**

## Unpacking and Testing Appliance

Carefully remove the appliance from the box. Prior to installing the appliance, test to make sure the appliance operates properly by plugging the power supply cord into a conveniently located 120 Volt grounded outlet.

# Hardware Parts List

 <p><b>A- Fireplace</b></p> <p>EF-WM353 MO (42") x1            EF-WM350 MO (50") x1            EF-WM349 MO (60") x1            EF-WM348 (72") x1</p>	 <p><b>B- Side Brackets</b></p> <p>EF-WM353 MO (42") x4            EF-WM350 MO (50") x4            EF-WM349 MO (60") x4            EF-WM348 (72") x4</p>	 <p><b>C1 - Top/Bottom Brackets</b></p> <p>EF-WM349 MO (60") x6            EF-WM348 (72") x8</p>	 <p><b>C2 - Top/Bottom Brackets</b></p> <p>EF-WM349 MO (60") x6            EF-WM348 (72") x8</p>
 <p><b>D- Mounting Bracket</b></p> <p>EF-WM353 MO (42") x1            EF-WM350 MO (50") x1            EF-WM349 MO (60") x1            EF-WM348 (72") x1</p>	 <p><b>E- Wood Screws</b></p> <p>EF-WM353 MO (42") x9            EF-WM350 MO (50") x13            EF-WM349 MO (60") x13            EF-WM348 (72") x16</p>	 <p><b>F- Drywall Anchors</b></p> <p>EF-WM353 MO (42") x9            EF-WM350 MO (50") x13            EF-WM349 MO (60") x13            EF-WM348 (72") x16</p>	 <p><b>G- ST4x12 Metal Screws</b></p> <p>EF-WM353 MO (42") x8            EF-WM350 MO (50") x8            EF-WM349 MO (60") x26            EF-WM348 (72") x32</p>
 <p><b>H- Remote Control</b></p> <p>EF-WM353 MO (42") x1            EF-WM350 MO (50") x1            EF-WM349 MO (60") x1            EF-WM348 (72") x1</p>	 <p><b>I- Crystals</b></p> <p>EF-WM353 MO (42") x1            EF-WM350 MO (50") x1            EF-WM349 MO (60") x1            EF-WM348 (72") x1</p>		
<p><i>OPTIONAL</i></p>  <p><b>J- Cord Corner</b></p> <p>EF-WM353 MO (42") x2            EF-WM350 MO (50") x2            EF-WM349 MO (60") x2            EF-WM348 (72") x2</p>	<p><i>OPTIONAL</i></p>  <p><b>K- Cord Corner</b></p> <p>EF-WM353 MO (42") x2            EF-WM350 MO (50") x2            EF-WM349 MO (60") x2            EF-WM348 (72") x2</p>	<p><i>OPTIONAL</i></p>  <p><b>L- Cord Cover</b></p> <p>EF-WM353 MO (42") x2            EF-WM350 MO (50") x2            EF-WM349 MO (60") x2            EF-WM348 (72") x2</p>	<p><i>For kit of OPTIONAL parts J, K, L (Item No: EF-WC) contact:</i></p> <p><b>1-800-561-5550</b></p>

## Locating Appliance

### **WARNING**

DUE TO HIGH TEMPERATURES, THIS ELECTRIC APPLIANCE SHOULD BE LOCATED OUT OF TRAFFIC. KEEP COMBUSTIBLE MATERIALS SUCH AS FURNITURE, PILLOWS, BEDDING, PAPERS, CLOTHES AND CURTAINS AT LEAST 36" FROM THE FRONT OF THE APPLIANCE.

NEVER LOCATE THIS ELECTRIC APPLIANCE WHERE IT MAY FALL INTO A BATHTUB OR OTHER WATER CONTAINER.

WEAR SAFETY GLOVES AND SAFETY GLASSES FOR PROTECTION DURING INSTALLATION AND MAINTENANCE.

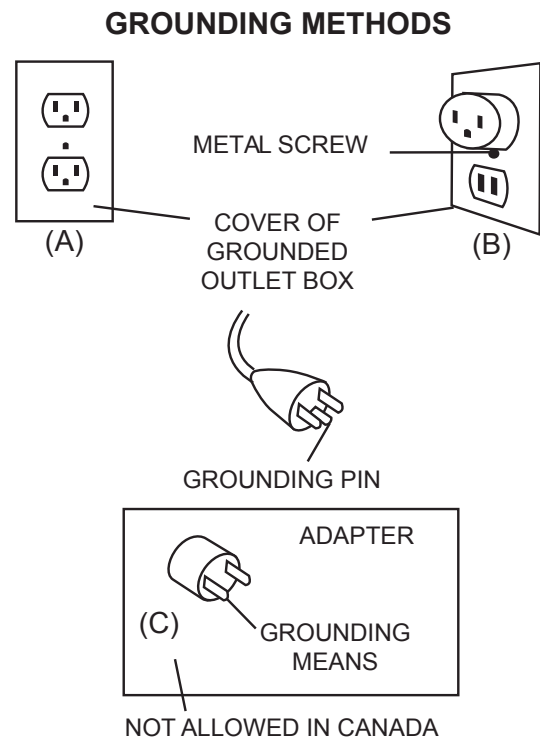
TO PREVENT CONTACT WITH SAGGING OR LOOSE INSULATION, THE ELECTRIC APPLIANCE MUST NOT BE INSTALLED AGAINST VAPOR BARRIER OR EXPOSED INSULATION. LOCALIZED OVERHEATING COULD OCCUR AND A FIRE COULD RESULT.

DO NOT EXPOSE THE ELECTRIC APPLIANCE TO THE ELEMENTS (SUCH AS RAIN, ETC.)

## Grounding Appliance

This appliance is for use on 120 Volts. The cord has a plug as shown in (A). An adapter as shown in (C) is available for connecting three-blade grounding type plugs to two-slot receptacles. The green grounding lug extending from the adapter must be connected to a permanent ground such as a properly grounded outlet box. The adapter should not be used if a three-slot grounded receptacle is available.

To disconnect appliance, turn controls to off, then remove plug from outlet.



# Installation

## **WARNING**

RISK OF FIRE! THE POWER CORD MUST NOT BE PINCHED AGAINST A SHARP EDGE. SECURE CORD TO AVOID TRIPPING OR SNAGGING TO REDUCE THE RISK OF FIRE, ELECTRIC SHOCK OR PERSONAL INJURY. DO NOT RUN CORD UNDER CARPETING. DO NOT COVER CORD WITH THROW RUGS, RUNNERS OR THE LIKE. ARRANGE CORD AWAY FROM TRAFFIC AREAS AND WHERE IT WILL NOT BE TRIPPED OVER.

RISK OF FIRE! TO PREVENT A POSSIBLE FIRE, DO NOT BLOCK AIR INTAKE OR EXHAUST IN ANY MANNER. DO NOT USE ON SOFT SURFACES WHERE OPENINGS MAY BECOME BLOCKED.

RISK OF FIRE! DO NOT BLOW OR PLACE INSULATION AGAINST THE APPLIANCE.

THIS ELECTRIC APPLIANCE IS TESTED AND LISTED FOR USE ONLY WITH THE APPROVED OPTIONAL ACCESSORIES. USE OF OPTIONAL ACCESSORIES NOT SPECIFICALLY TESTED FOR THIS ELECTRIC APPLIANCE COULD VOID THE WARRANTY AND/OR RESULT IN A SAFETY HAZARD.

IF THE INFORMATION IN THESE INSTRUCTIONS IS NOT FOLLOWED EXACTLY, A FIRE OR EXPLOSION MAY RESULT CAUSING PROPERTY DAMAGE, PERSONAL INJURY OR DEATH. DO NOT STORE OR USE GASOLINE OR OTHER FLAMMABLE VAPORS IN THE VICINITY OF THIS OR ANY OTHER APPLIANCE.

THIS APPLIANCE IS HEAVY. IT IS HIGHLY RECOMMENDED THAT TWO PEOPLE INSTALL THIS APPLIANCE.

HEATER VENTS ON THE ELECTRIC APPLIANCE CANNOT, IN ANY WAY, BE COVERED AS IT MAY CREATE A FIRE HAZARD.

DO NOT RUN THE POWER CORD HORIZONTALLY, DIRECTLY BELOW THE APPLIANCE.

Your JR42/50/60/72 unit is a wall-mounted appliance. Select a suitable location that is not susceptible to moisture and is away from drapes, furniture and high traffic areas.

**NOTE: Follow all National and local electrical codes.**

## Minimum Clearance to Combustibles

Measurements are taken from the glass front

Bottom	0"	Top	8" (203mm) to mantel
Sides	0"	Top	8" (203mm) to ceiling
Back	0"		

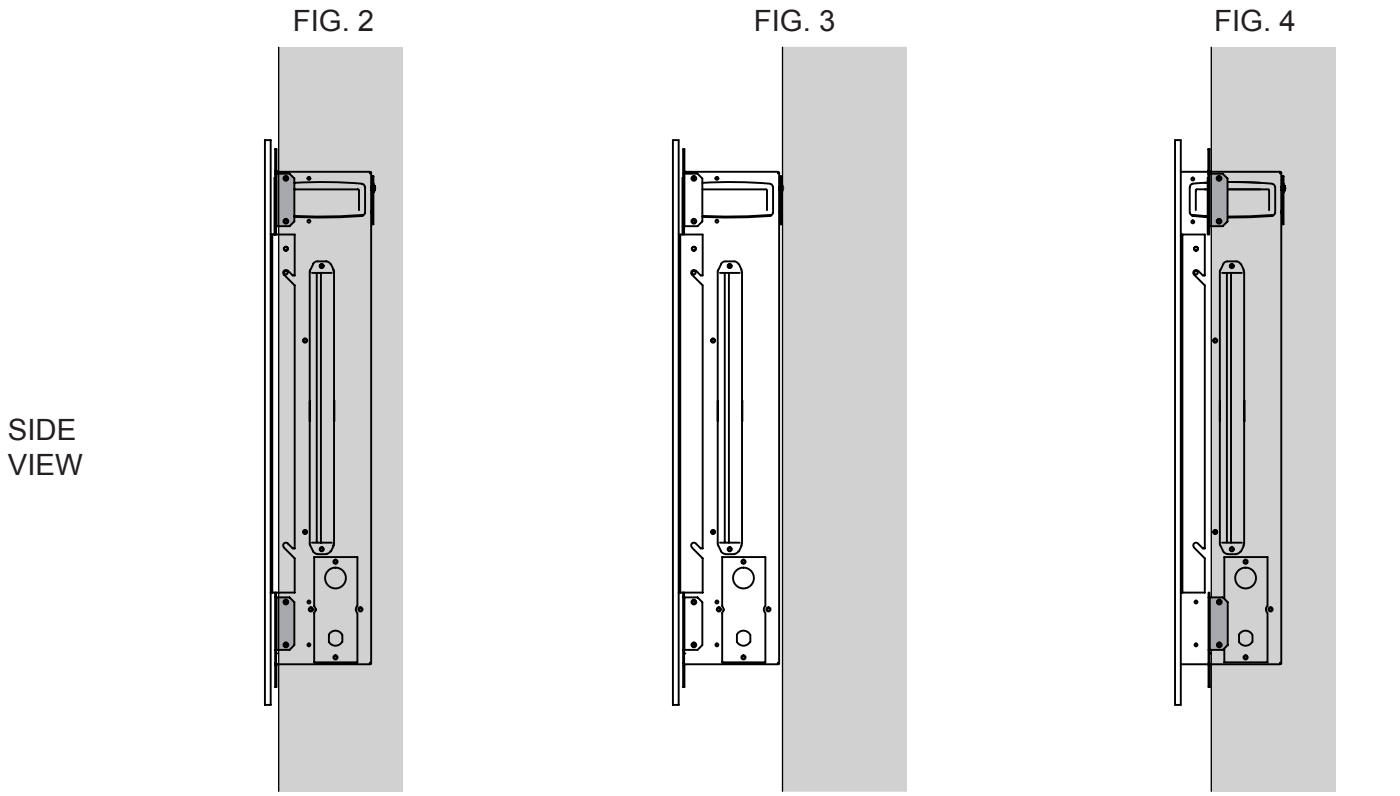
## Minimum Mantel Clearances

### **WARNING**

WHEN USING PAINT OR LACQUER TO FINISH THE MANTEL, THE PAINT OR LACQUER MUST BE HEAT RESISTANT TO PREVENT DISCOLOURATION.

# Adjustable Mounting Brackets and Installation Options

**NOTE:** It is recommended that the walls for the appliance enclosure be finished (ie. drywall) to avoid exposed insulation or vapour barriers coming in contact with the appliance. This will ensure clearance to combustibles is maintained.



SIDE VIEW

TOP VIEW

## OPTION 1

### Full Recess:

- Flush to wall look
- No use of backlight

For installation instructions refer to Page 9

## OPTION 2

### No Recess:

- Easy installation
- Full use of backlight
- Easy maintenance

For installation instructions refer to Page 12

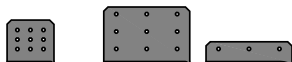
## OPTION 3

### Partial Recess:

- 1" gap for multi-use
- No use of backlight
- Easy maintenance

For installation instructions refer to Page 9

PARTS NEEDED

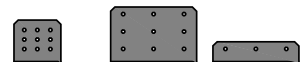


**B + C1 or C2**

(JR42/JR50: B only)



**D**



**B + C1 or C2**

(JR42/JR50: B only)



## Option 1: Recessing the Appliance Flush into the Wall

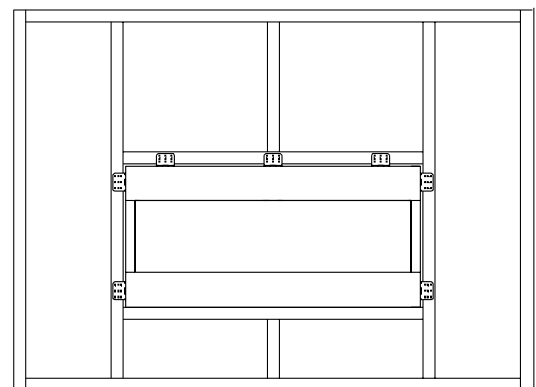
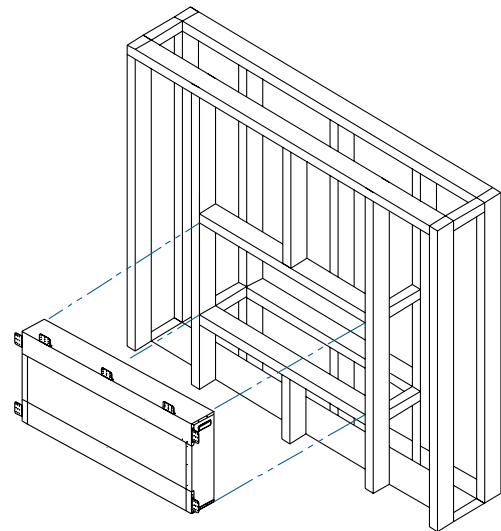
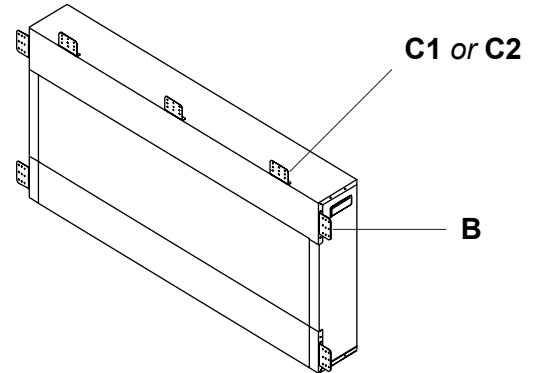
Due to the many different finish materials used on walls, it is highly recommended that you consult your local builder before you install this appliance in the wall.

Select a location that is not prone to moisture and is located at least 36" (914mm) away from combustible materials such as curtain drapes, furniture, bedding, paper etc.

1. Measure the appliance and create a rough in with electrical.
2. Remove the front glass (refer to Page 15 for instructions).
3. Remove the LED back lights (refer to Page 16 for instructions).
4. Hold the appliance up to ensure it will fit into the framing.
5. **To fully recess the appliance into the wall:**
  - A. Position and screw the side Builder's brackets (shown in grey on Page 10) to the set of holes closest to the front glass as in Figure 2 on Page 8.
  - B. Use 8-24 screws (provided) to lock appliance into wall from the side facing out.
  - C. Install the media and reinstall the glass front.

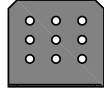
6. **To partially recess the appliance into the wall (Option 3):**
  - A. Position and screw the side Builder's brackets (shown in grey on Page 10) to the second set of holes from the front glass as in Figure 4 on Page 8.
  - B. Use 8-24 screws (provided) to lock appliance into wall from the side facing out.
  - C. Install the media and reinstall the glass front.

**NOTE: Two sets of holes are provided for recessing into the wall. The wall structure may limit how far the appliance can be recessed. Use the appropriate set of holes when recessing to the frame, it may be necessary to use the four holes on the top and bottom.**

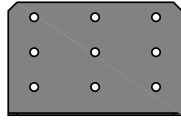


FRONT VIEW

# Positioning of Adjustable Builder's Brackets

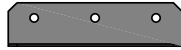


**B: Side brackets**



**C1: Top bracket (Tall)**

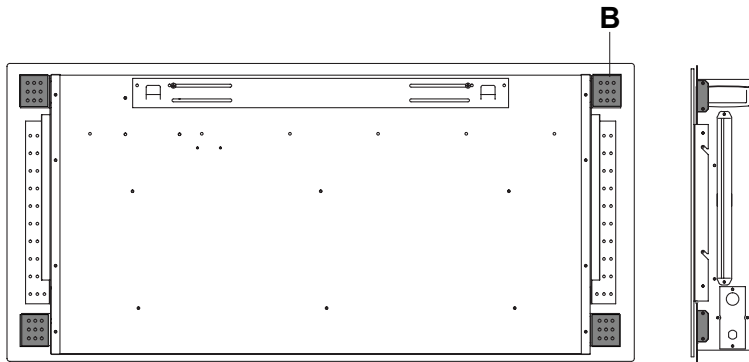
Use for more security & surface area



**C2: Top bracket (Short)**

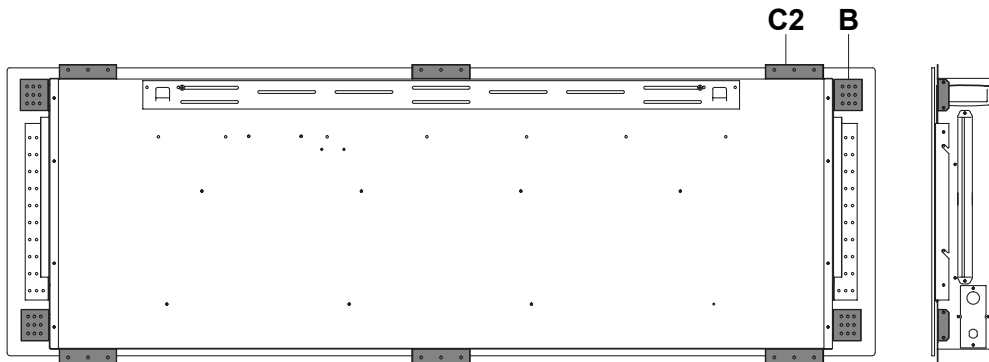
Used when no wall finish is applied.  
Will stay hidden behind glass.

EF-WM353 MO,  
EF-WM350 MO

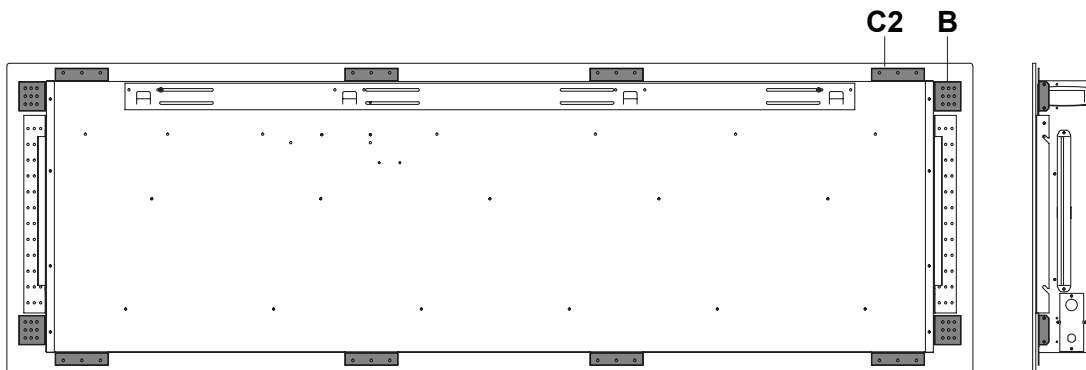


*Builder's bracket positions  
shown in grey for each model*

EF-WM349 MO



EF-WM348

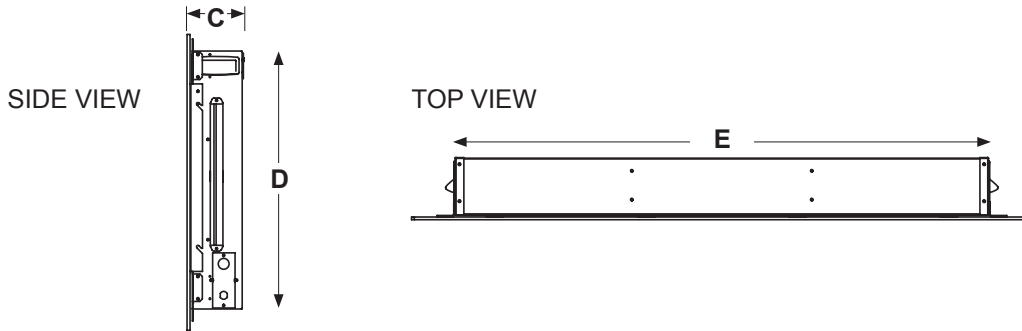


# Minimum Clearance to Combustibles

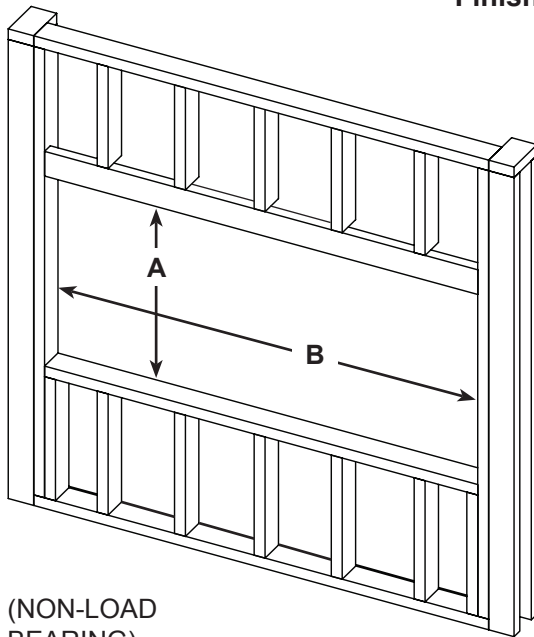
Measurements are taken from the glass front

Sides, back and top 0"

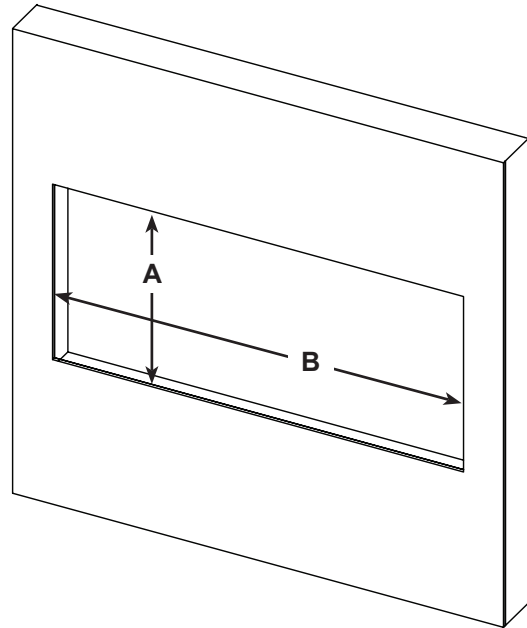
## Framing



### Finishing Material



(NON-LOAD BEARING)



### Recommended Framing Dimensions

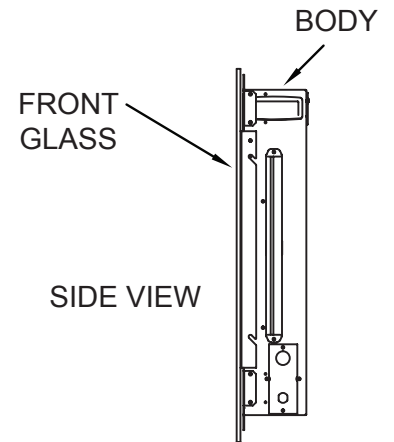
Item No.	A	B	C	D	E
EF-WM353 MO	19.3" (49cm)	38.60" (98cm)	4.2"	18.8"	36.10"
EF-WM350 MO	19.3" (49cm)	46.60" (118.4cm)	4.2"	18.8"	44.10"
EF-WM349 MO	19.3" (49cm)	56.60" (143.8cm)	4.2"	18.8"	54.10"
EF-WM348	21.27" (52.8cm)	68.60" (174.2cm)	4.2"	18.8"	66.10"

**NOTE to installer:** Please allow extra clearance for the power cord and easy installation.

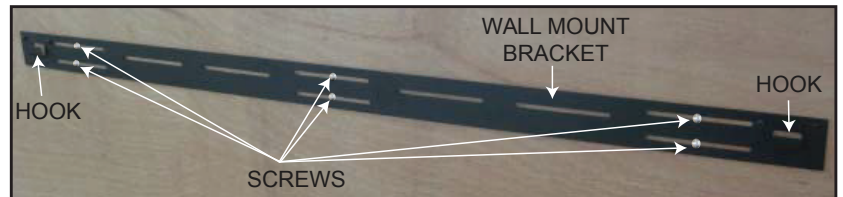
## Option 2: Hanging the Appliance on the Wall

Due to the many different materials used on different walls, it is highly recommended that you consult your local builder before you install this appliance on the wall.

1. Select a location that is not prone to moisture and is located at least 36" (914mm) away from combustible materials such as curtain drapes, furniture, bedding, paper, etc.
2. Have two people hold the appliance against the wall to determine the final location.
3. Remove the bracket from the back of the unit by removing the two screws, refer to Figure 1.
4. Mark out location, then mount the bracket onto the wall using the 8 supplied screws. This bracket **MUST** have the hooks facing upward and be level.



**NOTE: It is strongly recommended that the mounting bracket be screwed into the wall studs where possible. If the wall studs cannot be used, ensure that the supplied plastic anchors are used to affix the bracket to the wall and the bracket is adequately secured.**



5. With the wall mounting bracket installed have two people lift the appliance up and insert the two hooks on the bracket into the two slots on the back of the appliance.
6. Check the appliance for stability ensuring that the bracket will not pull free from the wall.

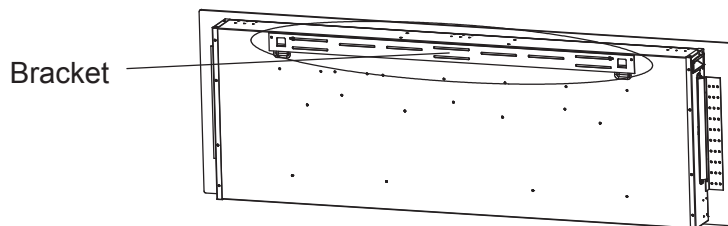
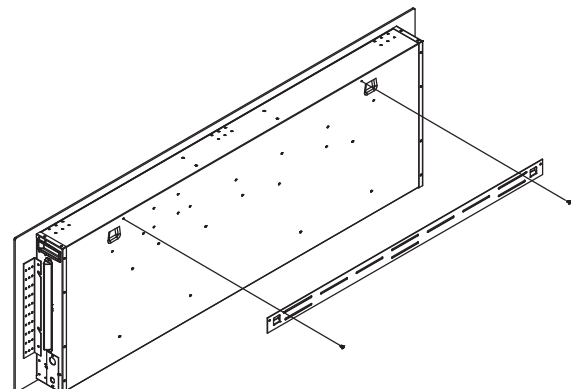
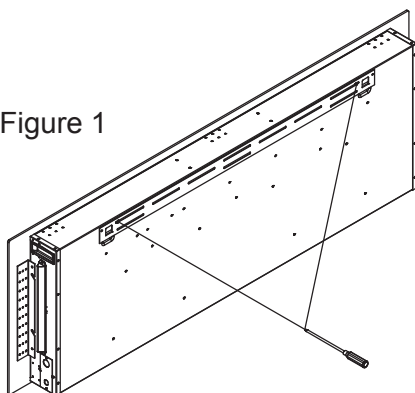


Figure 1



# Hard Wiring Installation

## WARNING

TURN OFF THE APPLIANCE COMPLETELY AND LET COOL BEFORE SERVICING. ONLY A QUALIFIED SERVICE PERSON SHOULD SERVICE AND REPAIR THIS ELECTRIC APPLIANCE.

### HARD WIRING CONNECTION

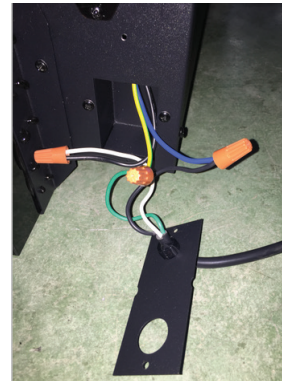
If it is necessary to hard wire this appliance, a qualified electrician must remove the cord connection, and wire the appliance directly to the house hold wiring.

This appliance must be electrically connected and grounded in accordance with local codes, if hard wired. In the absence of local codes, use the current CSA C22.1 CANADIAN ELECTRICAL CODE in Canada or the current ANSI/NFPA 70 NATIONAL ELECTRICAL CODE in the United States.

COVER PLATE



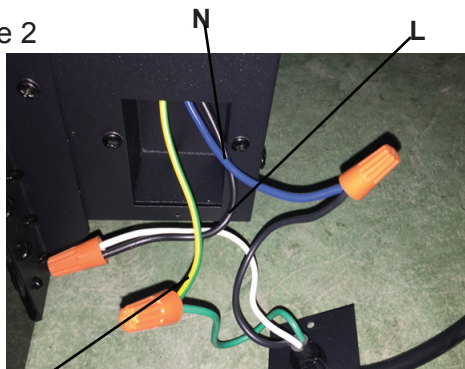
Figure 1



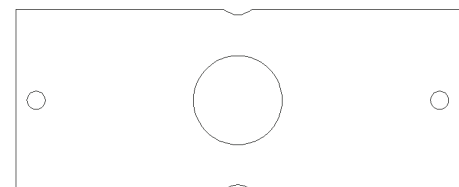
1. Remove the cover plate from the right side of the appliance by removing the four screws, as shown above.
2. Remove the wire connectors from the power cord. The power cord may be discarded.
3. Take the new cover plate, supplied in the manual bag. Punch out the 7/8" (22mm) hole and install a box connector through, into the junction box. Snap the box connector clamp onto the supply wires.
4. Using the wire connectors, connect the ground green wires (G) and white wires (N) together, then hot black wires (L) and then refer to Figure 2.
5. Reinstall the cover plate using the four screws, as shown in Figure 1.

**NOTE: Leave enough wire so that the appliance can be removed from the enclosure without disconnecting the power supply.**

Figure 2



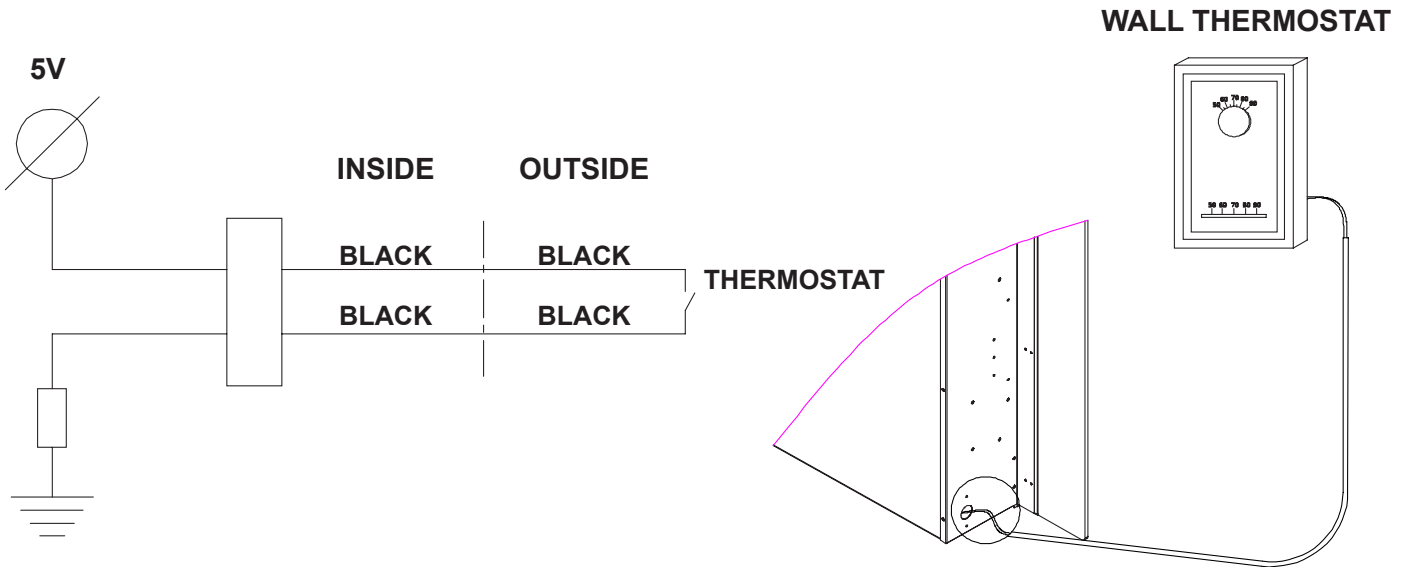
7/8" (22.2mm)  
Diameter



# Wall Thermostat Installation

## WARNING

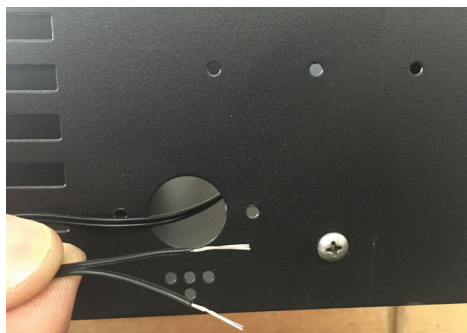
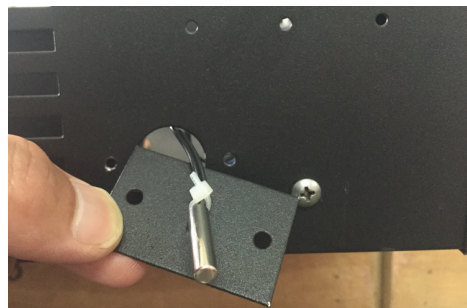
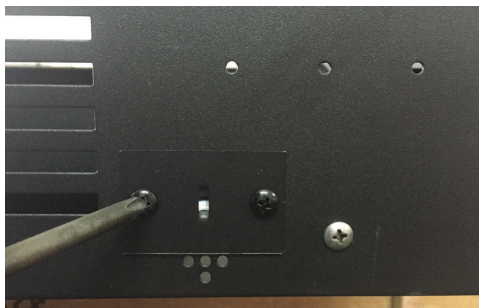
TURN OFF THE APPLIANCE COMPLETELY AND LET COOL BEFORE SERVICING. ONLY A QUALIFIED SERVICE PERSON SHOULD SERVICE AND REPAIR THIS ELECTRIC APPLIANCE.



**NOTE:** Wire the wall thermostat prior to installing the fireplace.

### WALL THERMOSTAT WIRING (24VAC)

1. Turn off circuit breaker.
2. Remove cover plate located on the left side of the appliance.
3. Pull the wire out and cut the inside thermostat. Connect the wires to the wall thermostat as shown below. Follow instructions provided with wall switch kit.





## Finishing

### **WARNING**

POWER SUPPLY SERVICE MUST BE COMPLETED PRIOR TO FINISHING TO AVOID RECONSTRUCTION.

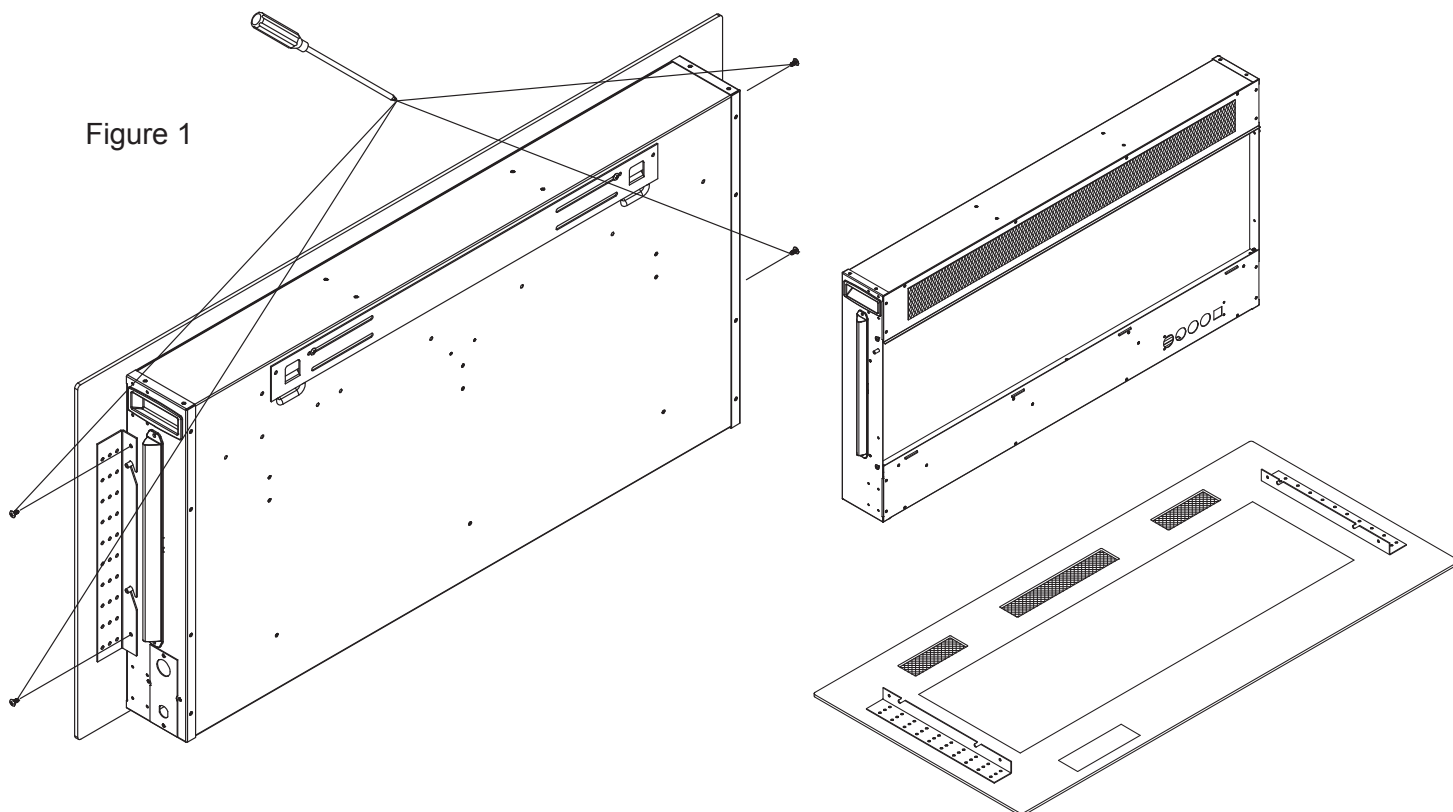
HEAT VENTS AND AIR OPENINGS CANNOT BE COVERED IN ANY CIRCUMSTANCES.

## Front Glass Removal / Installation

### **WARNING**

BEFORE THE FRONT GLASS IS INSTALLED OR REMOVED, UNPLUG THE APPLIANCE AND WAIT UNTIL APPLIANCE IS COOL TO THE TOUCH. GLASS CAN BE HEAVY AND FRAGILE SO HANDLE WITH CARE.

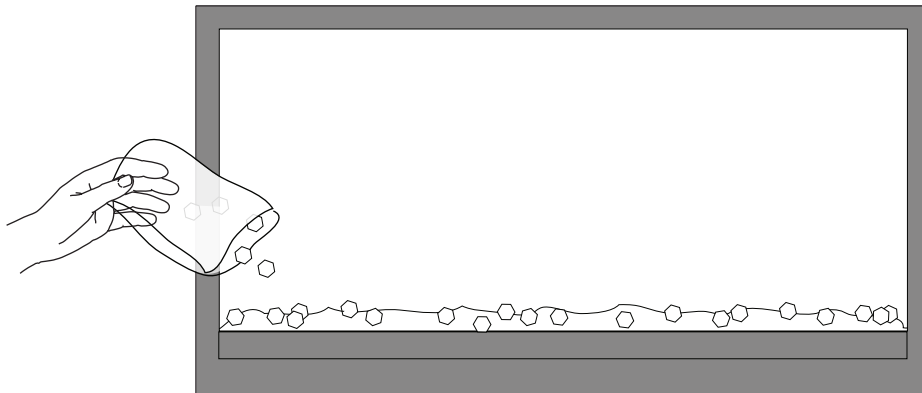
1. Remove the 4 screws from the sides of the appliance in Figure 1.
2. Have two people lift the glass up and away from the appliance, holding the glass vertical while carrying. Carefully rest the glass on a soft, non-abrasive surface.
3. Install the crystal embers (refer to instructions on Page 16)
4. Re-install the front glass by aligning the slots with the pins on the side of the appliance. Press the glass down to secure in place.
5. Secure the front glass using the 4 screws in Figure 1. (If fully recessed, this is not necessary)



## Crystal Embers Installation

The glass front must be removed and the appliance must be secured in its final location before the crystal embers are installed.

1. Carefully place crystal embers into the bottom media tray on the front of the appliance as illustrated. Apply an even layer from side to side.



*Upgrade your fireplace by replacing your resin crystal embers with our real crystal Diamond Embers to give your unit the most exquisite and stylish look. To order our Diamond Embers, contact our toll-free customer service at 1-866-592-6667.*

## LED Back Light Removal

The glass front must be removed and the appliance must be secured in its final location before the crystal embers are installed.

1. Unscrew the two screws in Figure A.
2. Lift off the LED cover and remove.
3. Disconnect the wires where connected to the circuit board. The disassembly is complete.





# Operating Instructions

## WARNING

WHILE THE APPLIANCE IS OPERATING DO NOT REMOVE THE GLASS PANEL. THIS WILL CAUSE THE REMOTE CONTROL AND TOUCH PANEL TO DISFUNCTION.

Once the appliance has been plugged into a grounded electrical outlet, it is ready to operate.

**NOTE: Ensure the house circuit breakers for the power supply are turned on. In the event of a power failure, the appliance will lose its memory function and will reset to factory mode when the power returns.**

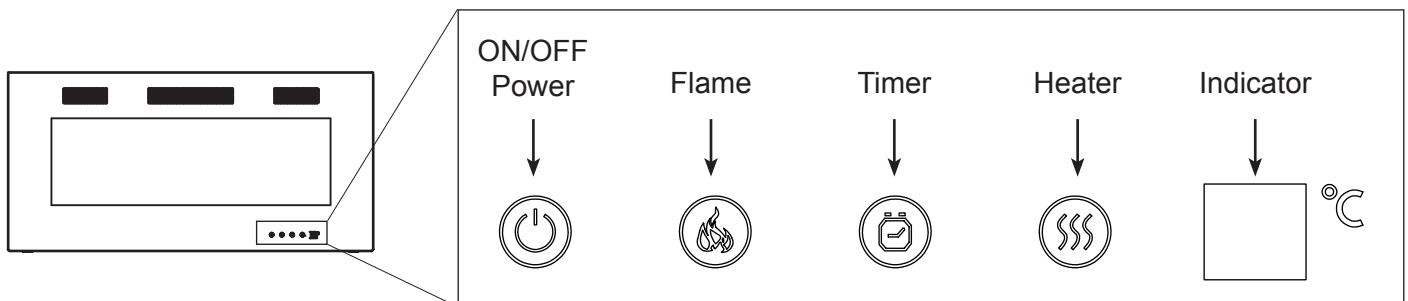
## Main Power Switch




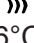
To turn unit power on:

1. Plug in power cord.
2. Turn on the power switch (located on the front bottom right side of the appliance).
3. Verify the power is turned on when two ring tones are initiated.

## Operating with Touch Panel

The unit can be controlled by either the touch panel controls which are located on the right side of the front glass or the remote control.





1. Press “  ” to turn on and off the appliance.
2. Press “  ” multiple times to adjust between mid, low, on/off, or high brightness options
3. Press “  ” multiple times to set operating duration to 30 min, 1h, 2h, 3h, 4h, 5h, 6h, 7h, 8h, or off.
4. Press “  ” multiple times to set ambient temperatures at 18°C, 19°C, 20°C, 21°C, 22°C, 23°C, 24°C, 25°C, 26°C, 27°C, 28°C, ON or OFF. When setting the temperature, the number will flash.

**Note: The touch panel buttons will glow when pressed. The light fades in 5 seconds after pressing.**




# Multi-functional Operating with Remote Control

## Turning ON/OFF the appliance:

1. Ensure steps 1-3 in the “Main Power Switch” procedure are first followed.
2. Press the “” remote button to turn on both flame and ember bed LEDs.
3. Press the “” button again to turn off both flame and ember bed LEDs.
4. Verify the lights are shut off.
5. Turn off the main power switch.
6. Unplug the power cord.







*Note: The LEDs are at the brightest when the heating element is shut off. The power switch on the appliance must be turned on for the remote control to operate.*

## Changing the temperature:

1. Ensure steps 1-2 in “Turning ON/OFF the appliance” are previously followed.
2. Press the “” button to turn on the heat element to HIGH temperature at 1500W.
3. Press the “” button again to decrease the temperature to LOW temperature at 750W.
4. Press the “” button multiple times to set ambient temperature to 18°C, 19°C, 20°C, 21°C, 22°C, 23°C, 24°C, 25°C, 26°C, 27°C, 28°C, ON or OFF. The number will appear on touch panel display.

*Note: Pressing the “” or “” a second time turns off the heating element.*

## Changing LED options:

1. Ensure steps 1-2 or 1-3 in “Turning ON/OFF the appliance” are previously followed.
2. Press the “” button to turn on or off the flame and ember bed LEDs.
3. Press the “” button multiple times to cycle through 3 different brightness levels and OFF for the yellow flame LEDs.
4. Press the “” button multiple times to cycle through 3 different brightness levels and OFF for the blue flame LEDs.
5. Press the “” button multiple times to cycle through 3 different brightness levels and OFF for the pink flame LEDs.
6. Press the “” button multiple times to set operating duration to 30min, 1h, 2h, 3h, 4h, 5h, 6h, 7h, 8h, or off.
7. Press the “” button multiple times to cycle the back LED lights through red, yellow, blue, red/blue, red/yellow, yellow/blue, red/yellow/blue, fade, or OFF.

*Note: Steps 2-7 can be done independently.*

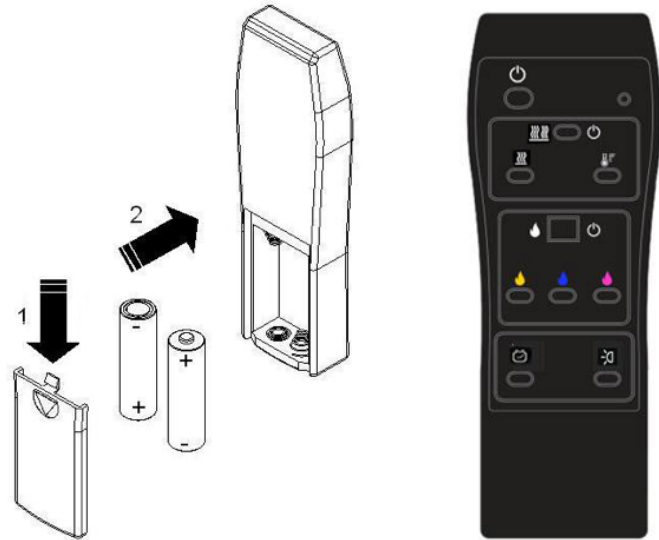


## Remote Control Specifications

1. MCU Chips: SN8P2722 Chip
2. Software: LRC 12-02
3. Remote: 10 key remote
4. Item No.: EF-WM353 MO, EF-WM350 MO, EF-WM349 MO, EF-WM348

NOTE: Make sure your “AA” batteries (x2) are fully charged and installed correctly in your remote control before operating.

The remote control must remain within 5 meters or 17 feet of the appliance to be effective, this range may be reduced when battery power is depleted.



## Maintenance

### **WARNING**

#### PREPARATION FOR MAINTENANCE

ALWAYS DISCONNECT THE POWER AND ALLOW THE ELECTRIC APPLIANCE TO COOL BEFORE PERFORMING ANY CLEANING, MAINTENANCE OR RELOCATION OF THIS ELECTRIC APPLIANCE. TURN CONTROLS TO OFF AND REMOVE PLUG FROM OUTLET OR TURN OFF THE HOUSE CIRCUIT BREAKER TO ELECTRIC APPLIANCE RECEPTACLE.

DO NOT INSTALL REPLACEMENT BULBS THAT EXCEED SPECIFIED MAXIMUM WATTS.

THE BULBS IN YOUR APPLIANCE CAN BECOME EXTREMELY HOT. ALLOW AT LEAST 10 MINUTES BETWEEN TURNING OFF THE APPLIANCE AND REMOVING THE LAMPS TO AVOID ACCIDENTAL BURNS.

DO NOT HANDLE THE BULBS WITH BARE FINGERS, OILS FROM YOUR SKIN WILL DAMAGE THE BULBS WHEN THEY HEAT UP. USE GLOVES OR A CLEAN DRY CLOTH WHEN HANDLING BULBS.

## Storage Instructions

Ensure the power cord is not installed so that it is pinched or against a sharp edge and ensure that the power cord is stored or secured to avoid tripping or snagging to reduce the risk of fire, electric shock, or injury to persons.

Construction and electrical outlet wiring must comply with local building codes and other applicable regulations to reduce the risk of fire, electrical shock, and injury to persons.

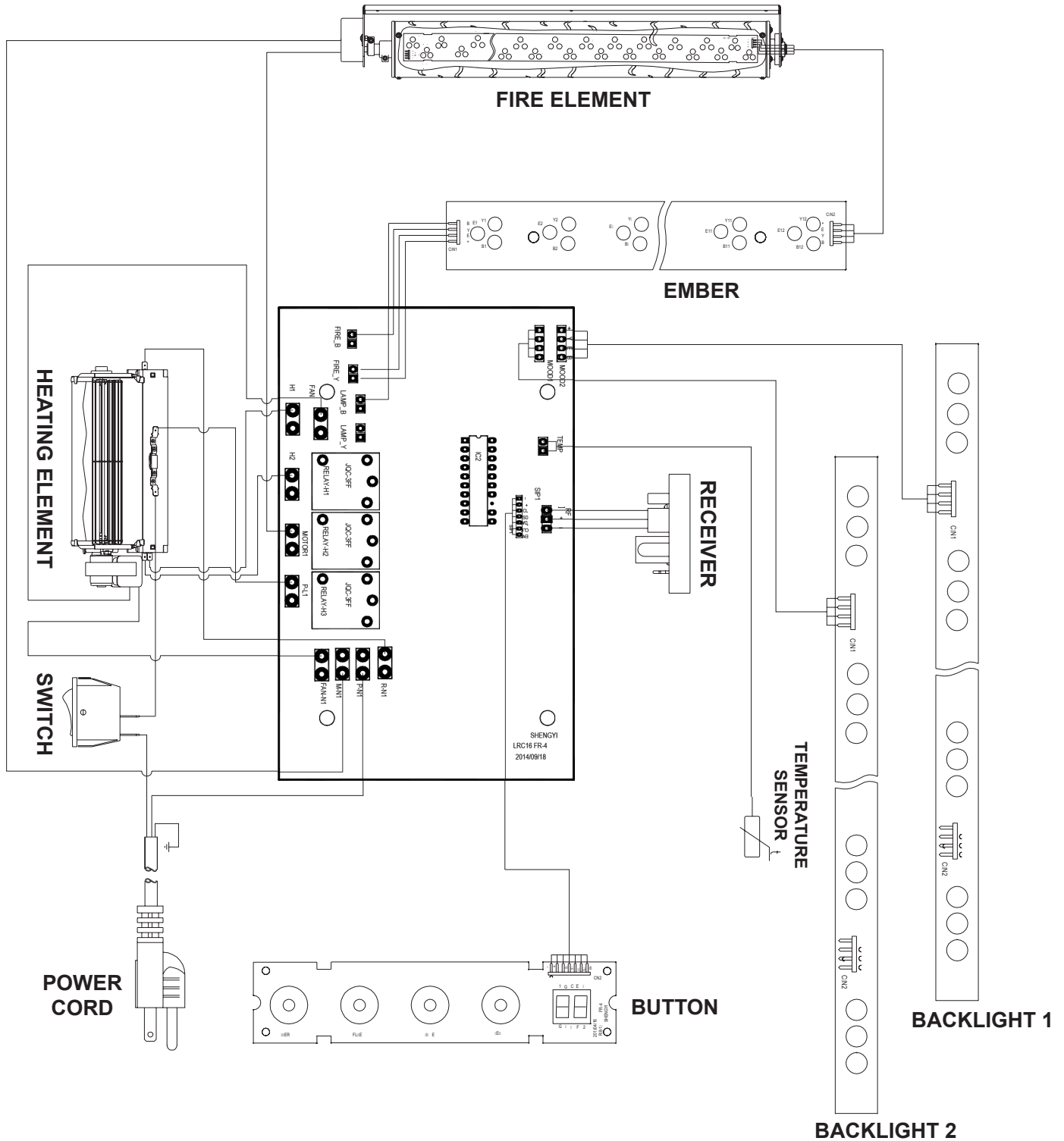
Do not attempt to wire your own new outlets or circuits. To reduce the risk of fire, electric shock, or injury to persons, always use a licensed electrician.

# Wiring Diagram



## WARNING

TURN OFF THE APPLIANCE COMPLETELY AND LET COOL BEFORE SERVICING. ONLY A QUALIFIED SERVICE PERSON SHOULD SERVICE AND REPAIR THIS ELECTRIC APPLIANCE.



# Replacement Parts



FAILURE TO POSITION THE PARTS IN ACCORDANCE WITH THIS MANUAL OR FAILURE TO USE ONLY PARTS SPECIFICALLY APPROVED WITH THIS APPLIANCE MAY RESULT IN PROPERTY DAMAGE OR PERSONAL INJURY.

To order parts, contact [customercare@jrhome.com](mailto:customercare@jrhome.com)

**FOR WARRANTY REPLACEMENT PARTS, A PHOTOCOPY OF THE ORIGINAL INVOICE WILL BE REQUIRED TO HONOUR THE CLAIM.**

When ordering replacement parts always give the following information:

- Model and serial number of appliance
- Installation date of appliance
- Part number
- Description of part
- Finish

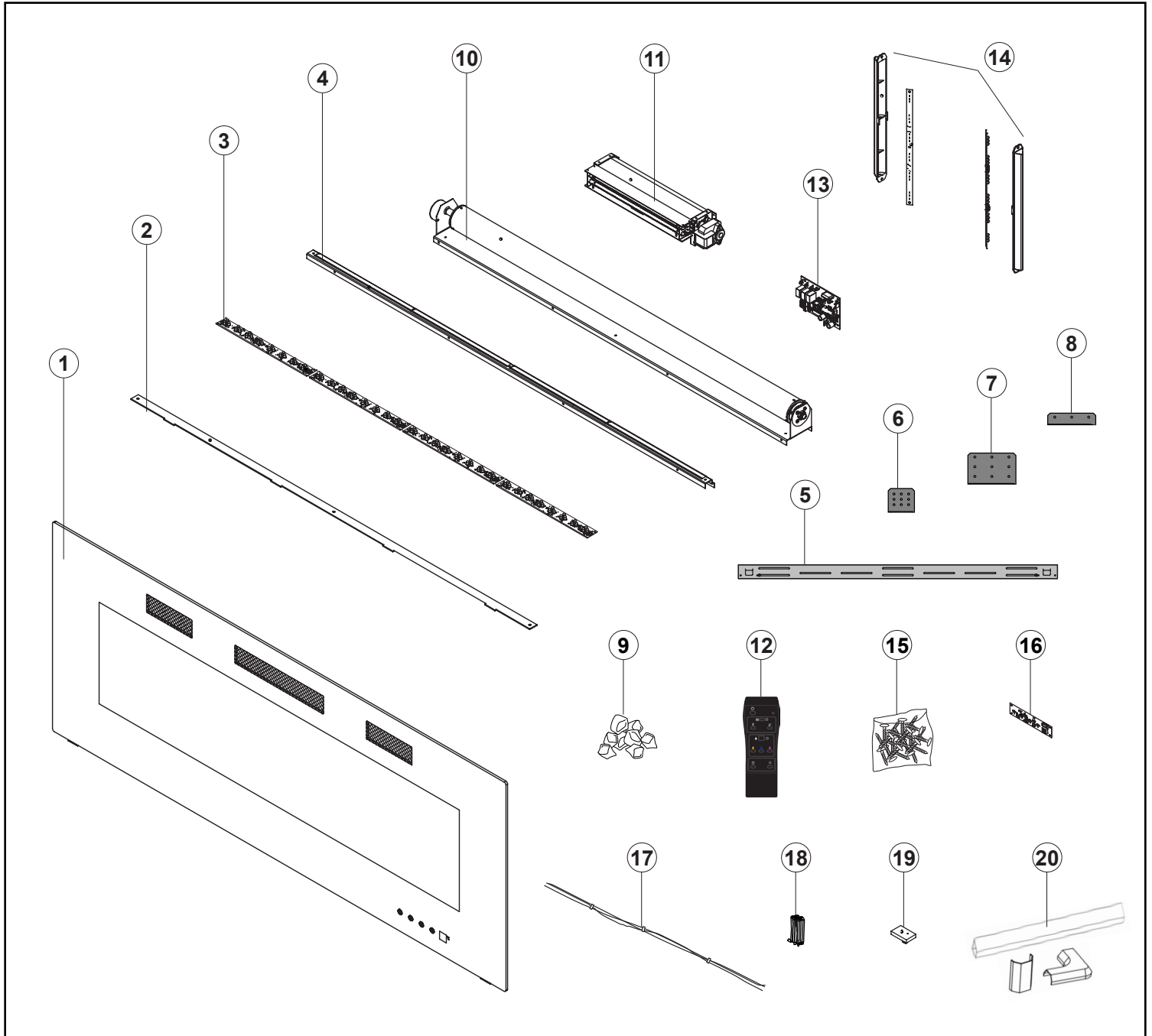
**FOR FURTHER INFORMATION, CONTACT YOUR AUTHORIZED DEALER.**

COMPONENTS					
REF.	EF-WM353 MO	EF-WM350 MO	EF-WM349 MO	EF-WM348	DESCRIPTION
1	BFT42	BFT50	BFT60	BFT72	Front Glass
2	BFT42CT	BFT50CT	BFT60CT	BFT72CT	Acrylic Panel
3	LED42	LED50	LED60	LED72	LED Light
4	EBT42	EBT50	EBT60	EBT72	Ember Bed Tray
5	WMB42	WMB50	WMB50	WMB72	Wall Mounting Bracket
6	B42	B42	B42	B42	GL Bracket B
7	N/A	N/A	C160	C160	GL Bracket C1
8	N/A	N/A	C260	C260	GL Bracket C2
9	CE42	CE50	CE50	CE50	Crystal Embers
10	FSA42	FSA50	FSA60	FSA72	Flame System Assembly
11	BHA42	BHA42	BHA42	BHA42	Blower and Heater Assembly
12	LRC12-02	LRC12-02	LRC12-02	LRC12-02	Remote Control
13	LRC42	LRC42	LRC42	LRC72	Circuit Board
14	WBL	WBL	WBL	WBL	LED Backlights
15	HWK42	HWK50	HWK50	HWK72	Hardware Kit
16	CP42	CP42	CP42	CP42	Control Panel
17	JR42	JR50	JR60	JR72	Wire Harness
18	TH42	TH42	TH42	TH42	Thermostat
19	RMOTER	RMOTER	RMOTER	RMOTER	Remote Control Receiver
20	WCKIT	WCKIT	WCKIT	WCKIT	Wire Cover Kit (Optional)

# Replacement Parts Diagram

## WARNING

FAILURE TO POSITION THE PARTS IN ACCORDANCE WITH THIS MANUAL OR FAILURE TO USE ONLY PARTS SPECIFICALLY APPROVED WITH THIS APPLIANCE MAY RESULT IN PROPERTY DAMAGE OR PERSONAL INJURY.



NOTE: Care must be taken when removing and disposing of any broken glass or damaged components. Be sure to vacuum up any broken glass from inside the appliance before operation.

# Troubleshooting

## **WARNING**

TURN OFF THE APPLIANCE COMPLETELY AND LET COOL BEFORE SERVICING. ONLY A QUALIFIED SERVICE PERSON SHOULD SERVICE AND REPAIR THIS ELECTRIC APPLIANCE.

Symptom	Problem	Test Solution
Dim or no flame/ Ember bed is not glowing or dimming	LED's are burnt out or malfunctioning	Inspect the LED's and replace them if necessary
No warm air coming out of appliance	Room temperature is higher than the appliance setting (if it is set to room temperature)	Reset temperature setting
	Heater is burnt out	Inspect the burner and heater assembly and replace it if necessary
Appliance turns off and will not turn on	Appliance has overheated and safety thermal switch has tripped	Unplug power cord and allow appliance to cool for 15 minutes, then plug in the power cord and turn the power ON
	House circuit breaker has tripped	Reset house circuit breaker
Appliance will not switch on when the Power button is turned ON	Appliance is not plugged into an electrical outlet	Check plug and plug it into a 120V outlet
	Appliance has overheated and safety thermal switch has tripped	Unplug power cord and allow appliance to cool for 15 minutes, then plug in the power cord and turn the power ON
	Circuit board is burnt out	Inspect the circuit board and replace it if necessary
Remote control does not work	Low battery	Replace batteries in remote control
Heater shuts off automatically	Room is too warm	The heater has a built-in thermostat so it will shut off automatically once the pre-set temperature is reached. It will also turn on automatically if the room temperature drops below the pre-set temperature.
Touch panel/ Remote Control do not work	The front glass has moved or is not secured properly	Unplug the appliance, if the appliance is recessed into the wall, shut off house circuit breaker. Ensure the front glass is in the correct position and is sitting flat to the appliance touch panel. After 10 seconds, plug in or turn on the appliance to reset it.

# Warranty



## IMPORTANT

For questions, concerns or problems with our product, please email our customer service department:

**customercare@jrhome.com**

DATED PROOF OF PURCHASE REQUIRED FOR WARRANTY SERVICE

This product is inspected, tested and carefully packaged to minimize the chance of damage during shipment. If a part (excluding light bulbs and fuses\*) within one year from the date of purchase proves to be defective in material or fabrication under normal use, the part will be repaired or replaced. The Company's obligation under the warranty is to replace or repair defective parts at our discretion. Any expenses or damage resulting from the installation, removal, or transportation of the product will be the responsibility of the owner and are not covered by this warranty. The owner assumes all other risks arising from the use or misuse of the product. The warranty will be void if the product damage or failure is deemed by the Company to be caused by accident, alteration, misuse, abuse, incorrect installation or removal, or connection to an incorrect power source by the owner. The Company neither assumes, nor authorizes and person or entity to assume for it any obligation or liability associated with its products. Light bulbs and fuses are not covered under this warranty. If you have any questions regarding the warranty or service, please call our toll free number: 1-800-561-5550.

Customer Service  
JR Home Products  
Unit 306 - 19100 Airport Way, Pitt Meadows, BC V3Y 0E2  
Toll Free: 1-800--561-5550  
E-mail: **customercare@jrhome.com**

**You MUST register your product to receive warranty service.  
Registration can be completed online at [www.jrhome.com](http://www.jrhome.com) or by mailing this for.**



---

### Warranty Registration Information Form / Formulaire d'enregistrement de la garantie

Name / Nom:  
Street / Adress:  
City / Ville:  
Province / Province:  
Postal Code / Code postal:

Daytime Phone # / No téléphone jour:  
Evening Phone # / No téléphone soir:

E-Mail Address / Courriel:

Product / Produit:  
Place of Purchase / Lieu de l'achat:  
Date of Purchase / Date de l'achat:  
Model # / No de modèle:  
Serial # / Numéro de série:

You **MUST** register your product to receive warranty service.

For warranty service, contact J&R Home Products at the address, phone numbers listed below within 30 days of purchase. Be sure to have your sales receipt and original date of purchase. All warranty service will be coordinated by J&R Home Products service center.

Vous **DEVEZ** enregistrer votre produit pour vous prévaloir de la garantie.

Afin de faire valoir la garantie, communiquez avec J&R Home Products à l'adresse et aux numéros indiqués ci-dessous dans les 30 jours suivant la date d'achat. Ayez en main votre reçu et la date d'achat. Toutes les demandes liées aux garanties seront traitées par le centre de service de J&R Home Products.

Please mail to / Veuillez poster le tout à : Parts & Service Department, J&R Home Products Ltd. Unit 306 - 19100 Airport Way, Pitt Meadows, BC V3Y 0E2

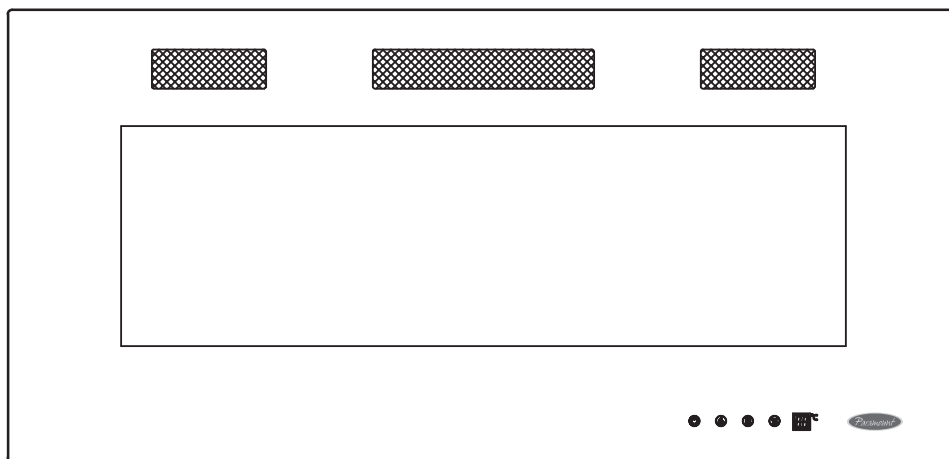


# Paramount



## Cheminée à fixation murale

Avec support de fixation réglable



*Manuel de l'utilisateur*

*\*Technologie de flamme brevetée & Conception d'évacuation par l'avant*

Numéro de modèle	Numéro d'article
JR42	EF-WM353 MO (42")
JR50	EF-WM350 MO (50")
JR60	EF-WM349 MO (60")
JR72	EF-WM348 (72")



### **LISEZ & CONSERVEZ CES INSTRUCTIONS**

Lisez attentivement et consultez avant d'assembler, d'installer, d'utiliser ou de réparer ce produit. Respectez toutes les consignes de sécurité et d'information.

**L'INCAPACITÉ À SUIVRE LES AVERTISSEMENTS ET INSTRUCTIONS D'UTILISATIONS CONTENUES DANS CE MANUEL PEUT ENTRAÎNER DES DOMMAGES MATÉRIELS OU DES BLESSURES**

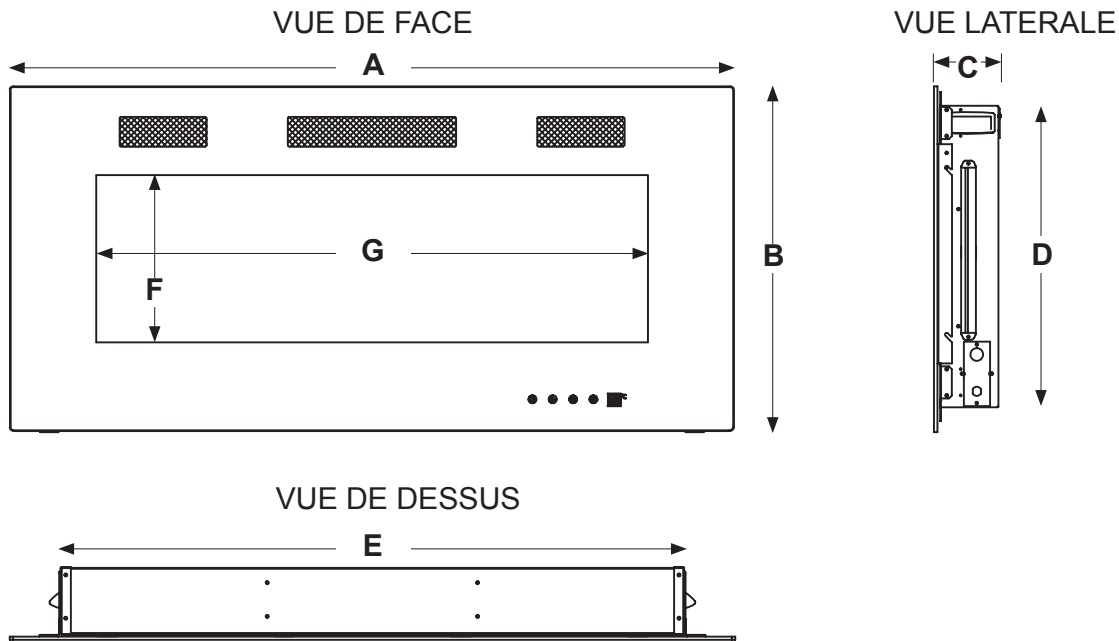
### **\*\* AVIS IMPORTANT\*\***

**Pour le service client et les questions concernant la garantie, veuillez contacter :  
customer care@jrhome.com**

## AVERTISSEMENT

- **CET APPAREIL EST BRULANT LORSQU'IL EST UTILISÉ ET PEUT CAUSER DE GRAVES BRÛLURES EN CAS DE CONTACT.**
- N'utilisez pas l'appareil avant d'avoir lu et compris les consignes d'utilisation. L'incapacité à utiliser l'appareil conformément aux instructions d'utilisation pourrait provoquer un incendie ou des blessures.
- Risque de brûlures. L'alimentation électrique de l'appareil doit être éteinte et l'appareil doit être laissé refroidir avant l'entretien. Pour débrancher l'appareil, tournez l'interrupteur sur arrêt, puis retirez la prise.
- N'installez pas, n'endommagez pas, ne retirez ou ne remplacez pas les composants.
- Ne brûlez aucun bois ou autres matériaux dans cet appareil.
- Les jeunes enfants doivent être surveillés attentivement quand ils sont dans la même pièce que l'appareil. Les tout-petits, les enfants en bas âge et autres peuvent être brûlés accidentellement par simple contact. Une barrière physique est recommandée s'il y a des personnes à risque qui se trouvent dans la maison. Pour restreindre l'accès à un appareil ou une poêle, installez une barrière de sécurité réglable pour garder les tout-petits, les jeunes enfants et autres personnes à risque hors de la pièce et loin des surfaces chaudes.
- Des vêtements ou autre matériaux inflammables ne doivent pas être placés sur ou à proximité de l'appareil.
- En raison de températures élevées, l'appareil doit être placé hors de la circulation et loin des meubles et des rideaux.
- Assurez-vous que vous avez intégré des mesures de sécurité adéquates pour empêcher les bébés / enfants en bas âge de toucher les surfaces chaudes.
- Même après que l'appareil soit éteint, le verre ou/et l'écran restera chaud pendant une période prolongée de temps.
- Vérifiez auprès de votre revendeur local spécialisé de cheminée pour des écrans de sécurité et des grilles de cheminée pour protéger les enfants des surfaces chaudes. Ces écrans et ces grilles doivent être fixés au sol.
- N'importe quels écrans et grilles de sécurités enlevés pour être réparé doivent être remplacés avant l'utilisation de l'appareil.
- Il est impératif que les compartiments de contrôle, le ventilateur de circulation et son passage dans l'appareil soient maintenus propres. L'appareil doit être inspecté avant utilisation et au moins tous les ans par un technicien qualifié. Un nettoyage plus fréquent peut être nécessaire en raison du grand nombre de peluche de la moquette, de la literie, etc.. La surface de l'appareil doit rester dégagé et exempt de matériaux combustibles, d'essence et d'autres vapeurs inflammables et liquides.
- En aucun cas cet appareil doit être modifié.
- N'utilisez pas cet appareil si des pièces ont été sous l'eau. Appelez immédiatement un technicien qualifié pour inspecter l'appareil et remplacez n'importe quelle partie du système de contrôle qui a été immergée.
- N'utilisez pas l'appareil lorsque la vitre est enlevée, fissurée ou cassée. Le remplacement du verre doit être réalisé par un technicien agréé ou qualifié.
- Ne frappez pas ou ne claquez pas la porte en verre lors de la fermeture.
- Gardez l'emballage hors de portée des enfants et placez le matériel de manière sécurisée. Comme avec tous les sacs en plastique, elles ne sont pas des jouets et doivent être tenus à l'écart des enfants et des nourrissons.
- L'entretien doit être effectué uniquement lorsque l'appareil est débranché du circuit d'alimentation.
- Débranchez toujours l'appareil quand il n'est pas en cours d'utilisation.
- N'utilisez pas cet appareil avec un cordon endommagé ou ne le branchez pas si l'appareil a été défectueux, a été abandonné ou endommagé de quelque façon. Retournez-le au service de réparation agréé pour examen, réparation ou réglage électrique ou mécanique.
- Ne l'utilisez pas à l'extérieur.
- Ne disposez jamais l'appareil là où il risque de tomber dans une baignoire ou un récipient contenant de l'eau.
- Ne passez pas le cordon sous un tapis. Ne recouvrez pas le cordon avec une carpe, chemin d'escalier ou similaire. Installez le cordon loin de la zone de circulation et dans un endroit où il ne va pas faire trébucher quelqu'un.
- Branchez correctement aux prises reliées à la terre uniquement.
- N'insérez pas ou ne laissez pas de corps étrangers pénétrer à l'intérieur de toute ventilation ou d'ouvertures car cela pourrait provoquer une électrocution ou un incendie, ou endommager l'appareil.
- Pour éviter les risques d'incendie, ne bloquez pas les bouches d'aération ou d'évacuation de quelque manière que ce soit. Ne l'utilisez pas sur une surface molle, comme un tapis, ce qui pourrait obstruer les ouvertures.
- Branchez toujours les appareils directement dans une prise murale. N'utilisez jamais une rallonge ou un bloc (prise / multiprise).
- Assurez-vous d'un éloignement suffisant par rapport aux matériaux combustibles qui sont conservés lorsque vous générez un manteau de cheminée ou des étagères au-dessus de l'appareil. Des températures élevées sur le mur ou dans les airs au-dessus de l'appareil peuvent provoquer la fonte, la décoloration ou des dommages aux décorations, à la télévision ou aux autres composants électroniques.

# Dimensions



## Liste des autorisations

Cet appareil a été testé selon les normes CSA pour les appareils électrique à l'intérieur des pièces à usage fixe et dédié à un emplacement spécifique aux États-Unis et au Canada. Si vous avez besoin d'assistance lors de l'installation, veuillez contacter votre revendeur local.

**REMARQUE :** Cet appareil doit être électriquement câblé et relié à la terre conformément aux codes locaux ou, en l'absence de codes locaux, conforme au Code National Électrique ANSI/NFPA 70-dernière édition aux États-Unis ou le Code canadien d'électricité, CSA C22.1 au Canada.

Article No.	DIMENSIONS DU PRODUIT							DIMENSIONS DU CARTON
	A	B	C	D	E	F	G	Largeur x Profondeur x Hauteur
EF-WM353 MO	42"	20"	4.2"	18.8"	36.10"	9.72"	31.97"	49" x 10.24" x 25.59"
EF-WM350 MO	50"	20"	4.2"	18.8"	44.10"	9.72"	39.72"	56.89" x 10.24" x 25.59"
EF-WM349 MO	60"	20"	4.2"	18.8"	54.10"	9.72"	50"	66.93" x 10.24" x 25.59"
EF-WM348	72"	23.25"	4.2"	20.27"	66.10"	10.24"	60"	74.80" x 6.5" x 25.28"

Article No.	Poids net	Poids brut
EF-WM353 MO	22 KGS	28 KGS
EF-WM350 MO	26 KGS	33.5 KGS
EF-WM349 MO	31 KGS	39 KGS
EF-WM 348	40 KGS	48 KGS

Description	Cheminée électrique
Type	3 types de fixations du montage mural
Tension	120V CC
Watts	1500W MAX
Amps	15 AMP Circuit de mise à la terre

## Instructions générales

### AVERTISSEMENT

LISEZ CES INSTRUCTIONS AVANT DE COMMENCER L'INSTALLATION. LEURS NON-RESPECT PEUVENT CAUSER LE DYSFONCTIONNEMENT DE L'APPAREIL, CE QUI PEUT ENTRAÎNER DES BLESSURES GRAVES ET/OU DES DOMMAGES MATÉRIELS.

TOUS LES APPAREILS ÉLECTRIQUES ONT DES PIÈCES BRULANTES ET FORMANT DES ARCS ELECTRIQUES OU DES ÉTINCELLES À L'INTÉRIEUR. NE L'UTILISEZ PAS DANS LES ZONES OÙ SE TROUVENT DE L'ESSENCE, PEINTURE OU D'AUTRES LIQUIDES INFLAMMABLES.

CET APPAREIL ÉLECTRIQUE EST TESTÉ ET DECRIT À ÊTRE UTILISER UNIQUEMENT AVEC DES ACCESSOIRES OPTIONNELS MENTIONNÉS DANS CES INSTRUCTIONS. L'UTILISATION D'ACCESSOIRES NON TESTÉS SPÉCIFIQUEMENT POUR CET APPAREIL ÉLECTRIQUE POURRAIT ANNULER LA GARANTIE ET/OU RÉSULTER D'UN DANGER POUR LA SÉCURITÉ.

NE L'OUVREZ PAS. IL Y A UN RISQUE DE CHOC ÉLECTRIQUE. AUCUNE PIÈCE RÉPARABLE PAR L'UTILISATEUR NE SE TROUVE À L'INTÉRIEUR.

N'UTILISER PAS DE CORDONS ÉLECTRIQUES ENDOMMAGÉS.

L'ENTRETIEN DOIT ÊTRE EFFECTUÉ UNIQUEMENT LORSQUE L'APPAREIL EST DÉBRANCHÉ DU CIRCUIT D'ALIMENTATION.

POUR EMPECHER LE CHOC ÉLECTRIQUE ASSEMBLEZ LA LARGE LAME DU CONNECTEUR À L'EMPLACEMENT LARGE DU RÉCIPIENT ET INSÉREZ-LA COMPLÈTEMENT.

1. Avant de brancher votre appareil sur une prise électrique, assurez-vous que les disjoncteurs de la maison pour la prise soient enclenchés.
2. L'appareil peut émettre une odeur légère, inoffensive lorsqu'il est utilisé pour la première fois. Cette odeur est normale et elle est causée par le chauffage initial des éléments de l'appareil interne et ne se produira pas à nouveau.
3. Si votre appareil n'émet pas de chaleur, consultez la section fonctionnement de ce manuel pour plus d'informations.
4. Utilisez un para-sur-tenseur certifié CSA ou UL.
5. Ne faites pas passer le cordon d'alimentation directement sous l'appareil.

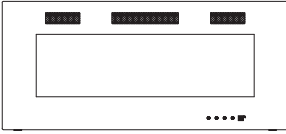
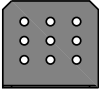
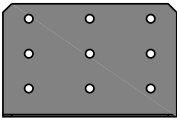
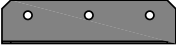


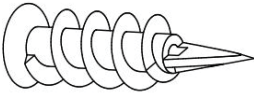
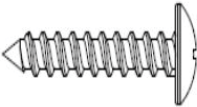


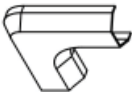

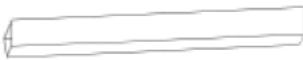
Cet appareil électrique est conforme aux normes de construction et de sécurité du H.U.D. pour une application dans les maisons préfabriquées lorsqu'il est installé conformément à ces instructions.

**Comme avec la plupart des appareils électroniques, votre nouvelle cheminée électrique a été conçue pour fonctionner à une température entre 5° C (41° F) et 35° C (95° F). Pendant les mois les plus froids de l'hiver, laissez la cheminée à température ambiante avant de la mettre en marche.**

## Déballage et test de l'appareil

Retirez soigneusement l'appareil de la boîte. Avant d'installer l'appareil, testez pour s'assurer que l'appareil fonctionne correctement en branchant le cordon d'alimentation dans une prise idéalement située reliée terre de 120 volts.

# Liste des pièces du matériel

 <p><b>A-Cheminée</b></p> <p>EF-WM353 MO (42") x1            EF-WM350 MO (50") x1            EF-WM349 MO (60") x1            EF-WM348 (72") x1</p>	 <p><b>B-Supports latéraux</b></p> <p>EF-WM353 MO (42") x4            EF-WM350 MO (50") x4            EF-WM349 MO (60") x4            EF-WM348 (72") x4</p>	 <p><b>C1 - Supports du Dessus/dessous</b></p> <p>EF-WM349 MO (60") x6            EF-WM348 (72") x8</p>	 <p><b>C2 -Supports du Dessus/dessous</b></p> <p>EF-WM349 MO (60") x6            EF-WM348 (72") x8</p>
 <p><b>D- Support de montage</b></p> <p>EF-WM353 MO (42") x1            EF-WM350 MO (50") x1            EF-WM349 MO (60") x1            EF-WM348 (72") x1</p>	 <p><b>E- Vis à bois</b></p> <p>EF-WM353 MO (42") x9            EF-WM350 MO (50") x13            EF-WM349 MO (60") x13            EF-WM348 (72") x16</p>	 <p><b>F- Ancres de cloison sèche</b></p> <p>EF-WM353 MO (42") x9            EF-WM350 MO (50") x13            EF-WM349 MO (60") x13            EF-WM348 (72") x16</p>	 <p><b>G- ST4x12 Vis à métaux</b></p> <p>EF-WM353 MO (42") x8            EF-WM350 MO (50") x8            EF-WM349 MO (60") x26            EF-WM348 (72") x32</p>
 <p><b>H- Télécommande</b></p> <p>EF-WM353 MO (42") x1            EF-WM350 MO (50") x1            EF-WM349 MO (60") x1            EF-WM348 (72") x1</p>	 <p><b>I- Cristaux</b></p> <p>EF-WM353 MO (42") x1            EF-WM350 MO (50") x1            EF-WM349 MO (60") x1            EF-WM348 (72") x1</p>		
<p><i>FACULTATIF</i></p>  <p><b>J- Cache-câbles d'angle</b></p> <p>EF-WM353 MO (42") x2            EF-WM350 MO (50") x2            EF-WM349 MO (60") x2            EF-WM348 (72") x2</p>	<p><i>FACULTATIF</i></p>  <p><b>K- Cache-câbles d'angle</b></p> <p>EF-WM353 MO (42") x2            EF-WM350 MO (50") x2            EF-WM349 MO (60") x2            EF-WM348 (72") x2</p>	<p><i>FACULTATIF</i></p>  <p><b>L- Cache-câbles d'angle</b></p> <p>EF-WM353 MO (42") x2            EF-WM350 MO (50") x2            EF-WM349 MO (60") x2            EF-WM348 (72") x2</p>	<p><i>Pour kit FACULTATIF            pieces J, K, L            (Article No: EF-WC)            Contact :</i></p> <p><b>1-800-561-5550</b></p>

## Emplacement de l'appareil

### **AVERTISSEMENT**

EN RAISON DES TEMPÉRATURES ÉLEVÉES, CET APPAREIL ÉLECTRIQUE DOIT ÊTRE PLACÉ HORS DU PASSAGE DES GENS. GARDEZ LES MATIÈRES INFLAMMABLES TELS QUE LES MEUBLES, LES OREILLERS, LA LITERIE, LES PAPIERS, LES VÊTEMENTS ET LES RIDEAUX A MOINS DE 36" DE L'AVANT DE L'APPAREIL.

NE PLACEZ JAMAIS L'APPAREIL ÉLECTRIQUE OÙ IL RISQUE DE TOMBER DANS UNE BAIGNOIRE OU AUTRE CONTENANT D'EAU.

PORTEZ DES GANTS DE SÉCURITÉ ET DES LUNETTES DE SÉCURITÉ DE PROTECTION PENDANT L'INSTALLATION ET L'ENTRETIEN.

POUR ÉVITER TOUT CONTACT AVEC UNE ISOLATION QUI S'AFFAISSE OU SE DTACHE, L'APPAREIL ÉLECTRIQUE NE DOIT PAS ÊTRE INSTALLÉ CONTRE LE PARE-VAPEUR OU UNE ISOLATION EXPOSÉE. LA SURCHAUFFE LOCALISÉE PEUT SURVENIR ET PEUT ENTRAÎNER UN INCENDIE.

N'EXPOSEZ PAS L'APPAREIL ÉLECTRIQUE AUX ÉLÉMENTS (TELS QUE LA PLUIE, ETC.)

## Mise à la terre de l'appareil

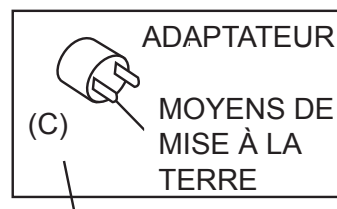
Cet appareil fonctionne sur 120 Volts. Le cordon possède une prise comme indiqué au (A). Un adaptateur comme indiqué au (C) est disponible pour brancher les prises de type tripale mise à la terre de deux fentes. La prise étendue de l'adaptateur de terre verte doit être connectée à la terre de façon permanente comme une boîte de sortie mise à la terre. L'adaptateur ne doit pas être utilisé si une prise mise à la terre à trois fentes est disponible.

Pour déconnecter l'appareil, tournez l'interrupteur sur arrêt, puis retirez la prise.

### MÉTHODES DE MISE À LA TERRE



### FICHE DE MISE À LA TERRE



PAS AUTORISÉ AU CANADA

## Installation

### **AVERTISSEMENT**

RISQUE D'INCENDIE ! LE CORDON D'ALIMENTATION NE DOIT PAS ÊTRE PINCÉ CONTRE UNE ARÊTE VIVE. FIXEZ LE CORDON POUR ÉVITER DE TRÉBUCHER OU DE S' Y ACCROCHER POUR RÉDUIRE LES RISQUES D'INCENDIE, DE CHOC ÉLECTRIQUE OU DE BLESSURE. NE DISPOSEZ PAS LE CORDON SOUS UN TAPIS. NE RECOUVREZ PAS LE CORDON PAR DES CARPETTES OU SIMILAIRES. RANGEZ LE CORDON LOIN DES ZONES DE CIRCULATION ET OÙ IL NE SERA PAS PIETINNÉ.

RISQUE D'INCENDIE ! POUR ÉVITER LES RISQUES D'INCENDIE, N'OBSTRUEZ PAS L'ADMISSION D'AIR OU L'ÉCHAPPEMENT DE QUELQUE MANIÈRE QUE CE SOIT. NE L'UTILISEZ PAS SUR DES SURFACES MOLLES QUI PEUVENT OBSTRUER LES OUVERTURES.

RISQUE D'INCENDIE ! NE PROJETEZ PAS OU NE PLACEZ PAS UNE ISOLATION CONTRE L'APPAREIL.

CET APPAREIL ÉLECTRIQUE EST TESTÉ ET DECRIT POUR ÊTRE UTILISER UNIQUEMENT AVEC DES ACCESSOIRES OPTIONNELS APPROUVÉS. L'UTILISATION D'ACCESSOIRES NON TESTÉS SPÉCIFIQUEMENT POUR CET APPAREIL ÉLECTRIQUE POURRAIT ANNULER LA GARANTIE ET/OU RÉVALUER D'UN DANGER POUR LA SÉCURITÉ.

SI LES INFORMATIONS CONTENUES DANS CES INSTRUCTIONS NE SONT PAS SUIVIES EXACTEMENT, UN INCENDIE OU UNE EXPLOSION PEUT EN RÉVALUER EN CAUSANT DES DOMMAGES MATÉRIELS, DES BLESSURES OU LA MORT. NE STOCKEZ PAS OU N'UTILISEZ PAS D'ESSENCE OU AUTRES VAPEURS INFLAMMABLES À PROXIMITÉ DE CET APPAREIL OU DE TOUT AUTRE APPAREIL.

CET APPAREIL EST LOURD. IL EST FORTEMENT RECOMMANDÉ DEUX PERSONNES POUR INSTALLER CET APPAREIL.

LES BOUCHES DE CHAUFFAGE SUR L'APPAREIL ÉLECTRIQUE NE PEUVENT, EN AUCUNE FAÇON, ÊTRE COUVERTES CAR IL PEUT CRÉER UN RISQUE D'INCENDIE.

NE PLACEZ PAS LE CORDON D'ALIMENTATION HORIZONTALEMENT, DIRECTEMENT SOUS L'APPAREIL.

**Votre appareil JR42/50/60/72 est un appareil à montage mural. Choisissez un emplacement approprié qui n'est pas sensible à l'humidité et loin des rideaux, des meubles et des endroits à forte circulation de gens.**

**REMARQUE : Suivez tous les codes électriques locaux et nationaux.**

### Distance minimale aux matériaux Combustibles

#### Mesures depuis la façade en verre

Dessous	0"	Dessus	8" (203 mm) du manteau
Côté	0"	Dessus	8" (203 mm) du plafond
Arrière	0"		

### Distances minimales du manteau

### **AVERTISSEMENT**

LORS DE L'UTILISATION DE PEINTURE OU DE VERNIS POUR LA FINITION DU MANTEAU, LA PEINTURE OU LE VERNIS DOIT ÊTRE RÉVALUER À LA CHALEUR POUR ÉVITER LA DÉCOLORATION.

# Options Supports de montage réglable et Options d'Installation

**REMARQUE :** Il est recommandé que les murs de l'enceinte de l'appareil soient terminés (ie. cloison sèche) pour éviter que l'isolation soit exposée ou que des pare-vapeur entrent en contact avec l'appareil. Ceci assurera que l'éloignement des matériaux combustibles soit maintenu.

FIG. 2

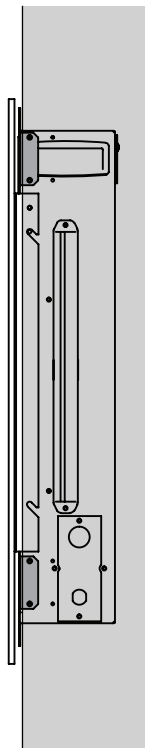


FIG. 3

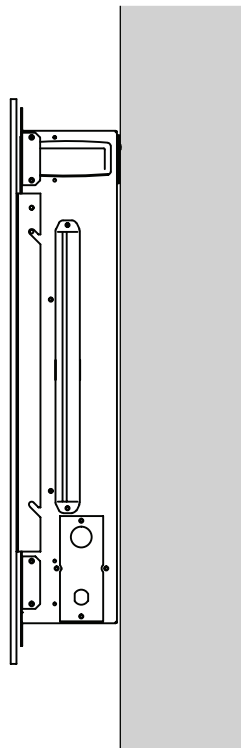
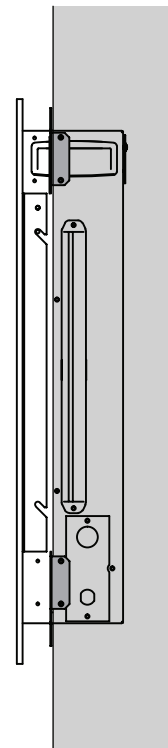


FIG. 4



VUE DE CÔTÉ

VUE DE DESSUS



## OPTION 1

**Pause complète :**

- Aspect aligné au mur
- Pas d'utilisation de rétro-éclairage

Pour les instructions d'installation se référer à la Page 33

## OPTION 2

**Aucune découpe :**

- Installation facile
- Pleine utilisation du rétro-éclairage
- Facilité d'entretien

Pour les instructions d'installation se référer à la Page 36

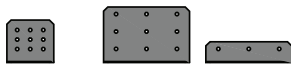
## OPTION 3

**Découpe partielle :**

- Écart de 1" pour usages multiples
- Pas d'utilisation de rétro-éclairage
- Facilité d'entretien

Pour les instructions d'installation se référer à la Page 33

PIÈCES NÉCESSAIRES

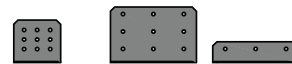


**B + C1 ou C2**

(JR42/JR50 : B uniquement)



**D**



**B + C1 ou C2**

(JR42/JR50 : B uniquement)



## Option 1 : Encastrement au même niveau que l'appareil dans le mur

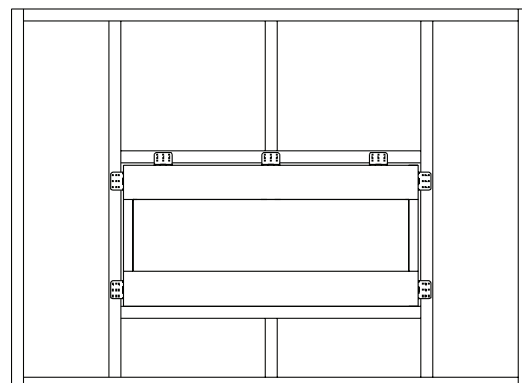
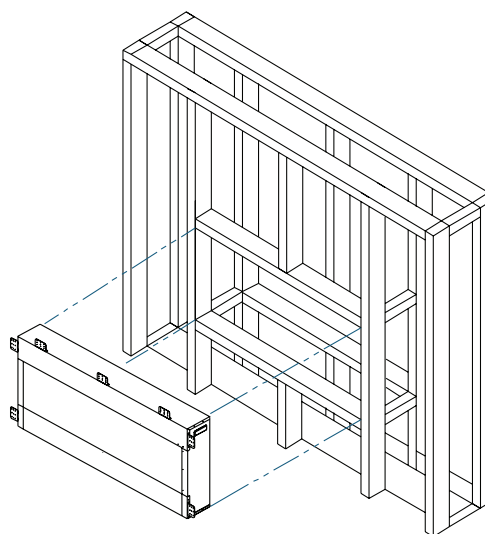
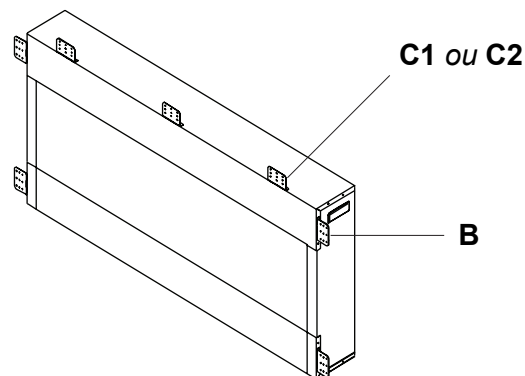
En raison des nombreux matériaux de finitions différentes utilisés sur les murs, il est fortement recommandé que vous consultiez votre constructeur local avant d'installer cet appareil dans le mur.

Sélectionnez un emplacement qui n'est pas sujette à l'humidité et est situé au moins à 36" (914 mm) des matières combustibles comme les rideaux, les meubles, la literie, le papier etc..

1. Mesurez l'appareil et créez une esquisse sur le mur avec le circuit électrique.
2. Retirez la vitre avant (Voir Page 39 pour obtenir des instructions).
3. Enlevez la LED de rétro-éclairage (Voir Page 40 pour obtenir des instructions).
4. Tenez l'appareil vers le haut pour s'assurer qu'elle rentre dans le cadrage.
5. **Pour bien encastrer l'appareil dans le mur :**
  - A. Placez et vissez les côtés des supports du constructeur (représentées en gris sur la Page 34) à l'ensemble des trous les plus proches de la vitre avant comme sur la Figure 2 sur Page 32.
  - B. Utilisez les vis 8-24 (fournies) pour verrouiller l'appareil dans le mur du côté tourné vers l'extérieur.
  - C. Installez le support, puis réinstallez la vitre avant.

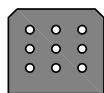
6. **Pour encastrement partiellement l'appareil dans le mur (Option 3) :**
  - A. Placez et vissez les côtés des supports du constructeur (représentées en gris sur la Page 34) pour la deuxième série de trous de la vitre avant comme sur la Figure 4, Page 32.
  - B. Utilisez les vis 8-24 (fournies) pour verrouiller l'appareil dans le mur du côté tourné vers l'extérieur.
  - C. Installez le support, puis réinstallez la vitre avant.

**REMARQUE : Les deux séries de trous sont fournis pour encastrer dans le mur. La structure de la paroi peut limiter dans quelle mesure l'appareil peut être encastré. Utilisez la série appropriée de trous lors de l'encastrement au cadre, il peut être nécessaire d'utiliser les quatre trous sur le haut et le bas.**

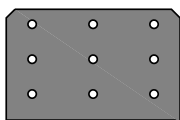


VUE DE FACE

# Positionnement des supports du constructeur réglable

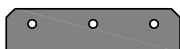


**B: Supports latéraux**



**C1: Support supérieur (grand)**

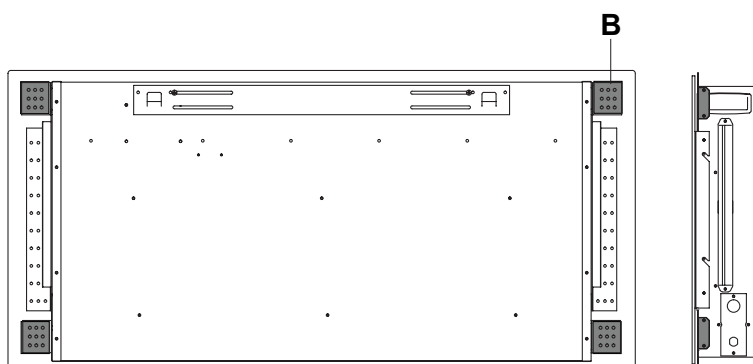
Utilisation pour plus de zone de sécurité et de surface



**C2: Support supérieur (petit)**

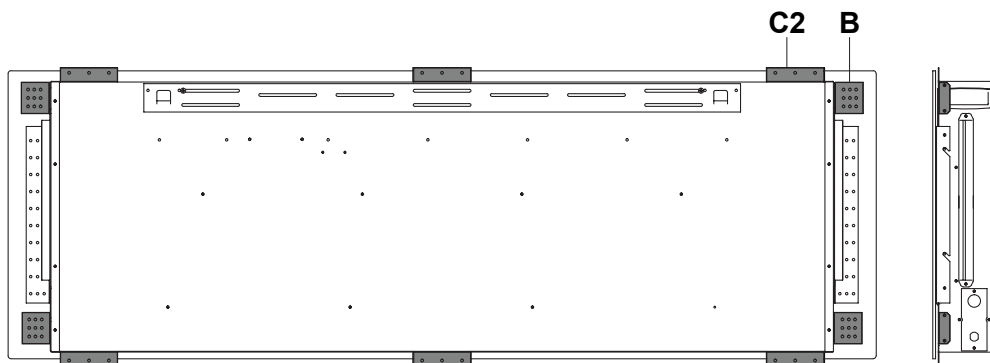
Utilisez lorsqu'aucune finition du mur n'est appliquée.  
Sera caché derrière une vitre.

**EF-WM353 MO,  
EF-WM350 MO**

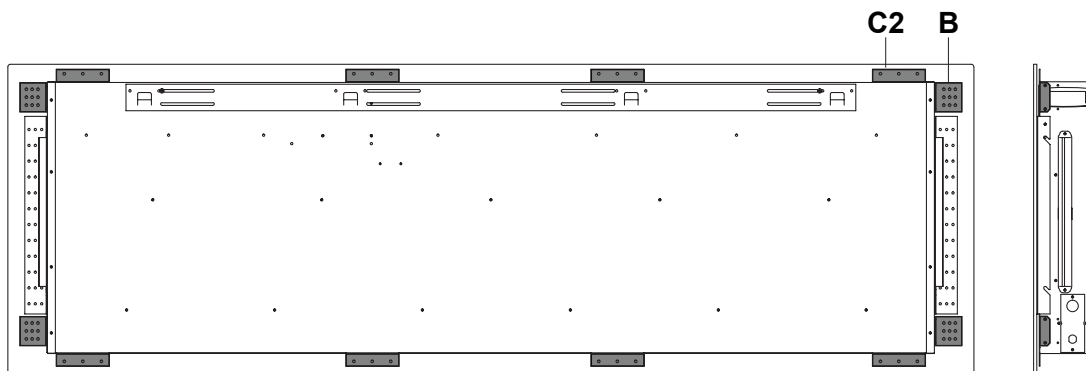


*Pose du support du constructeur  
montré en gris pour chaque modèle*

**EF-WM349 MO**



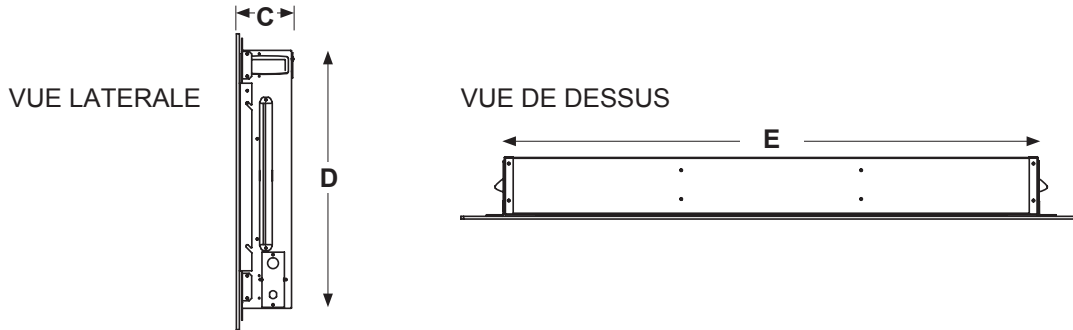
**EF-WM348**



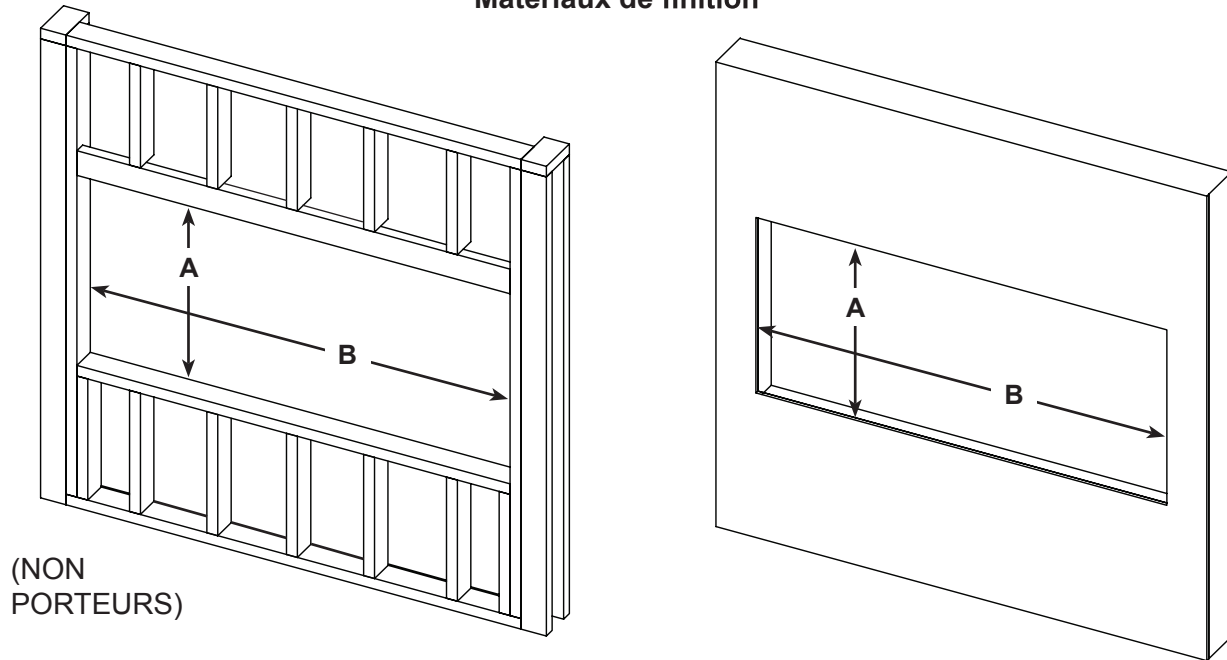
# Distance minimale aux matériaux combustibles

<b>Mesures depuis la façade en verre</b>	
Côtés, arrière et dessus	0"

## Encadrement



### Matériaux de finition



### Recommended Framing Dimensions

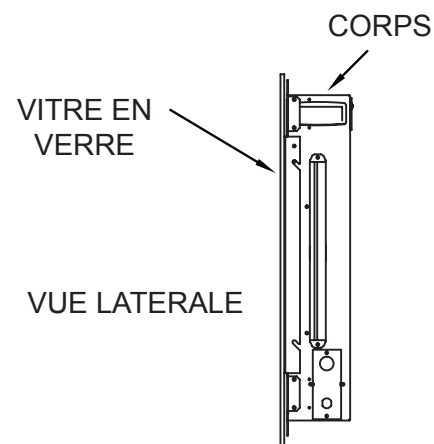
Article No.	A	B	C	D	E
EF-WM353 MO	19.3" (49cm)	38.60" (98cm)	4.2"	18.8"	36.10"
EF-WM350 MO	19.3" (49cm)	46.60" (118.4cm)	4.2"	18.8"	44.10"
EF-WM349 MO	19.3" (49cm)	56.60" (143.8cm)	4.2"	18.8"	54.10"
EF-WM348	21.27" (52.8cm)	68.60" (174.2cm)	4.2"	18.8"	66.10"

**NOTE to installer:** Please allow extra clearance for the power cord and easy installation.

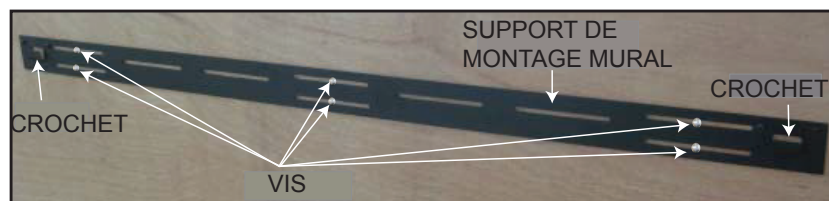
## Option 2 : Accrocher l'appareil au mur

En raison des nombreux différents matériaux utilisés sur différents murs, il est fortement recommandé que vous consultiez votre constructeur local avant d'installer cet appareil au mur.

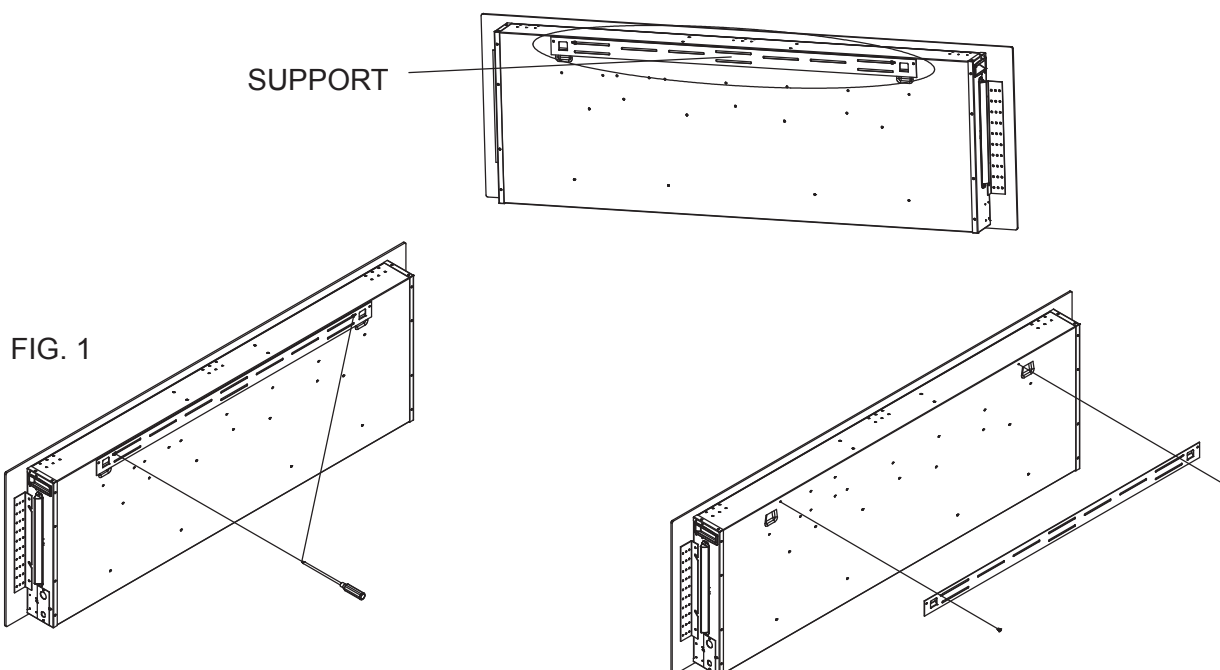
1. Sélectionnez un emplacement qui n'est pas sujette à l'humidité et est situé au moins à 36" (914 mm) de matières combustibles comme les rideaux, les meubles, la literie, le papier, etc..
2. Ayez deux personnes pour tenir l'appareil contre le mur pour déterminer l'emplacement final.
3. Retirez le support à l'arrière de l'appareil en retirant les deux vis, reportez-vous à la Figure 1.
4. Marquez l'emplacement, puis montez le support sur le mur avec les 8 vis fournies. Ce support DOIT avoir les crochets faisant face vers le haut et être à niveau.



**REMARQUE : Il est fortement recommandé que le support de montage soit vissé dans les montants du mur lorsque c'est possible. Si les poteaux du mur ne peuvent être utilisés, s'assurer que les chevilles en plastique fournis sont utilisées pour fixer le support au mur et que le support soit sécurisé.**



5. Avec le support de montage mural installé, ayez deux personnes pour soulever l'appareil et insérez les deux crochets sur le support dans les deux fentes à l'arrière de l'appareil.
6. Vérifiez la stabilité de l'appareil pour s'assurer que le support ne va pas se détacher du mur.



# Installation du raccordement fixe

## AVERTISSEMENT

ÉTEIGNEZ L'APPAREIL COMPLÈTEMENT ET LAISSEZ REFROIDIR AVANT L'ENTRETIEN. SEUL UN TECHNICIEN QUALIFIÉ DOIT ENTREtenir ET RÉPARER CET APPAREIL ÉLECTRIQUE.

### BRANCHEMENT PAR RACCORDEMENT FIXE

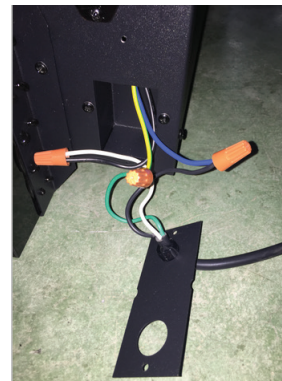
S'il le raccordement fixe est nécessaire, un électricien qualifié doit supprimer le cordon de branchement et raccorder l'appareil directement au câblage de la maison.

Cet appareil doit être connecté électriquement et relié à la terre conformément aux codes locaux, si le raccordement fixe a été effectué. En l'absence de codes locaux, utilisez l'actuel CODE ÉLECTRIQUE CANADIEN CSA C22.1 au Canada ou l'actuel ANSI/NFPA 70 du CODE ÉLECTRIQUE NATIONAL aux États-Unis.

#### COVERCLE



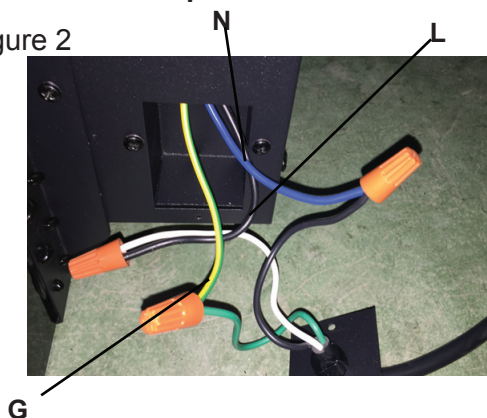
Figure 1



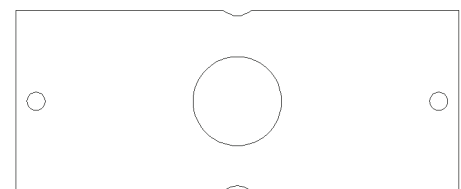
1. Retirez le couvercle du côté droit de l'appareil en retirant les 4 vis, comme illustré ci-dessus.
2. Enlevez les capuchons de connexion du cordon d'alimentation. Le cordon d'alimentation peut être retiré.
3. Prenez le nouveau couvercle, fourni dans le paquet de l'emballage. Percez un trou de 7/8" (22 mm) et installez un raccord, dans la boîte de jonction. Fixez avec une pince la boîte de connecteur aux câbles d'alimentation.
4. En utilisant les connecteurs de fils, connecter les fils de terre vert (G) et les fils blancs (N) ensemble, puis les fils noirs dénudés (L) et puis référez-vous à la Figure 2.
5. Replacez le couvercle à l'aide des quatre vis, comme illustré à la Figure 1.

**REMARQUE :** Laissez assez de fil pour que l'appareil peut être retiré de l'enceinte sans débrancher l'alimentation électrique.

Figure 2

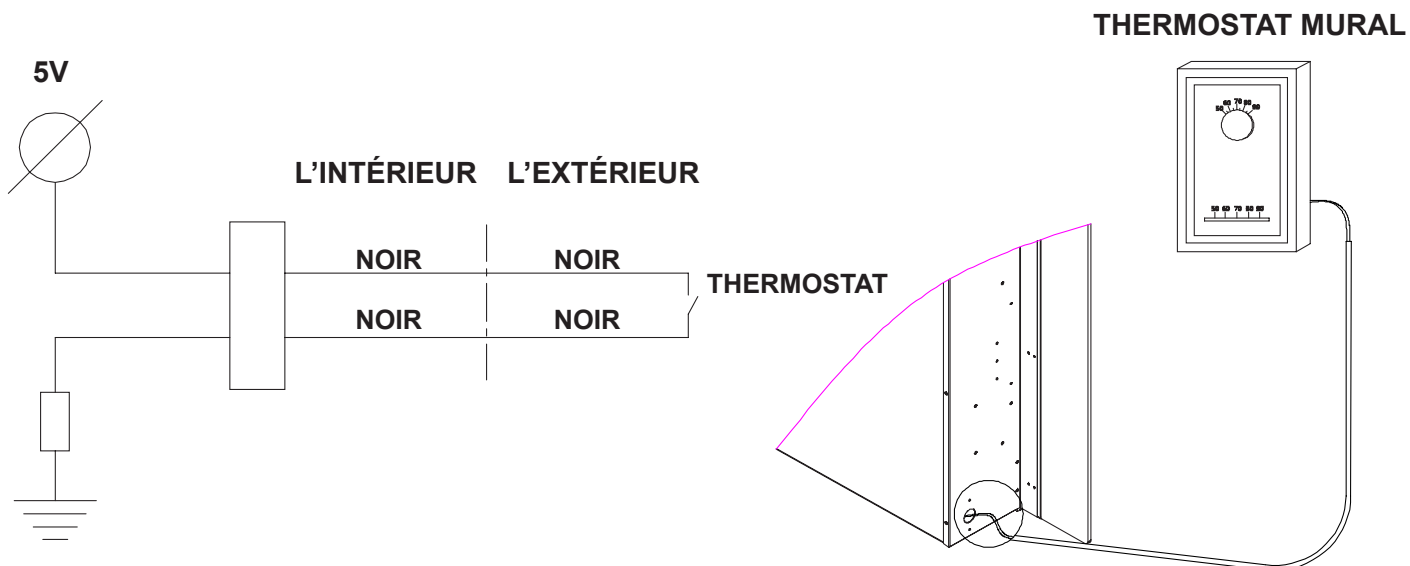


7/8" (22,2 mm) de diamètre



## AVERTISSEMENT

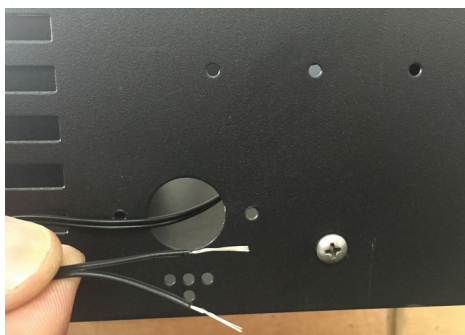
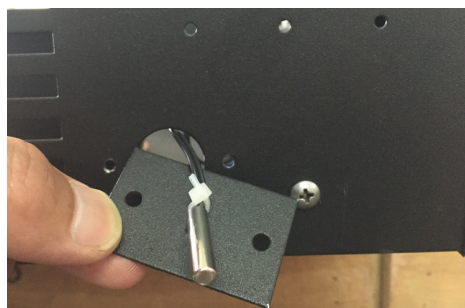
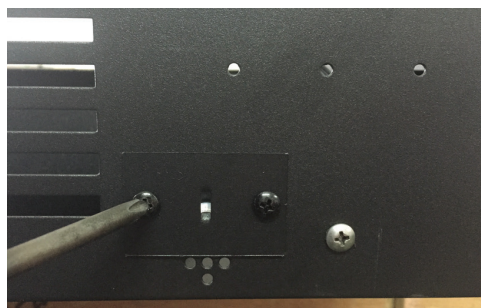
ÉTEIGNEZ L'APPAREIL COMPLÈTEMENT ET LAISSEZ REFROIDIR AVANT L'ENTRETIEN. SEUL UN TECHNICIEN QUALIFIÉ DOIT ENTREtenir ET RÉPARER CET APPAREIL ÉLECTRIQUE.



**REMARQUE :** Raccordez le thermostat mural avant d'installer la cheminée.

### CÂBLAGE DU THERMOSTAT MURAL (24 V CC)

1. Coupez le disjoncteur.
2. Retirez le couvercle situé sur le côté gauche de l'appareil.
3. Tirez le fil et coupez le fil à l'intérieur du thermostat. Connectez les fils sur le thermostat mural comme indiqué ci-dessous. Suivez les instructions fournies avec le kit de l'interrupteur mural.





## Finition

### AVERTISSEMENT

LE REPARATION DE L'ALIMENTATION SECTION DOIT ÊTRE TERMINÉ AVANT LA FIN POUR ÉVITER LA RECONSTRUCTION.

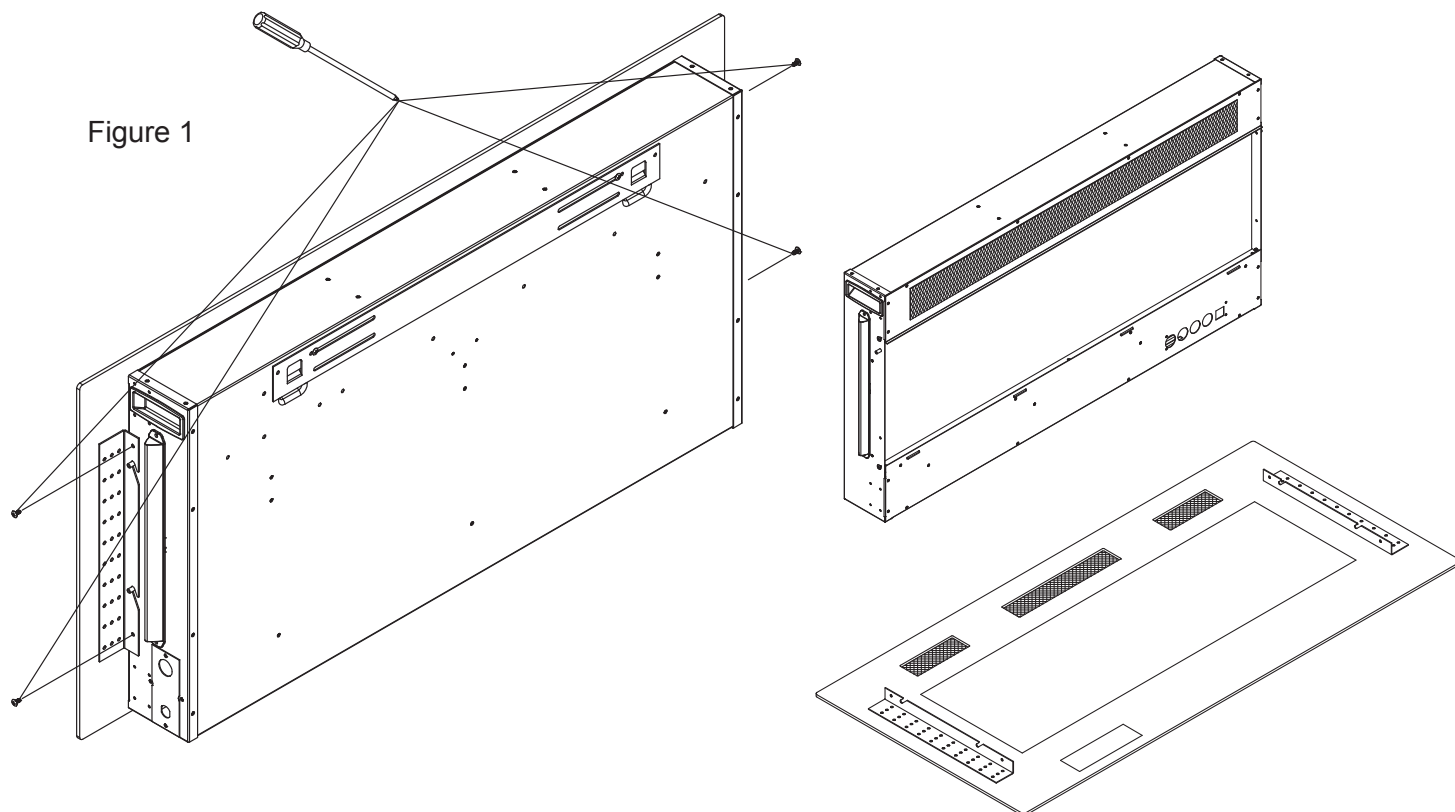
LES BOUCHES DE CHAUFFAGE ET D'AÉRATION NE PEUVENT ÊTRE COUVERTES EN TOUTES CIRCONSTANCES.

## Suppression de la vitre avant / Installation

### AVERTISSEMENT

AVANT QUE LA VITRE AVANT EST INSTALLÉE OU SUPPRIMÉE, DÉBRANCHEZ L'APPAREIL ET ATTENDEZ JUSQU'À CE QUE L'APPAREIL EST FROID AU TOUCHER. LA VITRE EST PEUT ÊTRE LOURDE ET FRAGILE DONC MANIPULEZ-LA AVEC SOIN.

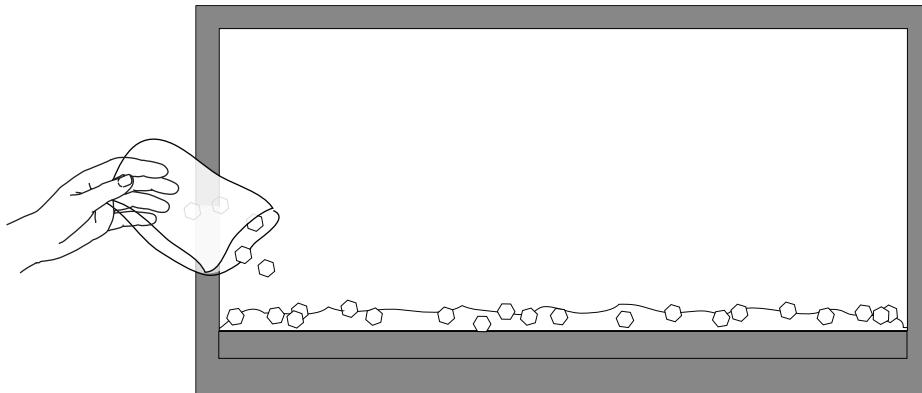
1. Enlevez les 4 vis sur les côtés de l'appareil comme sur la Figure 1.
2. Ayez deux personnes pour soulever la vitre et la poser loin de l'appareil, tout en tenant la vitre à la verticale lors du transport. Avec soin, reposez la vitre sur une surface douce et non abrasive.
3. Installez les braises de cristal (reportez-vous aux instructions à la page 40)
4. Ré-installez la vitre avant en alignant les fentes avec les broches sur le côté de l'appareil. Appuyez sur la vitre vers le bas pour la fixer.
5. Fixez solidement la vitre avant à l'aide des 4 vis comme sur la Figure 1. (Si la vitre est entièrement encastree, ce n'est pas nécessaire)



## Installation des braises de cristal

La vitre avant doit être enlevée et l'appareil doit être fixé sur son emplacement définitif avant que les braises de cristal ne soient installées.

1. Placez prudemment les braises de cristal dans le fond du bac sur le devant de l'appareil, tel qu'illustré. Appliquez une couche uniforme d'un côté à l'autre.



*Mettez à niveau votre cheminée en remplaçant vos braises de cristaux de résine avec nos véritables braises de cristal de diamant pour donner à votre appareil l'apparence plus exquis et élégant. Pour commander nos braises de diamant, contactez notre service à la clientèle sans frais au 1-866-592-6667.*

## Enlèvement de la LED de rétro-éclairage

La vitre avant doit être enlevée et l'appareil doit être fixé sur son emplacement définitif avant que les braises de cristal ne soient installées.

1. Dévissez les deux vis comme sur la Figure A.
2. Soulevez le couvercle de la LED et l'enlevez.
3. Débranchez les fils qui sont connectés à la platine. Le démontage est terminé.





# Instructions de fonctionnement

## AVERTISSEMENT

LORSQUE L'APPAREIL EST EN MARCHÉ, NE RETIREZ PAS LA PAROI VITRÉE. CELA ENTRAÎNERA UN DYSFONCTIONNEMENT DE LA TÉLÉCOMMANDE ET DU PANNEAU TACTILE.

Une fois que l'appareil a été branché dans une prise électrique reliée à la terre, il est prêt à fonctionner.

**REMARQUE : Assurez-vous que les disjoncteurs de la maison pour l'alimentation soient allumés. Dans le cas d'une panne de courant, l'appareil va perdre sa fonction de mémoire et rétablira le mode usine lorsque le courant est rétabli.**

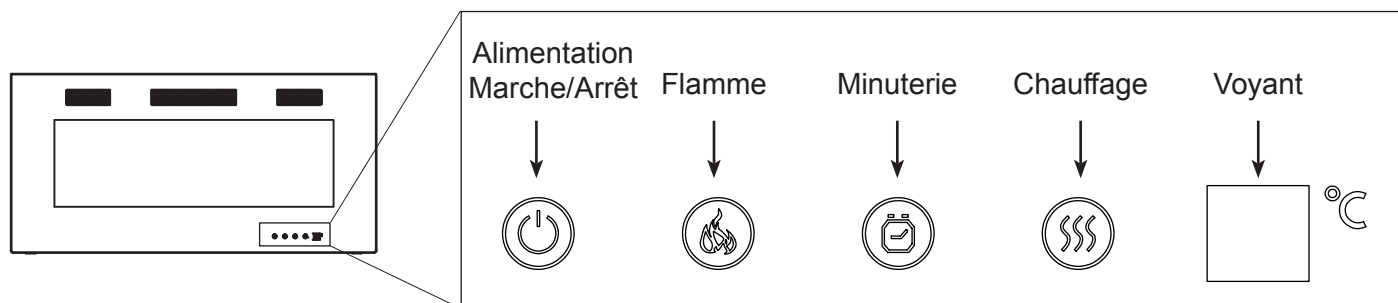
## Interrupteur d'alimentation principal



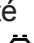

Pour allumer le moniteur de l'appareil :

1. Branchez le cordon d'alimentation.
2. Mettez l'interrupteur en marche (situé sur le côté droit inférieur avant de l'appareil).
3. Vérifiez que l'alimentation est enclenchée lorsque les deux sonneries sont amorcées.

## Fonctionnement avec écran tactile

L'appareil peut être contrôlé soit par les commandes du panneau tactile qui se trouvent sur le côté droit de la vitre frontale ou par la télécommande.





1. Appuyez sur “  ” pour mettre en marche et arrêter l'appareil.
2. Appuyez sur “  ” plusieurs fois pour régler entre Moyen, Faible, Marche/Arrêt, ou les options de haute luminosité
3. Appuyez sur “  ” plusieurs fois pour définir la durée de fonctionnement à 30 min, 1h, 2h, 3h, 4h, 5h, 6h, 7h, 8h ou OFF.
4. Appuyez sur “  ” plusieurs fois pour définir les températures ambiantes à 18° C, 19° C, 20° C, 21° C, 22° C, 23° C, 24° C, 25° C, 26° C, 27° C, 28° C, ON ou OFF. Lors du réglage de la température, le nombre se mettra à clignoter.

**Remarque : Les boutons du panneau tactile seront allumés lorsque vous appuyez. La lumière s'estompe en 5 secondes après avoir appuyé.**

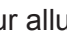


## Utilisation multifonctionnel avec la télécommande

### Tournez sur ON/OFF l'appareil :

1. Assurez-vous que les étapes 1-3 de la procédure « Interrupteur d'alimentation principal » sont tout d'abord suivis.
2. Appuyez sur le bouton "  " de la télécommande pour mettre en marche la flamme et les LED du lit de braise.
3. Appuyez sur le bouton "  " pour éteindre la flamme et les LED du lit de braise.
4. Vérifiez que les feux soient éteints.
5. Coupez l'interrupteur de l'alimentation principale.
6. Débranchez le cordon d'alimentation.





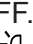

*Remarque : Les LED sont les plus brillants quand l'élément chauffant est coupée. L'interrupteur d'alimentation sur l'appareil doit être allumé pour que la télécommande fonctionne.*

### Changement de la température :

1. Assurez-vous que les étapes 1-2 de « Mettre en Marche/Arrêt l'appareil » sont suivies précédemment.
2. Appuyez sur le bouton "  " pour allumer l'élément thermique à une température élevée de 1500 watts.
3. Appuyez sur le bouton "  " pour diminuer la température une température basse de 750W.
4. Appuyez sur le bouton "  " plusieurs fois pour régler la valeur de la température ambiante à 18° C, 19° C, 20° C, 21° C, 22° C, 23° C, 24° C, 25° C, 26° C, 27° C, 28° C, ON ou OFF. Le nombre s'affichera sur l'écran tactile.

*Remarque : En appuyant une deuxième fois sur "  " ou "  " l'élément de chauffage s'éteint.*

### Modification des options de LED :

1. Assurez-vous que les étapes 1 et 2 ou 1-3 de « Mettre en Marche/Arrêt l'appareil » sont déjà suivis.
2. Appuyez sur le bouton "  " pour activer ou désactiver la flamme et les LED du lit de braise.
3. Appuyez sur le bouton "  " plusieurs fois pour faire défiler les 3 niveaux différents de luminosité et OFF pour les LED de la flamme jaune.
4. Appuyez sur le bouton "  " plusieurs fois pour faire défiler les 3 niveaux différents de luminosité et OFF pour les LED de la flamme bleu.
5. Appuyez sur le bouton "  " plusieurs fois pour faire défiler les 3 niveaux différents de luminosité et OFF pour les LED de la flamme rose.
6. Appuyez sur le bouton "  " plusieurs fois pour définir la durée de fonctionnement à 30min, 1h, 2h, 3h, 4h, 5h, 6h, 7h, 8h, ou à OFF.
7. Appuyez sur le bouton "  " plusieurs fois pour faire permuter les LED de rétro-éclairage du rouge, au jaune, bleu, rouge/bleu, rouge/jaune, jaune/bleu, rouge/jaune/bleu, fondu ou OFF.

*Remarque : Les étapes 2 à 7 peuvent s'effectuer indépendamment.*

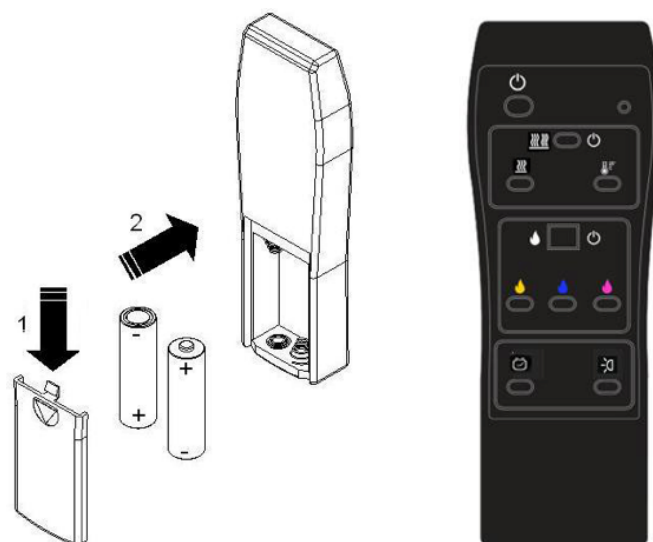


## Spécifications de la télécommande

1. Puces MCU : puce SN8P2722
2. Logiciel : LRC 12-02
3. Télécommande : télécommande à 10 touches
4. Article No. : EF-WM353 MO, MO, MO  
WM349-EF, EF-WM350 EF-WM348

REMARQUE : Assurez-vous que vos piles « AA » (x2) sont entièrement chargées et installées correctement dans votre télécommande avant de l'utiliser.

La télécommande doit rester dans un rayon de 5 mètres ou 17 pieds de l'appareil pour être efficace, cette portée peut être réduite lorsque la batterie est épuisée.



## Entretien

### AVERTISSEMENT

#### PRÉPARATION POUR L'ENTRETIEN

COUPEZ TOUJOURS L'ALIMENTATION ÉLECTRIQUE ET LAISSEZ L'APPAREIL ÉLECTRIQUE REFROIDIR AVANT D'EFFECTUER TOUT NETTOYAGE, ENTRETIEN OU DÉPLACEMENT DE CET APPAREIL ÉLECTRIQUE. RÉGLEZ LES COMMANDES SUR ARRÊT ET DÉBRANCHEZ LA FICHE DE LA PRISE OU COUPEZ LE DISJONCTEUR DE LA MAISON DE LA PRISE DE L'APPAREIL ÉLECTRIQUE.

N'INSTALLEZ PAS DES AMPOULES DE RECHANGE QUI DÉPASSENT LES WATTS MAXIMUM SPÉCIFIÉS.

LES AMPOULES DANS VOTRE APPAREIL PEUVENT DEVENIR TRÈS CHAUDS. ATTENDEZ AU MOINS 10 MINUTES ENTRE LA MISE HORS TENSION DE L'APPAREIL ET RETIREZ LES LAMPES POUR ÉVITER DES BRÛLURES ACCIDENTELLES.

NE MANIPULEZ PAS LES AMPOULES AVEC LES DOIGTS NUS, LES HUILES DE VOTRE PEAU ENDOMMAGERONT LES AMPOULES LORSQU'ILS CHAUFFENT. UTILISEZ DES GANTS OU UN CHIFFON PROPRE ET SEC LORS DE LA MANIPULATION DES AMPOULES.

## Consignes de rangement

Assurez-vous que le cordon d'alimentation ne soit pas installé de façon qu'il soit coincé ou contre une arête vive, puis assurez-vous que le cordon d'alimentation soit rangé ou sécurisé afin d'éviter de trébucher ou de s'accrocher pour réduire les risques d'incendie, d'électrocution ou de blessures.

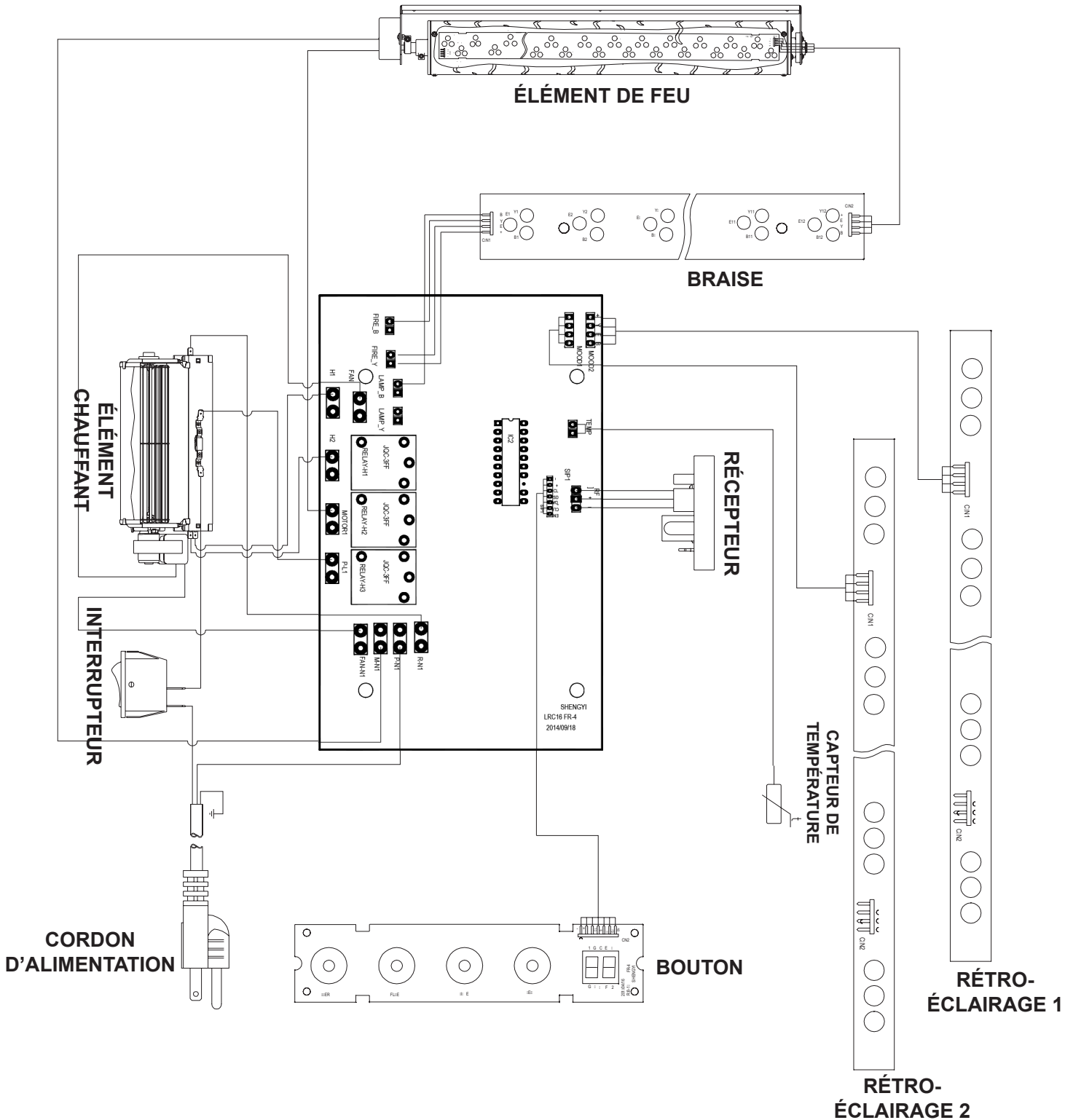
L'installation et le câblage de la prise électrique doivent respecter les codes du bâtiment locaux et autres règlements applicables pour réduire les risques d'incendie, d'électrocution et de blessures aux personnes.

N'essayez pas de câbler les circuits ou les prises vous-mêmes. Pour réduire le risque d'incendie, d'électrocution ou de blessures, utilisez toujours un électricien agréé.

# Schéma du câblage

## ⚠️ AVERTISSEMENT

ÉTEIGNEZ L'APPAREIL COMPLÈTEMENT ET LAISSEZ REFROIDIR AVANT L'ENTRETIEN. SEUL UN TECHNICIEN QUALIFIÉ DOIT ENTREtenir ET RÉPARER CET APPAREIL ÉLECTRIQUE.



# Pièces de rechange

## AVERTISSEMENT

DANS L'INCAPACITÉ À UTILISER LES PIÈCES CONFORMÉMENT À CE MANUEL OU AU NON-RESPECT D'UTILISER SEULEMENT DES PIÈCES SPÉCIFIQUEMENT APPROUVÉS AVEC CET APPAREIL PEUT ENTRAÎNER DES DOMMAGES OU DES BLESSURES.

Pour commander des pièces, contactez [customercare@jrhome.com](mailto:customercare@jrhome.com)

**POUR LA GARANTIE DES PIÈCES DE RECHANGE, UNE PHOTOCOPIE DE LA FACTURE ORIGINALE DEVRA HONORER LA DEMANDE.**

Lors de la commande des pièces de rechange, toujours donner les informations suivantes :

- Le modèle et le numéro de série de l'appareil
- La date d'installation de l'appareil
- Numéro de la pièce
- Description de la pièce
- Finition

**POUR PLUS D'INFORMATIONS, CONTACTEZ VOTRE REVENDEUR AGRÉÉ.**

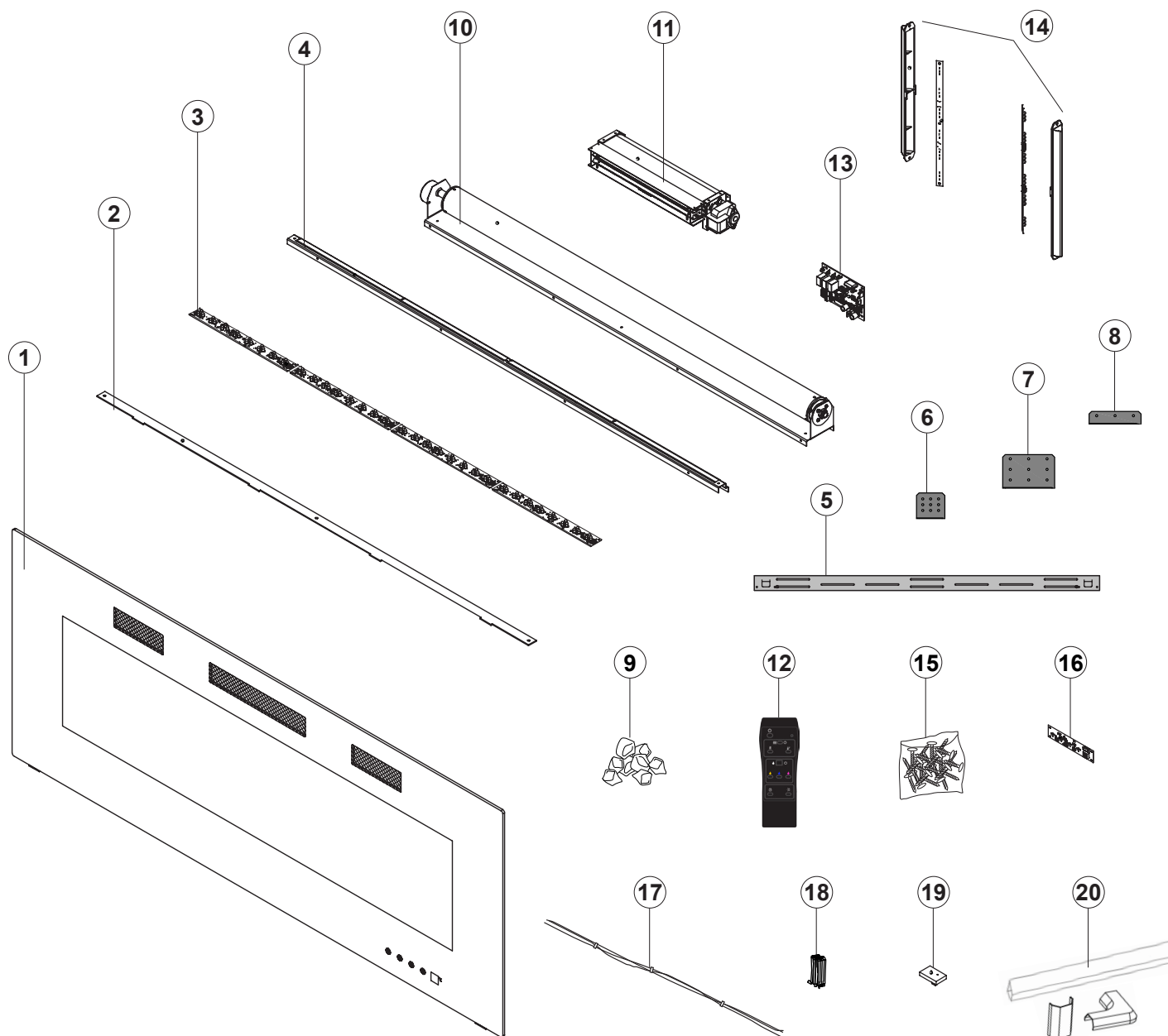
### COMPOSANTS

REF.	EF-WM353 MO	EF-WM350 MO	EF-WM349 MO	EF-WM348	DESCRIPTION
1	BFT42	BFT50	BFT60	BFT72	Vitre avant
2	BFT42CT	BFT50CT	BFT60CT	BFT72CT	Panneau en acrylique
3	LED42	LED50	LED60	LED72	Lumière LED
4	EBT42	EBT50	EBT60	EBT72	Plateau de lit de braise
5	WMB42	WMB50	WMB50	WMB72	Support de montage mural
6	B42	B42	B42	B42	Support B GL
7	N/A	N/A	C160	C160	Support C1 GL
8	N/A	N/A	C260	C260	Support C2 GL
9	CE42	CE50	CE50	CE50	Crystal de braises
10	FSA42	FSA50	FSA60	FSA72	Assemblage du système de flamme
11	BHA42	BHA42	BHA42	BHA42	Ventilateur et radiateur
12	LRC12-02	LRC12-02	LRC12-02	LRC12-02	Télécommande
13	LRC42	LRC42	LRC42	LRC72	Carte de circuit imprimé
14	WBL	WBL	WBL	WBL	LED de Rétro-éclairage
15	HWK42	HWK50	HWK50	HWK72	Kit de matériel
16	CP42	CP42	CP42	CP42	Panneau de commande
17	JR42	JR50	JR60	JR72	Faisceau de câbles
18	TH42	TH42	TH42	TH42	Thermostat
19	RMOTER	RMOTER	RMOTER	RMOTER	Récepteur de la télécommande
20	WCKIT	WCKIT	WCKIT	WCKIT	Kit de couvre-fils (en option)

# Schéma des pièces de rechange

## AVERTISSEMENT

DANS L'INCAPACITÉ D'UTILISER LES PIÈCES CONFORMÉMENT À CE MANUEL OU AU NON-RESPECT D'UTILISER SEULEMENT DES PIÈCES SPÉCIFIQUEMENT APPROUVÉS AVEC CET APPAREIL PEUT ENTRAÎNER DES DOMMAGES OU DES BLESSURES.



REMARQUE : Des soins doivent être pris lors du démontage et l'élimination de n'importe quel verre brisé ou composants endommagés. N'oubliez pas de passer l'aspirateur sur n'importe quel verre brisé de l'intérieur de l'appareil avant l'utilisation.

## AVERTISSEMENT

ÉTEIGNEZ L'APPAREIL COMPLÈTEMENT ET LAISSEZ REFROIDIR AVANT L'ENTRETIEN. SEUL UN TECHNICIEN QUALIFIÉ DOIT ENTREtenir ET RÉPARER CET APPAREIL ÉLECTRIQUE.

Symptôme	Problème	Solution à tester
La flamme s'affaiblit ou aucune flamme/braise n'est allumé ou s'affaiblit	Les LED sont brûlées ou défaillantes	Inspectez les LED et remplacez-les si nécessaire
Aucun flux d'air chaud sortant de l'appareil	La température ambiante est supérieure au réglage de l'appareil (s'elle est réglée à la température ambiante)	Réinitialisez le réglage de la température
	L'appareil de chauffage est brûlé	Inspectez l'ensemble brûleur et le chauffage et remplacez-le si nécessaire
L'appareil s'éteint et s'allume pas	L'appareil a surchauffé et l'interrupteur thermique de sécurité s'est déclenché	Débranchez le cordon d'alimentation et laissez-le refroidir pendant 15 minutes, puis branchez le cordon d'alimentation et allumez-le
	Le disjoncteur de la maison s'est déclenché	Réarmez le disjoncteur de la maison
L'appareil ne s'allume pas lorsque le bouton d'alimentation est allumé	L'appareil n'est pas branché dans une prise électrique	Vérifiez la fiche et branchez-la sur une prise de 120V
	L'appareil a surchauffé et l'interrupteur thermique de sécurité s'est déclenché	Débranchez le cordon d'alimentation et laissez-le refroidir pendant 15 minutes, puis branchez le cordon d'alimentation et allumez-le
	La carte du circuit imprimé est brûlée	Inspectez le circuit imprimé et le remplacez-le si nécessaire
La télécommande ne fonctionne pas	Batterie faible	Remplacez les piles de la télécommande
L'appareil de chauffage s'arrête automatiquement	La pièce est trop chaude	L'appareil comporte un thermostat intégré donc il s'arrête automatiquement lorsque la température programmée est atteinte. Il sera aussi allumé automatiquement si la température ambiante est inférieure à la température programmée.
Panneau tactile / la télécommande ne fonctionnent pas	La vitre avant a bougé ou n'est pas fixée correctement	Débranchez l'appareil, si l'appareil est encastré dans le mur, coupez les disjoncteurs de la maison. Assurez-vous que la vitre avant est dans la bonne position et est placée face à l'écran tactile de l'appareil. Après 10 secondes, branchez ou allumez l'appareil pour le réinitialiser.

# Garantie

## IMPORTANT

Pour les questions, les préoccupations ou les problèmes liés à notre produit, veuillez envoyer un courriel à notre service à la clientèle : **customercare@jrhome.com**  
PREUVE D'ACHAT DATEE REQUIS POUR LE SERVICE DE GARANTIE

Ce produit est inspecté, testé et emballé avec soin afin de minimiser les risques de dommages pendant le transport. Si une pièce (sauf ampoules et fusibles\*) moins d'un an à compter de la date d'achat présente un vice de matériel ou de fabrication sous des conditions normales d'utilisation, la pièce sera réparée ou remplacée. L'obligation de la Société au titre de la garantie est de remplacer ou réparer les pièces défectueuses, à notre discrétion. Des frais ou des dommages résultant de l'installation, l'enlèvement ou du transport du produit seront à la responsabilité du propriétaire et ne sont pas couverts par cette garantie. Le propriétaire assume tous les autres risques découlant de l'utilisation ou la mauvaise utilisation du produit. La garantie sera nulle si le produit endommagé ou la panne est considérée par la Société comme un accident, altération, mauvaise utilisation, abus, mauvaise installation ou débranchement, ou la connexion à une source d'alimentation inadéquate par le propriétaire. La société n'assume ni n'autorise et la personne ou l'entité qui en assume n'a aucune obligation ou responsabilité associée à ses produits. Les ampoules et les fusibles ne sont pas couverts par cette garantie. Si vous avez des questions concernant la garantie ou le service, veuillez appeler notre numéro gratuit : 1-800-561-5550.

Service à la clientèle  
JR Home Products  
Unit 306 - 19100 Airport Way, Pitt Meadows, BC V3Y 0E2  
Téléphone sans frais : 1-800--561-5550  
Courriel: **customercare@jrhome.com**

**Vous DEVEZ enregistrer votre produit pour recevoir le service de garantie.  
L'inscription peut être remplie en ligne à [www.jrhome.com](http://www.jrhome.com) ou en envoyant ceci.**



### Warranty Registration Information Form / Formulaire d'enregistrement de la garantie

Name / Nom:  
Street / Adress:  
City / Ville:  
Province / Province:  
Postal Code / Code postal:

Daytime Phone # / No téléphone jour:  
Evening Phone # / No téléphone soir:

E-Mail Address / Courriel:

Product / Produit:  
Place of Purchase / Lieu de l'achat:  
Date of Purchase / Date de l'achat:  
Model # / No de modèle:  
Serial # / Numéro de série:

You **MUST** register your product to receive warranty service.

For warranty service, contact J&R Home Products at the address, phone numbers listed below within 30 days of purchase. Be sure to have your sales receipt and original date of purchase. All warranty service will be coordinated by J&R Home Products service center.

Vous **DEVEZ** enregistrer votre produit pour vous prévaloir de la garantie.

Afin de faire valoir la garantie, communiquez avec J&R Home Products à l'adresse et aux numéros indiqués ci-dessous dans les 30 jours suivant la date d'achat. Ayez en main votre reçu et la date d'achat. Toutes les demandes liées aux garanties seront traitées par le centre de service de J&R Home Products.

Please mail to / Veuillez poster le tout à : Parts & Service Department, J&R Home Products Ltd. Unit 306 - 19100 Airport Way, Pitt Meadows, BC V3Y 0E2