



OPERATOR'S MANUAL

MANUEL D'UTILISATION

MANUAL DEL OPERADOR

ROUTER TABLE

TABLE À TOUPIE

MESA FRESADORA

A25RT03

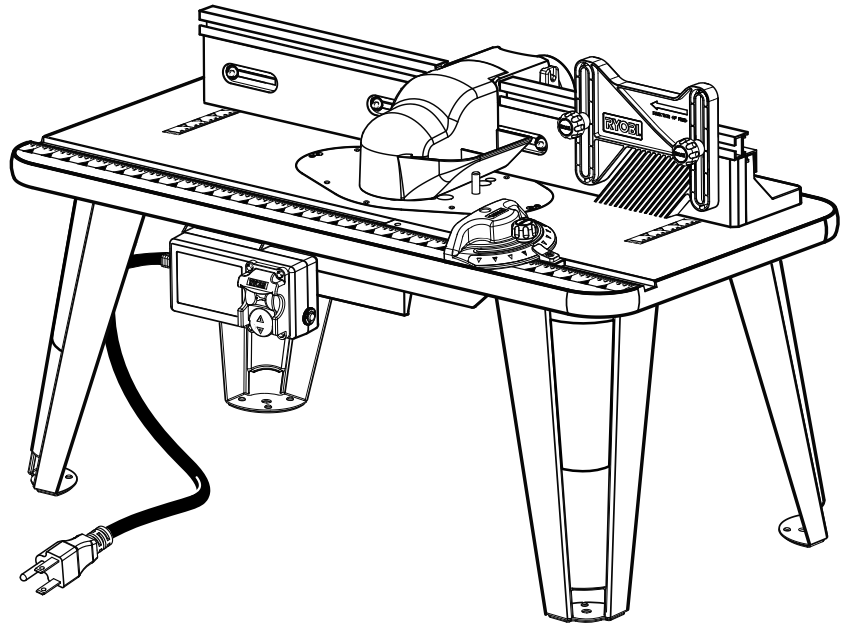


TABLE OF CONTENTS

- General Safety Rules.....2-3
- Specific Safety Rules3
- Symbols.....4
- Electrical.....5
- Features.....6-7
- Assembly.....8-15
- Operation.....16-18
- Maintenance.....19
- Parts Ordering and ServiceBack page

TABLE DES MATIÈRES

- Règles de sécurité générales2-3
- Règles de sécurité particulières3
- Symboles.....4
- Caractéristiques électriques.....5
- Caractéristiques6-7
- Assemblage.....8-15
- Utilisation.....16-18
- Entretien19
- Commande de pièces et dépannagePage arrière

ÍNDICE DE CONTENIDO

- Reglas de seguridad generales.....2-3
- Reglas de seguridad específicas3
- Símbolos4
- Aspectos eléctricos.....5
- Características6-7
- Armado.....8-15
- Funcionamiento.....16-18
- Mantenimiento.....19
- Pedidos de piezas y servicio Pág. posterior

⚠ WARNING: To reduce the risk of injury, the user must read and understand the operator's manual before using this product.

⚠ AVERTISSEMENT : Pour réduire les risques de blessures, l'utilisateur doit lire et veiller à bien comprendre le manuel d'utilisation avant d'employer ce produit.

⚠ ADVERTENCIA: Para reducir el riesgo de lesiones, el usuario debe leer y comprender el manual del operador antes de usar este producto.

SAVE THIS MANUAL FOR FUTURE REFERENCE

CONSERVER CE MANUEL POUR FUTURE RÉFÉRENCE

GUARDE ESTE MANUAL PARA FUTURAS CONSULTAS

GENERAL SAFETY RULES

WARNING:

Read and understand all instructions. Failure to follow all instructions listed below, may result in electric shock, fire and/or serious personal injury.

READ ALL INSTRUCTIONS

- **KNOW YOUR POWER TOOL.** Carefully read the router table operator's manual and the manual for the particular router you are using. Learn the applications and limitations as well as the specific potential hazards related to this tool.
- **GUARD AGAINST ELECTRICAL SHOCK BY PREVENTING BODY CONTACT WITH GROUNDED SURFACES.** For example: pipes, radiators, ranges, refrigerator enclosures.
- **KEEP GUARDS IN PLACE** and in good working order.
- **REMOVE ADJUSTING KEYS AND WRENCHES.** Form habit of checking to see that keys and adjusting wrenches are removed from tool before turning it on.
- **KEEP WORK AREA CLEAN.** Cluttered areas and benches invite accidents. **DO NOT** leave tools or pieces of wood on the tool while it is in operation.
- **DO NOT USE IN DANGEROUS ENVIRONMENTS.** Do not use power tools in damp or wet locations or expose to rain. Keep the work area well lit.
- **KEEP CHILDREN AND VISITORS AWAY.** All visitors should wear safety glasses and be kept a safe distance from work area. Do not let visitors contact tool or extension cord while operating.
- **MAKE WORKSHOP CHILDPROOF** with padlocks, master switches, or by removing starter keys.
- **DON'T FORCE THE TOOL.** It will do the job better and safer at the feed rate for which it was designed.
- **USE THE RIGHT TOOL.** Do not force the tool or attachment to do a job for which it was not designed.
- **USE THE PROPER EXTENSION CORD.** Make sure your extension cord is in good condition. Use only a cord heavy enough to carry the current your product will draw. An undersized cord will cause a drop in line voltage resulting in loss of power and overheating. A wire gauge size (A.W.G.) of at least **14** is recommended for an extension cord 25 feet or less in length. If in doubt, use the next heavier gauge. The smaller the gauge number, the heavier the cord.
- **DRESS PROPERLY.** Do not wear loose clothing, neckties, or jewelry that can get caught and draw you into moving parts. Rubber gloves and nonskid footwear are recommended when working outdoors. Also wear protective hair covering to contain long hair.
- **ALWAYS WEAR SAFETY GLASSES WITH SIDE SHIELDS.** Everyday eyeglasses have only impact-resistant lenses, they are **NOT** safety glasses.
- **SECURE WORK.** Use clamps or a vise to hold work when practical, it is safer than using your hand and frees both hands to operate the tool.
- **DO NOT OVERREACH.** Keep proper footing and balance at all times.
- **MAINTAIN TOOLS WITH CARE.** Keep tools sharp and clean for better and safer performance. Follow instructions for lubricating and changing accessories.
- **DISCONNECT TOOLS.** When not in use, before servicing, or when changing attachments, blades, bits, cutters, etc., all tools should be disconnected from power source.
- **AVOID ACCIDENTAL STARTING.** Be sure switch is off when plugging in any tool.
- **USE RECOMMENDED ACCESSORIES.** Consult the operator's manual for recommended accessories. The use of improper accessories may result in injury.
- **NEVER STAND ON TOOL.** Serious injury could occur if the tool is tipped or if the cutting tool is unintentionally contacted.
- **CHECK DAMAGED PARTS.** Before further use of the tool, a guard or other part that is damaged should be carefully checked to determine that it will operate properly and perform its intended function. Check for alignment of moving parts, binding of moving parts, breakage of parts, mounting and any other conditions that may affect its operation. A guard or other part that is damaged must be properly repaired or replaced by an authorized service center to avoid risk of personal injury.
- **NEVER LEAVE TOOL RUNNING UNATTENDED. TURN THE POWER OFF.** Don't leave tool until it comes to a complete stop.
- **USE THE RIGHT DIRECTION OF FEED.** Feed work into a blade, cutter, or sanding spindle against the direction or rotation of the blade, cutter, or sanding spindle only.
- **PROTECT YOUR LUNGS.** Wear a face or dust mask if the cutting operation is dusty.
- **PROTECT YOUR HEARING.** Wear hearing protection during extended periods of operation.
- **DO NOT ABUSE CORD.** Never carry tool by the cord or yank it to disconnect from receptacle. Keep cord from heat, oil, and sharp edges.
- **ALWAYS USE AN OUTDOOR EXTENSION CORD MARKED "W-A" OR "W".** These cords are rated for outdoor use and reduce the risk of electric shock.
- **NEVER USE IN AN EXPLOSIVE ATMOSPHERE.** Normal sparking of the motor could ignite fumes.
- **INSPECT TOOL CORDS PERIODICALLY.** If damaged, have repaired by a qualified service technician at an authorized service facility. The conductor with insulation having an outer surface that is green with or without yellow

GENERAL SAFETY RULES

stripes is the equipment-grounding conductor. If repair or replacement of the electric cord or plug is necessary, do not connect the equipment-grounding conductor to a live terminal. Repair or replace a damaged or worn cord immediately. Stay constantly aware of cord location and keep it well away from the rotating blade.

- **INSPECT EXTENSION CORDS PERIODICALLY** and replace if damaged.
- **KEEP TOOL DRY, CLEAN, AND FREE FROM OIL AND GREASE.** Always use a clean cloth when cleaning. Never use brake fluids, gasoline, petroleum-based products, or any solvents to clean tool.
- **STAY ALERT AND EXERCISE CONTROL.** Watch what you are doing and use common sense. Do not operate tool when you are tired. Do not rush.

- **DO NOT USE TOOL IF SWITCH DOES NOT TURN IT ON AND OFF.** Have defective switches replaced by an authorized service center.
- **DO NOT OPERATE A TOOL WHILE UNDER THE INFLUENCE OF DRUGS, ALCOHOL, OR ANY MEDICATION.**
- **WHEN SERVICING** use only identical replacement parts. Use of any other parts may create a hazard or cause product damage.
- **USE ONLY RECOMMENDED ACCESSORIES** listed in this manual or addendums. Use of accessories that are not listed may cause the risk of personal injury. Instructions for safe use of accessories are included with the accessory.




SPECIFIC SAFETY RULES

- **FOR YOUR OWN SAFETY,** read this router table operator's manual and the router manual before operating the router or using the router table.
- **ALWAYS USE THE ARTICULATING ROUTER CUTTER BIT GUARD.**
- **WHEN USING THE ROUTER ON THE ROUTER TABLE,** the router must be plugged into the router table switch outlet.
- **KEEP HANDS AWAY FROM CUTTING AREA.** Do not reach underneath the table or in the cutting path with your hands or fingers at any time while the tool is connected to a power source.
- **DO NOT USE AWKWARD HAND POSITIONS.**
- **FIRMLY CLAMP OR BOLT THE ROUTER TABLE TO A WORK SURFACE** so that the router table surface is approximately hip height.





- **ALWAYS FEED WORKPIECE AGAINST ROTATION OF CUTTER.**
- **INSPECT FOR AND REMOVE ALL NAILS FROM LUMBER BEFORE ROUTING.** Following this rule will reduce the risk of serious personal injury.
- **KEEP FINGERS AWAY FROM REVOLVING CUTTER, USE FIXTURES WHEN NECESSARY.**
- **ALWAYS SUPPORT WORKPIECE FIRMLY AGAINST TABLE AND FENCE.**
- **IF THE POWER SUPPLY CORD IS DAMAGED,** it must be replaced only by the manufacturer or by an authorized service center to avoid risk.
- **SAVE THESE INSTRUCTIONS.** Refer to them frequently and use them to instruct others who may use this tool. If you loan someone this tool, loan them these instructions also.

SYMBOLS

The following signal words and meanings are intended to explain the levels of risk associated with this product.

SYMBOL	SIGNAL	MEANING
	DANGER:	Indicates a hazardous situation, which, if not avoided, will result in death or serious injury.
	WARNING:	Indicates a hazardous situation, which, if not avoided, could result in death or serious injury.
	CAUTION:	Indicates a hazardous situation, that, if not avoided, may result in minor or moderate injury.
	NOTICE:	(Without Safety Alert Symbol) Indicates information considered important, but not related to a potential injury (e.g. messages relating to property damage).

Some of the following symbols may be used on this product. Please study them and learn their meaning. Proper interpretation of these symbols will allow you to operate the product better and safer.

SYMBOL	NAME	DESIGNATION/EXPLANATION
	Safety Alert	Indicates a potential personal injury hazard.
	Read Operator's Manual	To reduce the risk of injury, user must read and understand operator's manual before using this product.
	Eye Protection	Always wear eye protection with side shields marked to comply with ANSI Z87.1.
	Wet Conditions Alert	Do not expose to rain or use in damp locations.
V	Volts	Voltage
A	Amperes	Current
Hz	Hertz	Frequency (cycles per second)
min	Minutes	Time
~	Alternating Current	Type of current
n_0	No Load Speed	Rotational speed, at no load
.../min	Per Minute	Revolutions, strokes, surface speed, orbits etc., per minute

ELECTRICAL

EXTENSION CORDS

Use only 3-wire extension cords that have 3-prong grounding plugs and 3-pole receptacles that accept the product's plug. When using a power product at a considerable distance from the power source, use an extension cord heavy enough to carry the current that the product will draw. An undersized extension cord will cause a drop in line voltage, resulting in a loss of power and causing the motor to overheat. Use the chart provided below to determine the minimum wire size required in an extension cord. Only round jacketed cords listed by Underwriter's Laboratories (UL) should be used.

**Ampere rating (on product data plate)

Cord Length	Wire Size (A.W.G.)					
	0-2.0	2.1-3.4	3.5-5.0	5.1-7.0	7.1-12.0	12.1-16.0
25'	16	16	16	16	14	14
50'	16	16	16	14	14	12
100'	16	16	14	12	10	—

**Used on 12 gauge - 20 amp circuit.

NOTE: AWG = American Wire Gauge

When working outdoors with a product, use an extension cord that is designed for outside use. This type of cord is designated with "W-A" or "W" on the cord's jacket.

Before using an extension cord, inspect it for loose or exposed wires and cut or worn insulation.

WARNING:

Keep the extension cord clear of the working area. Position the cord so that it will not get caught on lumber, products or other obstructions while you are working with a power product. Failure to do so can result in serious personal injury.

WARNING:

Check extension cords before each use. If damaged replace immediately. Never use product with a damaged cord since touching the damaged area could cause electrical shock resulting in serious injury.

ELECTRICAL CONNECTION

This product is powered by a precision built electric motor. It should be connected to a **power supply that is 120 V, AC only (normal household current), 60 Hz**. Do not operate this product on direct current (DC). A substantial voltage drop will cause a loss of power and the motor will overheat. If the saw does not operate when plugged into an outlet, double check the power supply.

SPEED AND WIRING

The no-load speed of this product depends on the router you are using. This speed is not constant and decreases under a load or with lower voltage. For voltage, the wiring in a shop is as important as the motor's horsepower rating. A line intended only for lights cannot properly carry a power product motor. Wire that is heavy enough for a short distance will be too light for a greater distance. A line that can support one power product may not be able to support two or three products.

GROUNDING INSTRUCTIONS

See Figure 1.

In the event of a malfunction or breakdown, grounding provides a path of least resistance for electric current to reduce the risk of electric shock. This product is equipped with an electric cord having an equipment-grounding conductor and a grounding plug. The plug must be plugged into a matching outlet that is properly installed and grounded in accordance with all local codes and ordinances.

Do not modify the plug provided. If it will not fit the outlet, have the proper outlet installed by a qualified electrician. Improper connection of the equipment-grounding conductor can result in a risk of electric shock. The conductor with insulation having an outer surface that is green with or without yellow stripes is the equipment-grounding conductor. If repair or replacement of the electric cord or plug is necessary, do not connect the equipment-grounding conductor to a live terminal.

Check with a qualified electrician or service personnel if the grounding instructions are not completely understood, or if in doubt as to whether the product is properly grounded.

Repair or replace a damaged or worn cord immediately.

This product is intended for use on a circuit that has an outlet like the one shown in figure 1. It also has a grounding pin like the one shown.

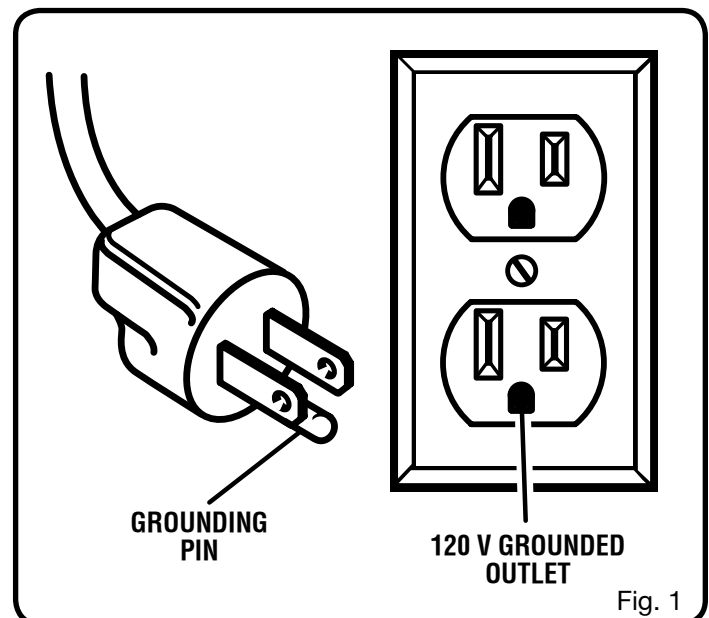


Fig. 1

FEATURES

PRODUCT SPECIFICATIONS

Table Dimensions	16 in. x 32 in. x 1 in.	Miter Slot	1/4 in. x 3/4 in. x 32 in.
Maximum Cutter Diameter	1-15/16 in.	Rating	120 V, 60 Hz, AC only, 15 Amps
Fence Length	28 in.	Net Weight	28 lbs.

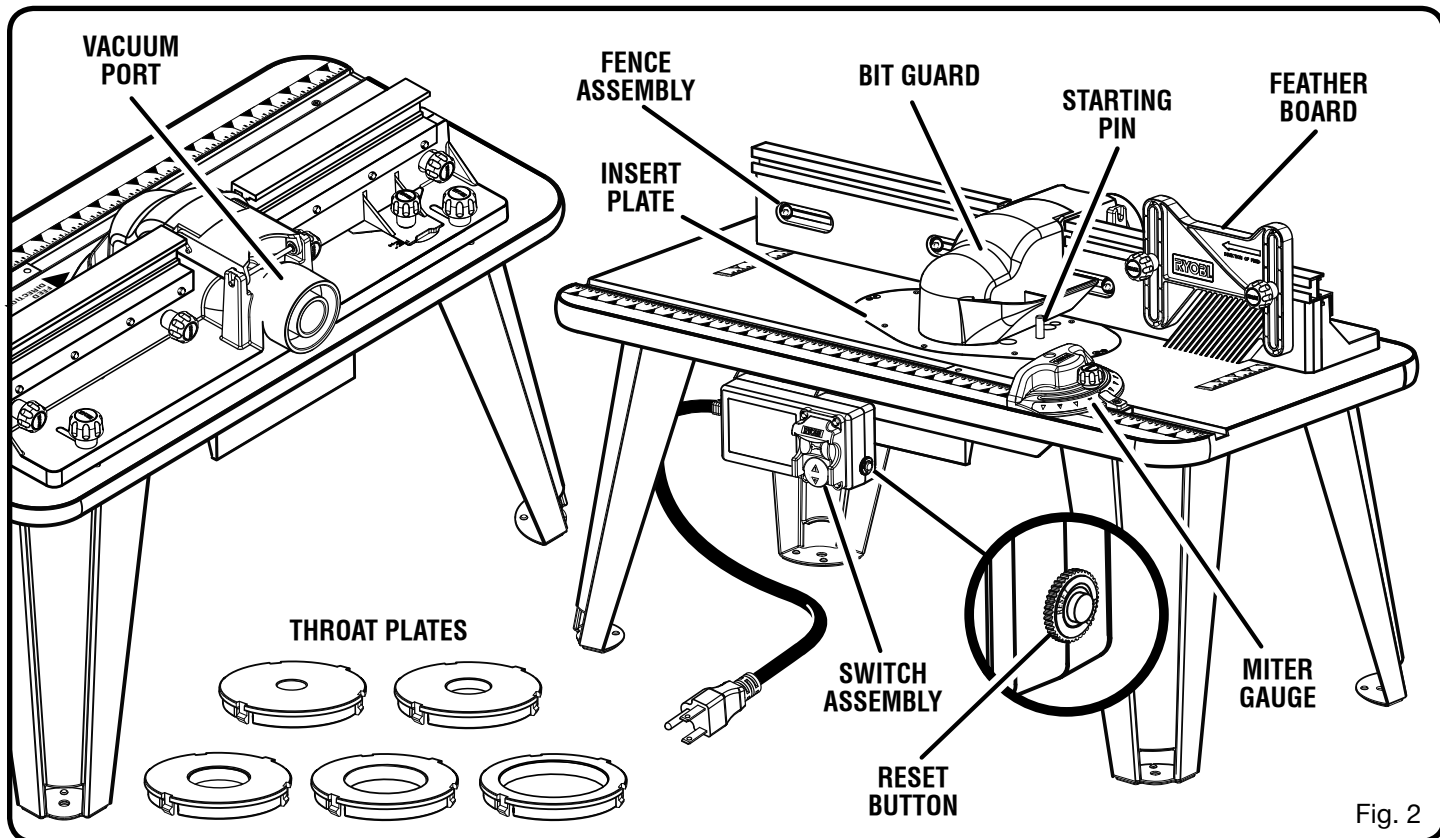


Fig. 2

KNOW YOUR ROUTER TABLE

See Figure 2.

The safe use of this product requires an understanding of the information on the product and in this operator's manual as well as a knowledge of the project you are attempting. Before use of this product, familiarize yourself with all operating features and safety rules.

BIT GUARD

The articulating router cutter bit guard on the fence assembly provides a barrier to protect the operator from contact with the cutter and is designed to stay in contact with the workpiece.

FEATHERBOARD

The featherboard allows for safe movement of the workpiece through the cutter area and is height adjustable.

FENCE ASSEMBLY

The sacrificial MDF fence assembly provides an adjustable surface to support and guide the work. Molded into the fence assembly is the vacuum port.

INSERT PLATE

The insert plate can be used in combination with a variety of routers. It also has pre-drilled countersunk holes that can be used with a variety of routers.

MITER GAUGE

A miter gauge is used for mitered routing and to help support wider pieces.

RESET BUTTON

The router table switch is equipped with a reset button that protects the electronic components of the router table switch box from overload.

STARTING PIN

When you are unable to use the fence for a guide because the workpiece is odd-shaped or too small, use the starting pin for a guide and/or pivot point. Only use piloted cutters when using the starting pin.

FEATURES

THROAT PLATES

Five throat plates are included with the router table. The throat plate provides a stable surface around the cutter and prevents objects from falling through the throat and damaging the spindle.

VACUUM PORT

The vacuum ports molded into the fence will accept either a 1-1/4 in. or 2-1/2 in. vacuum attachment.

SWITCH ASSEMBLY

See Figure 3.

This product is equipped with a switch assembly that has a built-in locking feature. This feature is intended to prevent unauthorized and possible hazardous use by children and others.

TO TURN YOUR ROUTER TABLE ON:

- Plug the router into either switch box outlet on the router table and plug the router table into a 120 volt grounded outlet.
- With the switch key inserted into the switch, lift the switch to turn **ON (I)**.

NOTE: The router table is equipped with a reset button. See Figure 2. If, for any reason, the router table will not turn on, press the reset button and then restart.

TO TURN YOUR ROUTER TABLE OFF:

- Press the switch down to turn **OFF (O)**.

TO LOCK YOUR ROUTER TABLE:

- Press the switch down.
- Remove the switch key from the switch and store in a safe, secure location.

⚠ WARNING:

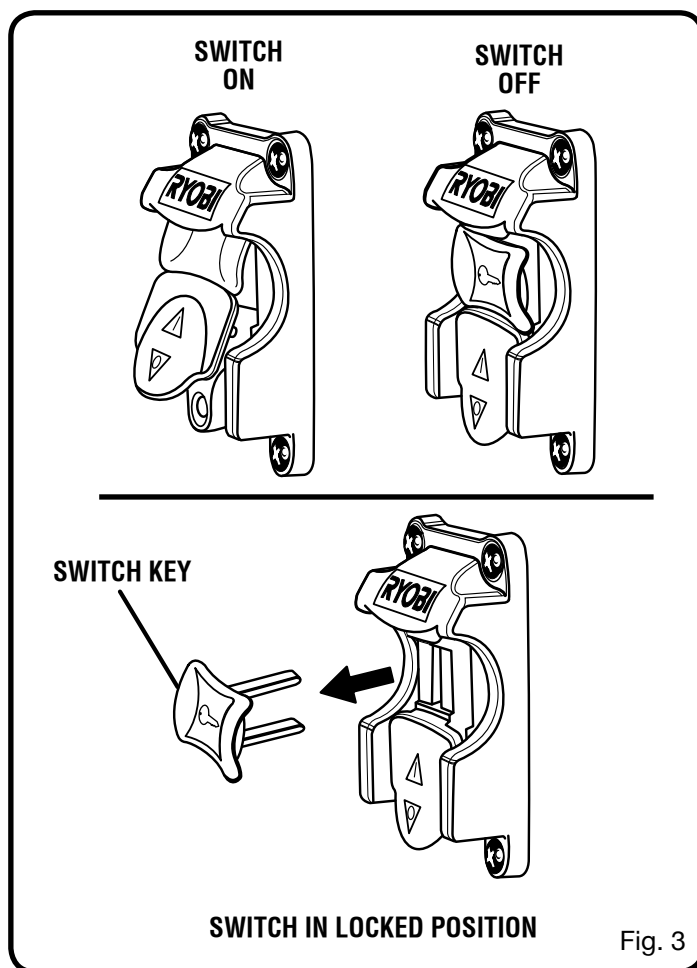
Always remove the switch key when the tool is not in use and keep it in a safe place. In the event of a power failure, turn the switch **OFF (O)** and remove the key. This action will prevent the tool from accidentally starting when power returns.

⚠ WARNING:

ALWAYS make sure your workpiece is not in contact with the cutter before operating the switch to start the tool. Failure to heed this warning may cause the workpiece to be kicked back toward the operator and result in serious personal injury.

⚠ WARNING:

To reduce the risk of accidental starting, **ALWAYS** make sure the switch is in the **OFF (O)** position before plugging tool into the power source.



ASSEMBLY

UNPACKING

This product requires assembly.

- Carefully remove the product and any accessories from the box. Make sure that all items listed in the loose parts list are included.

WARNING:

Do not use this product if any parts on the Loose Parts List are already assembled to your product when you unpack it. Parts on this list are not assembled to the product by the manufacturer and require customer installation. Use of a product that may have been improperly assembled could result in serious personal injury.

- Inspect the product carefully to make sure no breakage or damage occurred during shipping.
- Do not discard the packing material until you have carefully inspected and satisfactorily operated the product.
- If any parts are damaged or missing, please call 1-800-525-2579 for assistance.

WARNING:

If any parts are damaged or missing do not operate this tool until the parts are replaced. Use of this product with damaged or missing parts could result in serious personal injury.

WARNING:

Do not attempt to modify this product or create accessories not recommended for use with this product. Any such alteration or modification is misuse and could result in a hazardous condition leading to possible serious personal injury.

WARNING:

Do not connect to power supply until assembly is complete. Failure to comply could result in accidental starting and possible serious personal injury.

WARNING:

The undertable guards must be securely in place before using the router table. Failure to do so could result in serious personal injury.

ASSEMBLY

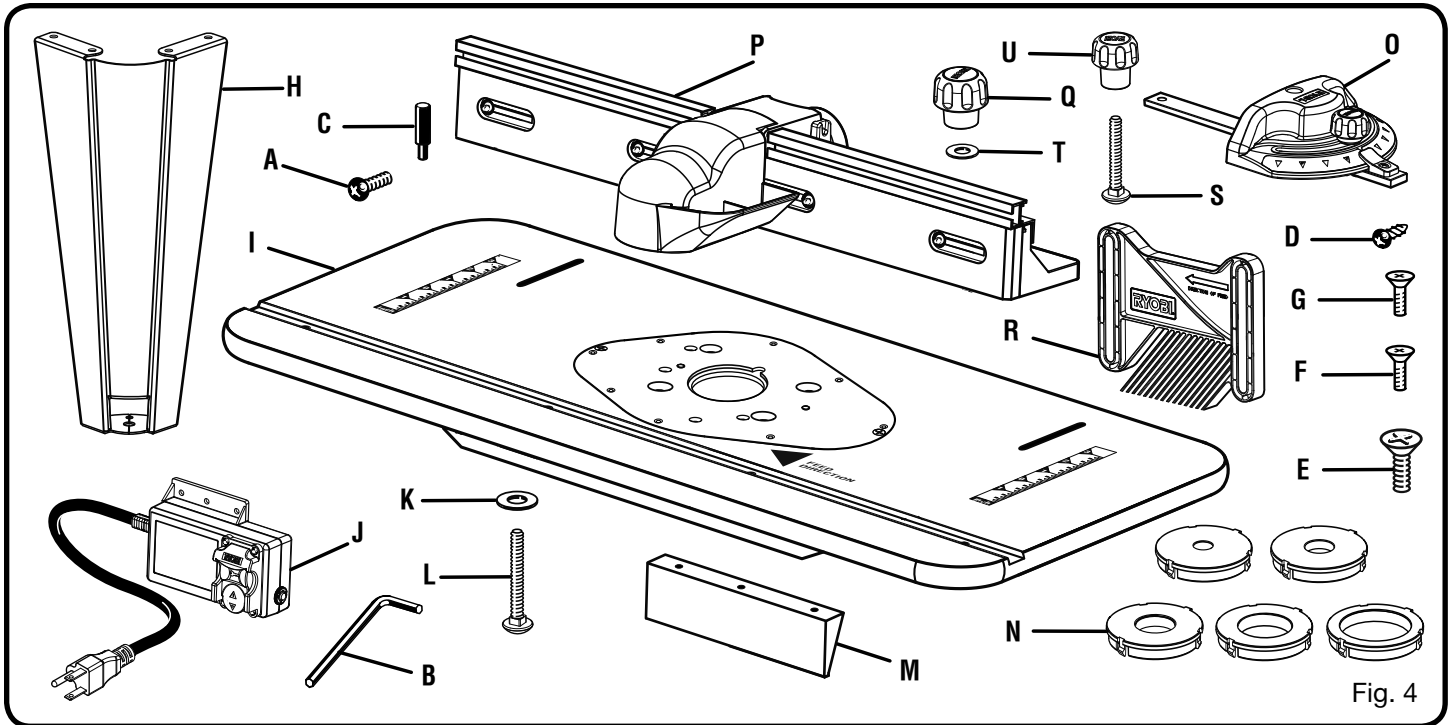


Fig. 4

PACKING LIST

See Figure 4.

A. Table Leg Phillips Head Screw.....	16	L. Carriage Bolt.....	2
B. Hex Key.....	1	M. Under Table Guard.....	2
C. Starting Pin.....	1	N. Throat Plates.....	5
D. Under Table Guard Screw.....	6	O. Miter Gauge.....	1
E. Router Insert Plate Screws (5/16-18 x 3/4 in.).....	3	P. Fence Assembly.....	1
F. Router Insert Plate Screws (10-24 x 5/8 in.).....	3	Q. Fence Lock Knobs.....	2
G. Router Insert Plate Screws (10-32 x 5/8 in.).....	3	R. Featherboard.....	1
H. Table Leg.....	4	S. Featherboard Bolts.....	2
I. Table Top.....	1	T. Fence Lock Knob Washer.....	2
J. Switch Box.....	1	U. Featherboard Lock Knobs.....	2
K. Carriage Bolt Washer.....	2	V. Operator's Manual (not shown)	

NOTE: Items A-G are included in a separate blister pack.

ASSEMBLY

ASSEMBLING THE ROUTER TABLE

Assembling the router table involves attaching the switch box, the under table guards, the legs, the router/insert plate assembly, the fence assembly, featherboard, throat plate, starting pin, and installing the miter gauge to the router table.

ATTACHING THE SWITCH BOX

See Figure 5.

The switch box will come with the screws and nuts attached. Use these screws and nuts to attach the switch box to the table.

- Loosen and remove the screws and nuts from the switch box.
- Place the router table upside down on a flat surface.
- Hold the switch box so that the words **ON** and **OFF** on the toggle switch are upside down.
- Line up the three holes in the switch box with the three holes on the outside of the front rail, this is the rail that is already installed on the front underside of the router table.
- Insert the switch box screws through the holes in the switch box and through the holes in the front rail.
- Install the nuts on the back of the switch box screws.
- Holding the screws in place with a screwdriver, tighten the nuts onto the screws with a wrench or socket.

ATTACHING THE UNDER TABLE GUARDS

See Figure 6.

Remove the under table guard screws from the blister pack. Use these screws to attach the under table guards.

- Place the router table upside down on a flat surface.
- Position the under table guards in front of and behind the insert plate area. The front under table guard should have the open ended side facing the back of the router table.
- Align the three holes of the under table guards with the holes in the table. The front under table guard will be bolted through the front rail and in to the table.
- Insert the under table guard screws through the holes and into the table.
- Tighten screws with a screwdriver.

ATTACHING THE TABLE LEGS

See Figure 7.

Remove the table leg screws from the blister pack. Use these screws to attach the table legs.

- Place router table upside down on a flat, level surface with the front edge closest to you.
- Place each leg in a corner of the table. The legs with the warning labels should go in the front, and the legs without the warning labels should go in the back.

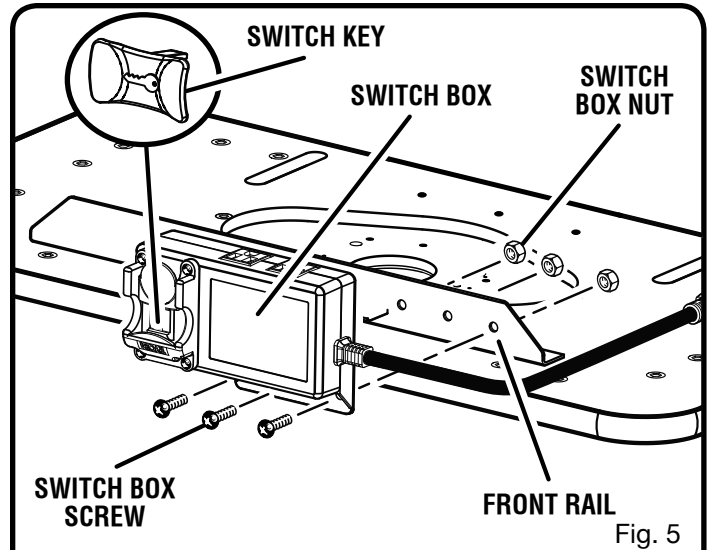


Fig. 5

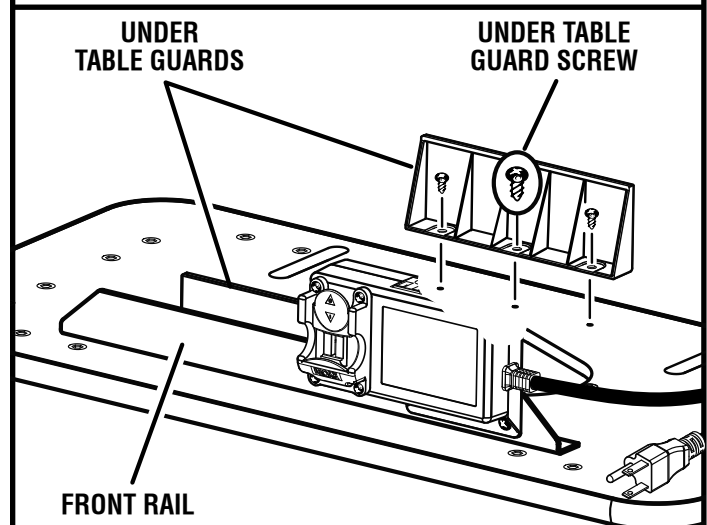


Fig. 6

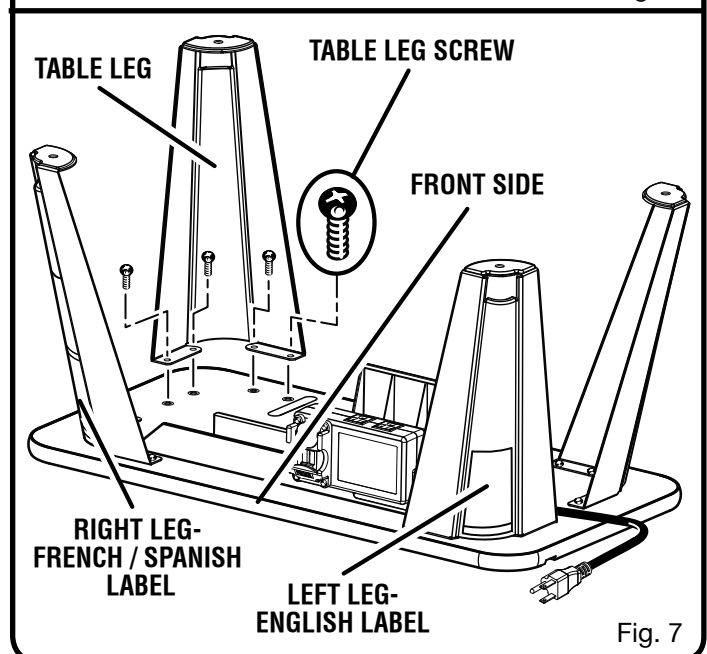


Fig. 7

ASSEMBLY

NOTE: The table leg with the English language warning should go next to the switch box.

- Align the four holes in the legs with the four corresponding threaded holes in the table.
- Insert the table leg screws through the holes and into the table.
- Tighten screws with a screwdriver.

PRE-DRILLING HOLES FOR THROUGH TABLE DEPTH ADJUSTMENT

See Figure 8.

Since each router will have different placements for through table depth adjustments, pilot holes have been pre-drilled in the throat plate to assist in through table adjustments. Only the models listed below in the key are available for use with the through table depth adjustment feature.

- Remove the throat plate.
- Determine which router you have and find the pre-drilled pilot hole that matches your router. (Refer to the key below.)
- Using a drill and drill bit, drill a hole through the pilot hole large enough for the depth adjustment tool (not included with router table, but may be included with your router) to pass through so through table depth adjustments can be made.

Figure 8 Key:

RD: RIDGID R2930, R22002

RY: Ryobi R163K, R163GK

ML: Milwaukee 5615-20, 5616-20

PC1: Porter-Cable 890 Series

PC2: Porter-Cable 8529

ATTACHING THE ROUTER TO THE TABLE

For ease of use, assemble the router to the insert plate with the insert plate removed first, then install the insert plate/router assembly into the router table.

ATTACHING THE ROUTER TO THE INSERT PLATE

See Figures 9 - 10.

Remove the router insert plate screws from the blister pack. Use these screws to attach the router insert plate.

- Unplug the router table and/or the router.
- Remove the insert plate.
- Remove the subbase plate from the router.
- Using the following chart for reference, and using one of the three included sets of three router insert plate screws, attach the router to the insert plate with the pilot holes facing the router and the notch in the insert plate facing the back of the router table.

NOTE: When attaching insert plate to the router, make sure the holes in the router base match up with the insert plate accurately and are not off-center.

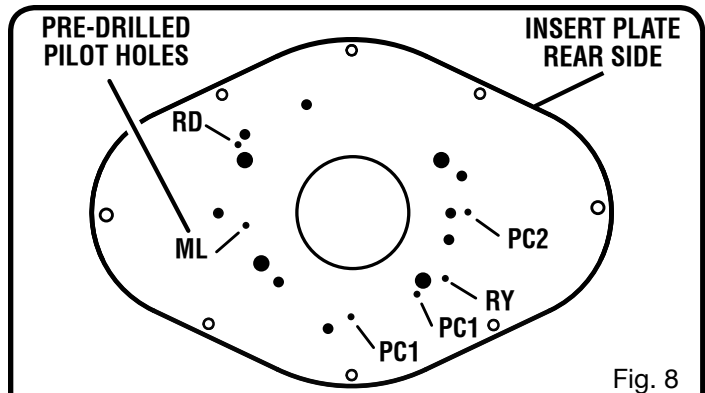


Fig. 8

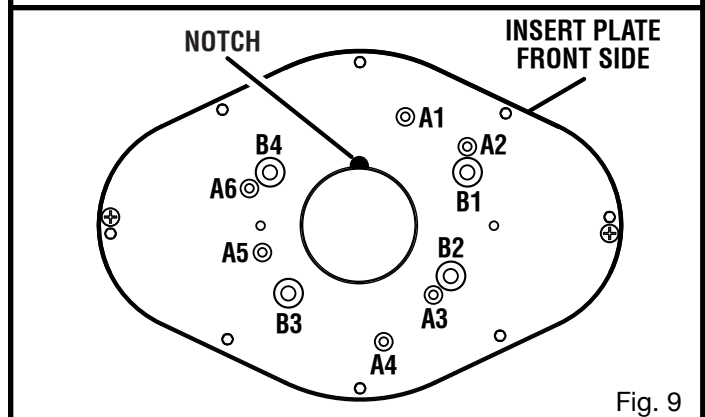


Fig. 9

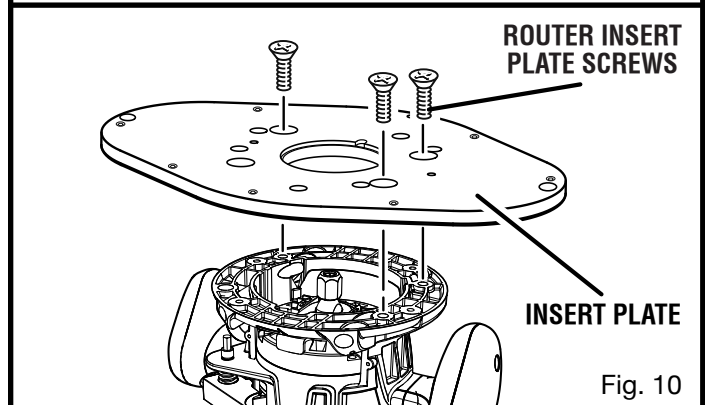


Fig. 10

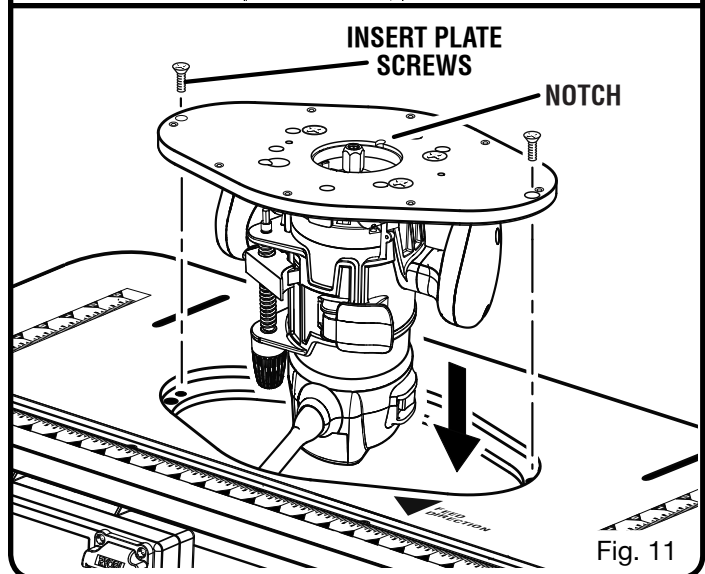


Fig. 11

ASSEMBLY

BRAND	MODEL	BASE TYPE	FASTENER SIZE	INSERT PLATE HOLES USED	NUMBER OF HOLES
Bosch	1617	Fixed	10-24 x 5/8 in.	A1, A3, A5	3
Bosch	1617 EVS	Fixed	10-24 x 5/8 in.	A1, A3, A5	3
Bosch	1617 EVSPK	Fixed	10-24 x 5/8 in.	A1, A3, A5	3
Craftsman	17504	Fixed	10-32 x 5/8 in.	A2, A4, A6	3
Craftsman	17505	Fixed	10-32 x 5/8 in.	A2, A4, A6	3
Craftsman	17506	Fixed	10-32 x 5/8 in.	A2, A4, A6	3
Craftsman	17508	Fixed	10-32 x 5/8 in.	A2, A4, A6	3
Craftsman	17510	Fixed	10-32 x 5/8 in.	A2, A4, A6	3
Craftsman	17511	Fixed	10-32 x 5/8 in.	A2, A4, A6	3
Craftsman	17515	Plunge	5/16-18 x 3/4 in.	B1, B2, B4	3
Craftsman	17517	Plunge	10-32 x 5/8 in.	A2, A4, A6	3
Craftsman	17533	Fixed	10-32 x 5/8 in.	A2, A4, A6	3
Craftsman	17533	Plunge	5/16-18 x 3/4 in.	B1, B2, B4	3
Craftsman	24833	Fixed	10-32 x 5/8 in.	A2, A4, A6	3
Craftsman	24833	Plunge	5/16-18 x 3/4 in.	B1, B2, B4	3
Craftsman	27500	Fixed	5/16-18 x 3/4 in.	B1, B2, B4	3
Craftsman	26921	Fixed	10-32 x 5/8 in.	A2, A4, A6	3
Hitachi	M12V	Plunge	10-32 x 5/8 in.	A1, A3, A5	3
Hitachi	KM12VC	Fixed	10-32 x 5/8 in.	A1, A3, A5	3
Makita	RF1101	Fixed	10-24 x 5/8 in.	A1, A3, A5	3
Makita	RP1101	Plunge	10-24 x 5/8 in.	A1, A3, A5	3
Makita	RF1101K	Fixed/Plunge	10-24 x 5/8 in.	A1, A3, A5	3
Milwaukee	5615-20	Fixed	10-24 x 5/8 in.	A1, A3, A5	3
Milwaukee	5616-20	Fixed	10-24 x 5/8 in.	A1, A3, A5	3
Porter Cable	693LRPK	Plunge only	10-24 x 5/8 in.	A1, A3, A5	3
Porter Cable	694PK	Plunge only	10-24 x 5/8 in.	A1, A3, A5	3
Porter Cable	694VK	Plunge only	10-24 x 5/8 in.	A1, A3, A5	3
Porter Cable	892	Fixed	10-24 x 5/8 in.	A1, A3, A5	3
Porter Cable	893PK	Fixed	10-24 x 5/8 in.	A1, A3, A5	3
Porter Cable	7529	Plunge	10-24 x 5/8 in.	A1, A3, A5	3
Porter Cable	8529	Plunge	10-24 x 5/8 in.	A1, A3, A5	3
RIDGID	R2930	Fixed/Plunge	10-32 x 5/8 in.	A1, A3, A5	3
RIDGID	R22002	Fixed	10-32 x 5/8 in.	A1, A3, A5	3
Ryobi	R163GK	Fixed	5/16-18 x 3/4 in.	B1, B2, B4	3
Ryobi	R160	Fixed	5/16-18 x 3/4 in.	B1, B2, B4	3
Ryobi	R161K	Fixed	5/16-18 x 3/4 in.	B1, B2, B4	3
Ryobi	R162K	Fixed	5/16-18 x 3/4 in.	B1, B2, B4	3
Ryobi	R163K	Fixed	5/16-18 x 3/4 in.	B1, B2, B4	3
Ryobi	R165U	Fixed	5/16-18 x 3/4 in.	B1, B2, B4	3
Ryobi	R175	Plunge	5/16-18 x 3/4 in.	B1, B3	2
Ryobi	RE175	Plunge	5/16-18 x 3/4 in.	B1, B3	2
Ryobi	RE180PL/PL1/PL1G	Plunge	5/16-18 x 3/4 in.	B1, B3	2
Skil	1810	Fixed	10-32 x 5/8 in.	A2, A4, A6	3
Skil	1825	Fixed/Plunge	10-32 x 5/8 in.	A2, A4, A6	3

All identified trademarks and trade names are the property of their respective owners.

ASSEMBLY

INSTALLING THE ROUTER/INSERT PLATE ASSEMBLY

See Figure 11.

- Unplug the router table and/or the router.
- With the insert plate installed on the router, insert router and insert plate assembly into the router table with the notch in the insert plate facing the back of the router table away from the switch box.
- Install the insert plate screws and leave loose until all adjustments have been made.

MAKING INSERT PLATE LEVEL

See Figure 12.

- Unplug the router table and/or the router.
- Check to see if the insert plate mounted assembly is level with a straight edge or level.
- Loosen insert plate screws.
- Using the supplied hex key, tighten or loosen the adjusting screws depending on how the insert plate needs to be adjusted in order to make the insert plate level.
- Tighten insert plate screws with a screwdriver.

ATTACHING THE FENCE ASSEMBLY

See Figure 13.

- Unplug the router table and/or the router.
- Place the router table right side up with the back edge closest to you.
- Slide the carriage bolt washers onto the carriage bolts.
- Slide carriage bolts through the slot in the router table and through the slots in the fence assembly.
- Slide the fence lock knob washer over the carriage bolts.
- Install the fence lock knobs over the carriage bolts.
- Tighten the fence lock knobs.

⚠ WARNING:

Make sure throat plates snap securely into place. Do not use if snaps are damaged or throat plates do not snap in securely. Failure to do so could result in serious personal injury.

INSERTING AND REMOVING THROAT PLATES

See Figure 14.

The throat plate provides a stable surface around the cutter and prevents objects from falling through the throat plate and damaging the spindle.

The proper size throat plate depends on the size and shape of the cutter. When inserted, the throat plate opening should be within approximately 1/4 in. of the outermost edge of the cutter.

- Unplug the router table and/or the router.
- Select the throat plate you wish to use.

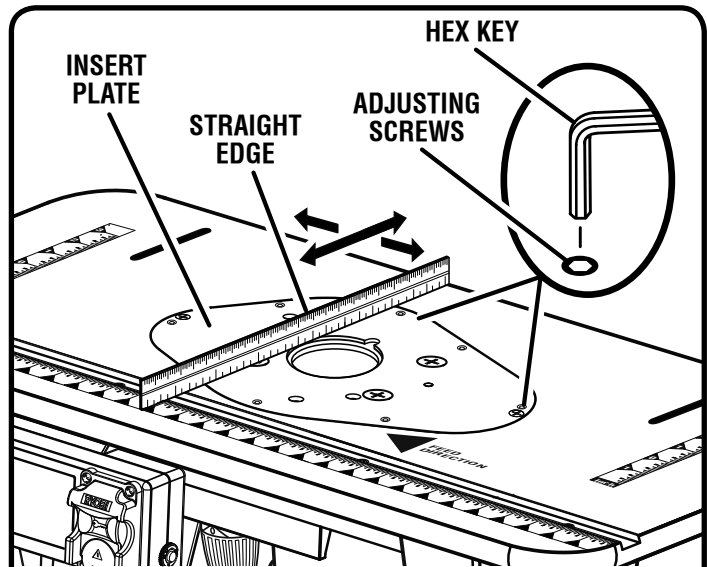


Fig. 12

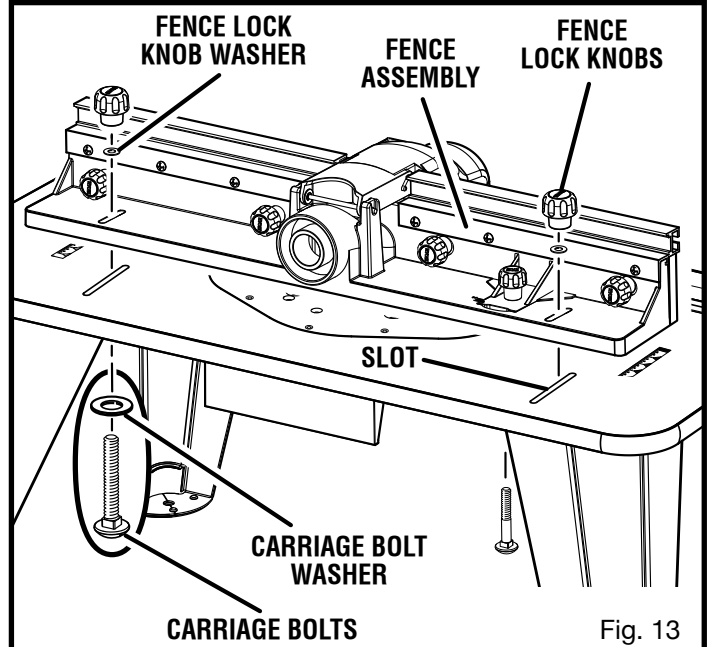


Fig. 13

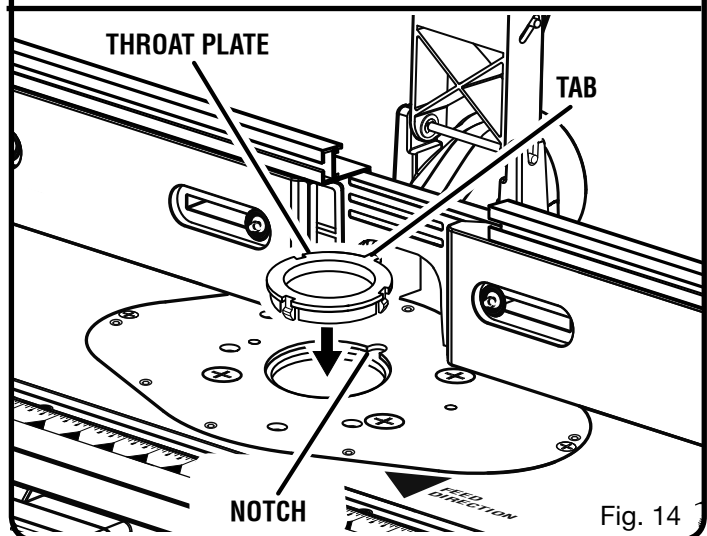


Fig. 14

ASSEMBLY

- Press throat plate into insert plate slot until it snaps into place.
- To remove, push throat plate out from the bottom of the insert plate.

ATTACHING THE FEATHERBOARD

See Figure 15.

- Unplug the router table and/or the router.
- Insert the featherboard bolts through the slots in the fence assembly.
- Slide the featherboard over the featherboard bolts.
- Install the fence lock knobs and carriage bolt washers over the carriage bolts.
- Tighten the fence lock knobs.

INSERTING THE STARTING PIN

See Figure 16.

Remove the starting pin from the blister pack. Place the starting pin on the router table and use it as a pivot point when cutting small, odd-shaped pieces.

NOTE: It is not necessary to use the fence when you are using the starting pin, but the bit guard should be used to cover the cutter. Additionally, only use piloted cutters when using the starting pin.

- Unplug the router table and/or the router.
- Place the starting pin into the hole to the right of the router table throat opening.
- Push the pin in to secure.

INSTALLING THE MITER GAUGE

See Figure 17.

- Unplug the router table and/or the router.
- With the router table right side up, and the front edge closest to you, place the miter gauge bar in the slot near the front of the table with the pointer on the right.

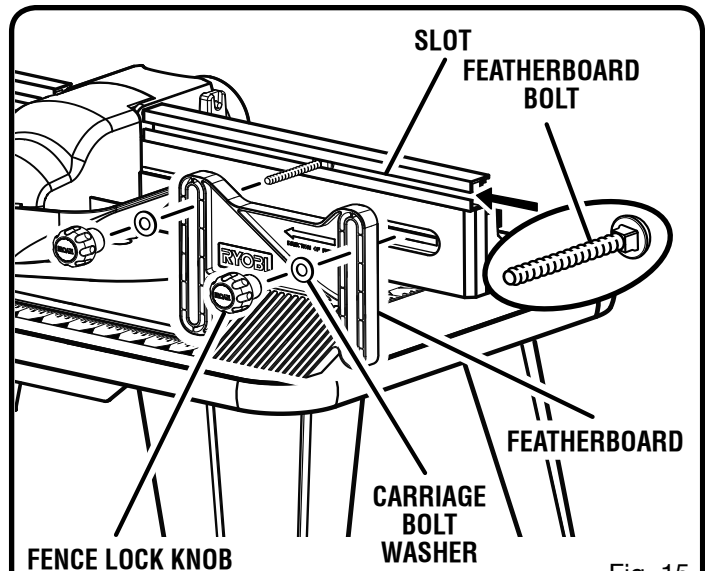


Fig. 15

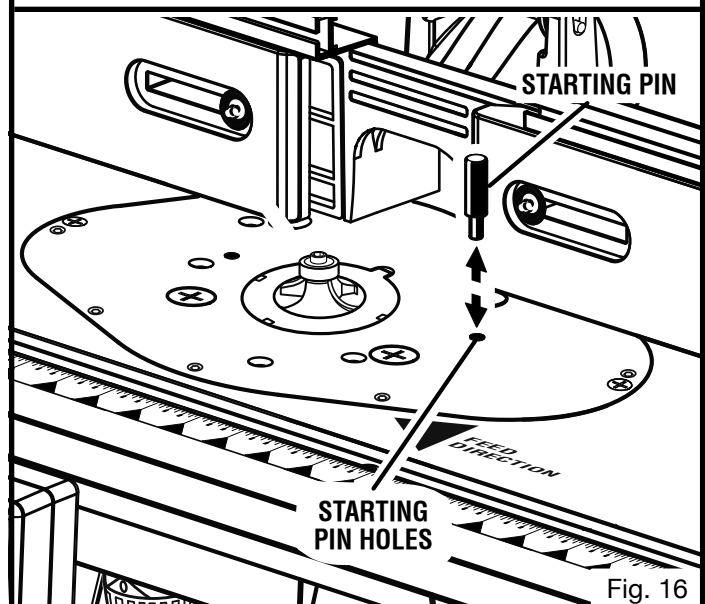


Fig. 16

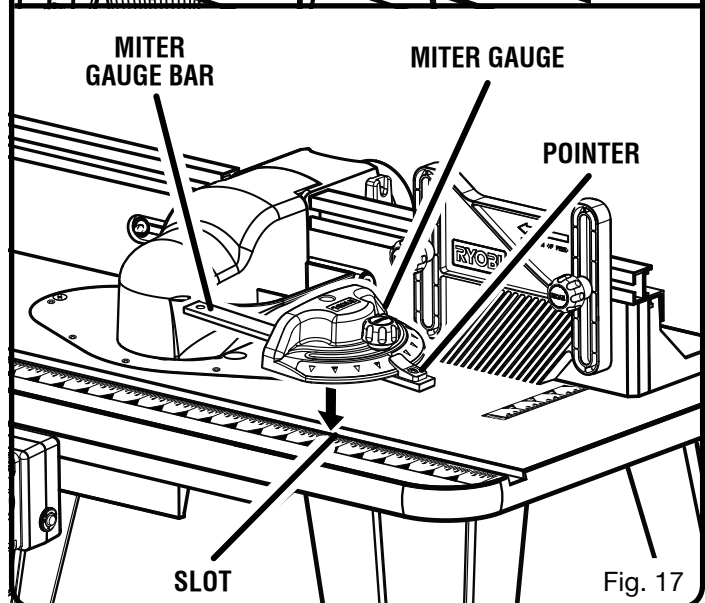


Fig. 17

ASSEMBLY

ATTACHING THE VACUUM HOSE

See Figure 18.

The vacuum port molded into the fence will accept either a 1-1/4 in. or 2-1/2 in. vacuum attachment.

CLAMPING THE ROUTER TABLE TO A WORK BENCH

See Figure 19.

- Unplug the router table and/or the router.
- Place the router table right side up on a sturdy work surface; e.g., leg stand, workbench, counter top.
- Using a clamp, insert the top front of clamp through the opening in the router table leg.
- Tighten clamp securely.

MOUNTING THE ROUTER TABLE TO A WORK BENCH

See Figure 20.

- Unplug the router table and/or the router.
- Place the router table right side up on a sturdy work surface; e.g., leg stand, workbench, counter top.
- Mark the holes with a pencil.
- Remove the router table.
- Drill four holes through the work surface.
- Place the router table back on the work surface, aligning the holes in the table legs with the holes in the work surface.

NOTE: Position the router table surface at approximately hip height.

- Insert four bolts (not included, 1/4-20 recommended) and tighten securely with flat washers, lock washers, and hex nuts (not included).

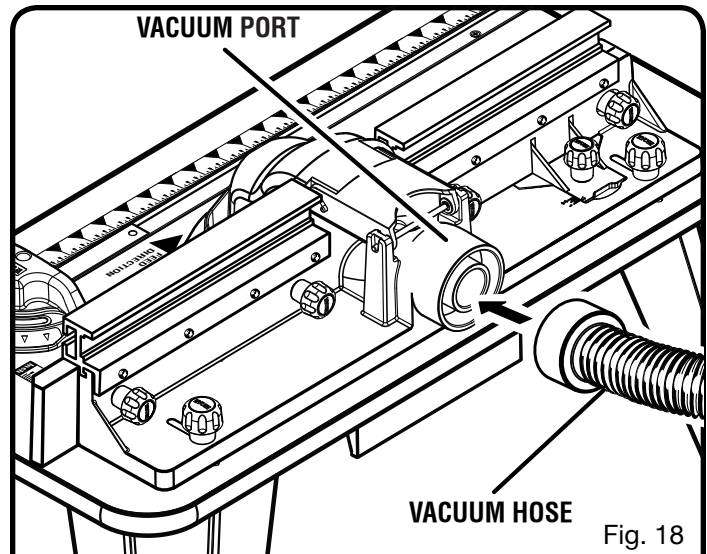


Fig. 18

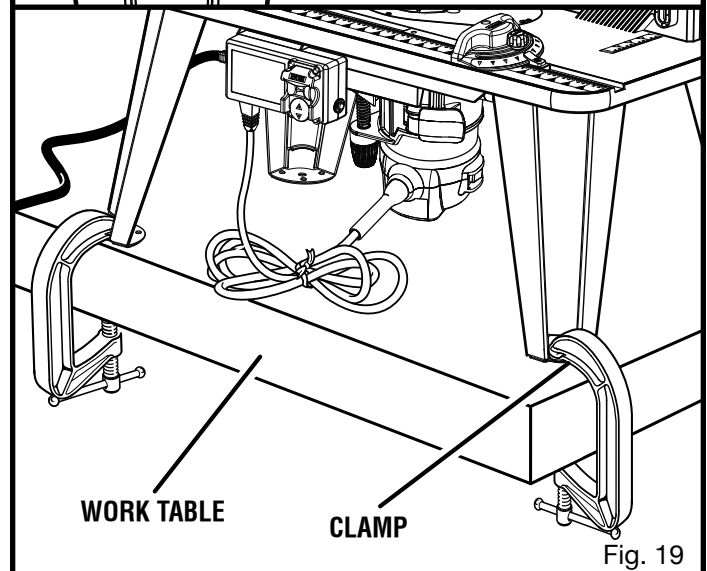


Fig. 19

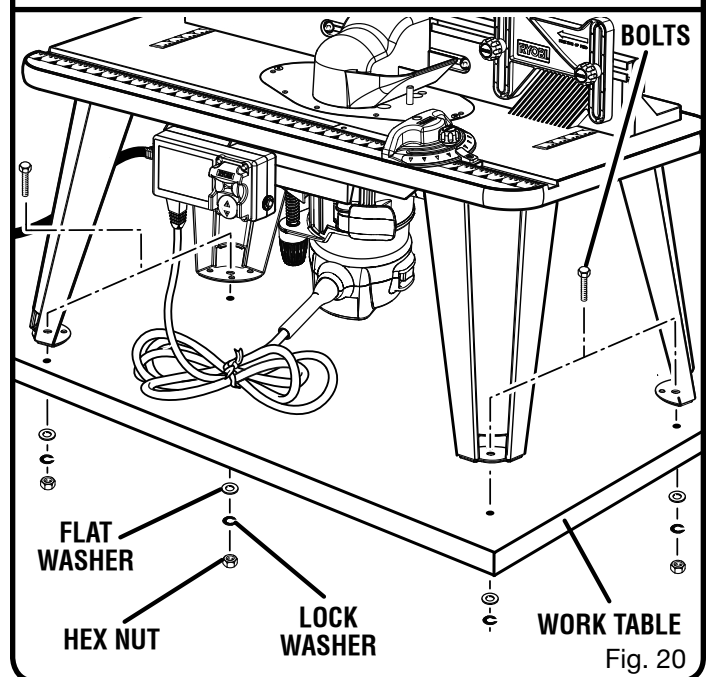


Fig. 20

OPERATION

WARNING:

Do not allow familiarity with products to make you careless. Remember that a careless fraction of a second is sufficient to inflict serious injury.

WARNING:

Always wear eye protection with side shields marked to comply with ANSI Z87.1. Failure to do so could result in objects being thrown into your eyes, resulting in possible serious injury.

WARNING:

Do not use any attachments or accessories not recommended by the manufacturer of this product. The use of attachments or accessories not recommended can result in serious personal injury.

APPLICATIONS

You may use this product for the purposes listed below:

- Table mounted dado and mortise operations in wood and wood composition materials
- Fence guided edging operations for cabinetry and picture framing on wood and wood composition materials
- Piloted cutter operations using the starting pin for edging patterned surfaces on wood and wood composition materials

WARNING:

The router or router table should never be connected to a power supply when you are assembling parts, making adjustments, installing or removing cutters, cleaning, or when not in use. Disconnecting the router and router table will prevent accidental starting that could cause serious personal injury.

WARNING:

The direction of feed for the workpiece is always against the sharp edges of the cutter and therefore into the rotation of the cutter. Failure to heed this warning can result in serious personal injury.

WARNING:

When operating the router with the router table, the router must only be plugged into and controlled by the router table switched outlet. To reduce the risk of serious personal injury, never connect the table mounted router into another power source.

OPERATION

PERFORMING A ROUTING OPERATION

See Figures 21 - 23.

Observe the following rules when using the router:

- Read the entire operator's manual for the router and router table.
- Plug the router table power cord into a power source.
- Always control the power to the router with the router table switch whenever the router is mounted on the table.
- Always plug the router into either of the router table switched outlets. Never plug a router table mounted router into another power source.

- Position the infeed and outfeed fence so they are close to the maximum diameter of the cutter, but not touching the cutter.

NOTE: The workpiece must always be tight against the fence, unless you are using a ball-bearing piloted cutter.

- Adjust the infeed fence to support the uncut workpiece and adjust the outfeed fence to support the workpiece after the cut. The "0" location on the fence scale denotes the center of the throat opening of the table.
- Reconfirm that all router adjustments are securely locked before connecting the router table to a power source.
- The cutter rotates counterclockwise (as viewed above the table) on the router table. Always feed the workpiece against the sharp edges of the cutter.
- Make sure the router table switch is **OFF (O)** when not in use. Remove the switch key to ensure the router table is off.

WARNING:

Never feed the workpiece in the same direction of rotation of the bit. Feeding in this direction can cause the workpiece to climb over the bit and cause serious personal injury.

WARNING:

When making a side or edge cut, never position the fence such that the workpiece is located between the cutter and the fence. Failure to heed this warning can result in serious personal injury.

INSERTING/REMOVING CUTTERS

- Unplug the router table and/or the router.
- Remove the router/insert plate assembly. (See **Installing Router/Insert Plate Assembly** in the *Assembly* section.)

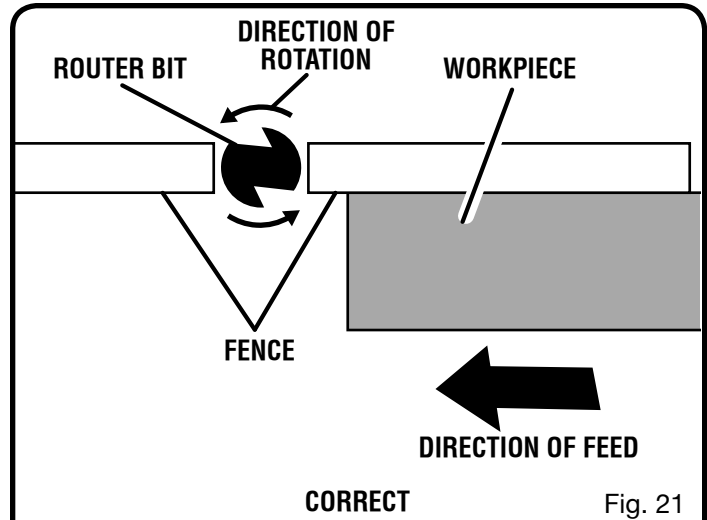


Fig. 21

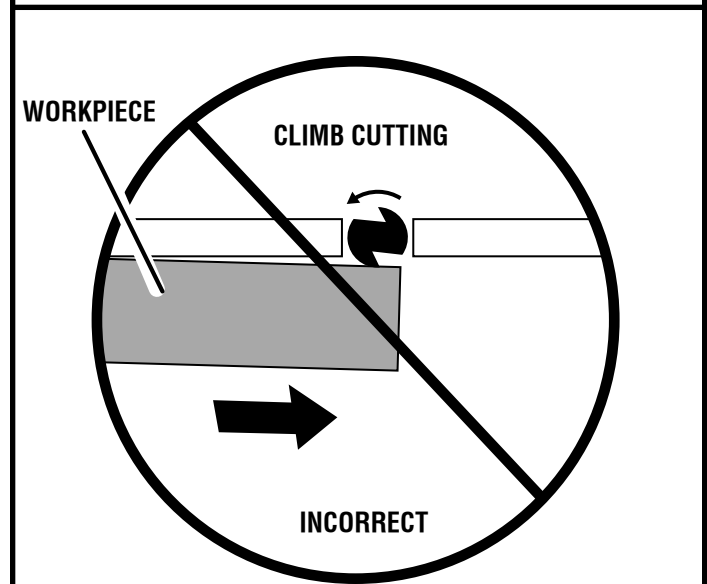


Fig. 22

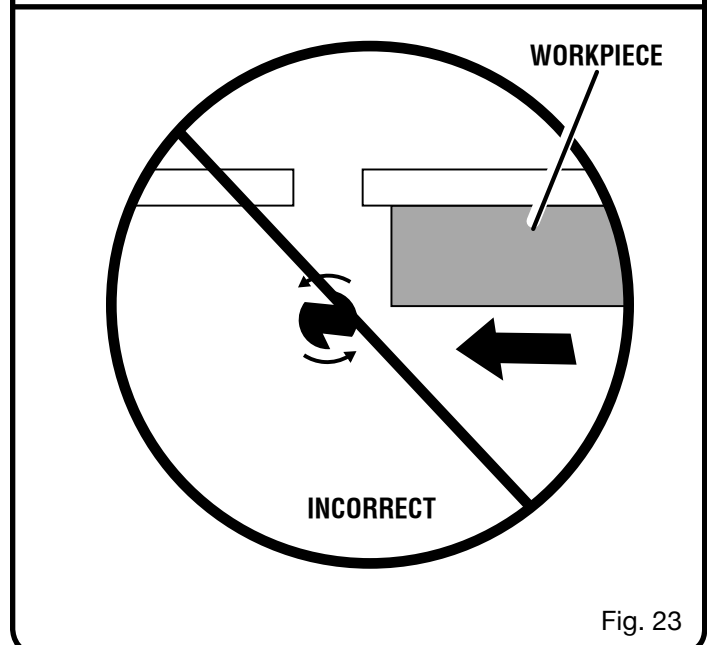


Fig. 23

OPERATION

⚠ WARNING:

If you are changing a cutter immediately after use, be careful not to touch the cutter or collet with your hands or fingers. They will get burned because of the heat buildup from cutting. Always use a wrench.

- Consult the router operator's manual for proper cutter removal/installation procedure and replace cutter.

ADJUSTING DEPTH OF CUT

Consult the router operator's manual for adjusting the depth of cut.

ADJUSTING THE MITER GAUGE

See Figure 24.

- Unplug the router table and/or the router.
- Loosen the miter gauge knob.
- Rotate the miter gauge to the desired angle.
- Tighten the miter gauge knob.

POSITIONING THE FENCE

See Figure 25.

The fence enables you to support and guide the workpiece.

- Unplug the router table and/or the router.
- Loosen the fence lock knobs.
- Position the fence to the desired location.
- Tighten the fence lock knobs.

NOTE: The outfeed fence has joining capabilities and can be adjusted out in increments up to 1/4 in. and enable you to support the workpiece as it exits the cutter.

⚠ WARNING:

When making a side or edge cut, never position the fence such that the workpiece is located between the cutter and the fence. Failure to heed this warning can result in serious personal injury.

- A groove can be cut in the workpiece by adjusting the fence back from the cutter. When cutting a groove, feed the workpiece from right to left. When widening an existing groove, make certain that the side being cut is against the leading edge of the cutter. This would be the side farthest from the fence when the workpiece is fed from right to left. As shown in figures 21 - 23.

⚠ WARNING:

When making a secondary groove cut to widen a groove, always cut the groove against the direction of rotation of the cutter. Failure to do this can cause the workpiece to pull away and can result in serious personal injury.

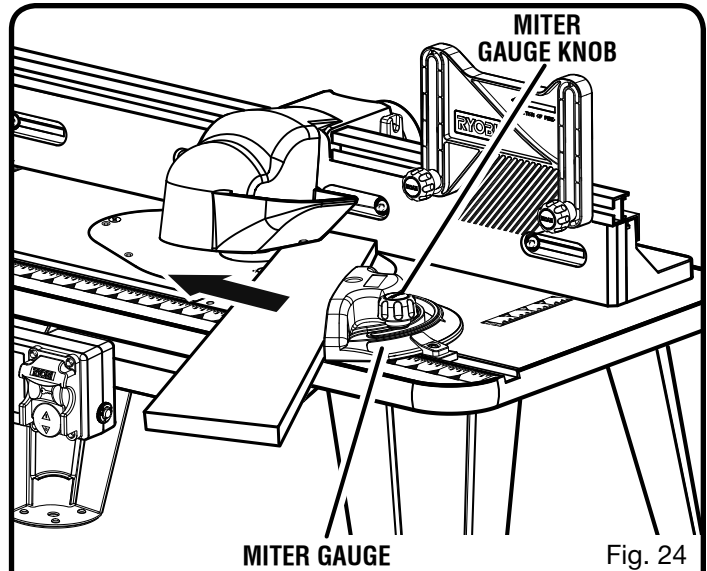


Fig. 24

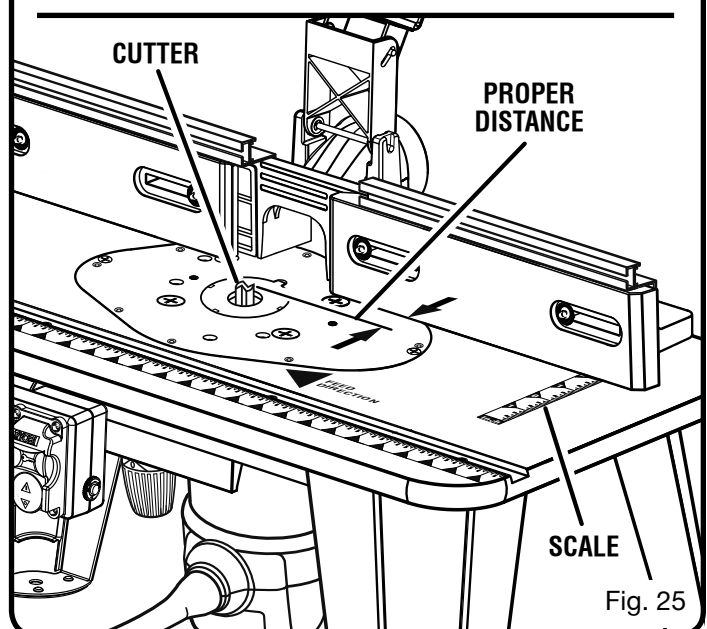
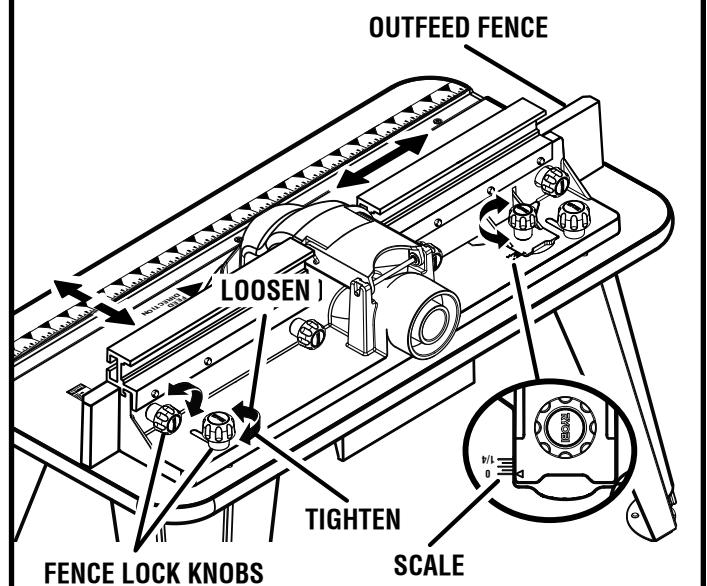


Fig. 25

MAINTENANCE

WARNING:

When servicing, use only identical replacement parts. Use of any other parts could create a hazard or cause product damage.

WARNING:

Always wear eye protection with side shields marked to comply with ANSI Z87.1, along with hearing protection. Failure to do so could result in objects being thrown into your eyes and other possible serious injuries.

GENERAL MAINTENANCE

Avoid using solvents when cleaning plastic parts. Most plastics are susceptible to damage from various types of commercial solvents and may be damaged by their use. Use clean cloths to remove dirt, dust, oil, grease, etc.

WARNING:

Do not at any time let brake fluids, gasoline, petroleum-based products, penetrating oils, etc., come in contact with plastic parts. Chemicals can damage, weaken or destroy plastic which could result in serious personal injury.

Electric tools used on fiberglass material, wallboard, spackling compounds, or plaster are subject to accelerated wear and possible premature failure because the fiberglass chips and grindings are highly abrasive to bearings, brushes, commutators, etc. Consequently, we do not recommend using this tool for extended work on these types of materials. However, if you do work with any of these materials, it is extremely important to clean the tool using compressed air.

RÈGLES DE SÉCURITÉ GÉNÉRALES

AVERTISSEMENT :

Lire attentivement toutes les instructions. Le non-respect des instructions ci-dessous peut entraîner un choc électrique, un incendie et des blessures graves.

LIRE TOUTES LES INSTRUCTIONS

- **VEILLER À BIEN CONNAÎTRE L'OUTIL.** Soigneusement lire le toupie ajourne le manuel d'utilisation et le manuel pour le toupie particulier que vous utilisez. Apprendre les applications et les limites de la scie, ainsi que les risques spécifiques relatifs à son utilisation.
- **SE PROTÉGER DES CHOC ÉLECTRIQUES EN ÉVITANT TOUT CONTACT DU CORPS AVEC DES SURFACES MISES À LA TERRE.** Par exemple : tuyaux, radiateurs, cuisinières, réfrigérateurs.
- **MAINTENIR TOUS LES DISPOSITIFS DE PROTECTION EN PLACE** et en bon état de fonctionnement.
- **RETIRER LES CLÉS ET OUTILS DE RÉGLAGE.** Prendre l'habitude de vérifier que tous les outils et clés de réglage ont été retirés de l'outil avant de le mettre en marche.
- **GARDER LE LIEU DE TRAVAIL PROPRE.** Les établis encombrés et les endroits sombres sont propices aux accidents. **NE PAS** laisser d'outils ou de pièces de bois sur la scie en fonctionnement.
- **NE PAS UTILISER DANS DES ENVIRONNEMENTS DANGEREUX.** Ne pas utiliser les outils électriques dans des endroits mouillés ou humides, ne pas les exposer à la pluie. Garder le lieu de travail bien éclairé.
- **GARDER LES ENFANTS ET VISITEURS À L'ÉCART.** Tous les visiteurs doivent porter des lunettes de sécurité et se tenir à bonne distance de la zone de travail. Ne pas laisser les visiteurs toucher l'outil ou son cordon d'alimentation pendant le fonctionnement.
- **ASSURER LA SÉCURITÉ DES ENFANTS** en installant des cadenas et des disjoncteurs ou en retirant les clés de contact.
- **NE PAS FORCER L'OUTIL.** Il exécutera le travail mieux et de façon moins dangereuse s'il fonctionne dans les limites prévues.
- **UTILISER L'OUTIL APPROPRIÉ.** Ne pas utiliser l'outil ou un accessoire pour effectuer un travail pour lequel il n'est pas conçu. Ne pas utiliser l'outil pour une application non prévue.
- **UTILISER UN CORDON PROLONGATEUR ADÉQUAT.** S'assurer que le cordon prolongateur est en bon état. Utiliser exclusivement un cordon d'une capacité suffisante pour supporter le courant de fonctionnement de l'outil. Un cordon de capacité insuffisante causerait une baisse de la tension de ligne, entraînant une perte de puissance et une surchauffe. Un calibre de fil (A.W.G) d'au minimum **14** est recommandé pour un cordon prolongateur de 7,5 m (25 pi) ou moins. En cas de doute, utiliser un cordon du calibre immédiatement supérieur. Moins le numéro de calibre est élevé, plus la capacité du fil est grande.
- **PORTER UNE TENUE APPROPRIÉE.** Ne pas porter de vêtements amples, gants, cravate ou bijoux. Ces articles pourraient être happés et tirer la main ou une partie du corps dans les pièces en mouvement. Des gants en caoutchouc et des chaussures antidérapantes sont recommandées pour le travail à l'extérieur. Les cheveux longs doivent être ramassés sous un couvre-chef.
- **TOUJOURS PORTER DES LUNETTES DE SÉCURITÉ À COQUES LATÉRALES.** Les lunettes de vue ordinaires sont munies seulement de verres résistants aux impacts ; ce ne sont **PAS** des lunettes de sécurité.
- **ASSUJETTIR LES PIÈCES.** Dans la mesure du possible, utiliser des serre-joints ou un étau pour maintenir la pièce. Cette pratique réduit les risques et laisse les deux mains libres.
- **NE PAS TRAVAILLER HORS DE PORTÉE.** Toujours se tenir bien campé et en équilibre.
- **ENTREtenir SOIGNEUSEMENT LES OUTILS.** Garder les outils bien affûtés et propres pour accroître la sécurité et les performances. Suivre les instructions de lubrification et de changement d'accessoires.
- **DÉBRANCHER TOUS LES OUTILS.** Tous les outils doivent être débranchés lorsqu'ils ne sont pas en usage et avant toute opération d'entretien ou de changement d'accessoire, lame, foret, fers, etc.
- **ÉVITER LES DÉMARRAGES ACCIDENTELS.** S'assurer que le commutateur est en position d'arrêt avant de brancher un outil.
- **UTILISER LES ACCESSOIRES RECOMMANDÉS.** Voir les accessoires recommandés dans le manuel d'utilisation. L'utilisation d'accessoires inadéquats peut causer des blessures.
- **NE JAMAIS MONTER SUR L'OUTIL.** Un basculement pourrait entraîner des blessures graves ou si l'on touche involontairement la partie tranchante.
- **VÉRIFIER L'ÉTAT DES PIÈCES.** Avant d'utiliser l'outil de nouveau examiner soigneusement les pièces et dispositifs de protection qui semblent endommagés afin de déterminer s'ils fonctionnent correctement et s'ils remplissent les fonctions prévues. Vérifier l'alignement des pièces mobiles, s'assurer qu'aucune pièce n'est bloquée ou cassée, vérifier la fixation de chaque pièce et s'assurer qu'aucun autre problème ne risque d'affecter le bon fonctionnement de l'outil. Pour éviter les risques de blessures, toute protection ou pièce endommagée doit être correctement réparée ou remplacée dans un centre de réparations agréé.
- **NE JAMAIS LAISSER L'OUTIL EN FONCTIONNEMENT SANS SURVEILLANCE. COUPER L'ALIMENTATION ÉLECTRIQUE.** Ne pas s'éloigner de l'outil avant qu'il soit parvenu à un arrêt complet.
- **ENGAGER LES PIÈCES DANS LE SENS CORRECT.** La pièce ne doit être engagée que contre le sens de rotation de la lame, de l'accessoire ou de la toupie de ponçage.
- **PORTER UNE PROTECTION RESPIRATOIRE.** Porter un masque facial ou respiratoire si le travail produit de la poussière.

RÈGLES DE SÉCURITÉ GÉNÉRALES




- **PORTER UNE PROTECTION AUDITIVE.** Porter une protection auditive durant les périodes d'utilisation prolongée.
- **NE PAS MALTRAITER LE CORDON D'ALIMENTATION.** Ne jamais tirer sur le cordon pour le débrancher de la prise secteur. Garder le cordon à l'écart de la chaleur, de l'huile et des objets tranchants.
- **N'UTILISER QUE DES CORDONS PROLONGATEURS POUR EXTÉRIEUR.** Quand l'outil est dehors utilisé, l'usage seulement rallonges ont marqué « W-UN » ou le « W ». Ces cordes sont évaluées pour l'usage extérieur et réduisent le risque de décharge électrique.
- **NE JAMAIS UTILISER CET OUTIL DANS UNE ATMOSPHÈRE EXPLOSIVE.** Les étincelles normalement produite par le moteur pourraient enflammer les vapeurs.
- **INSPECTER RÉGULIÈREMENT LES CORDONS DE L'OUTIL.** Faire remplacer tout commutateur défectueux par un technicien qualifié ou un centre de réparations agréé. Le fil à gaine verte, avec ou sans traceur jaune est le fil de terre. Si le cordon doit être réparé ou remplacé, ne pas connecter le fil de terre de l'outil sur une borne sous tension. Tout cordon endommagé doit être réparé ou remplacé immédiatement. Toujours rester conscient de l'emplacement du cordon et veiller à le tenir à l'écart de la lame en rotation.
- **INSPECTER RÉGULIÈREMENT LES CORDONS PROLONGATEURS** et les remplacer s'ils sont endommagés.
- **GARDER L'OUTIL SEC, PROPRE ET EXEMPT D'HUILE OU DE GRAISSE.** Toujours utiliser un chiffon propre pour le nettoyage. Ne jamais utiliser de liquide de freins, d'essence ou de produits à base de pétrole pour nettoyer l'outil.
- **RESTER VIGILANT ET GARDER LE CONTRÔLE.** Se montrer attentif et faire preuve de bon sens. Ne pas utiliser l'outil en état de fatigue. Ne pas se presser.
- **NE PAS UTILISER L'OUTIL SI LE COMMUTATEUR NE PERMET PAS DE LE METTRE EN MARCHÉ OU DE L'ARRÊTER.** Faire remplacer les commutateurs défectueux dans un centre de réparations agréé.
- **NE PAS UTILISER CET OUTIL SOUS L'INFLUENCE DE L'ALCOOL, DE DROGUES OU DE MÉDICAMENTS.**
- Utiliser exclusivement des pièces identiques à celles d'origine **POUR LES RÉPARATIONS.** L'usage de toute autre pièce pourrait créer une situation dangereuse ou endommager l'outil.
- **UTILISER EXCLUSIVEMENT LES ACCESSOIRES RECOMMANDÉS** dans ce manuel ou ses addendas. L'emploi de tout accessoire non recommandé peut présenter un risque de blessure. Les instructions de sécurité d'utilisation sont fournies avec les accessoires.

RÈGLES DE SÉCURITÉ PARTICULIÈRES





- **POUR VOTRE PROPRE SÉCURITÉ,** lire ce toupie manuel de utilisation et le manuel de utilisation avant de fonctionner le routeur ou l'utilisation de la table de toupie.
- **TOUJOURS UTILISER EL GARDE DE COUPEUR.**
- **EN UTILISANT LE ROUTEUR SUR LA TABLE DE TOUPIE,** le routeur doit être connecté à la sortie de commutateur de table de routeur.
- **GARDER DES MAINS LOIN DE LA COUPE DE SECTEUR.** Pas la portée au-dessous de la table ou dans le chemin de coupe avec vos mains ou vos doigts à tout moment pendant que l'outil est connecté à une source de pouvoir.
- **NE PAS PLACER LES MAINS DANS DES POSITIONS INCONFORTABLES.**
- **FERMEMENT LE SERRE-JOINT OU VERROUILLE LA TABLE DE ROUTEUR A UNE SURFACE DE TRAVAIL** pour que la surface de table de routeur est approximativement la hauteur d'hanche.
- **TOUJOURS FAIRE AVANCER LA PIÈCE DANS LE SENS CONTRAIRE DE LA ROTATION DU FER.**
- **INSPECTER LA PIÈCE ET RETIRER LES CLOUS ÉVENTUELS AVANT D'UTILISER CET OUTIL.** Le respect de cette consigne réduira les risques de blessures graves.
- **NE PAS APPROCHER SES DOIGTS DU COUTEAU EN ROTATION, UTILISER DES GABARITS AU BESOIN.**
- **TOUJOURS MAINTENIR FERMEMENT EN PLACE LA PIÈCE À TRAVAILLER CONTRE LA TABLE ET LE GUIDE.**
- **SI LE CORDON D'ALIMENTATION EST ENDOMMAGÉ,** il doit être remplacé uniquement pas le fabricant ou par un centre de réparation agréé pour éviter tout risque.
- **CONSERVER CES INSTRUCTIONS.** Les consulter fréquemment et les utiliser pour instruire les autres utilisateurs éventuels. Si cet outil est prêté, il doit être accompagné de ces instructions.

SYMBOLES

Les termes de mise en garde suivants et leur signification ont pour but d'expliquer le degré de risques associé à l'utilisation de ce produit.

SYMBOLE	SIGNAL	SIGNIFICATION
	DANGER :	Indique une situation dangereuse qui, si elle n'est pas évitée, aura pour conséquences des blessures graves ou mortelles.
	AVERTISSEMENT :	Indique une situation dangereuse qui, si elle n'est pas évitée, pourrait entraîner des blessures graves ou mortelles.
	ATTENTION :	Indique une situation dangereuse qui, si elle n'est pas évitée, pourrait entraîner des blessures légères ou de gravité modérée.
	AVIS :	(Sans symbole d'alerte de sécurité) Indique les informations jugées importantes sans toutefois représenter un risque de blessure (ex. : messages concernant les dommages matériels).

Certains des symboles ci-dessous peuvent être utilisés sur produit. Veiller à les étudier et à apprendre leur signification. Une interprétation correcte de ces symboles permettra d'utiliser produit plus efficacement et de réduire les risques.

SYMBOLE	NOM	DÉSIGNATION / EXPLICATION
	Symbole d'alerte de sécurité	Indique un risque de blessure potentiel.
	Lire le manuel d'utilisation	Pour réduire les risques de blessures, l'utilisateur doit lire et veiller à bien comprendre le manuel d'utilisation avant d'utiliser ce produit.
	Protection oculaire	Toujours porter une protection oculaire avec écrans latéraux certifiée conforme à la norme ANSI Z87.1.
	Avertissement concernant l'humidité	Ne pas exposer à la pluie ou l'humidité.
V	Volts	Tension
A	Ampères	Intensité
Hz	Hertz	Fréquence (cycles par seconde)
min	Minutes	Temps
~	Courant alternatif	Type de courant
n_0	Vitesse à vide	Vitesse de rotation à vide
.../min	Par minute	Tours, coups, vitesse périphérique, orbites, etc., par minute

CARACTÉRISTIQUES ÉLECTRIQUES

CORDONS PROLONGATEURS

Utiliser exclusivement des cordons prolongateurs à 3 fils doté d'une fiche à prise de terre branchés sur une prise triphasée compatible avec la fiche de l'produit. Lors de l'utilisation d'un produit électrique à grande distance d'une prise secteur, veiller à utiliser un cordon prolongateur d'une capacité suffisante pour supporter l'appel de courant de l'produit. Un cordon de capacité insuffisante causerait une baisse de la tension de ligne, entraînant une perte de puissance et une surchauffe. Se reporter au tableau ci-dessous pour déterminer le calibre minimum de fil requis pour un cordon donné. Utiliser exclusivement des cordons à gaine cylindrique homologués par Underwriter's Laboratories (UL).

**Intensité nominale (sur la plaquette signalétique de l'produit)

	0-2,0	2,1-3,4	3,5-5,0	5,1-7,0	7,1-12,0	12,1-16,0
Longueur du cordon	Calibre de fil (A.W.G.)					
25'	16	16	16	16	14	14
50'	16	16	16	14	14	12
100'	16	16	14	12	10	—

**Utilisé sur circuit de calibre 12 – 20 A

NOTE : AWG = American Wire Gauge

Pour le travail à l'extérieur, utiliser un cordon prolongateur spécialement conçu à cet effet. Ce type de cordon porte l'inscription « W-A » ou « W » sur sa gaine.

Avant d'utiliser un cordon prolongateur, vérifier que ses fils ne sont ni détachés ni exposés et que son isolation n'est ni coupée, ni usée.

AVERTISSEMENT :

Maintenir le cordon prolongateur à l'écart de la zone de travail. Lors du travail avec un cordon électrique, placer le cordon de manière à ce qu'il ne risque pas de se prendre dans les pièces de bois, produits et autres obstacles. Ne pas prendre cette précaution peut entraîner des blessures graves.

AVERTISSEMENT :

Vérifier l'état des cordons prolongateurs avant chaque utilisation. Remplacer immédiatement tout cordon endommagé. Ne jamais utiliser un produit dont le cordon d'alimentation est endommagé, car tout contact avec la partie endommagée pourrait causer un choc électrique et des blessures graves.

CONNEXION ÉLECTRIQUE

Cet produit doit être branché uniquement sur une **alimentation 120 V, c.a. seulement (courant résidentiel standard), 60 Hz**. Ne pas utiliser cet produit sur une source de courant continu (c.c.). Une chute de tension importante causerait une perte de puissance et une surchauffe du moteur. Si l'produit ne fonctionne pas une fois branché, vérifier l'alimentation électrique.

VITESSE ET CÂBLAGE

La vitesse n'est pas constante et elle diminue sous une charge ou en présence d'une baisse de tension. Le câblage de l'atelier est aussi important que la puissance nominale du moteur. Une ligne conçue seulement pour l'éclairage ne peut pas alimenter correctement le moteur d'un produit électrique. Un fil électrique d'une capacité suffisante pour une courte distance ne le sera pas nécessairement pour une distance plus longue. Une ligne dont la capacité est suffisante pour un produit électrique ne l'est pas nécessairement pour deux ou trois.

INSTRUCTIONS DE MISE À LA TERRE

Voir la figure 1.

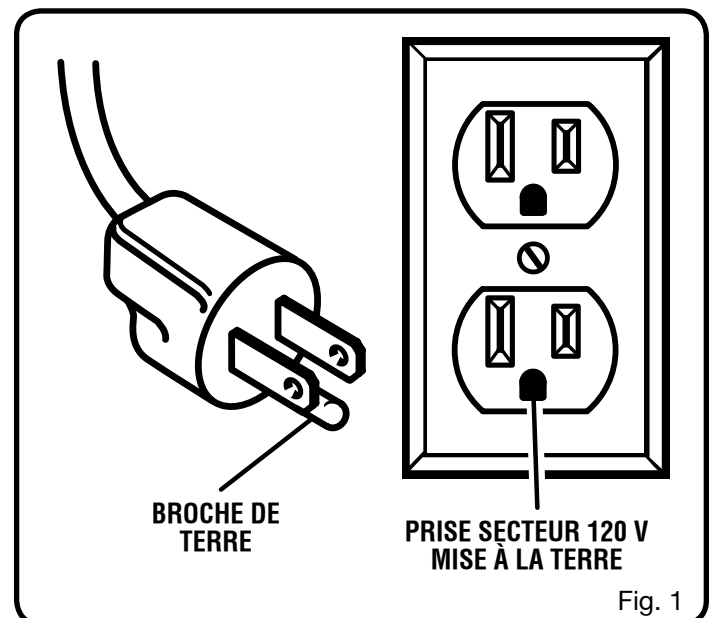
En cas de problème de fonctionnement ou de panne, la mise à la terre fournit un chemin de résistance au courant électrique, pour réduire le risque de choc électrique. Cet produit est équipé d'un cordon électrique avec conducteur et fiche de mise à la terre. Le cordon doit être branché sur une prise correctement installée et mise à la terre conformément à tous les codes et réglementations locaux en vigueur.

Ne pas modifier la fiche fournie. Si elle ne peut pas être insérée dans la prise secteur, faire installer une prise adéquate par un électricien qualifié. L'usage d'un cordon prolongateur incorrect peut présenter des risques de choc électrique. Le fil à gaine verte, avec ou sans traceur jaune est le fil de terre. Si le cordon doit être réparé ou remplacé, ne pas connecter le fil de terre de l'produit sur une borne sous tension.

Consulter un électricien qualifié ou le personnel de service si les instructions de mise à la terre ne sont pas bien comprises, ou en cas de doute au sujet de la mise à la terre.

Tout cordon endommagé doit être réparé ou remplacé immédiatement.

Cet produit est conçu pour être branché sur un circuit comportant une prise telle que celle montrée à la figure 1. Sa fiche est dotée d'une broche de terre semblable à celle représentée.



CARACTÉRISTIQUES

FICHE TECHNIQUE

Dimensions de la table 406,4 mm x 812,8 mm x 25,4 mm
(16 po x 32 po x 1 po)

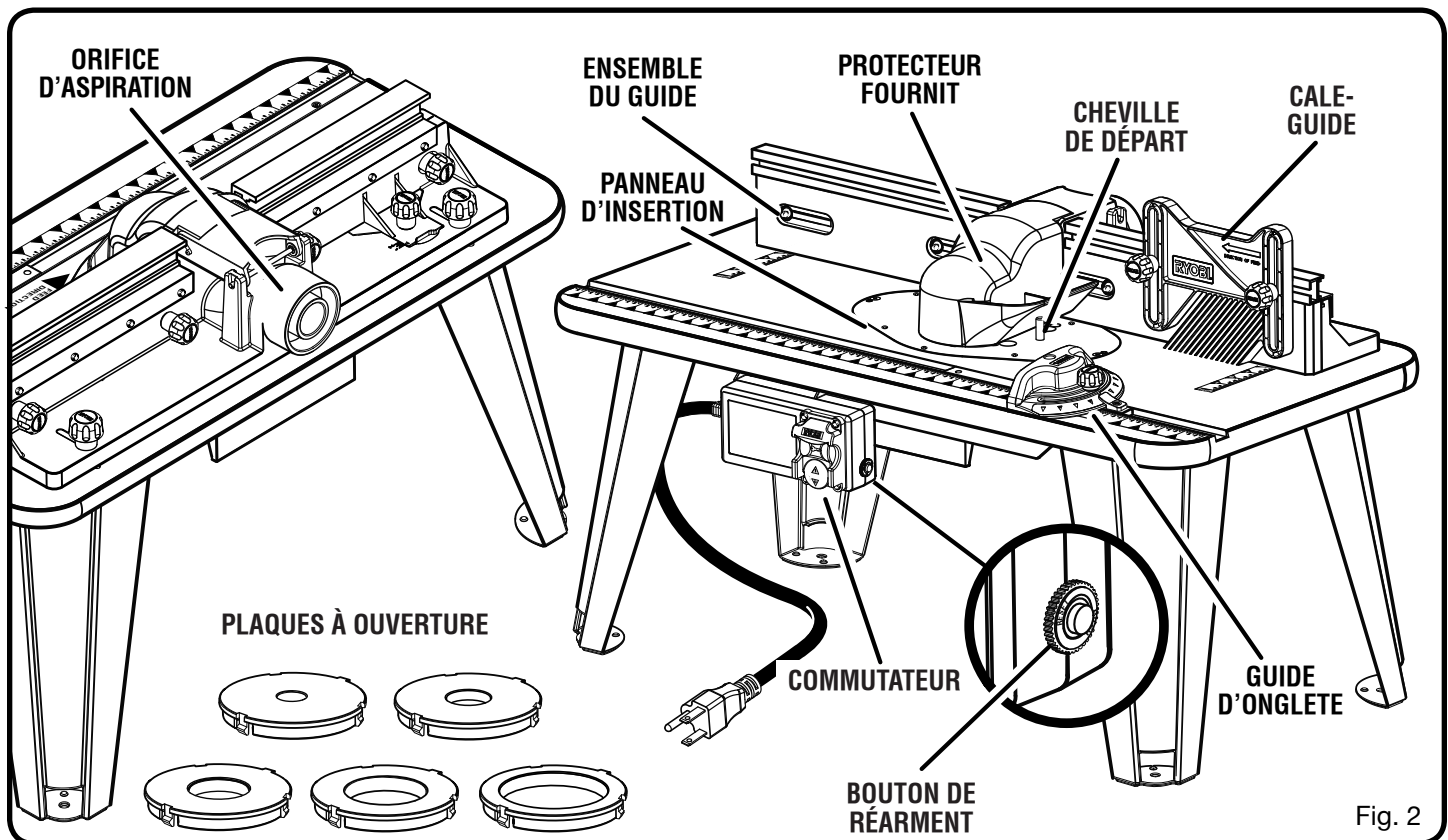
Diamètre maximum du fer 49,21 mm (1-15/16 po)

Longueur du guide 711,2 mm (28 po)

Rainure du guide d'onglet .. 6,35 mm x 19,01 mm x 812,8 mm
(1/4 po x 3/4 po x 32 po)

Alimentation nominale 120 V, 60 Hz, c.a. seulement, 15 A

Poids net 12,7 kg (28 lbs.)



VEILLER À BIEN CONNAÎTRE LA TABLE À TOUPIE

Voir la figure 2.

La sécurité d'utilisation de ce produit exige la compréhension des informations apposées sur l'outil et contenues dans ce manuel d'utilisation, ainsi que la connaissance du travail à exécuter. Avant d'utiliser ce produit, se familiariser avec toutes ses fonctions et règles de sécurité.

PROTECTEUR

Le protecteur fournit une barrière qui protège l'utilisateur d'un contact avec le fer. Il est conçu pour rester dans le contact avec la pièce de fabrication.

CALE-GUIDE

Le cale-guide permet de manipuler la pièce à travailler de façon sécuritaire dans la zone de coupe et sa hauteur est ajustable.

ENSEMBLE DU GUIDE

L'offre en sacrifice ensemble du guide fournit une surface ajustable pour soutenir et diriger le travail. Moulé dans l'assemblage de clôture sont l'attachement de vide.

PANNEAU D'INSERTION

Le panneau d'insertion est compatible avec divers types de toupies. Il a pré-entraîné aussi des trous noyé qui peuvent être utilisés avec une assortiment de toupies.

GUIDE D'ONGLET

Un guide d'onglet est prévu pour le toupillage en onglet et pour aider à soutenir les pièces larges.

BOUTON DE RÉARMEMENT

Le commutateur est équipé avec un remettre à l'état initial le bouton qui protège les composants électroniques de la boîte de commutateur de table de routeur de la surcharge.

CHEVILLE DE DÉPART

Quand vous ne pouvez pas utiliser le guide pour guider la pièce parce que celle-ci est trop petite ou d'une forme irrégulière, utilisez la cheville de départ comme guide et/ou pivoter le point. Utilisez uniquement des fers avec guide quand une cheville de départ est utilisée.

CARACTÉRISTIQUES

PLAQUES À OUVERTURE

Cinq plaques à ouverture sont fournies avec la table à toupie. La plaque à gorge procure un support stable autour du fer et empêche que des objets puissent tomber dans l'ouverture et endommager la broche.

ORIFICE D'ASPIRATION

Les ports de poussière moulés dans l'orifice d'aspiration ou un 31,75 mm (1-1/4 po) ou 63,5 mm (2-1/2 po) l'attachement de vide.

ENSEMBLE DE COMMUTATEUR

Voir la figure 3.

Ce produit est équipé d'un commutateur avec dispositif de verrouillage intégré. Ce dispositif est conçu pour empêcher l'utilisation non autorisée et potentiellement dangereuse par des enfants ou personnes non compétentes.

POUR METTRE LA TABLE À TOUPIE :

- Brancher sur le routeur dans la sortie de boîte de commutateur sur le rable de routeur et bouche la table de routeur dans le morcauto du de pilote de et/ou un 120 volt sortie fondé.
- La clé étant insérée dans le commutateur, le relever pour mettre la scie en **MARCHE (I)**.

NOTE : La table de routeur est équipée avec un remet à l'état initial le bouton. Voir la figure 2. Si, pour n'importe quelle raison, la table de routeur n'allumera pas, appuiera le remettre à l'état initial le bouton et alors remet en marche.

POUR ARRÊTER LA TABLE À TOUPIE :

- Abaisser le commutateur en position **d'ARRÊT (O)**.

POUR VERROUILLER LA TABLE À TOUPIE :

- Abaisser le commutateur.
- Retirer la clé du commutateur et la ranger en lieu sûr.

AVERTISSEMENT :

Lorsque l'outil n'est pas en usage, toujours retirer la clé et la ranger en lieu sûr. En cas de panne secteur, mettre le commutateur en position **D'ARRÊT (O)** et retirer la clé. Ceci empêchera un démarrage accidentel lorsque le courant est rétabli.

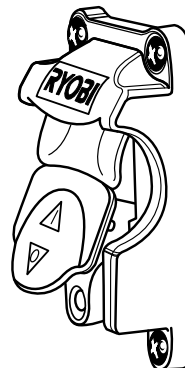
AVERTISSEMENT :

TOUJOURS s'assurer que la pièce n'est pas en contact avec la fers avant de mettre le commutateur de l'outil en position de marche. Ne pas prendre cette précaution peut causer le rebond de la pièce en direction de l'opérateur et d'entraîner des blessures graves.

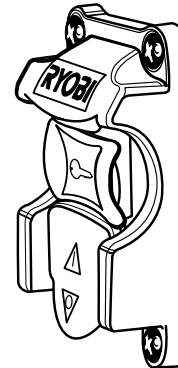
AVERTISSEMENT :

Pour éviter un démarrage accidentel, **TOUJOURS** s'assurer que le commutateur est en position **D'ARRÊT (O)** avant de brancher l'outil.

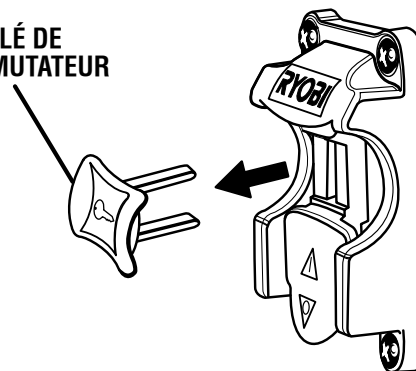
COMMUTATEUR EN POSITION DE MARCHE



COMMUTATEUR EN POSITION D'ARRÊT



CLÉ DE COMMUTATEUR



COMMUTATEUR EN POSITION VERROUILLÉE

Fig. 3

ASSEMBLAGE

DÉBALLAGE

Ce produit nécessite un assemblage.

- Avec précaution, sortir le produit et les accessoires de la boîte. S'assurer que toutes les pièces figurant sur la bordereau d'expédition sont incluses.

AVERTISSEMENT :

Ne pas utiliser le produit si, en le déballant, vous constatez que des éléments figurant dans la bordereau d'expédition sont déjà assemblés. Certaines pièces figurant sur cette liste n'ont pas été assemblées par le fabricant et exigent une installation. Le fait d'utiliser un produit qui a été assemblé de façon inadéquate peut entraîner des blessures.

- Examiner soigneusement le produit pour s'assurer que rien n'a été brisé ou endommagé en cours de transport.
- Ne pas jeter les matériaux d'emballage avant d'avoir soigneusement examiné le produit et avoir vérifié qu'il fonctionne correctement.
- Si des pièces manquent ou sont endommagées, appeler le 1-800-525-2579.

AVERTISSEMENT :

Si des pièces manquent ou sont endommagées, ne pas utiliser cet outil avant qu'elles aient été remplacées. L'utilisation sûre de ce produit avec les pièces manquantes ou endommagées pourrait entraîner des blessures graves.

AVERTISSEMENT :

Ne pas essayer de modifier cet outil ou de créer des accessoires non recommandés pour cet outil. De telles altérations ou modifications sont considérées comme un usage abusif et peuvent créer des conditions dangereuses pouvant entraîner des blessures graves.

AVERTISSEMENT :

Ne pas brancher sur le secteur avant d'avoir terminé l'assemblage. Le non-respect de cet avertissement peut causer un démarrage accidentel, entraînant des blessures graves.

AVERTISSEMENT :

Les protecteurs inférieurs bien montés en place avant d'utiliser la table à toupie. Sinon des blessures graves pourraient en résulter.

ASSEMBLAGE

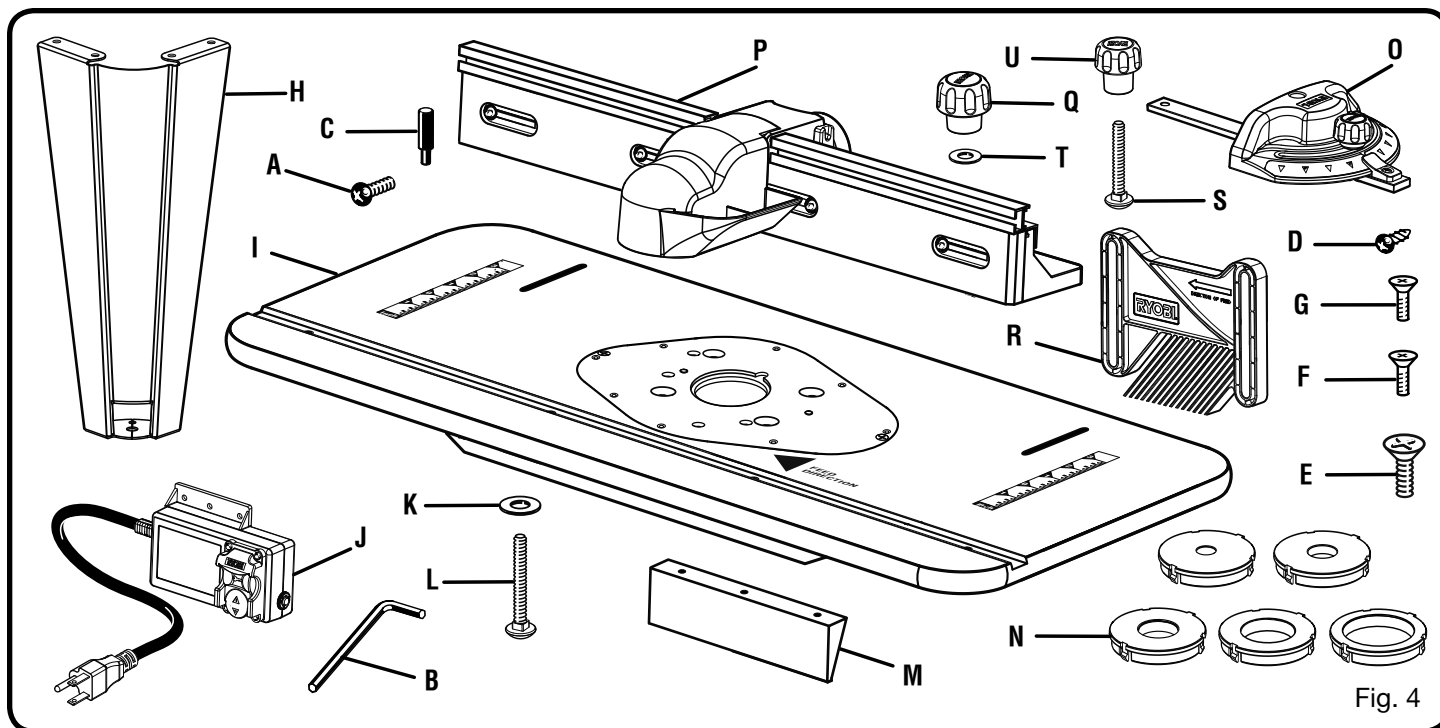


Fig. 4

LISTE DE CONTRÔLE D'EXPÉDITION

Voir la figure 4.

A. Vis phillips de pied de table	16	K. Rondelle de boulon à collet carré	2
B. Cle en hex	1	L. Boulon à collet carré	2
C. Cheville de départ	1	M. Protecteurs sous table	2
D. Vis de protecteurs sous table	6	N. Plaque à ouverture	5
E. Vis de la plaque d'insertion de la toupie (5/16-18 x 3/4 po).....	3	O. Guide d'onglet	1
F. Vis de la plaque d'insertion de la toupie (10-24 x 5/8 po).....	3	P. Ensemble de guide	1
G. Vis de la plaque d'insertion de la toupie (10-32 x 5/8 po).....	3	Q. Bouton de verrouillage du guide	2
H. Pieds de table	4	R. Cale-guide.....	1
I. Table à toupie.....	1	S. Boulon à cale-guide.....	2
J. Boîte d'interrupteur	1	T. Rondelle de bouton de verrouillage du guide.....	2
		U. Bouton de cale-guide	2
		V. Manual de utilisation (non illustré)	

NOTE : Les pièces A à G sont incluses dans un emballage-coque distinct

ASSEMBLAGE

ASSEMBLAGE DE LA TABLE À TOUPIE

Pour assembler la table à toupie, il faut fixer la boîte d'interrupteur, les protecteurs sous table, les pieds, l'ensemble toupie/plaque d'insertion, l'ensemble guide, le cale-guide, la plaque à gorge et la goupille de départ et installer la jauge à onglets sur la table à toupie.

FIXER LA BOÎTE D'INTERRUPTEUR

Voir la figure 5.

La boîte d'interrupteur est équipée de vis et écrous installés. Utiliser les vis et les écrous pour fixer la boîte d'interrupteur à la table.

- Dévisser et retirer les vis et écrous de la boîte d'interrupteur.
- Placer la table à toupie à l'envers sur une surface plane.
- Tenir en place la boîte d'interrupteur de sorte que les mots « ON » et « OFF » figurant sur l'interrupteur à bascule soient à l'envers.
- Aligner les trois trous de la boîte d'interrupteur avec les trois trous de la face extérieure du rail avant; il s'agit du rail déjà installé sous le devant de la table à toupie.
- Insérer les vis de la boîte d'interrupteur dans les trous de la boîte d'interrupteur et dans les trous du rail avant.
- Installer les écrous au bout des vis de la boîte d'interrupteur.
- Serrer les vis en place à l'aide d'un tournevis, serrer les écrous à l'aide d'une clé de serrage ou d'une clé à douille.

FIXER LES PROTECTEURS SOUS TABLE

Voir la figure 6.

Retirer les vis du protecteur sous table de l'emballage-coque. Utiliser ces vis pour fixer les protecteurs sous table.

- Placer la table à toupie à l'envers sur une surface plane.
- Placer les protecteurs sous table devant et derrière la zone de plaque d'insertion. Le côté ouvert du protecteur sous table avant doit faire face à l'arrière de la table à toupie.
- Aligner les trois trous des protecteurs sous table avec les trois trous de la table. Le devant du protecteur sous table sera boulonné en passant par la traverse avant et dans la table.
- Insérer les vis du protecteur sous table dans les trous et dans la table.
- Serrer les vis à l'aide d'un tournevis.

FIXER LES PIEDS DE LA TABLE

Voir la figure 7.

Retirer les vis de patte de la table de l'emballage-coque. Utiliser ces vis pour fixer les pattes de la table.

- Placer la table à toupie à l'envers sur une surface égale et plane, en plaçant le côté avant près de soi.
- Placer chacun des pieds à un coin de la table. Les pieds sur lesquels des étiquettes d'avertissement sont collés doivent être fixés à l'avant et ceux qui n'en ont pas doivent être fixés à l'arrière.

NOTE : Le pied de table sur lequel figure un avertissement en anglais doit être fixé à côté de la boîte d'interrupteur.

- Aligner les quatre trous du pied avec les quatre trous filetés correspondants dans la table.
- Insérer les vis de pied de la table par les trous et dans la table.
- Serrer les vis à l'aide d'un tournevis.

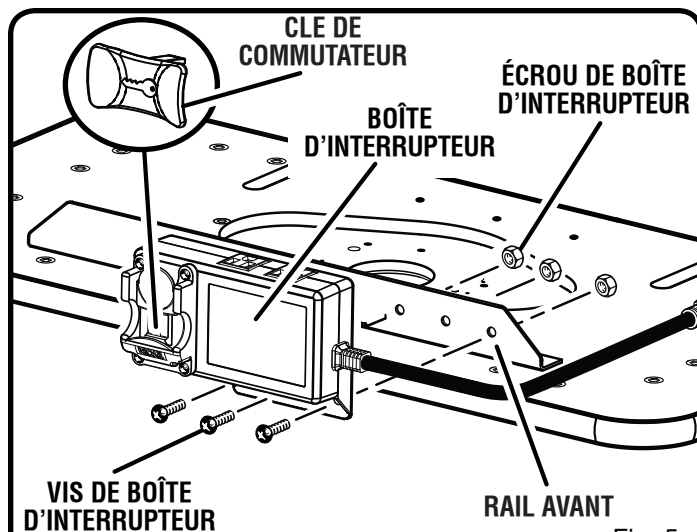


Fig. 5

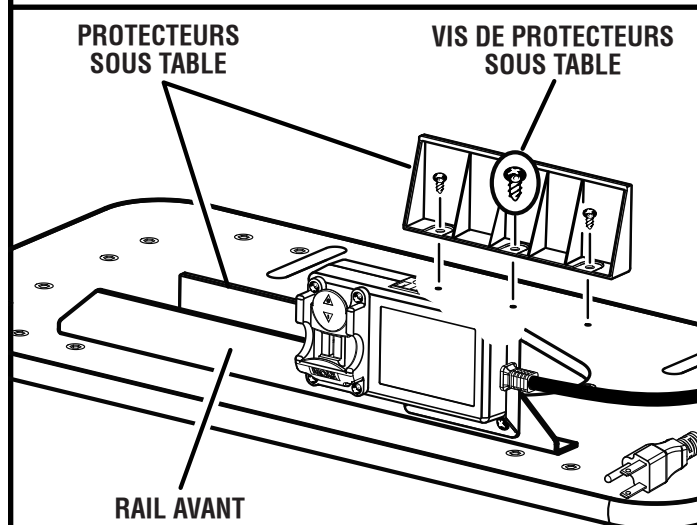


Fig. 6

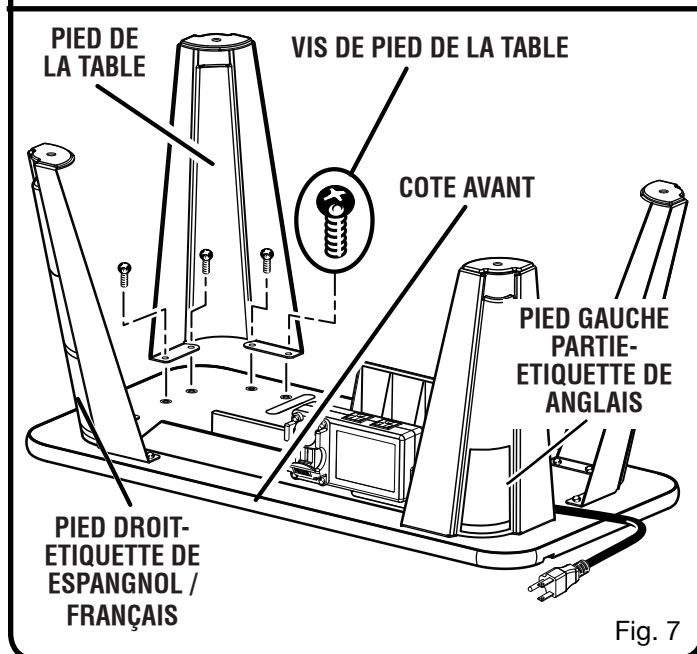


Fig. 7

ASSEMBLAGE

AVANT-TROUS POUR RÉGLER LA HAUTEUR DE COUPE SUR LA TABLE

Voir la figure 8.

Puisque les réglages de la hauteur de coupe sur la table varient en fonction de chaque toupie, des avant-trous ont été percés dans la plaque à gorge pour faciliter les réglages sur la table. Seulement les modèles ont énuméré au dessous dans la clef sont disponible pour l'usage avec le par la caractéristique d'ajustement de table.

- Retirer la plaque à gorge.
- Déterminer le type de toupie à installer et trouver l'avant-trou correspondant au modèle de toupie. (Se référer à les abréviations figure 8 signifiant au dessous.)
- Utiliser une perceuse et un foret de perçage pour percer un trou dans l'avant-trou, de façon à ce que le trou soit suffisamment large pour permettre le passage de l'outil de réglage de la hauteur de coupe (non inclus avec la table à toupie, mais peut être inclus avec la toupie) pour régler la hauteur de coupe sur la table.

Les abréviations figure 8 signifiant :

RD : RIDGID R2930, R22002

RY : Ryobi R163K, R163GK

ML : Milwaukee 5615-20, 5616-20

PC1 : Porter-Cable 890 Series

PC2 : Porter-Cable 8529

FIXER LA TOUPIE À LA TABLE

Pour faciliter l'utilisation, assembler la toupie sur la plaque d'insertion. Retirer d'abord la plaque d'insertion, puis installer l'ensemble toupie/plaque d'insertion sur la table à toupie.

FIXER LA TOUPIE SUR LA PLAQUE D'INSERTION

Voir les figures 9 et 10.

Retirer les vis de la plaque d'insertion de la toupie de l'emballage-coque. Utiliser ces vis pour fixer la plaque d'insertion à la toupie.

- Débrancher la toupie et la table à toupie.
- Retirer la plaque d'insertion.
- Enlève la plaque de subbase du toupie.
- Utiliser le diagramme suivant aux fins de référence et utiliser un des trois jeux de l'ensemble toupie/plaque d'insertion vis inclus; fixer la toupie sur la plaque d'insertion en s'assurant que les avant-trous sont placés face à la toupie et que l'encoche sur la plaque d'insertion fait face au dos de la table à toupie.

NOTE : En attachant la plaque d'insertion au toupie, assurer les trous dans l'allumette de base de toupie en haut avec la plaque d'insertion et n'être pas précisément décalé.

INSTALLER L'ENSEMBLE TOUPIE/PLAQUE D'INSERTION

Voir la figure 11.

- Débrancher la toupie et la table à toupie.
- Une fois que la plaque d'insertion est installée sur la toupie, insérer l'ensemble toupie/plaque d'insertion dans la table à toupie et s'assurer que l'encoche de la plaque d'insertion

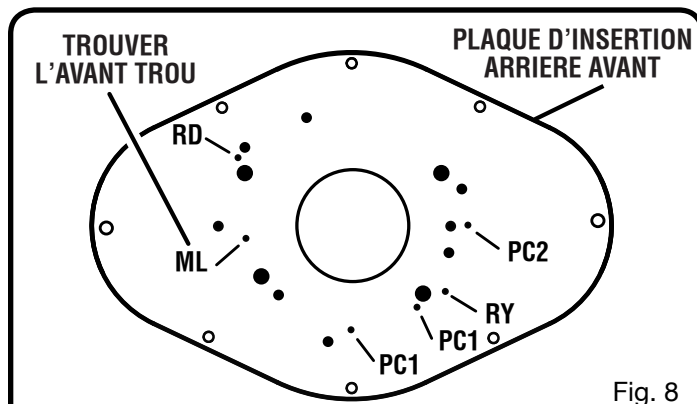


Fig. 8

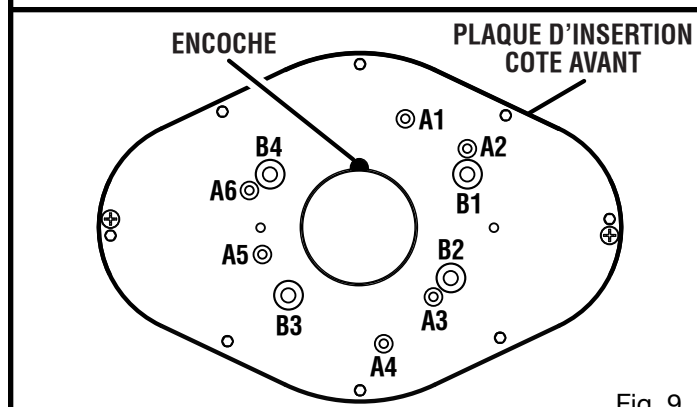


Fig. 9

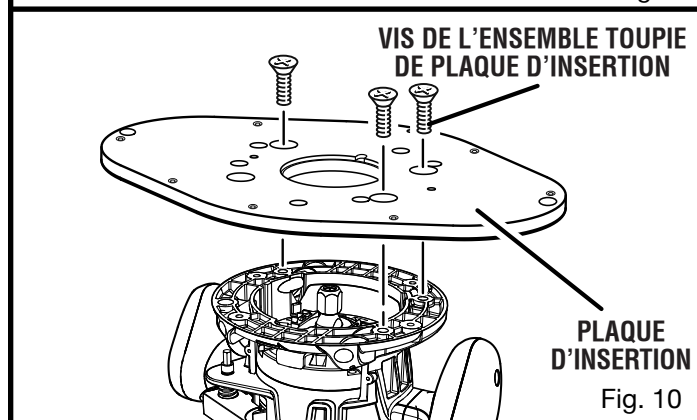


Fig. 10

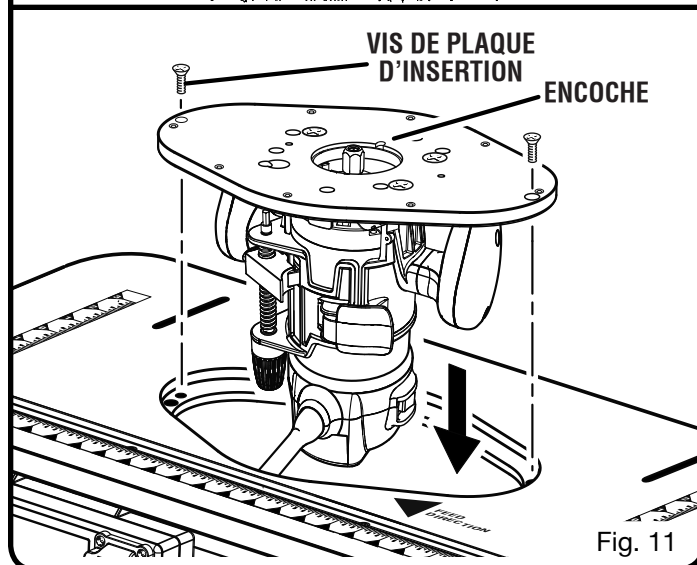


Fig. 11

ASSEMBLAGE

MARQUE	MODÈLE	TYPE DE BASE	TAILLE DE L'ATTACHE	TROUS DE LA PLAQUE D'INSERTION UTILISÉS	NOMBRE DE TROUS
Bosch	1617	Fixe	10-24 x 16 mm (5/8 po)	A1, A3, A5	3
Bosch	1617 EVS	Fixe	10-24 x 16 mm (5/8 po)	A1, A3, A5	3
Bosch	1617 EVSPK	Fixe	10-24 x 16 mm (5/8 po)	A1, A3, A5	3
Craftsman	17504	Fixe	10-32 x 16 mm (5/8 po)	A2, A4, A6	3
Craftsman	17505	Fixe	10-32 x 16 mm (5/8 po)	A2, A4, A6	3
Craftsman	17506	Fixe	10-32 x 16 mm (5/8 po)	A2, A4, A6	3
Craftsman	17508	Fixe	10-32 x 16 mm (5/8 po)	A2, A4, A6	3
Craftsman	17510	Fixe	10-32 x 16 mm (5/8 po)	A2, A4, A6	3
Craftsman	17511	Fixe	10-32 x 16 mm (5/8 po)	A2, A4, A6	3
Craftsman	17515	Plongeante	5/16-18 x 19 mm (3/4 po)	B1, B2, B4	3
Craftsman	17517	Plongeante	10-32 x 16 mm (5/8 po)	A2, A4, A6	3
Craftsman	17533	Fixe	10-32 x 16 mm (5/8 po)	A2, A4, A6	3
Craftsman	17533	Plongeante	5/16-18 x 19 mm (3/4 po)	B1, B2, B4	3
Craftsman	24833	Fixe	10-32 x 16 mm (5/8 po)	A2, A4, A6	3
Craftsman	24833	Plongeante	5/16-18 x 19 mm (3/4 po)	B1, B2, B4	3
Craftsman	27500	Fixe	5/16-18 x 19 mm (3/4 po)	B1, B2, B4	3
Craftsman	26921	Fixe	10-32 x 16 mm (5/8 po)	A2, A4, A6	3
Hitachi	M12V	Plongeante	10-32 x 16 mm (5/8 po)	A1, A3, A5	3
Hitachi	KM12VC	Fixe	10-32 x 16 mm (5/8 po)	A1, A3, A5	3
Makita	RF1101	Fixe	10-24 x 16 mm (5/8 po)	A1, A3, A5	3
Makita	RP1101	Plongeante	10-24 x 16 mm (5/8 po)	A1, A3, A5	3
Makita	RF1101K	Fixe/Plongeante	10-24 x 16 mm (5/8 po)	A1, A3, A5	3
Milwaukee	5615-20	Fixe	10-24 x 16 mm (5/8 po)	A1, A3, A5	3
Milwaukee	5616-20	Fixe	10-24 x 16 mm (5/8 po)	A1, A3, A5	3
Porter Cable	693LRPK	Plongeante	10-24 x 16 mm (5/8 po)	A1, A3, A5	3
Porter Cable	694PK	Plongeante	10-24 x 16 mm (5/8 po)	A1, A3, A5	3
Porter Cable	694VK	Plongeante	10-24 x 16 mm (5/8 po)	A1, A3, A5	3
Porter Cable	892	Fixe	10-24 x 16 mm (5/8 po)	A1, A3, A5	3
Porter Cable	893PK	Fixe	10-24 x 16 mm (5/8 po)	A1, A3, A5	3
Porter Cable	7529	Plongeante	10-24 x 16 mm (5/8 po)	A1, A3, A5	3
Porter Cable	8529	Plongeante	10-24 x 16 mm (5/8 po).	A1, A3, A5	3
RIDGID	R2930	Fixe/Plongeante	10-32 x 16 mm (5/8 po)	A1, A3, A5	3
RIDGID	R22002	Fixe	10-32 x 16 mm (5/8 po)	A1, A3, A5	3
Ryobi	R163GK	Fixe	5/16-18 x 19 mm (3/4 po)	B1, B2, B4	3
Ryobi	R160	Fixe	5/16-18 x 19 mm (3/4 po)	B1, B2, B4	3
Ryobi	R161K	Fixe	5/16-18 x 19 mm (3/4 po)	B1, B2, B4	3
Ryobi	R162K	Fixe	5/16-18 x 19 mm (3/4 po)	B1, B2, B4	3
Ryobi	R163K	Fixe	5/16-18 x 19 mm (3/4 po)	B1, B2, B4	3
Ryobi	R165U	Fixe	5/16-18 x 19 mm (3/4 po)	B1, B2, B4	3
Ryobi	R175	Plongeante	5/16-18 x 19 mm (3/4 po)	B1, B3	2
Ryobi	RE175	Plongeante	5/16-18 x 19 mm (3/4 po)	B1, B3	2
Ryobi	RE180PL/PL1/PL1G	Plongeante	5/16-18 x 19 mm (3/4 po)	B1, B3	2
Skil	1810	Fixe	10-32 x 16 mm (5/8 po)	A2, A4, A6	3
Skil	1825	Fixe/Plongeante	10-32 x 16 mm (5/8 po)	A2, A4, A6	3

Toutes marques déposées identifiées et échange des noms sont la propriété de leurs propriétaires respectifs.

ASSEMBLAGE

fait face au dos de la table à toupie et à l'écart de boîte d'interrupteur.

- Installe le resserre les vis de plaque d'insertion et part détaché jusqu'à ce que tous ajustements ont été faits.

NIVELER LA PLAQUE D'INSERTION

Voir la figure 12.

- Débrancher la toupie et la table à toupie.
- Le contrôle de n pour voir si la plaque d'insertion a monté l'assemblée est à fleur d'un bord droit ou nivelé.
- Desserrez les vis de plaque d'insertion.
- Utilisant la clef de sort fournie, resserrer ou desserrer les vis ajustant dépend de comment les besoins de plaque d'insertion être ajustés afin de faire le niveau de plaque d'insertion.
- Resserrer les vis de plaque d'insertion avec un tournevis.

FIXER L'ENSEMBLE GUIDE

Voir la figure 13.

- Débrancher la toupie et la table à toupie .
- Placer la table à toupie, le côté droit vers le haut, et l'arrière près de soi.
- Glisser les rondelles de boulons de carrosserie sur les boulons de carrosserie.
- L'attelage de chute verrouille par l'entaille dans la table de routeur et par les trous dans l'assemblée de clôture.
- Glisser la rondelle du boulons de carrosserie sur les boulons de carrosserie.
- Installer les boutons de verrouillage du guide sur les boulons de carrosserie.
- Serrer les boutons de verrouillage du guide.

⚠ AVERTISSEMENT :

Assurer que les plaques à ouverture claquent assurément à sa place. Ne pas utiliser si les claquements sont endommagés ou les plaques à ouverture ne claquent pas dans assurément. L'échec pour faire si pourrait avoir pour résultat la blessure personnelle sérieuse.

INSERTION ET RETRAIT DES PLAQUES À OUVERTURE

Voir la figure 14.

La plaque à ouverture fournit une surface stable autour du fer, et empêche les objets de tomber dans l'ouverture de la table et d'endommager ainsi la broche.

Une sélection de la taille correcte de la plaque à ouverture dépend de la taille et de la forme du fer que vous utilisez. Une fois la plaque insérée, son ouverture doit se trouver à moins de 6,4 mm (1/4 po) du bord extérieur du fer.

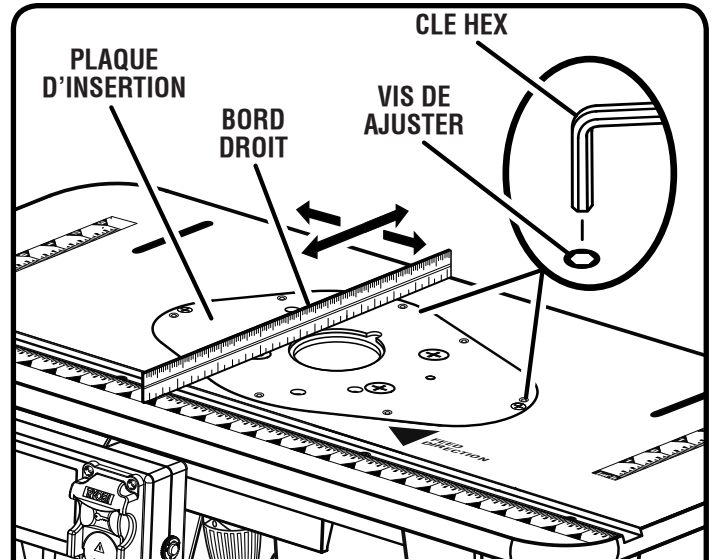


Fig. 12

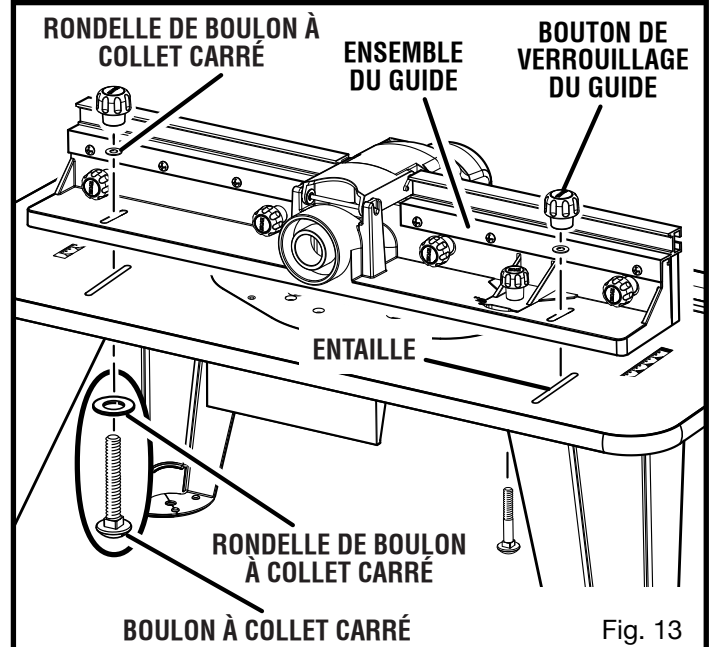


Fig. 13

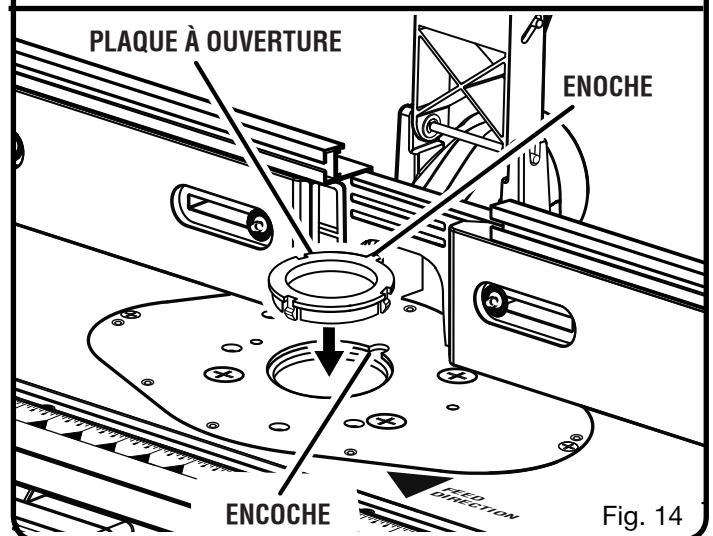


Fig. 14

ASSEMBLAGE

- Débrancher la toupie et la table à toupie.
- Sélectionner la plaque à gorge à utiliser.
- Appuyer sur la plaque à gorge afin de l'insérer dans la fente de la plaque d'insertion jusqu'à ce qu'elle s'enclenche.
- Pour la retirer, pousser sur la plaque à gorge du bas de la plaque d'insertion.

FIXER LE CALE-GUIDE

Voir la figure 15.

- Débrancher la toupie et la table à toupie .
- Insérer les boulons de carrosserie dans les fentes de l'ensemble guide.
- Glisser le cale-guide sur les boulons de carrosserie.
- Installer les boutons de verrouillage et les rondelles de boulons de carrosserie sur les boulons de carrosserie.
- Serrer les boutons de verrouillage.

POSE DE LA CHEVILLE DE DÉPART

Voir la figure 16.

Retirer la cheville de départ de l'emballage-coque. Installez le cheville de départ sur la table à toupie et utilisez la comme point de pivotement lors de la coupe de petites pièces irrégulières.

NOTE : Il n'est pas nécessaire d'utiliser le guide quand vous utilisez la cheville de départ, mais le garde de morceau devrait être utilisé pour couvrir le coupeur. Aussi, n'utilisez que des fers avec guide quand la cheville de départ est employée.

- Débrancher la toupie et la table à toupie .
- Mettez la cheville de départ dans le trou taraudé à l'arrière de l'ouverture de la table à toupie.
- Appuyer sur la goupille pour la mettre en place.

MONTAGE DU GUIDE D'ONGLET

Voir la figure 17.

- Débrancher la toupie et la table à toupie.
- Placer la table à toupie, le côté droit vers le haut, et l'avant près de soi, puis placer la barre de la jauge de mitre dans la fente près de la face avant de la table, le pointeur étant orienté vers la droite.

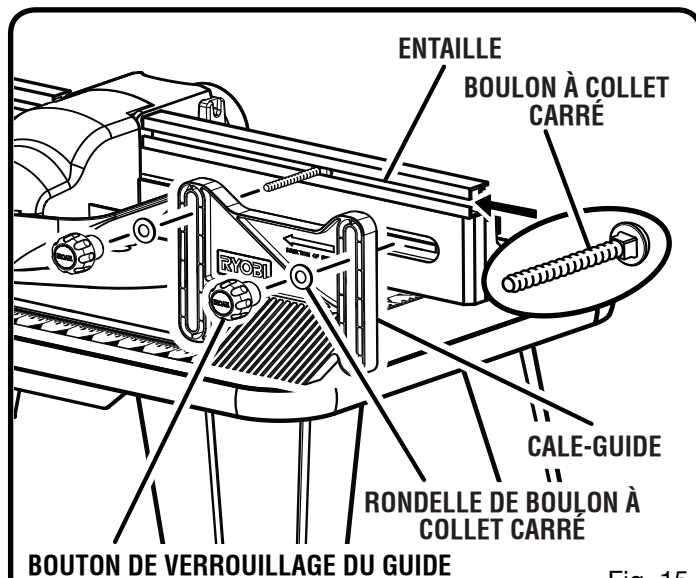


Fig. 15

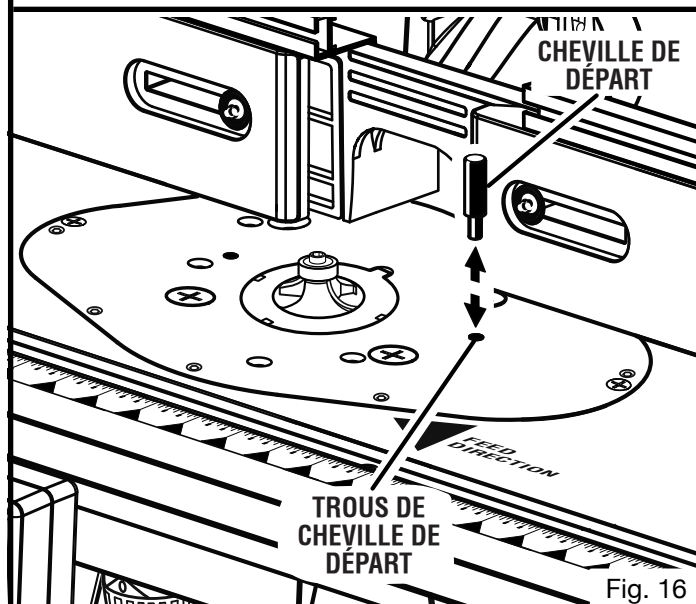


Fig. 16

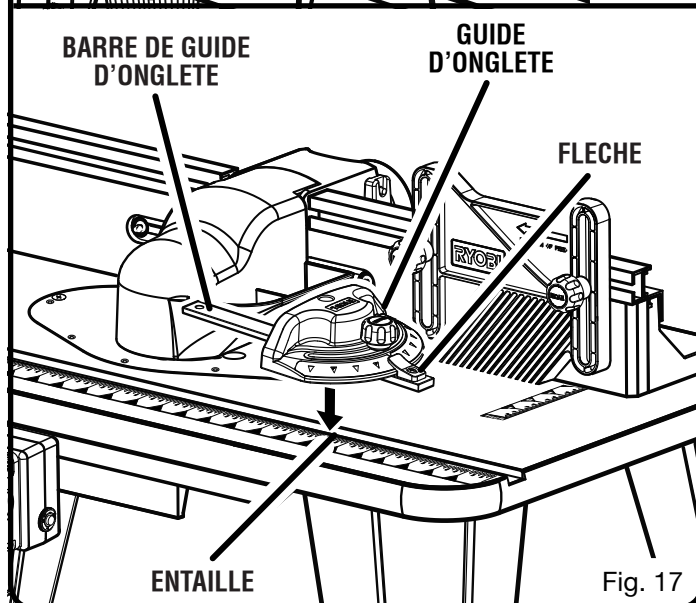


Fig. 17

ASSEMBLAGE

MONTAGE DE ACCESSOIRE POUR ASPIRATEUR

Voir la figure 18.

Les ports de poussière moulés dans la accessoire pour aspirateur ou un 31,75 mm (1-1/4 po) ou 63,5 mm (2-1/2 po) l'attache de vide.

FIXER LA TABLE À TOUPIE SUR UN ÉTABLI

Voir la figure 19.

- Débrancher la toupie et la table à toupie .
- Placer la table à toupie, le côté droit vers le haut, sur un plan de travail robuste; p. ex. un stand, un établi ou un plan de travail.
- Utiliser un serre-joint, insérer la partie supérieure avant du serre-joint dans l'ouverture du pied de la table à toupie.
- Serrer fermement le serre-joint.

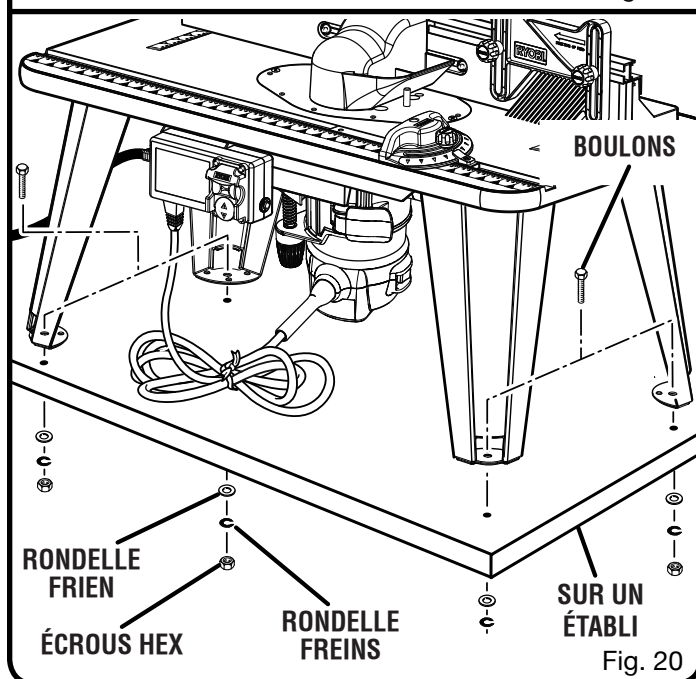
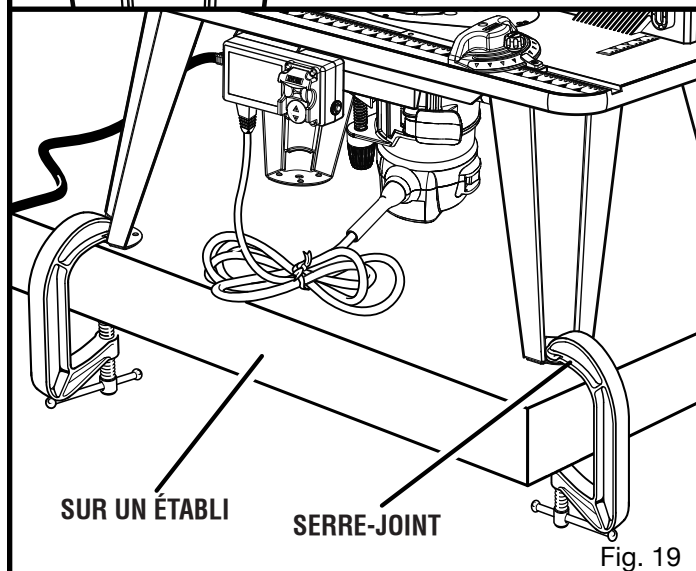
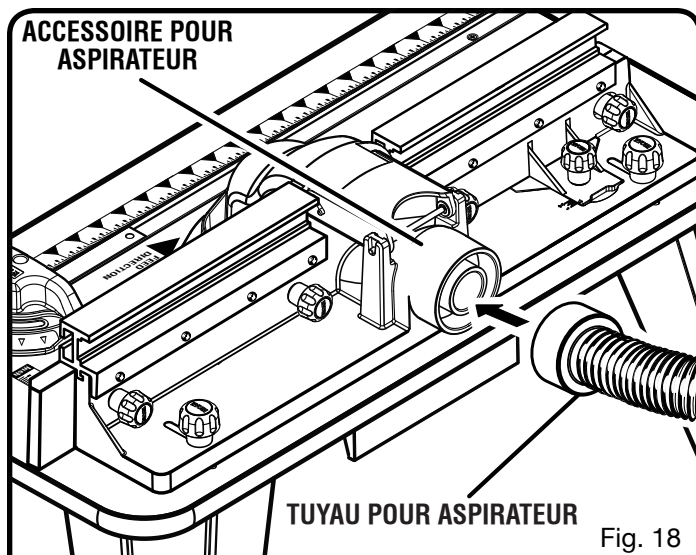
MONTAGE DE LA TABLE SUR UNE TRAVAILLER LA TABLE

Voir la figure 20.

- Débrancher la toupie et la table à toupie .
- Placez la table à toupie remise à l'endroit sur une surface de travail stable et robuste, comme par exemple, un support, un établi ou un travailler la table.
- Faites un repère des trous avec un crayon.
- Enlevez la table à toupie.
- Percez quatre trous dans la surface de travail.
- Remettez la table à toupie sur la surface de travail, alignez les trous des pieds avec les trous percés dans la surface de travail.

NOTE : Positionnez la surface de la table à toupie à une hauteur correspondant approximativement à la hauteur des hanches.

- Insérez quatre boulons (non compris ; nous recommandons des boulons de 1/4-20) et serrez les bien avec des rondelles frien, rondelles-freins, et des écrous hex. (non compris).



UTILISATION

AVERTISSEMENT :

Ne pas laisser la familiarité avec l'outil faire oublier la prudence. Ne pas oublier qu'une fraction de seconde d'inattention peut entraîner des blessures graves.

AVERTISSEMENT :

Toujours porter une protection oculaire avec écrans latéraux certifiée conforme à la norme ANSI Z87.1. Si une opération dégage de la poussière, porter également un masque anti-poussière.

AVERTISSEMENT :

Ne pas utiliser d'outils ou accessoires non recommandés pour cet produit. L'utilisation de pièces et accessoires non recommandés peut entraîner des blessures graves.

APPLICATIONS

Cet produit peut être utilisé pour les applications ci-dessous :

- La table a monté les opérations de cimaise et mortaise dans le bois et les matériels de composition de bois
- La clôture a dirigé approchant des opérations pour l'ébénisterie et l'image encadrant sur le bois et les matériels de composition de bois
- Les opérations pilotées de coupeur utilisant l'épingle commençant pour approcher les surfaces modelées sur le bois et les matériels de composition de bois

AVERTISSEMENT :

Votre toupie ou table à toupie ne doit jamais être branchée lorsque vous installez des pièces, faites un réglage, installez ou retirez des fers, du nettoyage et même quand elle n'est pas utilisée. Débrancher la toupie et la table à toupie afin d'empêcher tout démarrage accidentel pouvant causer des blessures graves.

AVERTISSEMENT :

L'avance de la pièce travaillée se fait toujours en direction des tranchants du fer et à contresens de sa rotation. Ne pas respecter cet avertissement représente un risque de blessures graves.

AVERTISSEMENT :

Lors de l'utilisation de la toupie avec une table à toupie, la toupie ne doit être branchée que dans la prise de l'interrupteur et elle ne doit être commandée que par cet interrupteur. Pour réduire le risque de vous blesser gravement, ne branchez jamais la toupie dans une autre prise.

UTILISATION DE LA TOUPIE

Voir les figures 21 à 23.

Suivre les directives suivantes pour utiliser la toupie.

- Lire tout le manuel d'utilisation de la toupie et de la table à toupie.
- Brancher le câble d'alimentation de la table à toupie dans une source de courant.
- Toujours contrôler l'alimentation de la toupie à l'aide de l'interrupteur de la table à toupie lorsque la toupie est installée sur la table.
- Toujours brancher la toupie dans ou de la prise commandée par interrupteur de la table à toupie. Ne jamais brancher une toupie installée sur une table à toupie dans une autre source de courant.
- Placer le guide d'entrée et le guide de sortie à proximité du diamètre maximal du couteau, mais éviter tout contact avec le couteau.

UTILISATION

NOTE : La pièce à travailler doit toujours être maintenue solidement en place contre le guide, à moins qu'un couteau taraudé à roulement à billes soit utilisé.

- Ajuster le guide d'entrée de façon à maintenir en place la pièce à travailler et ajuster le guide de sortie pour maintenir la pièce en place après la coupe. La position « 0 » sur l'échelle du guide indique le centre de l'ouverture de gorge de la table.
- Vérifier que tous les réglages de la toupie sont bien verrouillés avant de brancher la table à toupie à une source de courant.
- Le couteau tourne vers la gauche (lorsque vue depuis le dessus de la table). Toujours faire glisser la pièce à travailler contre les bords coupants du couteau.
- S'assurer que l'interrupteur de la table à toupie est en position **ARRÊTER (O)** lorsqu'elle n'est pas utilisée. Retirer la clé de l'interrupteur pour s'assurer que la table à toupie est arrêté.

⚠ AVERTISSEMENT :

Ne jamais faire glisser la pièce à travailler dans le même sens de rotation du couteau. Le glissement dans cette direction peut provoquer le soulèvement de la pièce à travailler par-dessus la fraise et causer des blessures graves.

⚠ AVERTISSEMENT :

Lors d'une coupe sur le côté ou le rebord, ne jamais placer le guide de manière à emprisonner la pièce à travailler entre la fraise et le guide. Ne pas respecter cet avertissement représente un risque de blessures graves.

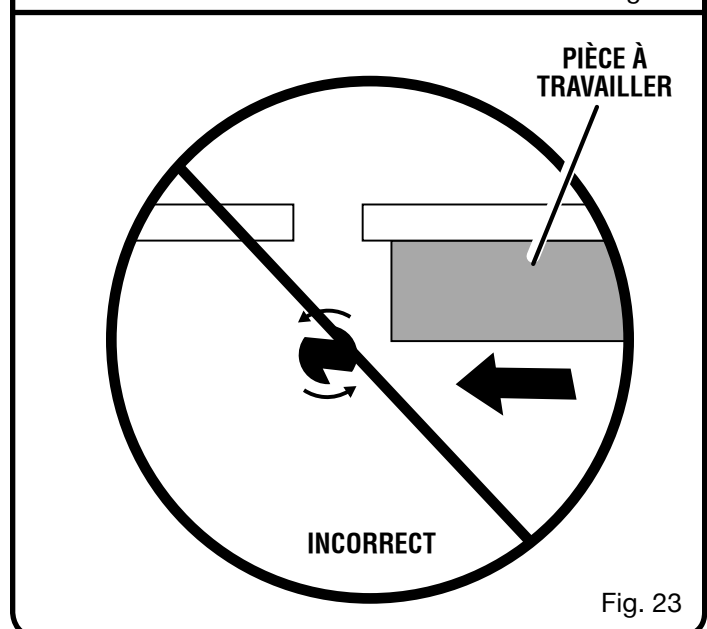
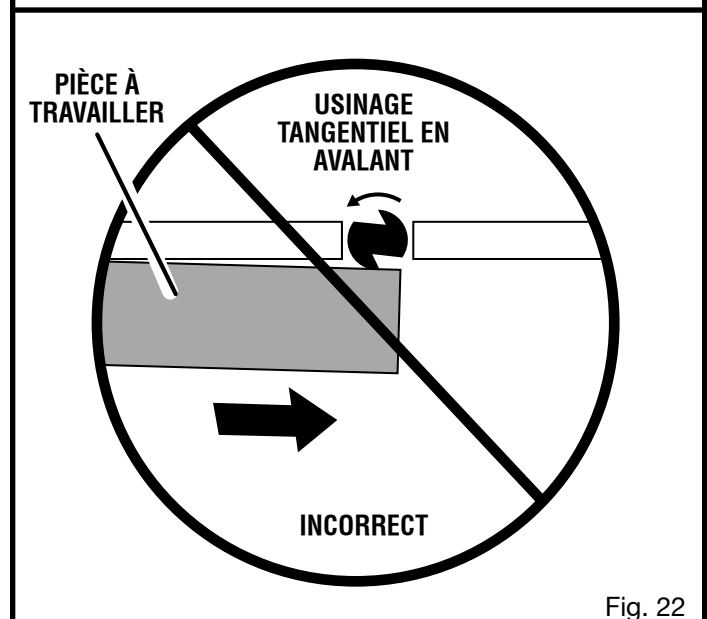
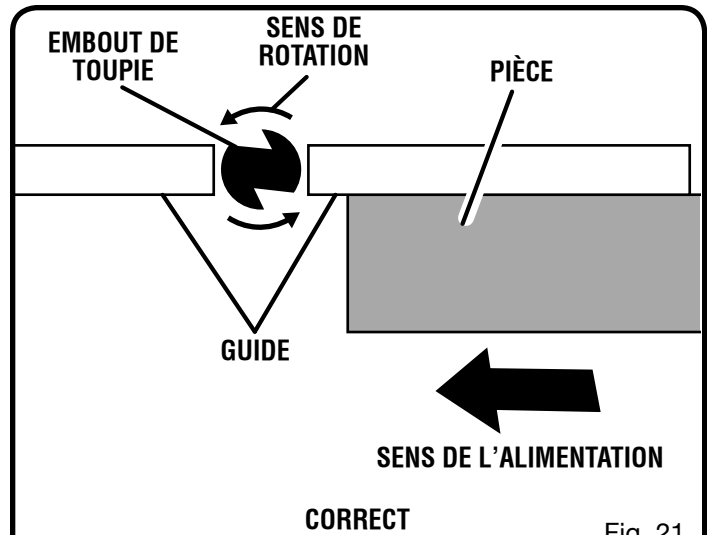
INSÉRER OU RETIRER DES COUTEAUX

- Débrancher la toupie et la table à toupie.
- Retirer l'ensemble toupie/plaque d'insertion. (Consulte la **Installer l'ensemble toupie/plaque d'insertion** dans la section *Assemblage*.)

⚠ AVERTISSEMENT :

Si vous changez de fer immédiatement après l'emploi, ne touchez pas le fer ou le mandrin avec les doigts. Ce dernier peut être chaud et vous pourriez vous brûler. Utilisez toujours la clé.

- Consulter le manuel d'utilisation pour toupie pour savoir quelle est la procédure à suivre pour retirer ou installer un couteau et pour remplacer un couteau.



UTILISATION

RÉGLAGE DE LA PROFONDEUR DE COUPE

Consulter le manuel d'utilisation de la toupie pour savoir comment régler la profondeur de coupe.

RÉGLAGE DU GUIDE D'ONGLET

Voir la figure 24.

- Débrancher la toupie et la table à toupie.
- Desserrez le bouton du guide d'onglet.
- Tournez le guide d'onglet à l'angle désiré.
- Serrez le bouton du guide d'onglet.

POSITIONNEMENT DU GUIDE

Voir la figure 25.

Suivez ces directives pour positionner le guide.

- Débrancher la toupie et la table à toupie .
- Desserrez les boutons de blocage du guide.
- Positionnez le guide à l'emplacement désiré.
- Serrez les boutons de blocage du guide.

NOTE : La clôture de outfeed peut a de capacité joignant et être ajustée dans les graduations jusqu'à 1/4 dans. et vous rend capable de soutenir la pièce de fabrication comme il sort le coupeur.

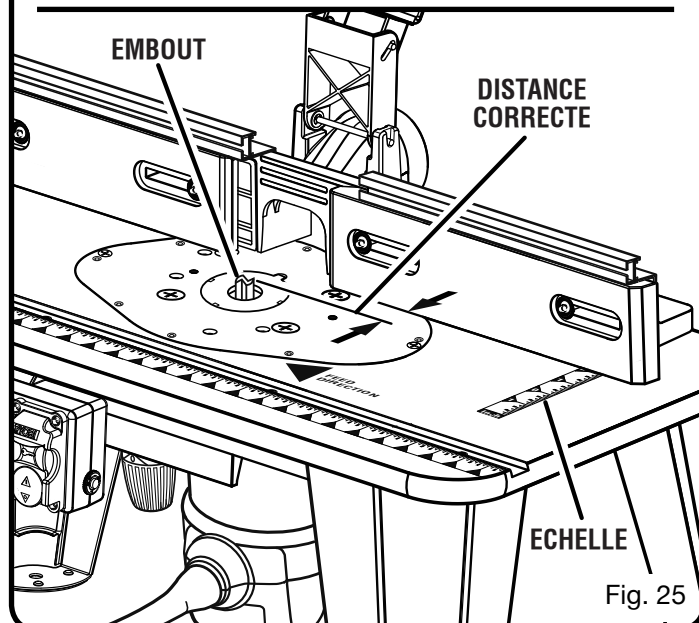
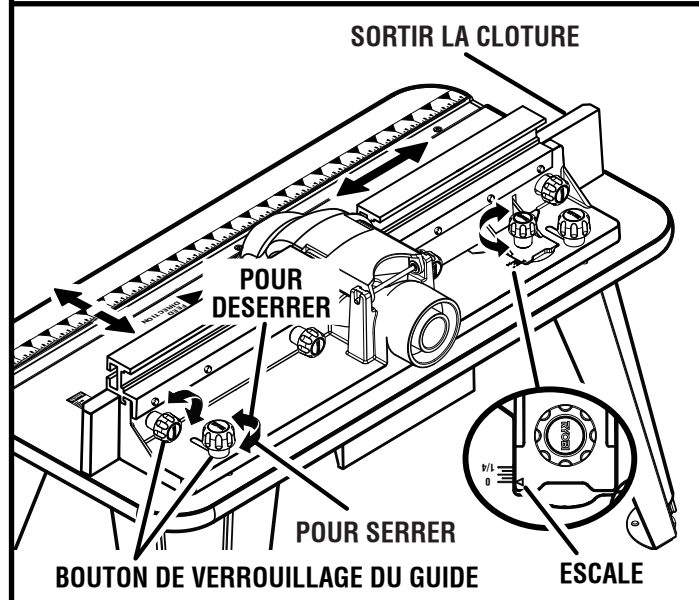
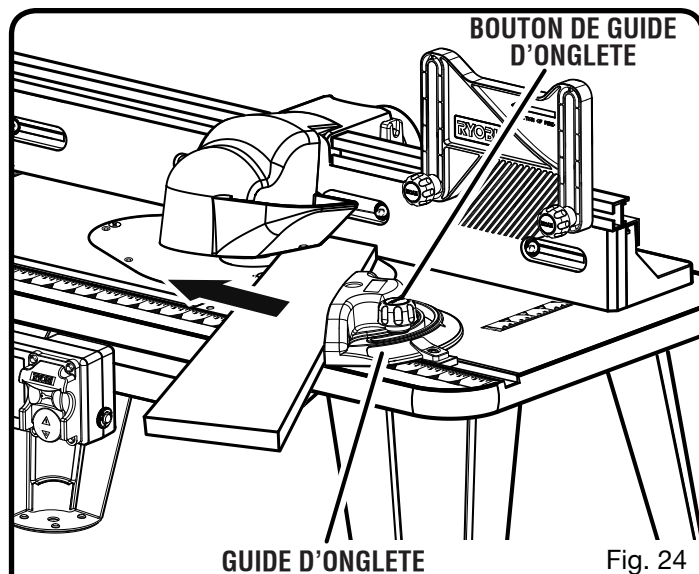
AVERTISSEMENT :

En faisant une coupure de côté ou bord, ne jamais disposer la clôture tel que la pièce de fabrication est localisée entre le coupeur et la clôture. L'échec pour faire attention à cet avertissement peut avoir pour résultat la blessure personnelle sérieuse.

- Une rainure peut être coupée dans la pièce à travailler en plaçant le guide derrière le couteau. Pour effectuer une rainure, glisser la pièce à travailler de droite à gauche. Pour élargir une rainure existante, s'assurer que le bord à couper se trouve contre le bord principal du couteau. Ce côté sera le plus éloigné du guide pendant que la pièce à travailler est glissée de droite à gauche. Voir les figures 21 a 23.

AVERTISSEMENT :

Pour faire une deuxième rainure pour élargir une rainure, toujours couper la rainure contre la direction de rotation du couteau. S'il en fait autrement, ceci peut provoquer l'éjection de la pièce à travailler et provoquer des blessures graves.



ENTRETIEN

AVERTISSEMENT :

Utiliser exclusivement des pièces d'origine pour les réparations. L'usage de toute autre pièce pourrait créer une situation dangereuse ou endommager l'outil.

AVERTISSEMENT :

Toujours porter une protection oculaire avec écrans latéraux certifiée conforme à la norme ANSI Z87.1. Si une opération dégage de la poussière, porter également un masque anti-poussière.

ENTRETIEN GÉNÉRAL

Éviter d'utiliser des solvants pour le nettoyage des pièces en plastique. La plupart des matières plastiques peuvent être endommagées par divers types de solvants du commerce. Utiliser un chiffon propre pour éliminer la saleté, la poussière, l'huile, la graisse, etc.

AVERTISSEMENT :

Ne jamais laisser de liquides tels que le fluide de freins, l'essence, les produits à base de pétrole, les huiles pénétrantes, etc., entrer en contact avec les pièces en plastique. Les produits chimiques peuvent endommager, affaiblir ou détruire le plastique, ce qui peut entraîner des blessures graves.

Les outils électriques utilisés sur la fibre de verre, le placoplâtre, les mastics de bouchage ou le plâtre s'usent plus vite et sont susceptibles de défaillance prématurée, car les particules et les éclats de fibre de verre sont fortement abrasifs pour les roulements, balais, commutateurs, etc. Nous recommandons donc de ne pas utiliser cet outil pour un travail prolongé sur ces types de matériaux. Toute fois, si l'outil a été utilisé sur l'un de ces matériaux, il est extrêmement important de le nettoyer à l'air comprimé.

REGLAS DE SEGURIDAD GENERALES

ADVERTENCIA:

Lea y asegúrese de entender todas las instrucciones. El incumplimiento de las instrucciones siguientes puede ser causa de descargas eléctricas, incendios y lesiones graves.

LEA TODAS LAS INSTRUCCIONES

- **FAMILIARÍCESE CON SU HERRAMIENTA ELÉCTRICA.** Lea con cuidado la fresadora pospone manual de usuario y el manual para la fresadora particular que usted utiliza. Aprenda los usos y limitaciones de la sierra, así como los posibles peligros específicos de esta herramienta.
- **PROTÉJASE DE DESCARGAS ELÉCTRICAS EVITANDO TOCAR CON EL CUERPO SUPERFICIES CONECTADAS A TIERRA.** Por ejemplo, tubos, radiadores, estufas y cajas de refrigeradores.
- **MANTENGA LAS PROTECCIONES COLOCADAS** y en buenas condiciones de trabajo.
- **RETIRE TODA LLAVE Y HERRAMIENTA DE AJUSTE.** Hágase el hábito de comprobar que se haya retirado de la herramienta eléctrica toda llave y herramienta de ajuste antes de encenderla.
- **MANTENGA LIMPIA LA ZONA DE TRABAJO.** Una mesa o zona de trabajo mal despejada es causa común de accidentes. **NO** deje herramientas o piezas de madera en la sierra mientras esté funcionando.
- **NO UTILICE LA HERRAMIENTA EN ENTORNOS PELIGROSOS.** No utilice herramientas eléctricas en lugares húmedos o mojados ni las exponga a la lluvia. Mantenga bien iluminada el área de trabajo.
- **MANTENGA ALEJADOS A LOS NIÑOS Y DEMÁS CIRCUNSTANTES.** Todos los presentes deben usar anteojos de seguridad y permanecer a una distancia segura del área de trabajo. No permita que ninguno de los presentes toque la herramienta ni la extensión eléctrica mientras la unidad esté funcionando.
- **HAGA SU TALLER A PRUEBA DE NIÑOS,** con candados, interruptores maestros y retirando las llaves de arranque.
- **NO FUERCE LA HERRAMIENTA.** Funcionará mejor y con mayor seguridad si se usa a la velocidad de avance para la que fue diseñada.
- **USE LA HERRAMIENTA APROPIADA EN CADA CASO.** No fuerce la herramienta ni ningún accesorio a efectuar tareas para las que no fueron hechos. No la use para propósitos no indicados en las instrucciones.
- **USE UN CABLE DE EXTENSIÓN ADECUADO.** Asegúrese de que la extensión eléctrica esté en buen estado. Si se utiliza un cable de extensión, debe ser del calibre suficiente para soportar la corriente que consume el producto. Un cordón de grosor insuficiente causará una caída del voltaje de línea, lo que produce recalentamiento y pérdida de potencia. Se recomienda un calibre mínimo de **14 (A.W.G.)** para cables de extensión de 7,6 metros (25 pies) de largo o menos. Si

tiene alguna duda, utilice un cable del calibre más grueso siguiente. Cuanto menor es el número de calibre, tanto mayor es el grosor del cordón.

- **USE ROPA ADECUADA.** No use ropa holgada, guantes flojos, corbata ni alhajas. Podrían engancharse y tirar de usted hacia partes en movimiento. Se recomiendan guantes y calzado antiderrapantes al trabajar al aire libre. Si tiene el pelo largo, cúbrase para que quede recogido.
- **SIEMPRE PÓNGASE ANTEOJOS DE SEGURIDAD CON PROTECCIÓN LATERAL.** Los anteojos de uso diario tienen lentes resistentes a golpes únicamente; **NO** son anteojos de seguridad.
- **ASEGURE LA PIEZA DE TRABAJO.** Utilice prensas de mano o de banco para sujetar la pieza de trabajo cuando resulte práctico hacerlo; es más seguro que utilizar la mano y quedan ambas manos libres para manejar la herramienta.
- **NO ESTIRE EL CUERPO PARA ALCANZAR MAYOR DISTANCIA.** Mantenga una postura firme y buen equilibrio en todo momento.
- **DÉ MANTENIMIENTO CON CUIDADO A LAS HERRAMIENTAS.** Mantenga afiladas y limpias las herramientas para obtener de las mismas un desempeño mejor y más seguro. Siga las instrucciones correspondientes al cambio y lubricación de accesorios.
- **DESCONECTE LAS HERRAMIENTAS.** Todas las herramientas deben desconectarse del suministro de corriente cuando no estén usándose, o al cambiarles aditamentos, hojas de corte, brocas, fresas, etc.
- **EVITE UN ARRANQUE ACCIDENTAL DE LA UNIDAD.** Asegúrese de que el interruptor esté en la posición de apagado antes de conectar la clavija de cualquier herramienta.
- **USE ACCESORIOS RECOMENDADOS.** Consulte este manual del operador, donde aparecen los accesorios recomendados. El empleo de accesorios inadecuados puede causar lesiones.
- **NO SE PARE NUNCA EN LA HERRAMIENTA.** Se pueden ocasionar lesiones graves si se inclina la herramienta o si se toca la herramienta de corte por accidente.
- **INSPECCIONE LAS PIEZAS DAÑADAS.** Antes de seguir utilizando la herramienta, es necesario inspeccionar cuidadosamente toda protección o pieza dañada, para verificar si funcionará correctamente y cumplirá la función a la que está destinada. Compruebe que las partes móviles estén bien alineadas y que no estén trabadas, que no haya piezas rotas, el montaje de las partes y cualquier otra condición que pudiera afectar su funcionamiento. Toda protección o pieza que esté dañada debe repararse apropiadamente o reemplazarse en un centro de servicio autorizado.
- **NUNCA DEJE DESATENDIDA LA HERRAMIENTA FUNCIONANDO. APAGUE LA CORRIENTE.** No salga instrumento hasta que venga a una parada completa.
- **UTILICE LA DIRECCION CORRECTA DE COMIDA.** Solamente empuje la pieza de trabajo hacia la hoja, fresa o tambor de lijado, contra el sentido de rotación de éstos.

REGLAS DE SEGURIDAD GENERALES




- **PORTER UNE PROTECTION RESPIRATOIRE.** Porter un masque facial ou respiratoire si le travail produit de la poussière.
- **PROTÉJASE EL OÍDO.** Durante períodos largos de uso de la unidad póngase protección para los oídos.
- **NO MALTRATE EL CABLE ELÉCTRICO.** Nunca tire del cable para desconectarlo de la toma de corriente. Mantenga el cable eléctrico alejado del calor, del aceite y de bordes afilados.
- **SIEMPRE UTILICE UN CORDÓN ELÉCTRICO DE EXTENSIÓN QUE LLEVE LAS MARCAS “W-A” O “W”.** Estos cordones eléctricos están aprobados para el uso en exteriores y reducen el riesgo de descargas eléctricas.
- **NUNCA UTILICE LA UNIDAD EN UNA ATMÓSFERA EXPLOSIVA.** El chispeo normal del motor podría encender los gases presentes.
- **REVISE PERIÓDICAMENTE LOS CABLES DE LA HERRAMIENTA.** Si están dañados, llévelos a un centro de servicio autorizado para que los revise un técnico de servicio calificado. El conductor con aislamiento que tiene una superficie exterior verde con o sin tiras amarillas es el conductor de conexión a tierra del equipo. Si el cable o la clavija necesitan reparación o reemplazo, no conecte el conductor de conexión a tierra a una terminal portadora de corriente. Repare o reemplace de inmediato todo cable dañado o gastado. Tenga presente siempre la ubicación del cable y manténgalo bien alejado de la hoja giratoria.
- **REVISE PERIÓDICAMENTE LOS CABLES DE EXTENSIÓN** y reemplácelos si están dañados.
- **MANTENGA LA HERRAMIENTA SECA, LIMPIA Y LIBRE DE ACEITE Y GRASA.** Siempre utilice un paño limpio para limpiar la unidad. No use nunca líquido para frenos, gasolina, productos a base de petróleo ni solventes para limpiar la herramienta.
- **PERMANEZCA ALERTA Y EN CONTROL.** Preste atención a lo que esté haciendo y aplique el sentido común. No utilice la herramienta cuando esté cansado. No haga las cosas con prisa.
- **NO USE LA HERRAMIENTA SI EL INTERRUPTOR NO ENCIENDE O NO APAGA.** Todo interruptor defectuoso debe llevarse a reparar a un centro de servicio autorizado.
- **NO UTILICE NINGUNA HERRAMIENTA SI SE ENCUENTRA BAJO LOS EFECTOS DE DROGAS, ALCOHOL O MEDICAMENTOS.**
- **AL DAR MANTENIMIENTO** a la unidad, utilice solamente piezas de repuesto idénticas. El empleo de piezas diferentes puede causar un peligro o dañar el producto.
- **UTILICE SOLAMENTE LOS ACCESORIOS SEÑALADOS** en este manual o en los apéndices. El uso de accesorios no mencionados en este manual plantea el riesgo de que ocurran lesiones corporales. Cada accesorio se acompaña de instrucciones para su uso sin riesgos.

REGLAS DE SEGURIDAD ESPECÍFICAS





- **PARA SU PROPIA SEGURIDAD,** lea este manual del router de la mesa del operador y el manual del router antes de hacer funcionar el router o el uso de la mesa fresado
- **SIEMPRE UTILICE EL GUARDIA DE CORTADOR.**
- **CUANDO SE USA EL RUTER EN LA MESA FRESADORA,** el fresadora se debe tapar en la salida de interruptor de mesa fresadora.
- **MANTIENE MANOS LEJOS DE AREA CORTANTE.** No alcance debajo de la mesa ni en el sendero cortante con manos ni dedos en tiempo mientras el instrumento es conectado a una fuente del poder.
- **NO UTILIZA LAS POSICIONES DIFICILES DE MANO.**
- **FIRMEMENTE ABRAZADERA O CIERRA LA MESA FRESADORA A UNA ENCIMERA** para que la superficie de mesa fresadora sea aproximadamente altura de cadera.
- **SIEMPRE AVANCE LA PIEZA DE TRABAJO CONTRA EL GIRO DE LA HERRAMIENTA DE CORTE.**
- **INSPECCIONA PARA Y QUITA TODOS CLAVOS DE la MADERA ANTES DE DIRIGIR.** Siguiendo que esta regla reducirá el riesgo de la herida personal grave.
- **MANTENGA LOS DEDOS LEJOS DE LA FRESA EN MOVIMIENTO DE GIRO; UTILICE ACCESORIOS CUANDO SEA NECESARIO.**
- **SIEMPRE SUJETE FIRMEMENTE LA PIEZA DE TRABAJO EN LA MESA Y LA GUÍA.**
- **SI ESTÁ DAÑADO EL CORDÓN DE CORRIENTE,** debe ser reemplazado únicamente por el fabricante o en un centro de servicio autorizado para evitar riesgos.
- **GUARDE ESTAS INSTRUCCIONES.** Consúltelas con frecuencia y empléelas para instruir a otras personas que puedan utilizar esta herramienta. Si presta a alguien esta herramienta, facilítele también las instrucciones.

SÍMBOLOS

Las siguientes palabras de señalización y sus significados tienen el objeto de explicar los niveles de riesgo relacionados con este producto.

SÍMBOLO	SEÑAL	SIGNIFICADO
	PELIGRO:	Indica una situación peligrosa, la cual, si no se evita, causará la muerte o lesiones serias.
	ADVERTENCIA:	Indica una situación peligrosa, la cual, si no se evita, podría causar la muerte o lesiones serias.
	PRECAUCIÓN:	Indica una situación peligrosa, la cual, si no se evita, podría causar lesiones menores o leves.
	AVISO:	(Sin el símbolo de alerta de seguridad) Indica la información que se considera importante, pero no relacionada con lesiones potenciales (por ej. en relación a daños a la propiedad).

Es posible que se empleen en esta herramienta algunos de los siguientes símbolos. Le suplicamos estudiarlos y aprender su significado. Una correcta interpretación de estos símbolos le permitirá utilizar mejor y de manera más segura la herramienta.

SYMBOL	NAME	DESIGNATION/EXPLANATION
	Alerta de seguridad	Indica un peligro posible de lesiones personales.
	Lea el manual del operador	Para reducir el riesgo de lesiones, el usuario debe leer y comprender el manual del operador antes de usar este producto.
	Protección ocular	Siempre póngase protección ocular con protección lateral con la marca de cumplimiento de la norma ANSI Z87.1.
	Alerta de condiciones húmedas	No exponga la unidad a la lluvia ni la use en lugares húmedos.
V	Volts	Voltaje
A	Amperes	Corriente
Hz	Hertz	Frecuencia (ciclos por segundo)
min	Minutos	Tiempo
~	Corriente alterna	Tipo de corriente
n_0	Velocidad en vacío	Velocidad de rotación, en vacío
.../min	Por minuto	Revoluciones, carreras, velocidad superficial, órbitas, etc., por minuto

ASPECTOS ELÉCTRICOS

CABLES DE EXTENSIÓN

Sólo utilice cables de extensión de 3 conductores con clavijas de tres puntas y contactos de tres polos que acepten la clavija del cable de la producto. Si la producto eléctrica debe situarse a una distancia importante de la toma de corriente, asegúrese de que el cable de extensión que utilice tenga el grosor suficiente para soportar el consumo de corriente de la producto. Un cable de extensión de un grosor insuficiente causará caída del voltaje de la línea, además de producir pérdida de potencia y recalentamiento del motor. Basese en la tabla que se presenta abajo para calcular el calibre mínimo requerido de los conductores del cable de extensión. Solamente deben utilizarse cordones con forro redondo registrados en Underwriter's Laboratories (UL).

**Amperaje (aparece en la placa de datos de la producto)

0-2,0 2,1-3,4 3,5-5,0 5,1-7,0 7,1-12,0 12,1-16,0

Longitud del cordón	Calibre conductores (AWG)					
	16	16	16	16	14	14
25'	16	16	16	16	14	14
50'	16	16	16	14	14	12
100'	16	16	14	12	10	—

**Se usa en los circuitos de calibre 12, de 20 amperes.

NOTA: AWG = American Wire Gauge

Al trabajar a la intemperie con una herramienta, utilice un cordón de extensión fabricado para uso en el exterior. Este tipo de cordón lleva las letras "WA" o "W" en el forro.

Antes de utilizar un cable de extensión, inspecciónelo para ver si tiene conductores flojos o expuestos y aislamiento cortado o gastado.

⚠ ADVERTENCIA:

Mantenga el cable de extensión fuera del área de trabajo. Al trabajar con una producto eléctrica, coloque el cable de tal manera que no pueda enredarse en la madera, productos ni otros obstáculos. La falta de atención a esta advertencia puede redundar en lesiones graves.

⚠ ADVERTENCIA:

Inspeccione los cables de extensión cada vez antes de usarlos. Si están dañados, reemplácelos de inmediato. Nunca utilice la producto con un cable dañado, ya que si toca la parte dañada puede sufrir una descarga eléctrica, con las consecuentes lesiones graves.

CONEXIÓN ELÉCTRICA

Esta producto debe conectarse únicamente a una línea de voltaje de 120 Volts, 60 Hertz, de corriente alterna (corriente normal para uso doméstico). No utilice esta producto con corriente continua (c.c.). Una caída considerable de voltaje causa pérdida de potencia y recalentamiento del motor. Si la sierra no funciona al conectarla en una toma de corriente, vuelva a revisar el suministro de corriente.

VELOCIDAD Y CABLEADO

Esta velocidad no es constante y disminuye durante el corte o con un voltaje bajo. En cuanto al voltaje, el cableado dentro del taller es tan importante como la potencia nominal del motor. Una línea pensada sólo para iluminación no puede alimentar el motor de una producto eléctrica. El cable que tiene el calibre suficiente para una distancia corta, será demasiado delgado para una distancia mayor. Una línea que alimenta una producto eléctrica puede no ser suficiente para alimentar dos o tres productos.

INSTRUCCIONES DE CONEXIÓN A TIERRA

Veja la figura 2.

En caso de un mal funcionamiento o desperfecto, la conexión a tierra brinda a la corriente eléctrica una trayectoria de mínima resistencia para disminuir el riesgo de una descarga eléctrica. Esta producto está provista de un cable eléctrico con un conductor y una clavija de conexión a tierra para equipos. La clavija debe conectarse en una toma de corriente igual que esté correctamente instalada y conectada a tierra, de conformidad con los códigos y reglamentos de la localidad.

No modifique la clavija suministrada. Si no entra en la toma de corriente, llame a un electricista calificado para que instale una toma de corriente adecuada. Si el conductor de conexión a tierra del equipo se conecta de forma incorrecta, puede presentarse un riesgo de descarga eléctrica. El conductor con aislamiento que tiene una superficie exterior verde con o sin tiras amarillas es el conductor de conexión a tierra del equipo. Si es necesaria la reparación o reemplazo del cable eléctrico o de la clavija, no conecte el conductor de conexión a tierra a una terminal portadora de corriente.

Consulte a un electricista calificado o técnico de servicio si no ha comprendido completamente las instrucciones de conexión a tierra o si no está seguro si la producto está conectada a tierra correctamente.

Repáre o reemplace de inmediato todo cable dañado o gastado.

Esta producto debe utilizarse conectada a un circuito con una toma de corriente como la que se muestra en la figura 1. Cuenta también con una punta de conexión a tierra, según se muestra.

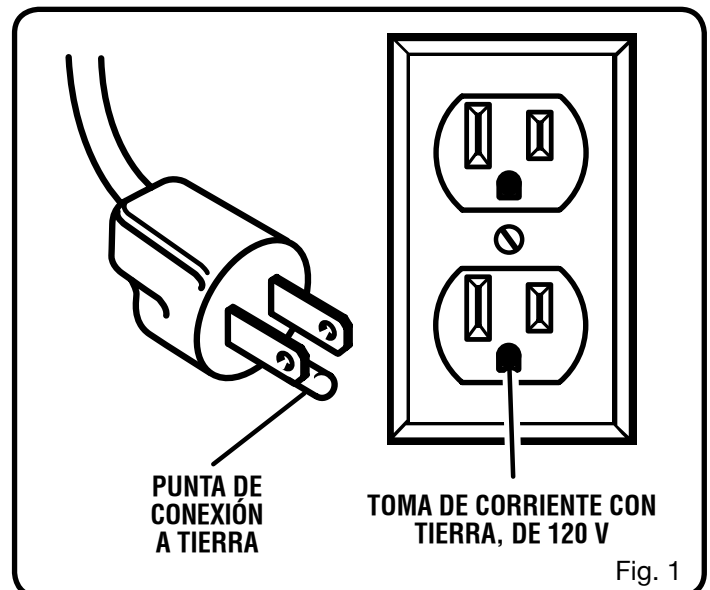


Fig. 1

CARACTERÍSTICAS

ESPECIFICACIONES DEL PRODUCTO

Dimensiones de la mesa406,4 mm x 812,8 mm x 25,4 mm
(16 pulg. x 32 pulg. x 1 pulg.)
Diámetro máximo de la fresa49,21 mm (1-15/16 pulg.)
Longitud de la guía.....711,2 mm (28 pulg.)

Ranura de inglete6,35 mm x 19,01 mm x 812,8 mm
(1/4 pulg. x 3/4 pulg. x 32 pulg.)
Corriente de entrada 120 V, sólo corr. alt., 1 60 Hz, 5 A
Peso neto12,7 kg (28 lbs.)

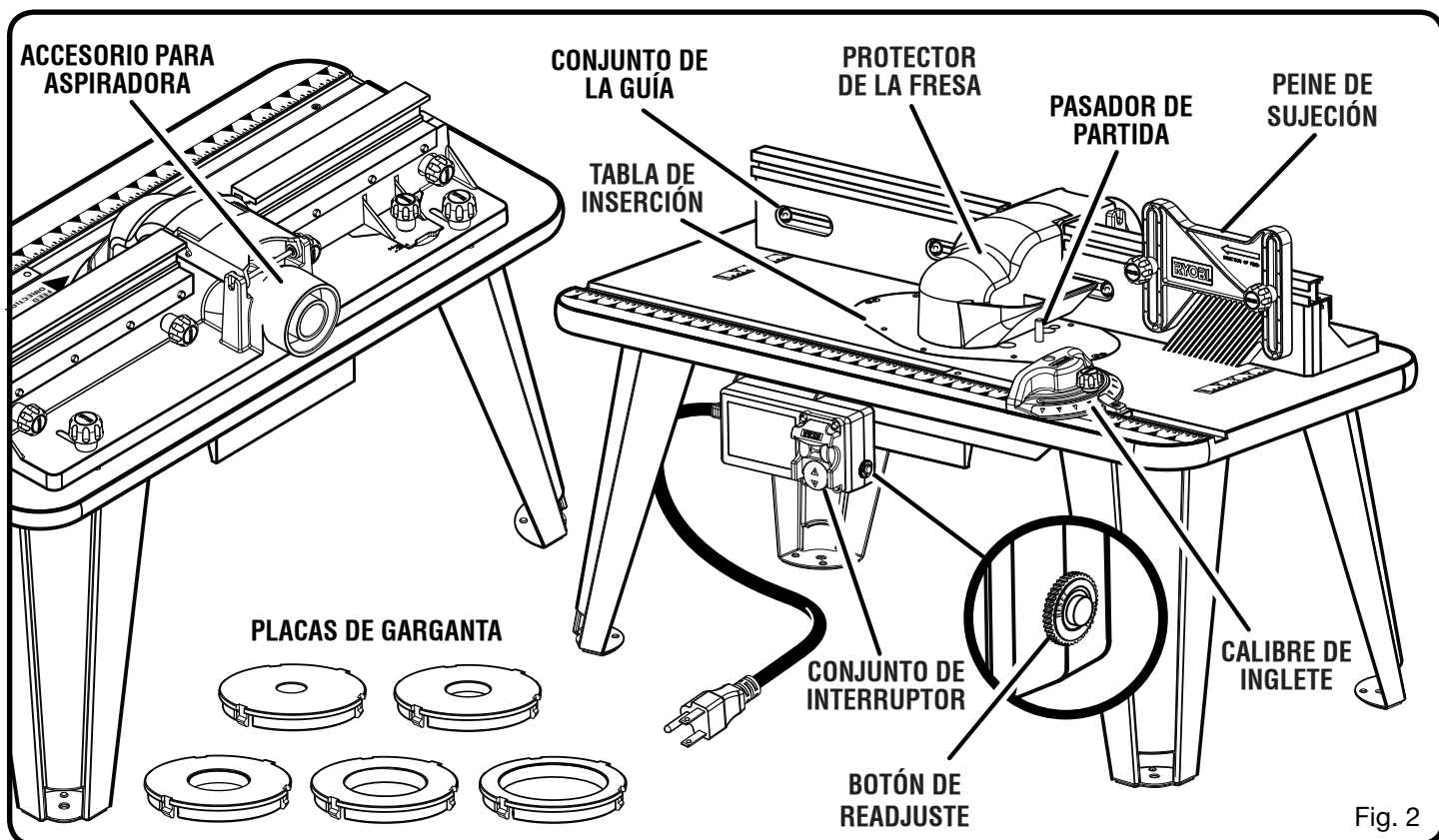


Fig. 2

FAMILIARÍCESE CON LA MESA FRESADORA

Vea la figura 2.

Para usar este producto con la debida seguridad se debe comprender la información indicada en la herramienta misma y en este manual, y se debe comprender también el trabajo que intenta realizar. Antes de usar este producto, familiarícese con todas las características de funcionamiento y normas de seguridad del mismo.

PROTECTOR DE LA FRESA

El protector de la fresa proporciona una barrera para proteger al usuario contra contacto accidental de la fresa y es diseñado para permanecer en el contacto con el workpiece.

PEINE DE SUJECIÓN

El peine de sujeción permite un movimiento seguro de la pieza de trabajo a través del área de corte, y su altura es ajustable.

CONJUNTO DE LA GUÍA

La conjunto de la guía esta sacrificial y proporciona una superficie ajustable para sostener e indicar el trabajo. Moldeó en la asamblea de la cerca son la fijación del vacío.

TABLA DE INSERCIÓN

La tabla de inserción se puede usar junto con una gran variedad de fresadoras. Tiene también pre-taladró hoyos avellanados que se pueden utilizar con una variedad de fresadoras.

CALIBRE DE INGLETE

El calibre de inglete se usa para ranurado en inglete y para apoyar piezas más anchas.

BOTÓN DE READJUSTE

El interruptor de la mesa fresadora es equipado con un botón de readjuste que protege los componentes electrónicos de la caja de interruptor de mesa de rúter de la sobrecarga.

PASADOR DE PARTIDA

Cuando usted no puede usar la guía debido a que la pieza de trabajo tiene una forma difícil o es demasiado pequeña, use el pasador de partida como guía y/o el gire el punto. Use solamente fresas guiadas por piloto cuando use el pasador de partida.

CARACTERÍSTICAS

PLACAS DE GARGANTA

Con su mesa fresadora se incluyen cinco placas de garganta. La placa de garganta proporciona una superficie estable alrededor de la fresa y evita que se caigan objetos a través de la garganta y se dañe el husillo.

ACCESORIO PARA ASPIRADORA

Los puertos del polvo moldearon en la accesorio para aspiradora (1-1/4 pulg.) o 63,5 mm (2-1/2 pulg.) en la fijación del vacío.

CONJUNTO DEL INTERRUPTOR

Vea la figura 3.

Este producto está equipada con un conjunto del interruptor de corriente dotado de cerradura de llave integrada. Esta característica tiene la finalidad de evitar el uso no autorizado y posiblemente peligroso por niños y otras personas.

PARA ENCENDER LA MESA FRESADORA:

- Conecte el rúter en la salida de caja de interruptor en el rable de rúter y conecte la mesa de rúter morceauto de le de pilote de et/ou que un 120 voltio molió salida.
- Para encenderla, introduzca la llave en el interruptor y levante de mismo a la posición de **ENCENDIDO (I)**.

NOTA: La mesa fresadora es equipada con un repone el botón de readjuste (vea la figura 2). Si, para ninguna razón, la mesa fresadora no prenderá, apretará el botón de readjuste y entonces vuelve a encender.

PARA APAGAR LA MESA FRESADORA:

- Para apagarla, baje de interruptor a la posición de **APAGADO (O)**.

PARA ASEGURAR LA MESA FRESADORA:

- Oprima hacia abajo de interruptor.
- Retire la llave del interruptor y guárdela en un lugar seguro.

ADVERTENCIA:

Cuando no esté en uso la herramienta, siempre retire la llave del interruptor y guárdela en un lugar seguro. En caso de un apagón, ponga el interruptor en la posición de **APAGADO (O)** y retire la llave. De esta manera se evita un arranque por accidente de la herramienta al restablecerse la corriente.

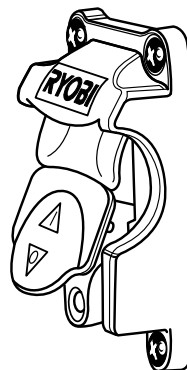
ADVERTENCIA:

SIEMPRE asegúrese de que la pieza de trabajo no toque la hoja, antes de accionar el interruptor para encender la herramienta. La falta de atención a esta advertencia puede causar el lanzamiento violento de la pieza de trabajo hacia el operador, con posibilidad de lesiones graves.

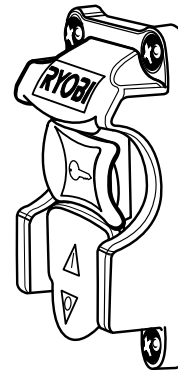
ADVERTENCIA:

Para reducir el riesgo de un arranque accidental, **SIEMPRE** asegúrese de que el interruptor esté en la posición de **APAGADO (O)** antes de conectar la herramienta en la toma de corriente.

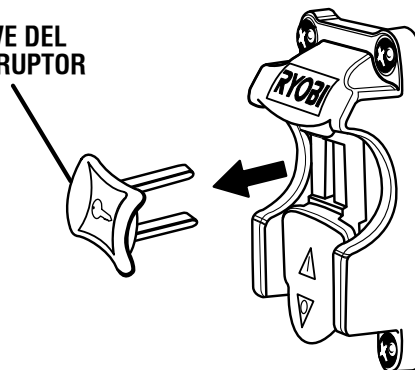
INTERRUPTOR EN POSICIÓN DE ENCENDIDO



INTERRUPTOR EN POSICIÓN DE APAGADO



LLAVE DEL INTERRUPTOR



INTERRUPTOR EN POSICIÓN ASEGURADA

Fig. 3

ARMADO

DESEMPAQUETADO

Este producto requiere armarse.

- Extraiga cuidadosamente de la caja la herramienta y los accesorios. Colóquela sobre una superficie de trabajo nivelada.

ADVERTENCIA:

No utilice este producto si alguna pieza incluida en la lista de empaquetado ya está ensamblada al producto cuando lo desempaqueta. El fabricante no ensambla las piezas de esta lista en el producto. Éstas deben ser instaladas por el usuario. El uso de un producto que puede haber sido ensamblado de forma inadecuada podría causar lesiones personales graves.

- Inspeccione cuidadosamente la herramienta para verificar que no haya sufrido ninguna rotura o daño durante el transporte.
- No deseche el material de empaquetado antes de terminar de inspeccionar cuidadosamente la herramienta, identificar todas las piezas sueltas y utilizar satisfactoriamente la producto.
- Si hay piezas dañadas o faltantes, sírvase llamar al 1-800-525-2579, donde le brindaremos asistencia.

ADVERTENCIA:

Si hay piezas dañadas o faltantes, no utilice esta herramienta sin haber reemplazado todas las piezas. Usar este producto con partes dañadas o faltantes puede causar lesiones serias al operador.

ADVERTENCIA:

No intente modificar este producto ni hacer accesorios no recomendados para la misma. Cualquier alteración o modificación constituye maltrato, el cual puede causar una condición peligrosa, y como consecuencia posibles lesiones serias.

ADVERTENCIA:

No conecte la unidad al suministro de corriente sin haber terminado de armarla. De lo contrario la unidad puede ponerse en marcha accidentalmente, con el consiguiente riesgo de lesiones serias.

ADVERTENCIA:

Los protectores inferiores deben estar firmemente instalados en sus lugares antes de usar la mesa fresadora. El incumplimiento de esta advertencia puede causar una lesión personal grave.

ARMADO

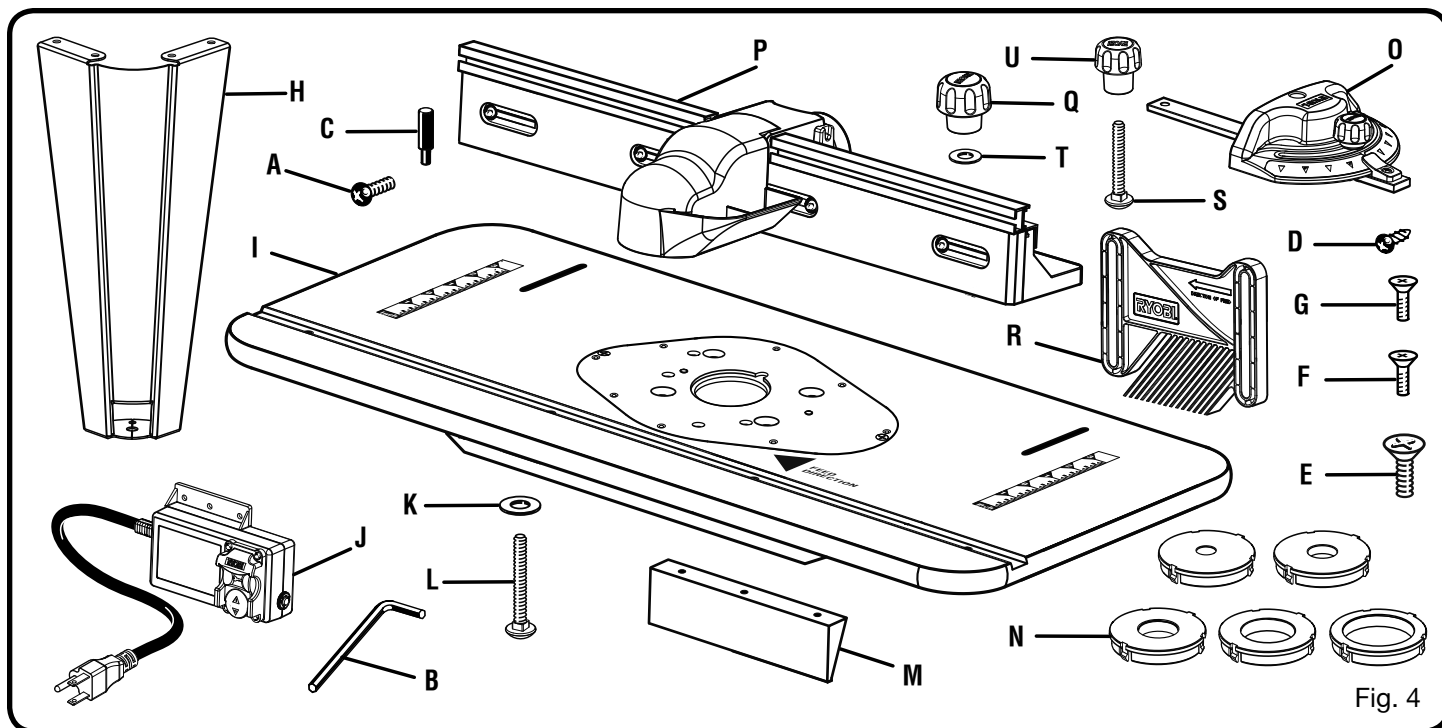


Fig. 4

LISTA DE EMPAQUETADO

Vea la figura 4.

A. Tornillo de pata de la mesa.....	16	K. Arandela de perno de carruaje	2
B. Llave hexagonal	1	L. Perno de carruaje.....	2
C. Pasador de partida	1	M. Protecciones bajo la mesa.....	2
D. Tornillo de las protecciones bajo la mesa.....	6	N. Placa de garganta.....	5
E. Tornillo de la placa de inserción de la fresadora (5/16-18 x 3/4 pulg.).....	3	O. Calibre de inglete	1
F. Tornillo de la placa de inserción de la fresadora (10-24 x 5/8 pulg.).....	3	P. Conjunto de la guía.....	1
G. Tornillo de la placa de inserción de la fresadora (10-32 x 5/8 pulg.).....	3	Q. Perilla de bloqueo de la guía.....	2
H. Pata de la mesa	4	R. Peine de sujeción.....	1
I. Mesa fresadora	1	S. Tornillo de peine de sujeción	2
J. Conjunto de la caja del interruptor	1	T. Arandela de perilla de bloqueo de la guía	2
		U. Perilla de peine de sujeción	2
		V. Manual del operador (no se ilustra)	

NOTA: Los artículos de la A a la G están incluidos en un envase al vacío por separado

ARMADO

ARMADO DE LA MESA PARA FRESADORA

El armado de la mesa para fresadora implica el montaje de la caja del interruptor, las protecciones bajo la mesa, las patas, el conjunto de la placa de inserción/fresadora, el conjunto de la guía, el peine de sujeción, la placa de la garganta, el vástago de inicio y la instalación de la guía de ingletes en la mesa para fresadora.

MONTAJE DE LA CAJA DEL INTERRUPTOR

Vea la figura 5.

La caja del interruptor viene con los tornillos y las tuercas adjuntos. Use estos tornillos y tuercas para conectar la caja del interruptor a la mesa.

- Afloje y quite los tornillos y las tuercas de la caja del interruptor.
- Coloque la mesa para fresadora en posición invertida sobre una superficie plana.
- Sostenga la caja del interruptor de manera que las palabras **ON** (encendido) y **OFF** (apagado) del interruptor basculante queden cabeza abajo.
- Alinee los tres agujeros que se encuentran en la caja del interruptor con los tres agujeros de la parte externa del riel delantero, es decir, el riel que ya está instalado en la parte delantera inferior de la mesa para fresadora.
- Coloque los tornillos de la caja del interruptor a través de los agujeros de la caja del interruptor y por los agujeros del riel delantero.
- Instale las tuercas en el reverso de los tornillos de la caja del interruptor.
- Sosteniendo los tornillos en su lugar con un destornillador, ajuste las tuercas a los tornillos usando una llave o llave de cubo.

MONTAJE DE LAS PROTECCIONES BAJO LA MESA

Vea la figura 6.

Quite los tornillos del protector inferior de la mesa del envase al vacío. Use estos tornillos para conectar los protectores inferiores de la mesa.

- Coloque la mesa para fresadora en posición invertida sobre una superficie plana.
- Coloque las protecciones bajo la mesa por delante y por detrás de la área de placa de inserción. La protección bajo la mesa delantera debe tener el lado con el extremo abierto de cara a la parte posterior de la mesa para fresadora.
- Alinee los tres agujeros de las protecciones bajo la mesa con los agujeros de la mesa. El protector delantero de la parte inferior de la mesa se conecta a través del riel delantero y en la mesa.
- Coloque los tornillos de la protección bajo la mesa a través de los agujeros y en la mesa.
- Apriete los tornillos con un destornillador.

MONTAJE DE LAS PATAS DE LA MESA

Vea la figura 7.

Quite los tornillos de la pata de la mesa del envase al vacío. Use estos tornillos para conectar las patas de la mesa.

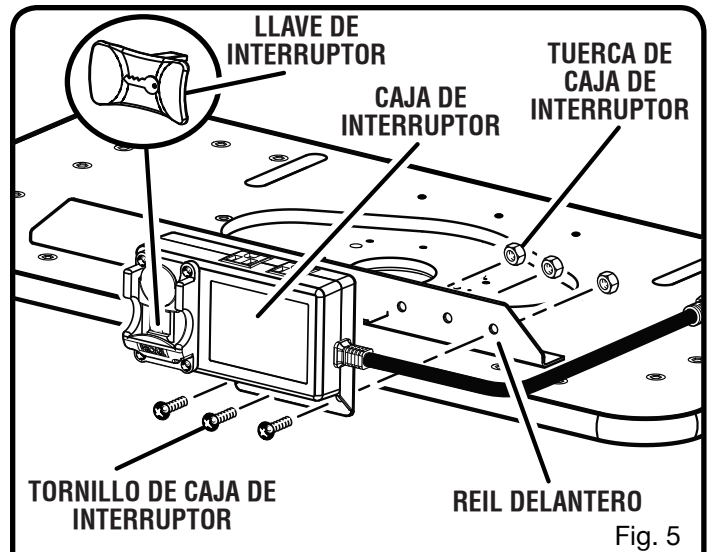


Fig. 5

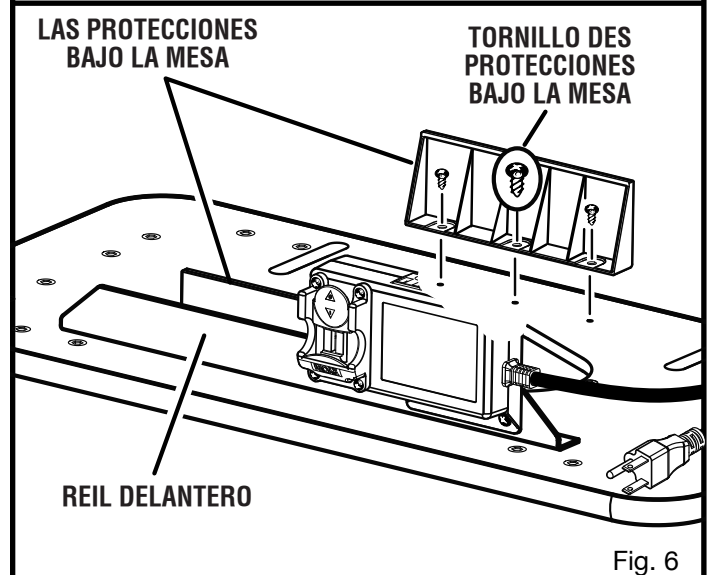


Fig. 6

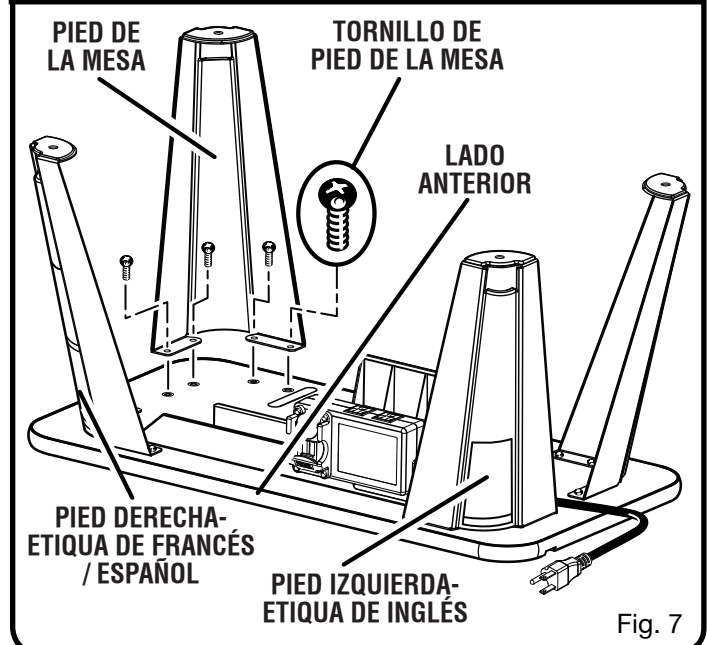


Fig. 7

ARMADO

- Coloque la mesa para fresadora en posición invertida sobre una superficie plana y nivelada con el borde delantero más cerca de usted.
 - Coloque cada pata en una esquina de la mesa. Las patas con las etiquetas de advertencia deben colocarse en la parte delantera, y las patas sin las etiquetas de advertencia deben colocarse en la parte trasera.
- NOTA:** La pata de la mesa con la advertencia en inglés debe colocarse cerca de la caja del interruptor.
- Alinee los cuatro agujeros de las patas con los cuatro agujeros roscados correspondientes de la mesa.
 - Coloque los tornillos de la pata de la mesa a través de los agujeros y en la mesa.
 - Apriete los tornillos con un destornillador.

AGUJEROS PRETALADRADOS PARA AJUSTE DE PROFUNDIDAD A TRAVÉS DE LA MESA

Vea la figura 8.

Dado que cada fresadora tendrá distintas ubicaciones para los ajustes de profundidad a través de la mesa, se han pretaladrado agujeros guía en la placa de la garganta para ayudarlo con los ajustes a través de la mesa. Sólo los modelos listados abajo en la llave están disponibles para el uso con el por la característica del ajuste de mesa.

- Quite la placa de la garganta.
- Determine el tipo de fresadora que tiene y busque el agujero guía pretaladrado que coincide con su fresadora. (Refiérase las abreviaciones de figura 8 que significa abajo.)
- Con un taladro y una broca, taladre un agujero a través del agujero guía que sea lo suficientemente grande como para que pase la herramienta de ajuste de profundidad (no incluida con la mesa para fresadora, pero que puede estar incluida con su fresadora). De este modo, se podrán realizar los ajustes de profundidad a través de la mesa.

Las abreviaciones de figura 8 que significa:

RD: RIDGID R2930, R22002

RY: Ryobi R163K, R163GK

ML: Milwaukee 5615-20, 5616-20

PC1: Porter-Cable 890 Series

PC2: Porter-Cable 8529

MONTAJE DE LA FRESADORA EN LA MESA

Para facilitar el uso, monte la fresadora a la placa de inserción habiendo retirado primero la placa de inserción, luego instale el conjunto de la placa de inserción/fresadora en la mesa para fresadora.

MONTAJE DE LA FRESADORA EN LA PLACA DE INSERCIÓN

Vea las figuras 9 y 10.

Quite los tornillos de la placa del inserto del router del envase al vacío. Use estos tornillos para conectar la placa del inserto del router.

- Quite la fresadora y el mesa fresadora.
- Quite la placa de inserción.
- Quite el plato de subbase del fresadora.

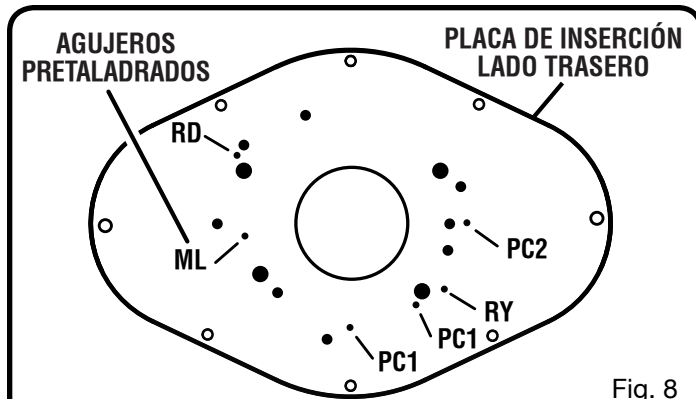


Fig. 8

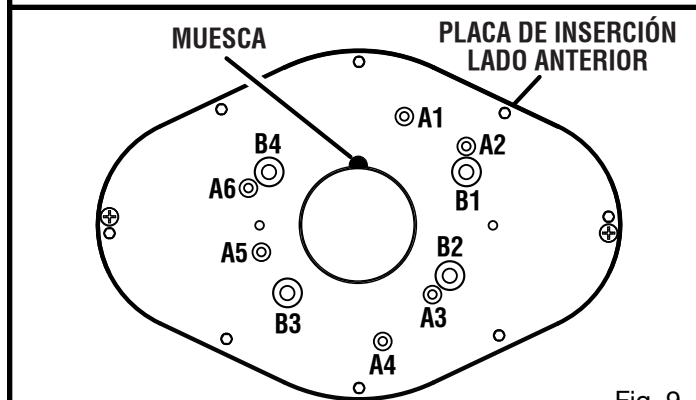


Fig. 9

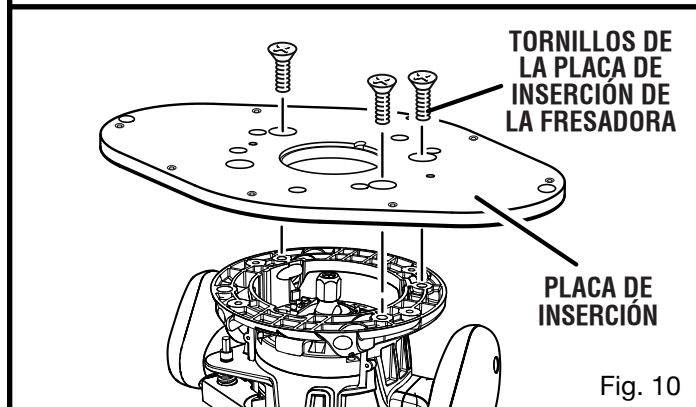


Fig. 10

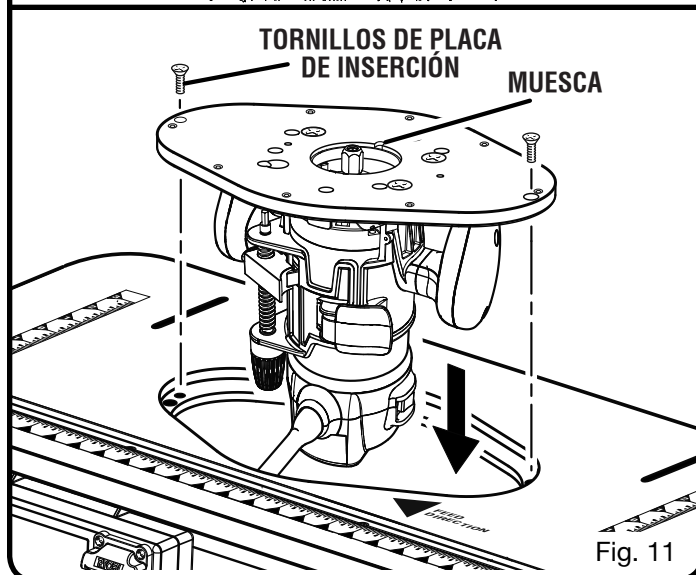


Fig. 11

ARMADO

MARCA	MODELO	TIPO DE BASE	TAMAÑO DE SUJETADORES	AGUJEROS DE LA PLACA DE INSERCIÓN USADOS	CANTIDAD DE AGUJEROS
Bosch	1617	Fija	10-24 x 16 mm (5/8 pulg.)	A1, A3, A5	3
Bosch	1617 EVS	Fija	10-24 x 16 mm (5/8 pulg.)	A1, A3, A5	3
Bosch	1617 EVSPK	Fija	10-24 x 16 mm (5/8 pulg.)	A1, A3, A5	3
Craftsman	17504	Fija	10-32 x 16 mm (5/8 pulg.)	A2, A4, A6	3
Craftsman	17505	Fija	10-32 x 16 mm (5/8 pulg.)	A2, A4, A6	3
Craftsman	17506	Fija	10-32 x 16 mm (5/8 pulg.)	A2, A4, A6	3
Craftsman	17508	Fija	10-32 x 16 mm (5/8 pulg.)	A2, A4, A6	3
Craftsman	17510	Fija	10-32 x 16 mm (5/8 pulg.)	A2, A4, A6	3
Craftsman	17511	Fija	10-32 x 16 mm (5/8 pulg.)	A2, A4, A6	3
Craftsman	17515	Émbolo	5/16-18 x 19 mm (3/4 pulg.)	B1, B2, B4	3
Craftsman	17517	Émbolo	10-32 x 16 mm (5/8 pulg.)	A2, A4, A6	3
Craftsman	17533	Fija	10-32 x 16 mm (5/8 pulg.)	A2, A4, A6	3
Craftsman	17533	Émbolo	5/16-18 x 19 mm (3/4 pulg.)	B1, B2, B4	3
Craftsman	24833	Fija	10-32 x 16 mm (5/8 pulg.)	A2, A4, A6	3
Craftsman	24833	Émbolo	5/16-18 x 19 mm (3/4 pulg.)	B1, B2, B4	3
Craftsman	27500	Fija	5/16-18 x 19 mm (3/4 pulg.)	B1, B2, B4	3
Craftsman	26921	Fija	10-32 x 16 mm (5/8 pulg.)	A2, A4, A6	3
Hitachi	M12V	Émbolo	10-32 x 16 mm (5/8 pulg.)	A1, A3, A5	3
Hitachi	KM12VC	Fija	10-32 x 16 mm (5/8 pulg.)	A1, A3, A5	3
Makita	RF1101	Fija	10-24 x 16 mm (5/8 pulg.)	A1, A3, A5	3
Makita	RP1101	Émbolo	10-24 x 16 mm (5/8 pulg.)	A1, A3, A5	3
Makita	RF1101K	Fija/Émbolo	10-24 x 16 mm (5/8 pulg.)	A1, A3, A5	3
Milwaukee	5615-20	Fija	10-24 x 16 mm (5/8 pulg.)	A1, A3, A5	3
Milwaukee	5616-20	Fija	10-24 x 16 mm (5/8 pulg.)	A1, A3, A5	3
Porter Cable	693LRPK	Émbolo	10-24 x 16 mm (5/8 pulg.)	A1, A3, A5	3
Porter Cable	694PK	Émbolo	10-24 x 16 mm (5/8 pulg.)	A1, A3, A5	3
Porter Cable	694VK	Émbolo	10-24 x 16 mm (5/8 pulg.)	A1, A3, A5	3
Porter Cable	892	Fija	10-24 x 16 mm (5/8 pulg.)	A1, A3, A5	3
Porter Cable	893PK	Fija	10-24 x 16 mm (5/8 pulg.)	A1, A3, A5	3
Porter Cable	7529	Émbolo	10-24 x 16 mm (5/8 pulg.)	A1, A3, A5	3
Porter Cable	8529	Émbolo	10-24 x 16 mm (5/8 pulg.)	A1, A3, A5	3
RIDGID	R2930	Fija	5/16-18 x 19 mm (3/4 pulg.)	B1, B2, B4	3
RIDGID	R22002	Fija	10-32 x 16 mm (5/8 pulg.)	A1, A3, A5	3
Ryobi	R163GK	Fija	10-32 x 16 mm (5/8 pulg.)	A1, A3, A5	3
Ryobi	R160	Fija	5/16-18 x 19 mm (3/4 pulg.)	B1, B2, B4	3
Ryobi	R161K	Fija	5/16-18 x 19 mm (3/4 pulg.)	B1, B2, B4	3
Ryobi	R162K	Fija	5/16-18 x 19 mm (3/4 pulg.)	B1, B2, B4	3
Ryobi	R163K	Fija	5/16-18 x 19 mm (3/4 pulg.)	B1, B2, B4	3
Ryobi	R165U	Fija	5/16-18 x 19 mm (3/4 pulg.)	B1, B2, B4	3
Ryobi	R175	Émbolo	5/16-18 x 19 mm (3/4 pulg.)	B1, B3	2
Ryobi	RE175	Émbolo	5/16-18 x 19 mm (3/4 pulg.)	B1, B3	2
Ryobi	RE180PL/PL1/PL1G	Émbolo	5/16-18 x 19 mm (3/4 pulg.)	B1, B3	2
Skil	1810	Fija	10-32 x 16 mm (5/8 pulg.)	A2, A4, A6	3
Skil	1825	Fija/Émbolo	10-32 x 16 mm (5/8 pulg.)	A2, A4, A6	3

Todas marcas registradas identificadas y comerciá los nombres son la propiedad de sus dueños respectivos.

ARMADO

- Con el siguiente cuadro como referencia y usando uno de los tres juegos incluidos de tres tornillos de la placa de inserción de la fresadora, fije la fresadora a la placa de inserción con los agujeros guía de cara a la fresadora y la muesca en la placa de inserción de cara a la parte posterior de la mesa para fresadora.

NOTA: Al conectar placa de inserción al fresadora, la marca segura los hoyos en el fresadora el igual despreciable arriba con la placa de inserción exactamente y no sea descentrado.

INSTALACIÓN DEL CONJUNTO DE LA PLACA DE INSERCIÓN/ FRESADORA

Vea la figura 11.

- Quite la fresadora y el mesa fresadora.
- Con la placa de inserción instalada en la fresadora, coloque el conjunto de la placa de inserción y de la fresadora en la mesa para fresadora con la muesca de la placa de inserción de cara a la parte posterior de la mesa para fresadora y alejadas de caja de interruptor.
- Instala el aprieta los tornillos de plato de adición y la hoja afloja hasta que todos ajustes hayan sido hechos.

NIVELARLA PLACA DE INSERCIÓN

Vea la figura 12.

- Quite la fresadora y el mesa fresadora.
- El cheque para ver si el plato de la adición montó la asamblea es plano con una orilla o el nivel rectos.
- Afloje los tornillos de la placa de inserción.
- Utilizando la llave suministrada del mal de ojo, aprieta o afloja los tornillos de ajuste según cómo las necesidades de plato de adición para ser ajustadas para hacer el nivel de plato de adición.
- Apriete los tornillos de plato de adición con un destornillador.

MONTAJE DEL CONJUNTO DE LA GUÍA

Vea la figura 13.

- Quite la fresadora y el mesa fresadora.
- Coloque la mesa para fresadora en la posición vertical normal, con el borde posterior más cerca de usted.
- Deslice las arandelas de pernos de carruaje en los pernos de carruaje.
- El coche del resbaladero cierra por la ranura en la mesa fresadora y por los hoyos en la asamblea de la cerca.
- Introduzca la arandela de perillas de fijación sobre los pernos de carruaje.
- Instale las perillas de fijación de la guía sobre los pernos de carruaje.
- Apriete las perillas de fijación de la guía.

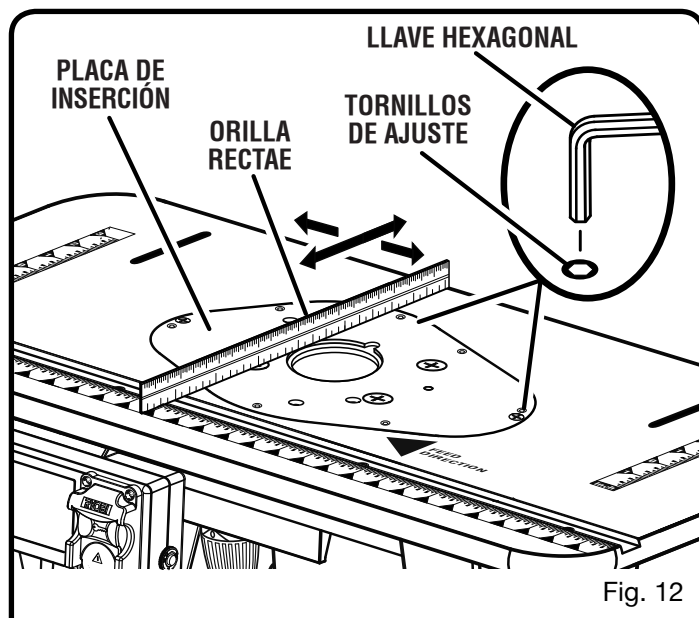


Fig. 12

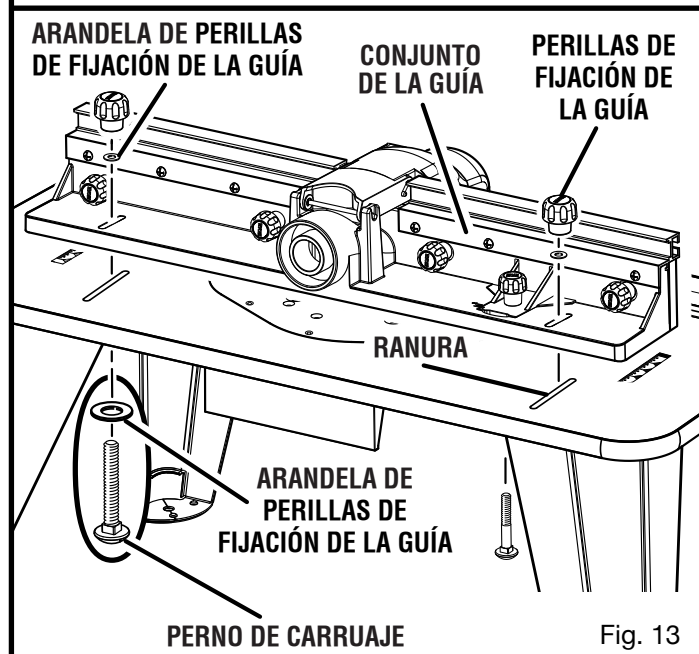


Fig. 13

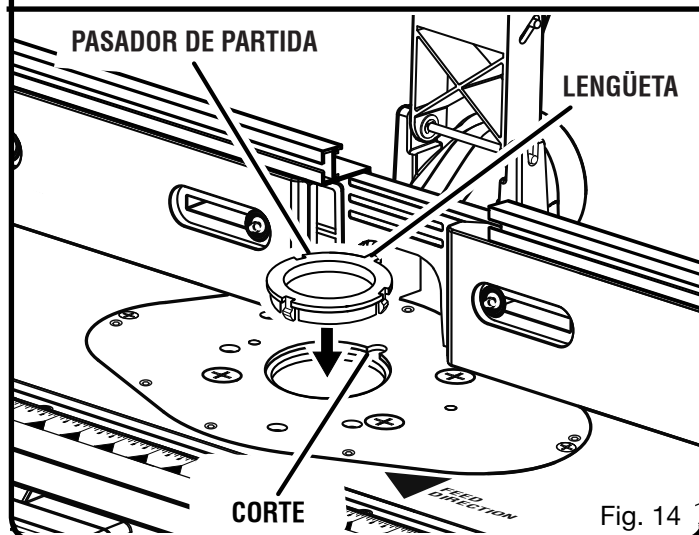


Fig. 14

ARMADO

⚠ ADVERTENCIA:

Cerciórese placas de garganta chasquéan seguramente en lugar. No utilice si los cierres son dañados o placas de garganta no chasquéan en seguramente. El fracaso para hacer así podría tener como resultado la herida personal grave.

INSERCIÓN DE LA PLACA DE GARGANTA

Vea la figura 14.

La placa de garganta provee una superficie estable alrededor de la fresa y evita que caigan objetos a través de la garganta y dañen el husillo.

La selección de la placa de garganta adecuada depende del tamaño y forma de la fresa. Una vez insertada, la abertura de la placa de garganta debe estar dentro de aproximadamente 6,4 mm (1/4 pulg.) del borde más exterior de la fresa.

- Quite la fresadora y el mesa fresadora.
- Seleccione la placa de la garganta que desea usar.
- Presione la placa de la garganta en la ranura de la placa de inserción hasta que entre en su lugar.
- Para quitarla, empuje la placa de la garganta hacia afuera desde la parte inferior de la placa de inserción.

MONTAJE DEL PEINE DE SUJECIÓN

Vea la figura 15.

- Quite la fresadora y el mesa fresadora.
- Coloque los pernos de carruaje a través de las ranuras del conjunto de la guía.
- Introduzca el peine de sujeción sobre los tornillos de peine de sujeción.
- Instale las perillas de fijación y las perillas de perno de carruaje sobre los pernos de carruaje.
- Apriete las perillas de fijación.

INSERCIÓN DEL PASADOR DE PARTIDA

Vea la figura 16.

Quite el vástago de inicio del envase al vacío. Coloque el pasador de partida en la mesa fresadora y úselo como un punto de giro cuando corte piezas pequeñas de formas difíciles.

NOTA: No es necesario usar la guía cuando use el pasador de partida, pero el guardia del pedacito debe ser utilizado para cubrir el cortador. Además, use solamente fresas con pilotos cuando use el pasador de partida.

- Quite la fresadora y el mesa fresadora.
- Coloque el pasador de partida en el agujero roscado en el lado derecho de la abertura de la garganta de la mesa fresadora.
- Empuje el vástago hacia adentro para asegurarlo.

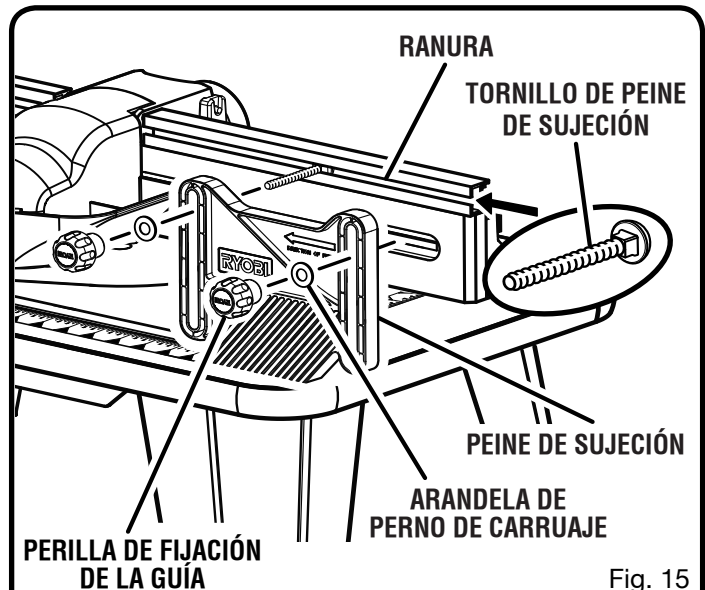


Fig. 15

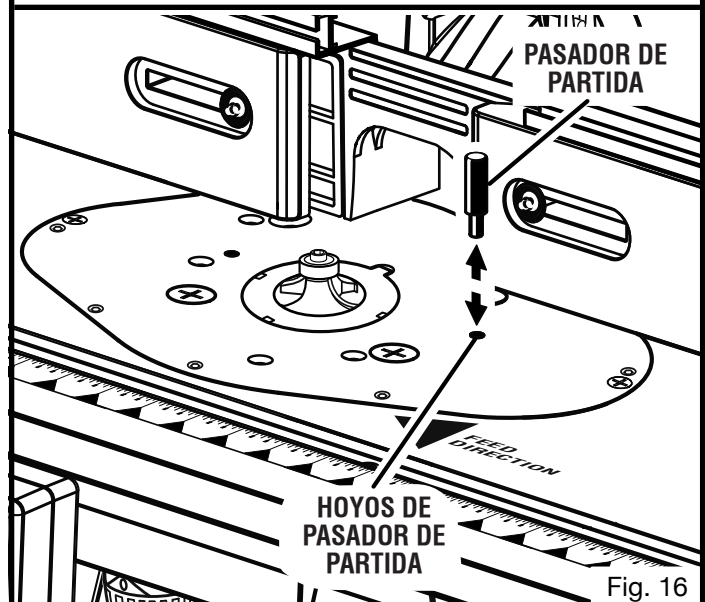


Fig. 16

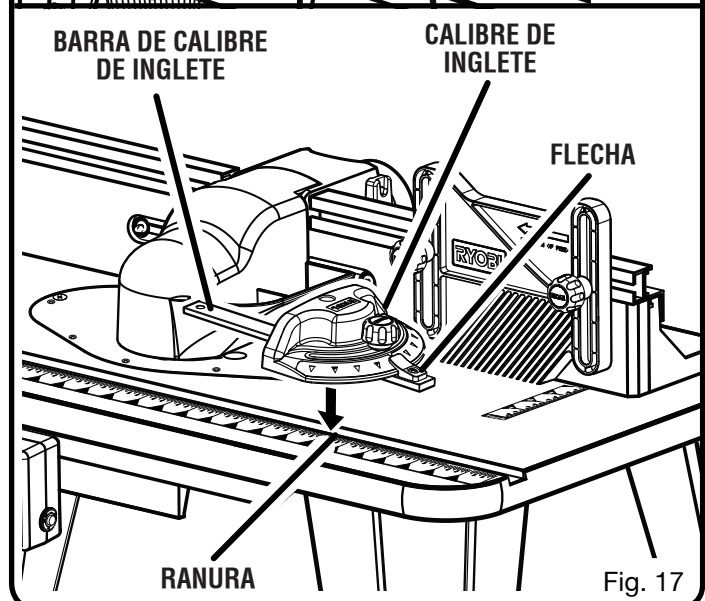


Fig. 17

ARMADO

INSTALACIÓN DE LA GUÍA DE INGLETES

Vea la figura 17.

- Quite la fresadora y el mesa fresadora.
- Con la mesa para fresadora en la posición vertical normal y el borde delantero más cerca de usted, coloque la barra de la guía de ingletes en la ranura cerca de la parte delantera de la mesa con el puntero a la derecha.

INSTALACION DE LA ACCESORIO PARA ASPIRADORA

Vea la figura 18.

Los puertos del polvo moldearon en la accesorio para aspiradora (1-1/4 pulg.) o 63,5 mm (2-1/2 pulg.) en la fijación del vacío.

SUJECIÓN DE LA MESA PARA FRESADORA A UN BANCO DE TRABAJO

Vea la figura 19.

- Quite la fresadora y el mesa fresadora.
- Coloque la mesa para fresadora en la posición vertical normal, sobre una superficie de trabajo resistente (p. ej., un pedestal, banco de trabajo, mesa, etc.).
- Con una prensa de mano, pase la parte delantera superior de la prensa de mano a través de la abertura en la pata de la mesa para fresadora.
- Apriete firmemente la prensa de mano.

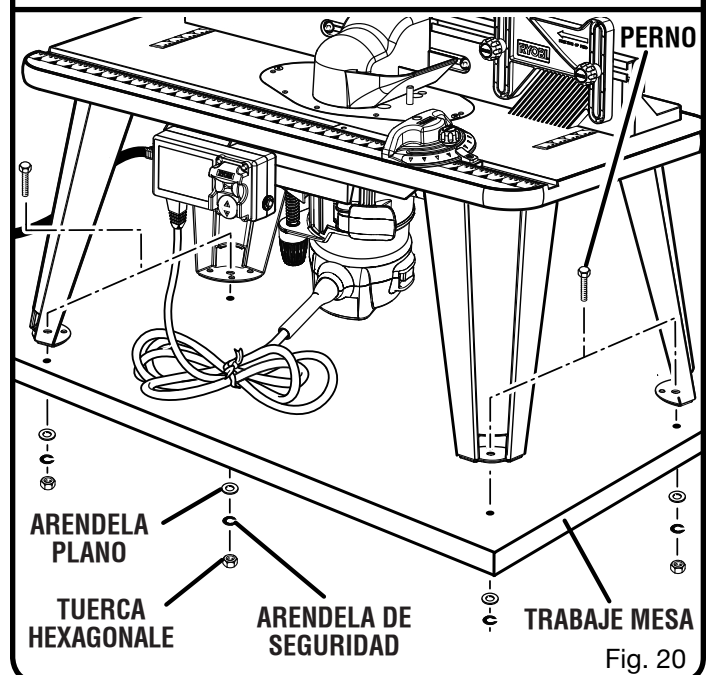
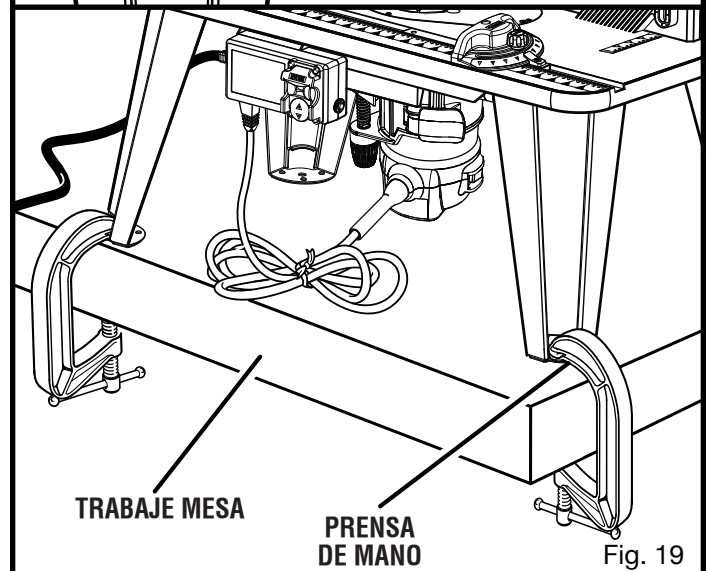
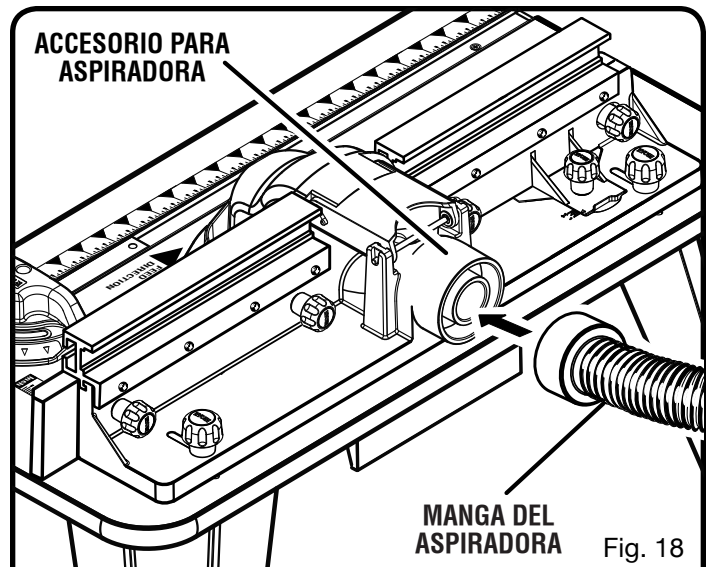
MONTAJE DE LA MESA EN UN TRABAJE MESA

Vea la figura 20.

- Quite la fresadora y el mesa fresadora.
- Coloque la mesa fresadora en posición correcta sobre una superficie de trabajo resistente, por ej., pedestal de trabajo, banco de trabajo, encimera.
- Marque los agujeros de las patas con un lápiz.
- Retire la mesa fresadora.
- Taladre cuatro agujeros a través de la trabaje mesa.
- Vuelva a colocar la mesa sobre la superficie de trabajo,alineando los agujeros de las patas de la mesa con los agujeros taladrados en la superficie de trabajo.

NOTA: Coloque la mesa fresadora aproximadamente ala altura de las caderas.

- Inserte cuatro pernos (no se incluyen, se recomiendade 1/4-20) y apriete firmemente con arendelas plano, arandelas de seguridad, y tuercas hexagonales (no se incluyen).



FUNCIONAMIENTO

ADVERTENCIA:

No permita que su familiarización con los productos lo vuelva descuidado. Tenga presente que un descuido de un instante es suficiente para causar una lesión seria.

ADVERTENCIA:

Siempre póngase protección ocular con protección lateral con la marca de cumplimiento de la norma ANSI Z87.1. Si no cumple esta advertencia, los objetos que salen despedidos pueden producirle lesiones serias en los ojos.

ADVERTENCIA:

No utilice ningún aditamento o accesorio no recomendado por el fabricante de este producto. El empleo de aditamentos o accesorios no recomendados podría causar lesiones serias.

USOS

Este producto puede emplearse para los fines enumerados abajo:

- Mesa montó las operaciones de friso y mortaja en la madera y materias de composición de madera
- La cerca indicó bordeando las operaciones para la ebanistería y el retrato que encuadran en la madera y materias de composición de madera
- Las operaciones dirigidas del cortador que utilizan el alfiler que empieza para bordear superficies modeladas en la madera y materias de composición de madera

ADVERTENCIA:

Su fresadora o mesa fresadora no deben estar enchufados en la fuente de alimentación cuando esté instalando piezas, haciendo ajustes, instalando o sacando fresas, limpiándolo o cuando no está en uso. Al desenchufar el fresadora o mesa fresadora evitará la puesta en marcha accidental que podría provocar una lesión personal grave.

ADVERTENCIA:

La dirección de avance para la pieza de trabajo es siempre en contra de los bordes afilados de la fresa y por lo tanto hacia la rotación de la fresa. El incumplimiento de esta advertencia puede resultar en una lesión personal grave.

ADVERTENCIA:

Cuando use el fresadora montado en una mesa fresadora, el fresadora debe ser enchufado y controlado solamente por el toma corriente con interruptor situado en la mesa fresadora. A fin de reducir el riesgo de una lesión personal grave, nunca enchufe un fresadora que esté montado en una mesa fresadora en ninguna otra fuente de alimentación.

FORMA DE EFECTUAR OPERACIONES DE FRESADO

Vea las figuras 21 a 23.

Observe las siguientes reglas al usar la fresadora:

- Lea todo el Manual del Operador de la fresadora y la mesa para fresadora.
- Conecte el cordón de corriente de la mesa de la fresadora en un suministro de corriente.
- Siempre controle la corriente suministrada a la fresadora con el interruptor de la mesa cuando dicha herramienta esté montada en ésta.
- Siempre conecte la fresadora en cualquiera de la toma de corriente con interruptor de la mesa. Nunca conecte la fresadora montada en la mesa en ningún otro suministro de corriente.
- Coloque la guía de entrada y salida de manera que estén cerca del diámetro de corte máximo de la fresa, pero sin tocar la fresa.

FUNCIONAMIENTO

NOTA: La pieza de trabajo debe estar siempre apretada contra la guía, a menos que esté utilizando una fresa de vástago con cojinete de bolas.

- Ajuste la guía de entrada para dar apoyo a la pieza de trabajo antes del fresado y ajuste la guía de salida para dar apoyo a la pieza después del fresado. La ubicación "0" en la escala de la guía denota el centro de la abertura de la garganta correspondiente a la mesa.
- Verifique otra vez que todos los dispositivos de ajuste de la fresadora estén firmemente fijos antes de conectar la mesa de la fresadora a un suministro de corriente.
- El fresa rota en el sentido contrario a las agujas del reloj (vista desde la parte superior de la mesa) en la mesa de la fresadora. Siempre avance la pieza de trabajo contra los bordes afilados de la fresa.
- Asegúrese de que el interruptor de la mesa para fresadora esté en la posición de **APAGADO (O)** cuando no lo use. Retire la llave del interruptor para garantizar que la mesa para fresadora esté apagada.

⚠ ADVERTENCIA:

Nunca avance la pieza de trabajo en la misma dirección que la rotación de la broca. Avanzar en esta dirección puede hacer que la pieza de trabajo se monte en la broca y provocar lesiones personales graves.

⚠ ADVERTENCIA:

Al hacer un corte lateral o de borde, nunca posicione la guía de tal forma que la pieza de trabajo se ubique entre la fresa y la guía. La inobservancia de esta advertencia puede causar lesiones corporales graves.

MONTAJE Y DESMONTAJE DE LAS FRESAS

- Quite la fresadora y el mesa fresadora.
- Retire el conjunto de la placa de inserción/fresadora. (Consulte **Instalación del conjunto de la placa de inserción/ fresadora** en la sección *Armado*).

⚠ ADVERTENCIA:

Si usted está cambiando una fresadora inmediatamente después de haber usado la herramienta, tenga cuidado de no tocar la fresadora o el porta fresa con sus manos o con los dedos. Se puede que mar debido a la acumulación de calor producida por el corte. Siempre use una llave.

- Consulte el Manual del Operador de la fresadora para conocer el procedimiento adecuado para retirar/instalar las fresas, y luego cambie la fresa.

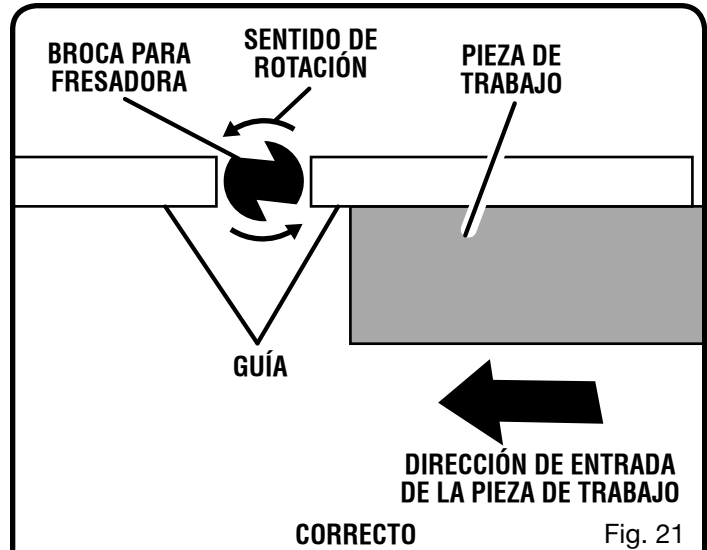


Fig. 21

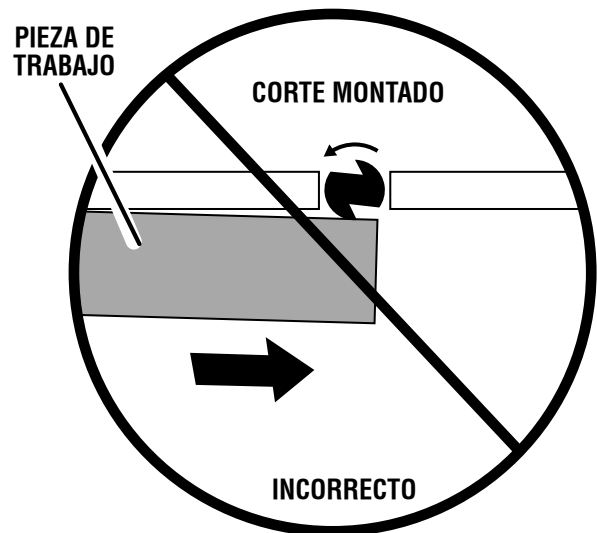


Fig. 22

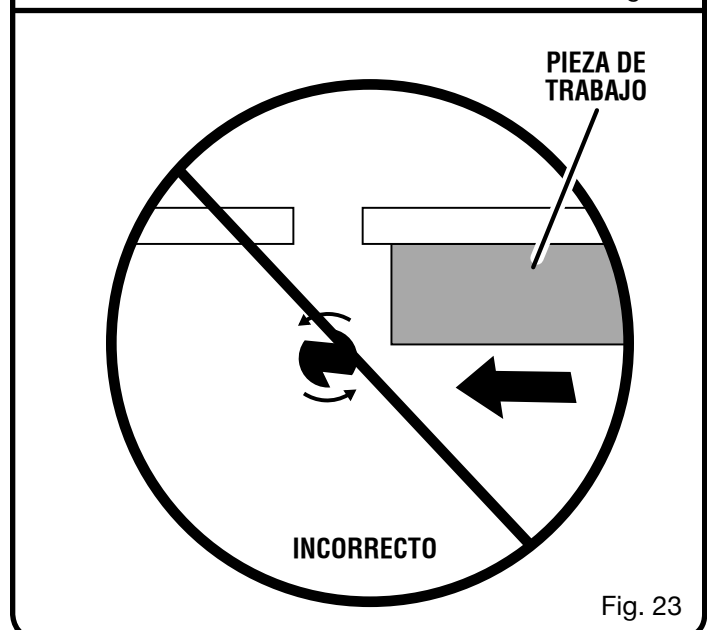


Fig. 23

FUNCIONAMIENTO

AJUSTE DE LA PROFUNDIDAD DE CORTE

Consulte el manual del operador de la fresadora para ajustar la profundidad del corte.

AJUSTE DEL CALIBRE DE INGLETE

Vea la figura 24.

- Quite la fresadora y el mesa fresadora.
- Afloje la perilla del calibre de inglete.
- Gire el calibre de inglete al ángulo deseado.
- Apriete la perilla del calibre de inglete.

COLOCACIÓN DE LA GUÍA

Vea la figura 25.

La guía le permite apoyar o guiar la pieza de trabajo.

- Quite la fresadora y el mesa fresadora.
- Afloje las perillas de bloqueo de la guía.
- Coloque la guía a la ubicación deseada.
- Apriete las perillas de bloqueo de la guía.

NOTA: La cerca de outfeed puede tener las capacidades de la unión y ser ajustada en incrementos hasta 1/4 en. y le permite a sostener el workpiece como sale el cortador.

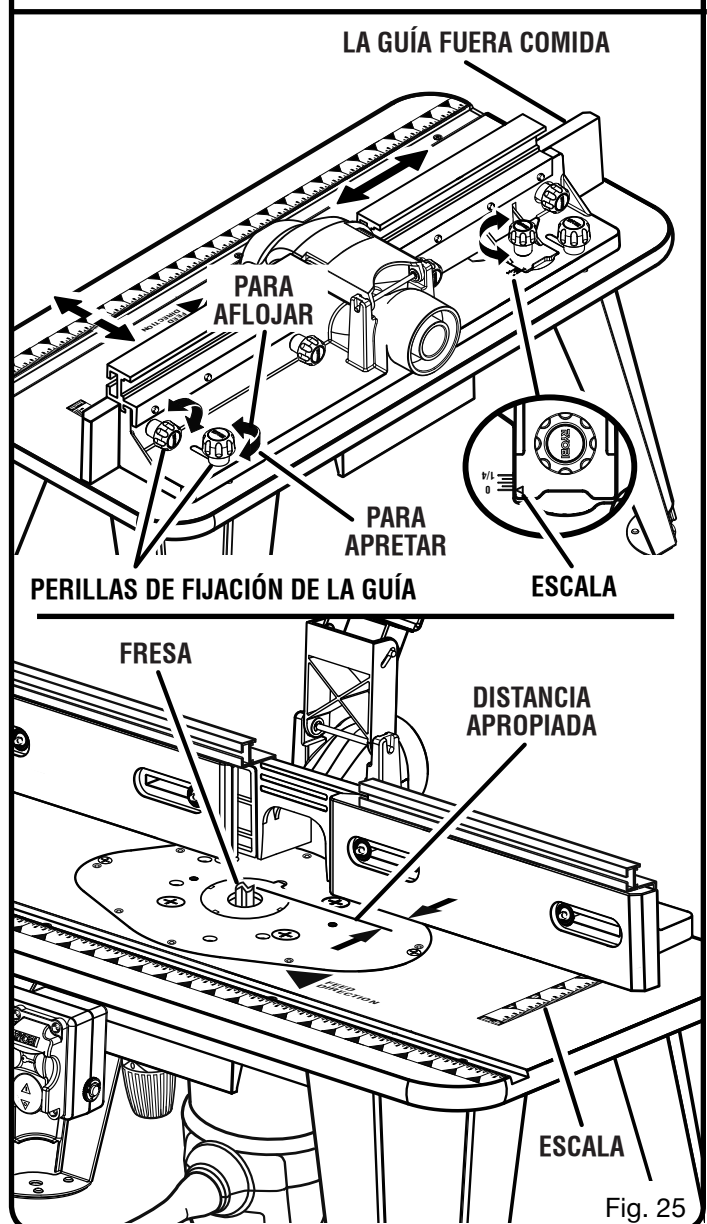
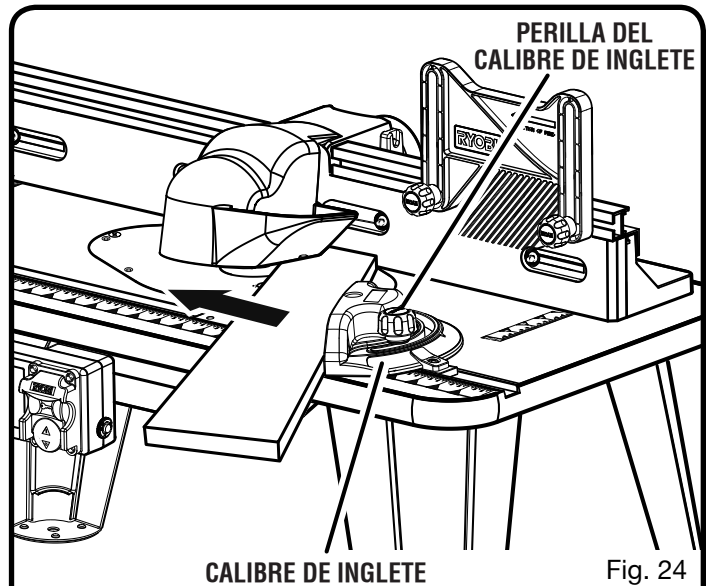
ADVERTENCIA:

Al hacer un corte del lado o la orilla, nunca posiciona la cerca tanto que el workpiece sea localizado entre el cortador y la cerca. El fracaso para hacer caso de esta advertencia puede tener como resultado la herida personal grave.

- Se puede cortar una ranura en la pieza de trabajo ajustando la guía hacia atrás en la fresa. Al cortar una ranura, avance la pieza de trabajo de derecha a izquierda. Al ensanchar una ranura existente, asegúrese de que el lado que está cortando esté contra el borde extremo de la fresa. Este es el lado más alejado de la guía cuando avance la pieza de trabajo de derecha a izquierda. Vea las figuras 21 a 23.

ADVERTENCIA:

Cuando realice un corte de ranura secundario para ampliar una ranura, corte siempre la ranura contra la dirección de rotación de la cortadora. Si no lo hace, la pieza de trabajo puede salir expulsada y provocar lesiones personales graves.



MANTENIMIENTO

ADVERTENCIA:

Para el servicio de la unidad sólo utilice piezas de repuesto idénticas. El empleo de piezas diferentes puede causar un peligro o dañar el producto.

ADVERTENCIA:

Siempre póngase protección ocular con protección lateral con la marca de cumplimiento de la norma ANSI Z87.1. Si no cumple esta advertencia, los objetos que salen despedidos pueden producirle lesiones serias en los ojos.

MANTENIMIENTO GENERAL

Evite el empleo de solventes al limpiar piezas de plástico. La mayoría de los plásticos son susceptibles a diferentes tipos de solventes comerciales y pueden resultar dañados. Utilice paños limpios para eliminar la suciedad, el polvo, el aceite, la grasa, etc.

ADVERTENCIA:

No permita en ningún momento que fluidos para frenos, gasolina, productos a base de petróleo, aceites penetrantes, etc., lleguen a tocar las piezas de plástico. Las sustancias químicas pueden dañar, debilitar o destruir el plástico, lo cual a su vez podría producir lesiones corporales serias.

Las herramientas eléctricas que se utilizan en materiales de fibra de vidrio, paneles de yeso para paredes, compuestos de resanar o yeso, están sujetas a desgaste acelerado y posible fallo prematuro porque las partículas y limaduras de fibra de vidrio son altamente abrasivas para los cojinetes, escobillas, conmutadores, etc. Por consiguiente, no recomendamos el uso de esta herramienta durante períodos prolongados de trabajo en estos tipos de materiales. Sin embargo, si usted trabaja con cualquiera de estos materiales, es sumamente importante limpiar la herramienta con aire comprimido.



OPERATOR'S MANUAL/ROUTER TABLE
MANUEL D'UTILISATION / TABLE À TOUPIE
MANUAL DEL OPERADOR/MESA FRESADORA
A25RT03

To request service, purchase replacement parts,
locate an Authorized Service Center and obtain Customer or Technical Support:

Visit **www.ryobitools.com** or call **1-800-525-2579**

If any parts or accessories are damaged or missing,
do not return this product to the store. Call **1-800-525-2579** for immediate service.

Please obtain your model and serial number from the product data plate.

This product is covered under a 3-year limited Warranty. Proof of purchase is required.

MODEL NUMBER _____ SERIAL NUMBER _____

RYOBI is a trademark of Ryobi Limited and is used pursuant to a license granted by Ryobi Limited.

Pour faire une demande de réparations ou obtenir des pièces de rechange, trouver un
Centre de réparations agréé pour obtenir un soutien technique ou le Service à la clientèle :

Visiter **www.ryobitools.com** ou en téléphonant au **1-800-525-2579**

Si des pièces ou accessoires sont manquantes ou endommagées, ne pas retourner
ce produit au magasin. Appeler immédiatement au **1-800-525-2579** pour obtenir de l'aide.

Inscrire les numéros de modèle et de série inscrits sur la plaque d'identification du produit.

Ce produit est couvert par une garantie limitée de trois (3) ans. Une preuve d'achat est exigée.

NUMÉRO DE MODÈLE _____ NUMÉRO DE SÉRIE _____

RYOBI est une marque de Ryobi Limited et est utilisée en vertu d'une licence accordée par Ryobi Limited.

Para obtener servicio, comprar piezas de repuesto, localizar un centro de servicio autorizado
y obtener Servicio o Asistencia Técnica al Consumidor:

Visite **www.ryobitools.com** o llame al **1-800-525-2579**

Si hay alguna pieza ou accesorios dañada o faltante, no devuelva este producto a la tienda.
Llame al **1-800-525-2579** para servicio técnico inmediato.

Obtenga su modelo y número de serie de la placa de datos del producto.

Este producto está cubierto con una garantía limitada de 3 años. Se solicita prueba de la compra.

NÚMERO DE MODELO _____ NÚMERO DE SERIE _____

RYOBI es una marca de Ryobi Limited y se utiliza conforme a una licencia otorgada por Ryobi Limited.

ONE WORLD TECHNOLOGIES, INC.

P.O. Box 1427, Anderson, SC 29622 • Phone 1-800-525-2579

États-Unis, Téléphone 1-800-525-2579 • USA, Teléfono 1-800-525-2579

www.ryobitools.com