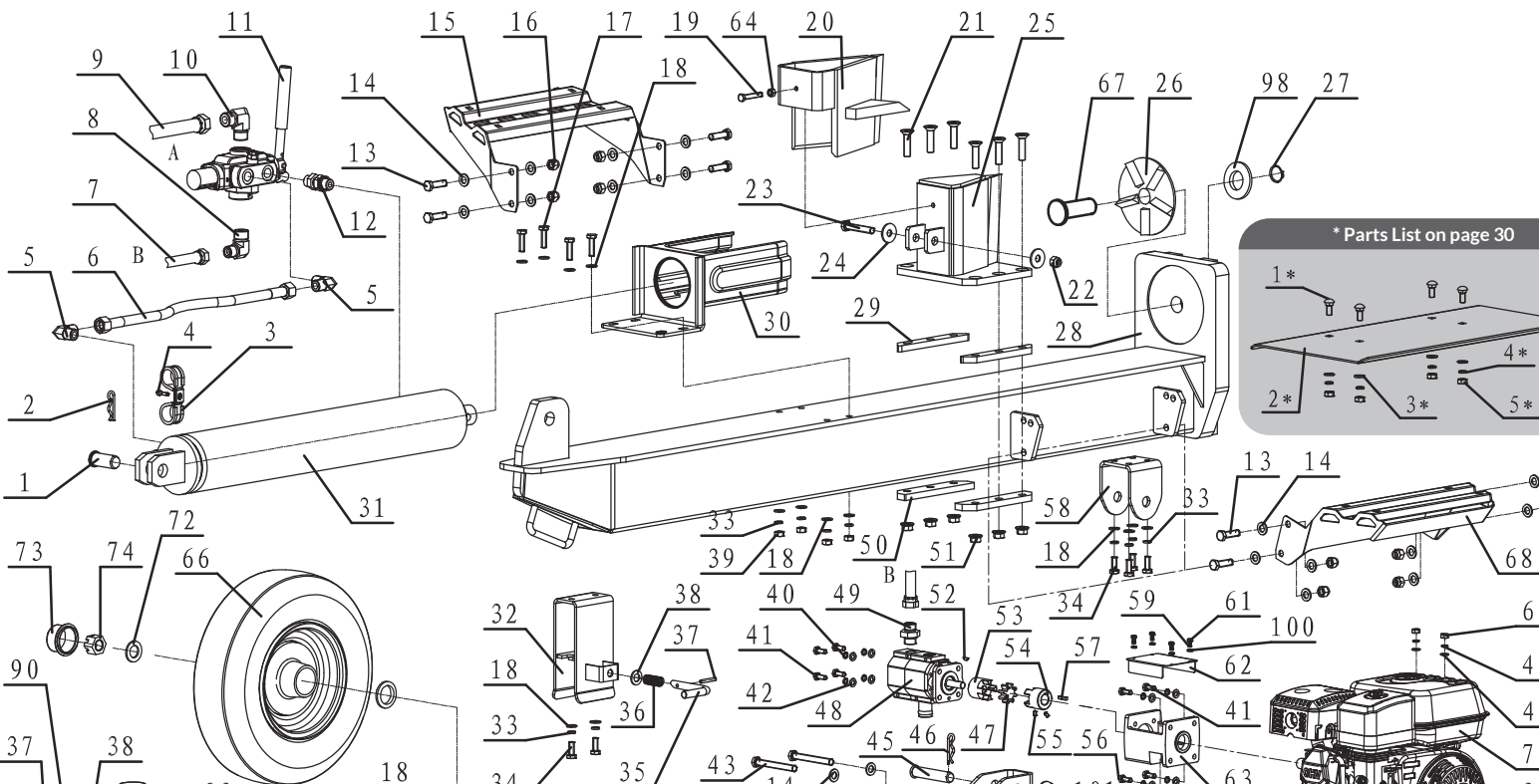


No.	Description	Qty	No.	Description	Qty
1	Pin 35x55	1	39	Nut M10	4
2	Bridge Pin	1	40	Spring Washer 8	8
3	Hose Clamp	2	41	Bolt M8x20	6
4	Hex Socket Head Cap Screw M6x20	1	42	Washer 8	18
5	Right-Angle Fitting	2	43	Bolt M12x90	2
6	Welded Hose	1	44	Cotter Pin 4x50	2
7	High Pressure Supply Hose	1	45	Beam Pivot Pin 20x110	1
8	Right-Angle Fitting 1	1	46	Bridge Pin	1
9	Low Pressure Return Hose	1	47	Elastic Spider Block	1
10	Right-Angle Fitting 2	1	48	Gear Pump	1
11	Control Valve	1	49	Outlet Connector of Pump	1
12	Straight Fitting	1	50	Retainer Slide	2
13	Bolt M12x35	8	51	Nut M12	6
14	Flat Washer 12	22	52	Half Round Key	1
15	Log Cradle-Left	1	53	Gear Pump Connector Left	1
16	Nut M12	9	54	Gear Pump Connector Right	1
17	Bolt M10x35	4	55	Bolt M6x20	2
18	Washer 10	14	56	Bolt 5/16	4
19	Bolt M12x35	1	57	Key 5x20	1
20	4-Way Wedge	1	58	Pivot Bracket	1
21	Cross Recessed Head Screw M12x50	6	59	Spring Washer 4	4
22	Nut M14	1	60	Manual Tube	1
23	Bolt 14x90	1	61	Bolt M4x10	4
24	Big Washer 14	2	62	Cover of Pump Bracket	1
25	Wedge	1	63	Pump Bracket	1
26	Log Spinner	1	64	Nut M12	5
27	Circlip 29	1	65	Spring Washer 12	4
28	Beam Weldment	1	66	Tire	2
29	Guide Slide	2	67	Locating Plunger of Log Spinner	1
30	Log Stripper Weldment	1	68	Log Cradle-Right	1
31	Cylinder	1	69	Nut M8	4
32	Beam Lock Bracket	1	70	Engine	1
33	Spring Washer 10	10	71	Dipstick	1
34	Bolt M10x25	6	72	Wheel Washer 22	2

YU2566/YU2866



* Parts List on page 30