

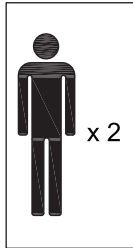
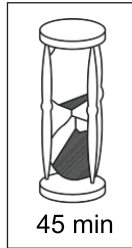
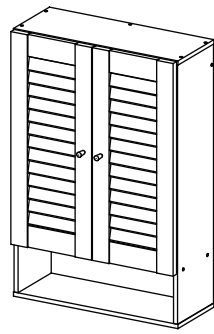


www.furinno.com

NEED HELP? For replacement requests or product inquiries, please contact our Customer Service Team by emailing us at support@furinno.com. Thank you for selecting Furinno!

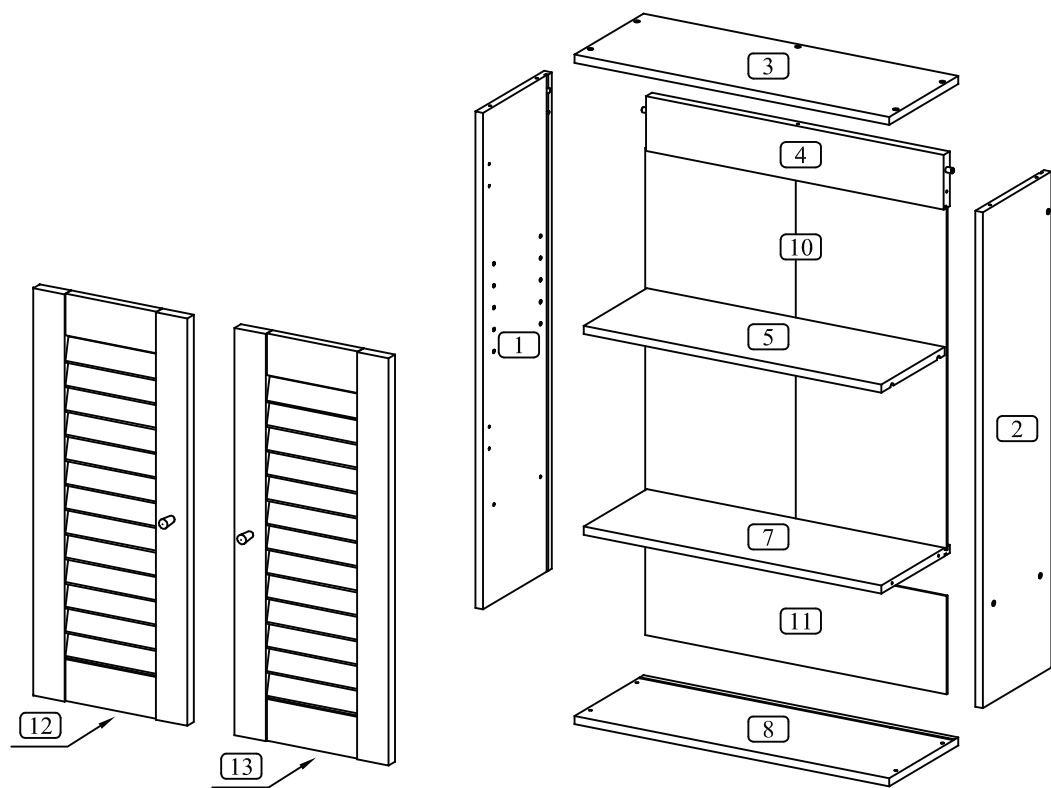
16063

Furinno Wall Cabinet with 2 Door



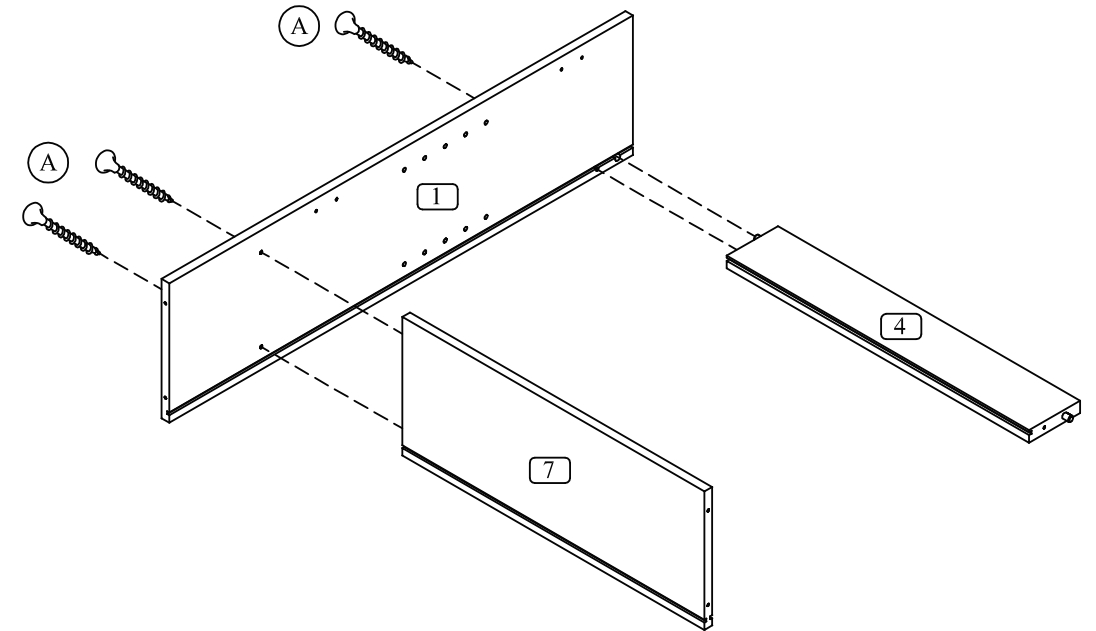
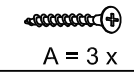
USEFUL HINTS BEFORE YOU START:

1. Read each step carefully before starting.
2. It is important that each step is performed in correct order to avoid difficulties.
3. Identify, sort and count the parts before assembly.
4. Assemble your furniture on packaging cardboard to prevent scratch or damage.
5. Clean the product with mild cleanser using soft damped cloth. Do not use harsh or abrasive cleanser.
6. Using incompatible hardware might cause damage to product.

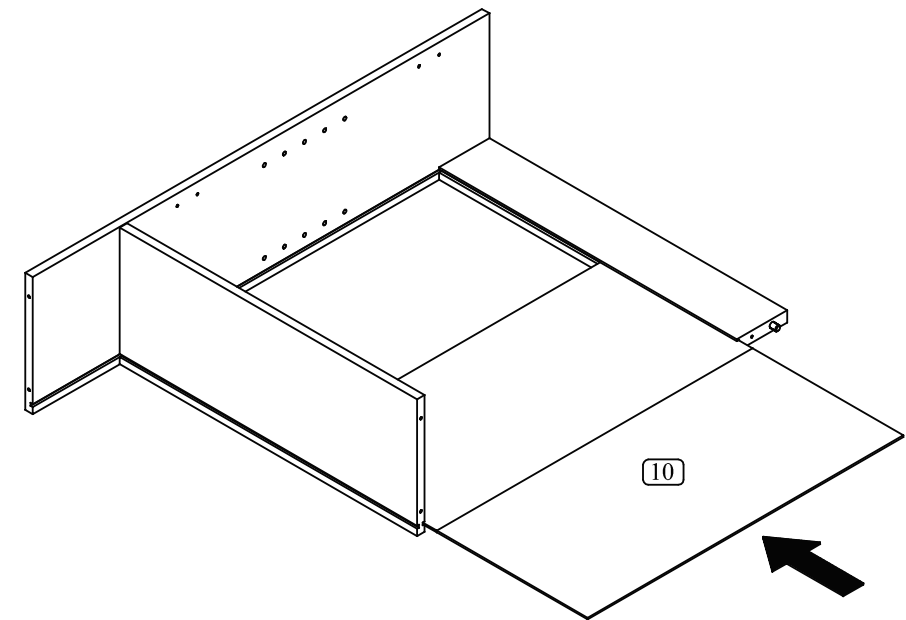


A	17 x	B	16 x	C	4 x	D	2 x	E	2 x	F	2 x	G	2 x
ø8x35 mm		ø6x13mm (FH)		83x3x20 mm		ø6x16mm (RH)		ø6x1.1/4mm (FH)		148x18x3 mm		ø6x31 mm	
H	4 x	I	2 x	J	2 x	K	6 x	L	6 x	M	4 x	N	11 x
ø8x2 mm		ø8x25 mm		ø15x10x26mm		ø6x16mm (FH)		14x13x10 mm		ø4.8x20.5 mm		ø14 mm	

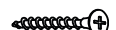
1

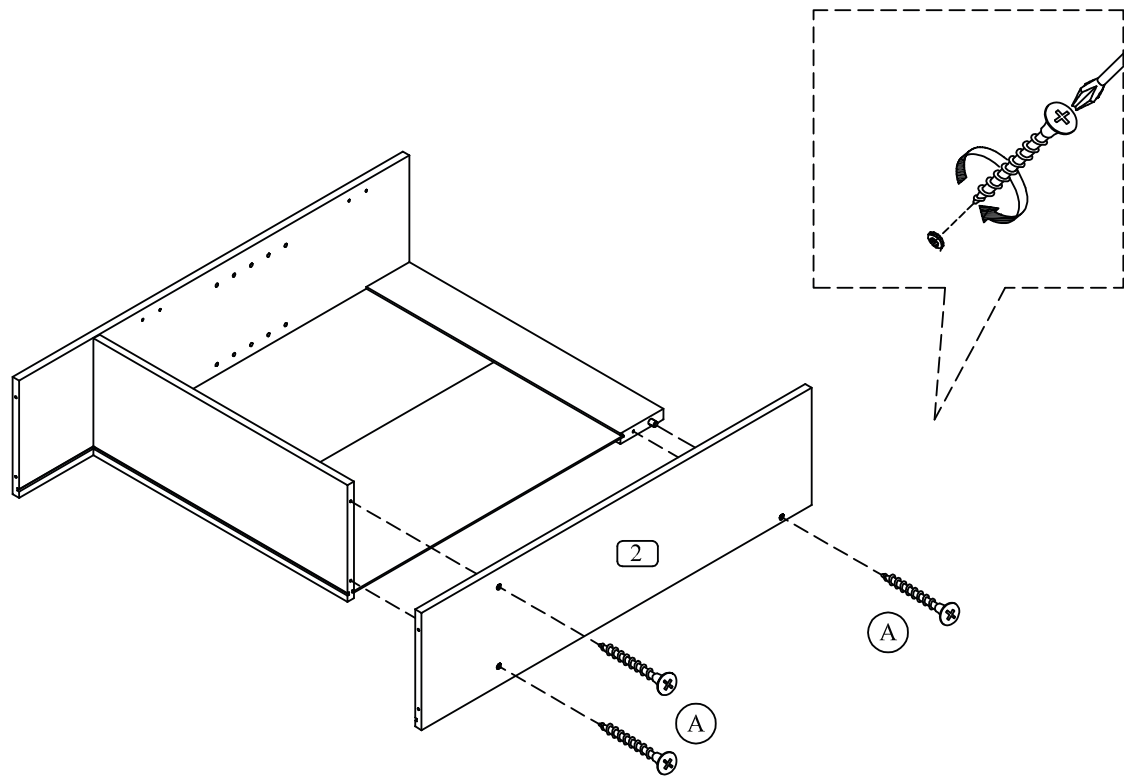


2

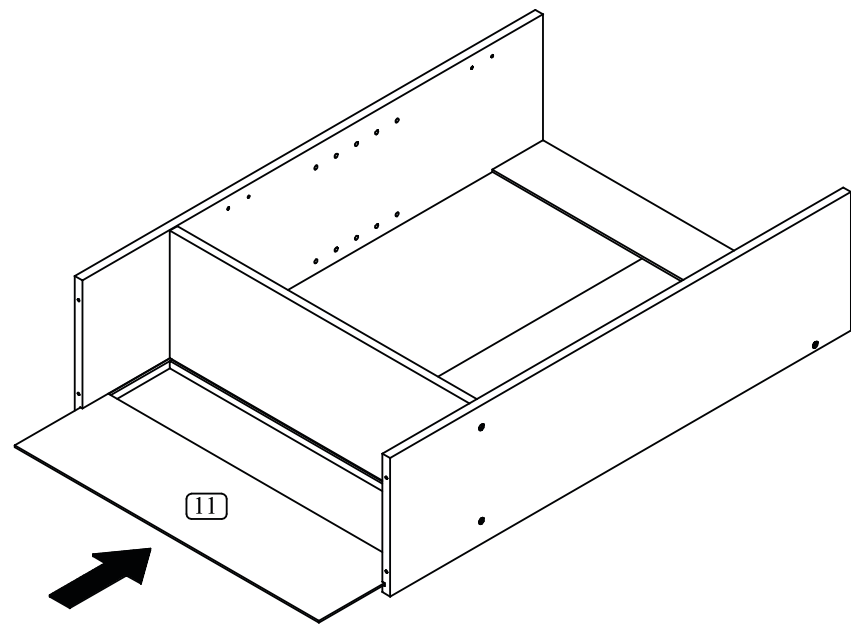


3



A = 3 x

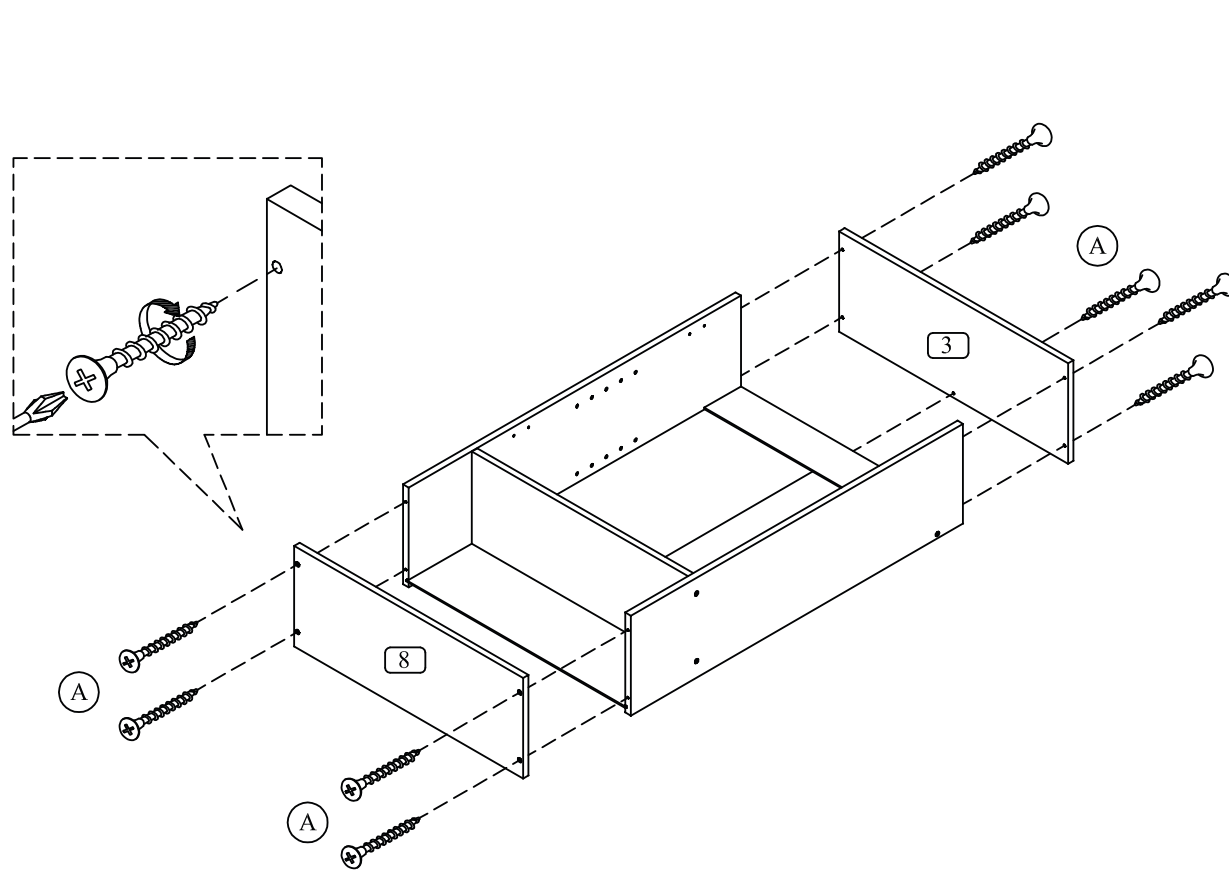


4




5

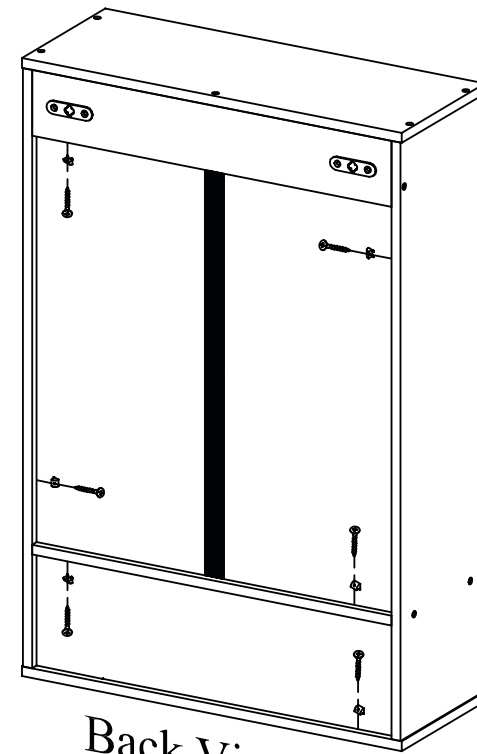
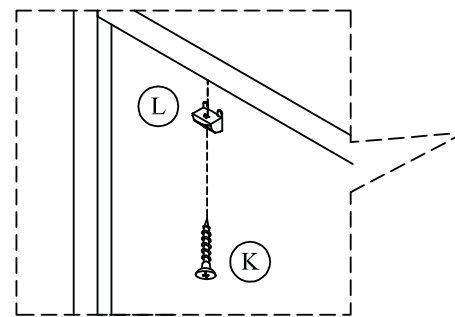

A = 9 x



6


K = 6 x


L = 6 x

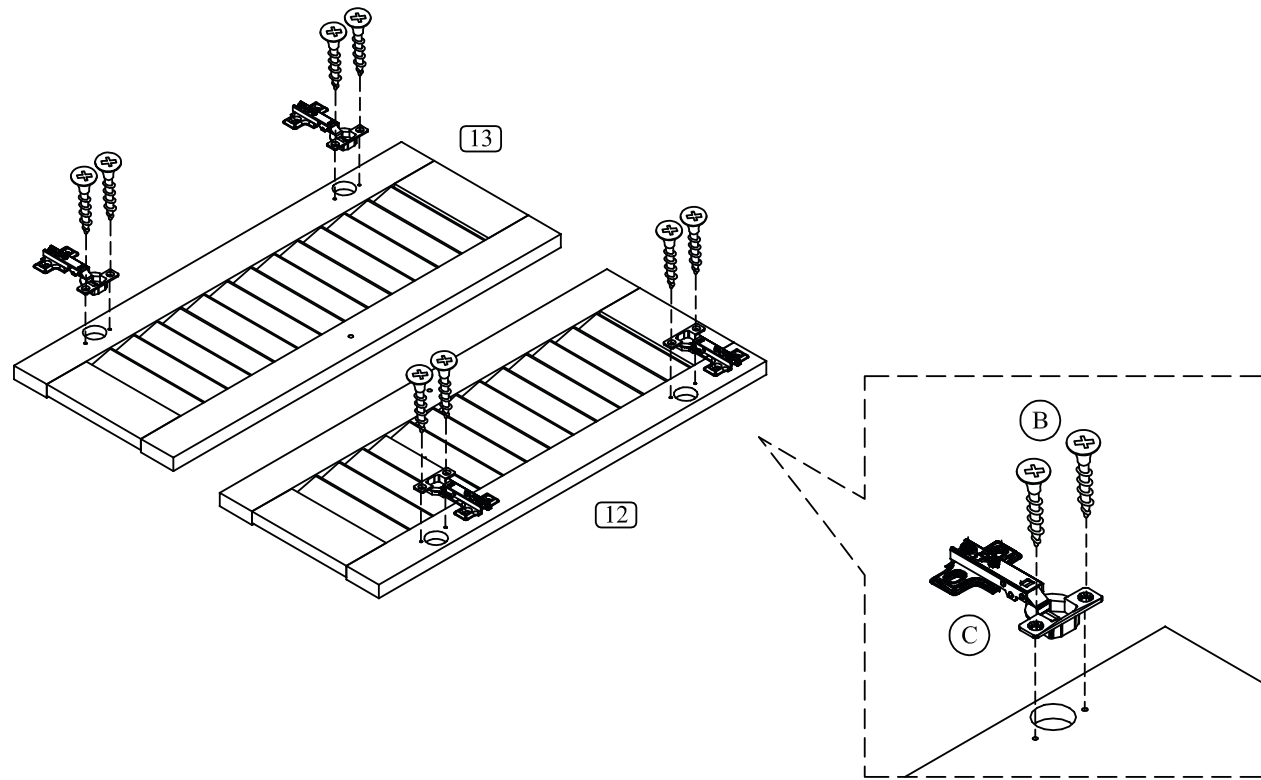


Back View

7

B = 8 x

C = 4 x



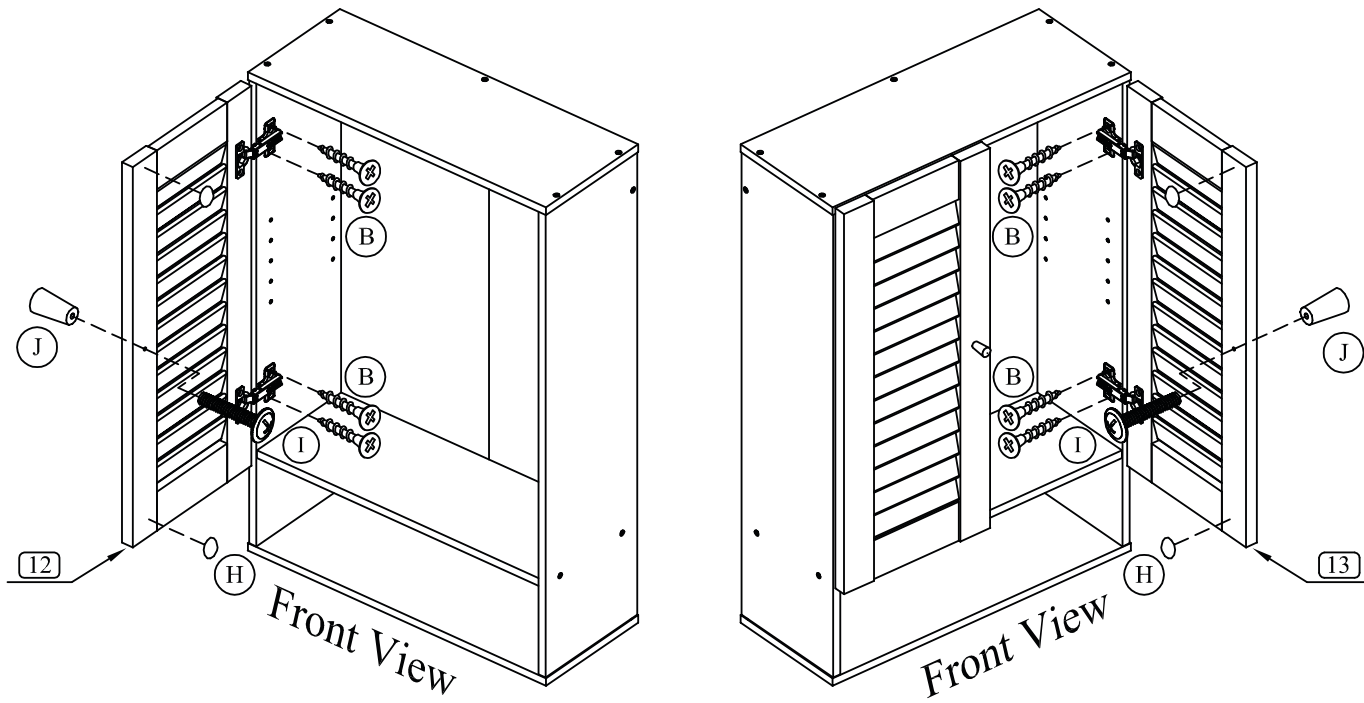
8

B = 8 x

H = 4 x

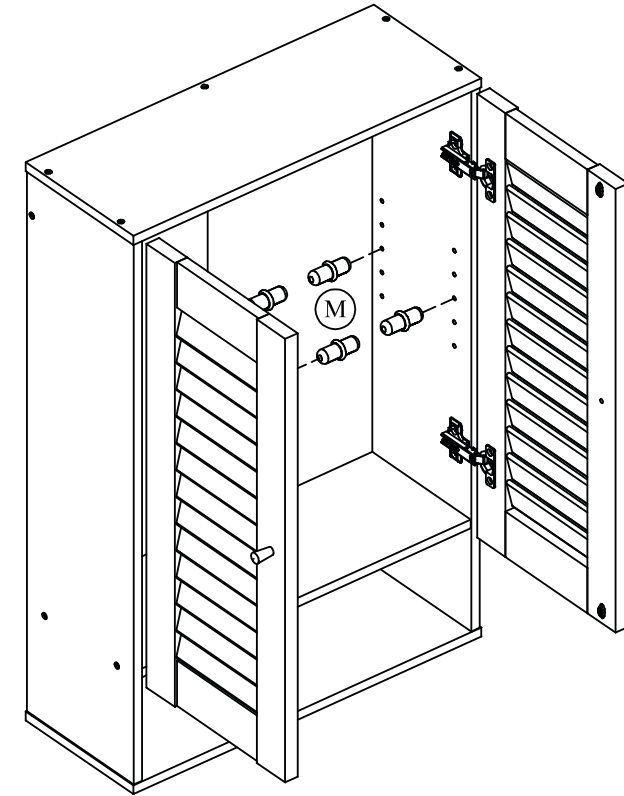
I = 2 x

J = 2 x

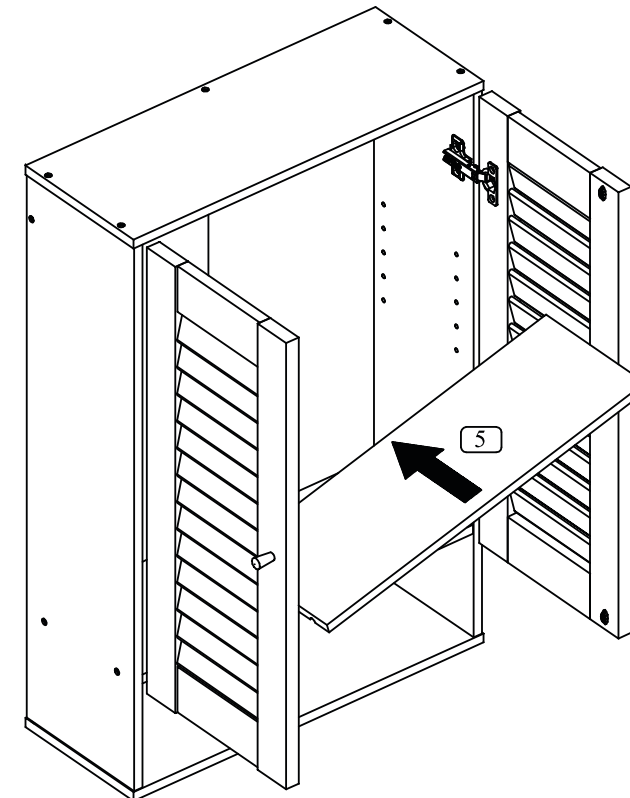


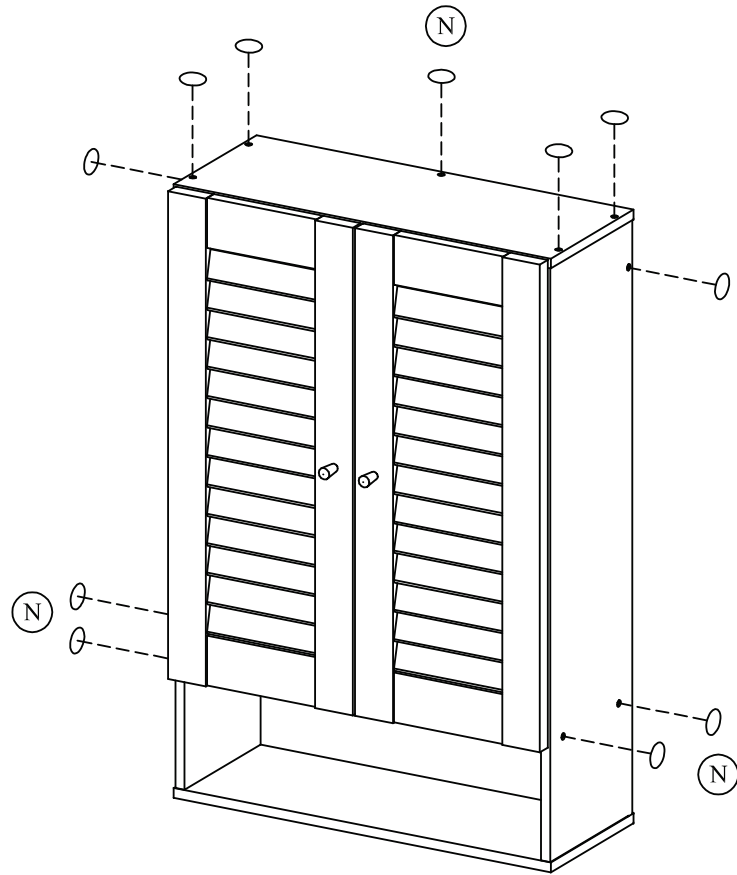
9

M = 4 x



10

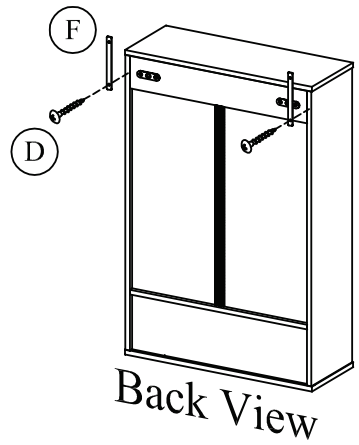




HANGING OPTIONS

OPTION A: STANDING

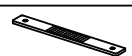
STEP A (1)



Back View

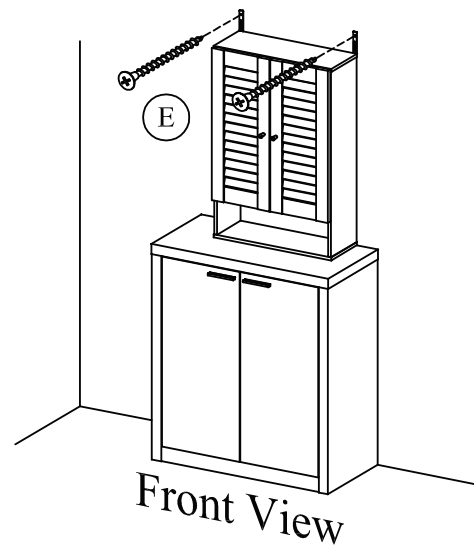


D = 2 x

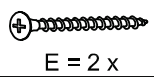


F = 2 x

STEP A (2)



Front View

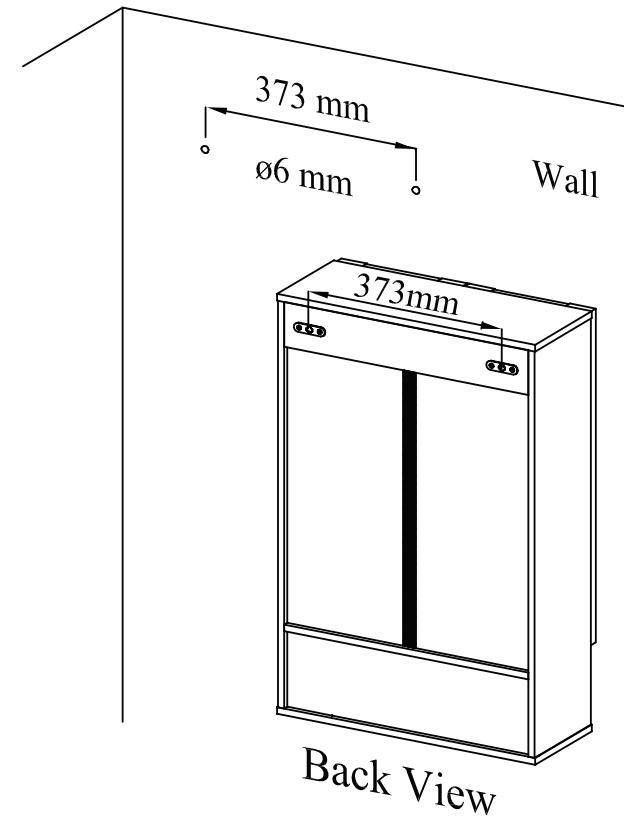


E = 2 x

IMPORTANT: Please fix Plastic Belt (F) to the wall, as shown.

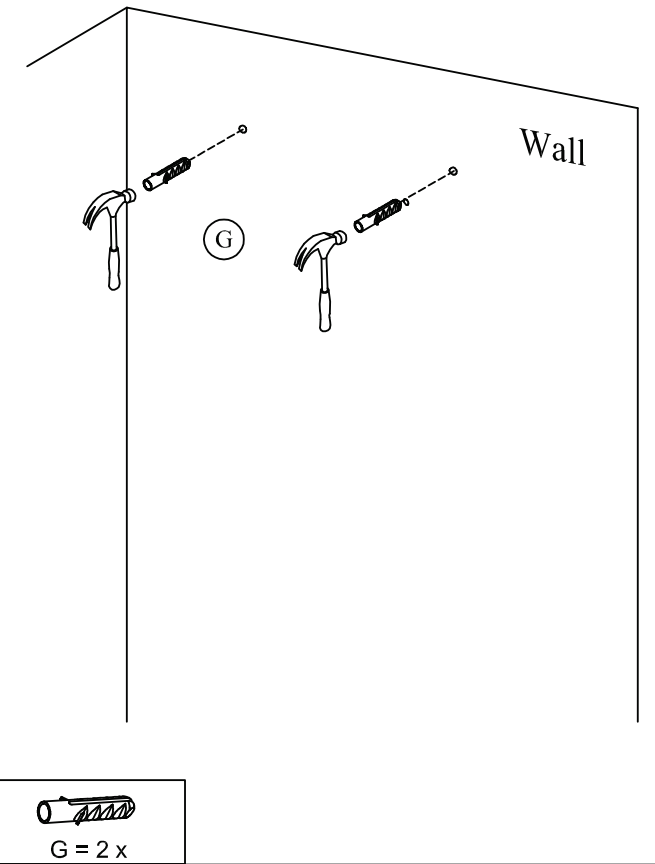
OPTION B: FLOATING

STEP B (1)



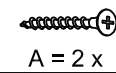
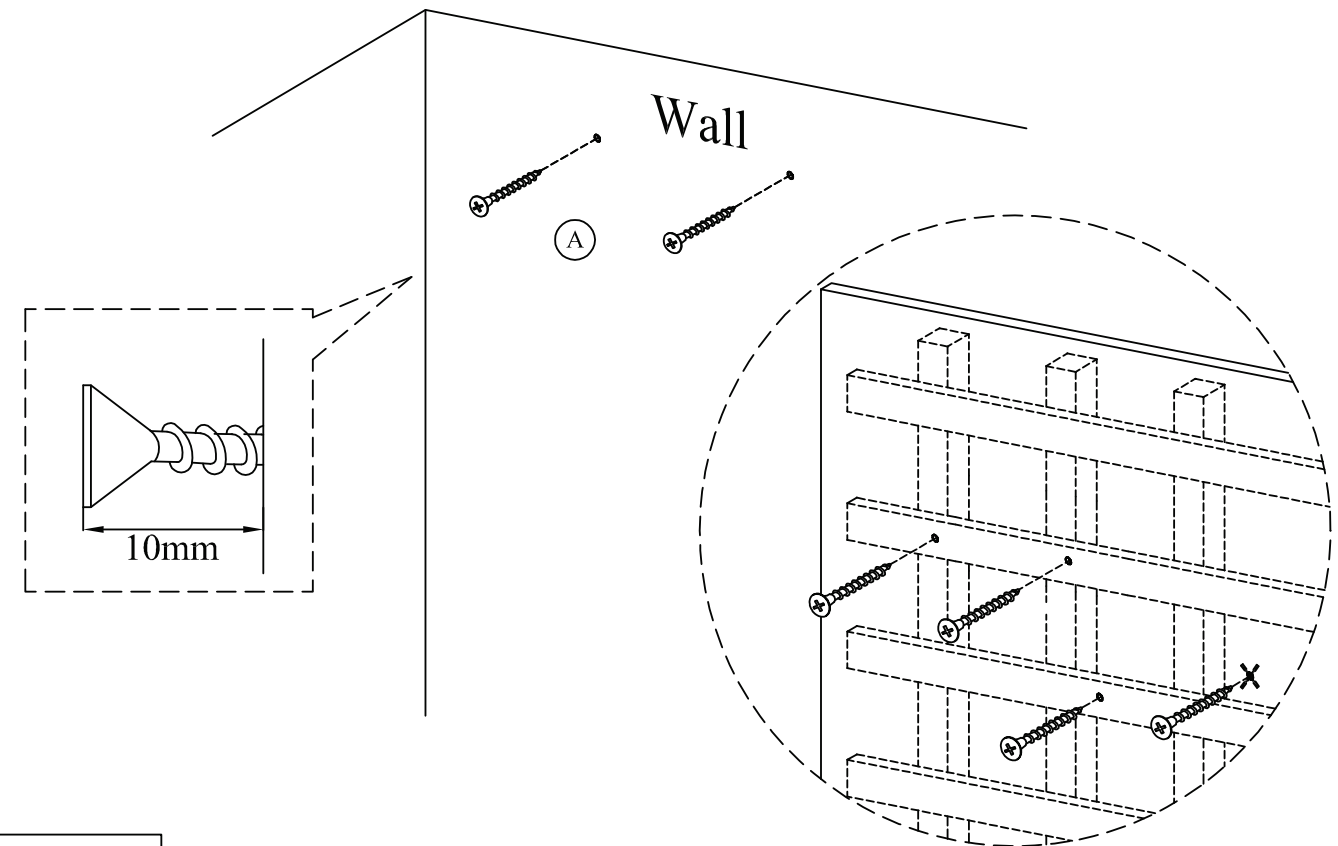
Back View

STEP B (2)



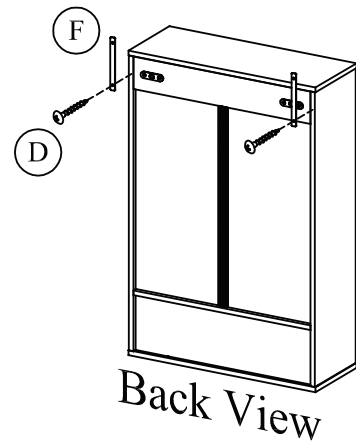
G = 2 x

STEP B (3)



A = 2 x

STEP B (4)

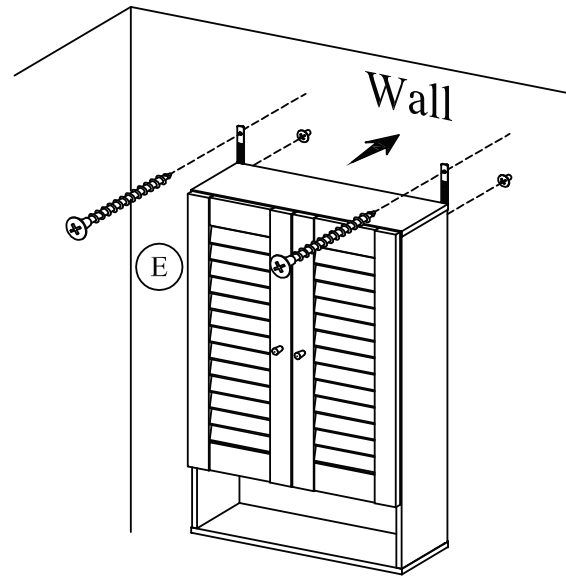


D = 2 x

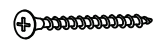


F = 2 x

STEP B (5)



IMPORTANT:
Please fix Plastic Belt (F)
to the wall, as shown.



E = 2 x

STEP B (6)

