



REGISTER YOUR TOOLS
<http://register.ryobitools.com>
 1-800-525-2579

OPERATOR'S MANUAL
MANUEL D'UTILISATION
MANUAL DEL OPERADOR

18 VOLT PALM ROUTER
TOUPE DE TYPE PAUME DE 18 V
FRESADORA DE MANO DE 18 V

P601

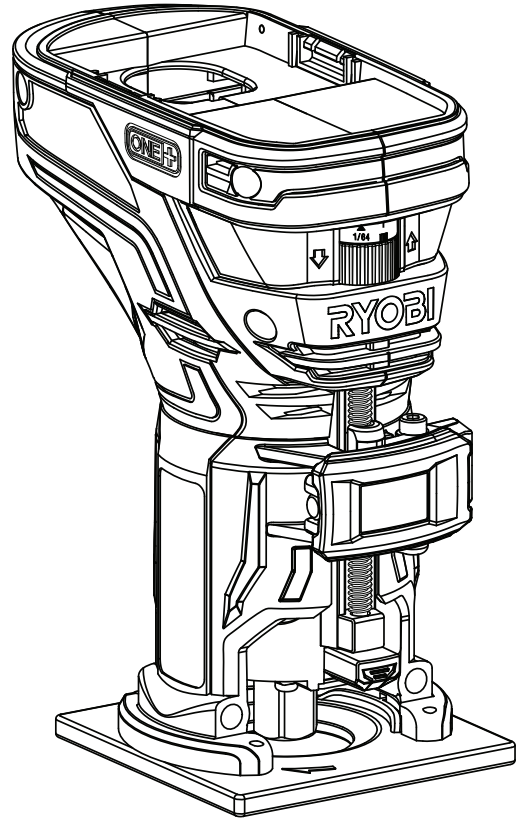


TABLE OF CONTENTS

- General Power Tool Safety Warnings.....2-3
- Palm Router Safety Warnings.....3
- Symbols 4
- Features 5
- Assembly 5
- Operation5-8
- Maintenance 9
- Accessories..... 9
- Illustrations..... 10-11
- Parts Ordering and ServiceBack page

TABLE DES MATIÈRES

- Avertissements de sécurité générales relatives aux outils électriques.....2-3
- Avertissements de sécurité relatifs toupe de type paume.....3
- Symboles 4
- Caractéristiques 5
- Assemblage 5
- Utilisation5-9
- Entretien..... 9
- Accessoires..... 9
- Illustrations..... 10-11
- Commande de pièces et dépannage Page arrière

ÍNDICE DE CONTENIDO

- Advertencias de seguridad generales para la herramientas eléctrica 2-3
- Advertencias de seguridad de fresadora de mano3
- Símbolos..... 4
- Características..... 5
- Armado 5
- Funcionamiento..... 5-9
- Mantenimiento..... 9
- Accesorios..... 9
- Ilustraciones..... 10-11
- Pedidos de piezas y servicio..... Pág. posterior

⚠ WARNING: To reduce the risk of injury, the user must read and understand the operator's manual before using this product.

⚠ AVERTISSEMENT : Pour réduire les risques de blessures, l'utilisateur doit lire et veiller à bien comprendre le manuel d'utilisation avant d'employer ce produit.

⚠ ADVERTENCIA: Para reducir el riesgo de lesiones, el usuario debe leer y comprender el manual del operador antes de usar este producto.

SAVE THIS MANUAL FOR FUTURE REFERENCE

CONSERVER CE MANUEL POUR FUTURE RÉFÉRENCE

GUARDE ESTE MANUAL PARA FUTURAS CONSULTAS

GENERAL POWER TOOL SAFETY WARNINGS



WARNING

Read all safety warnings and all instructions. Failure to follow the warnings and instructions may result in electric shock, fire and/or serious injury.

Save all warnings and instructions for future reference. The term “power tool” in the warnings refers to your mains-operated (corded) power tool or battery-operated (cordless) power tool.

WORK AREA SAFETY

- **Keep work area clean and well lit.** Cluttered or dark areas invite accidents.
- **Do not operate power tools in explosive atmospheres, such as in the presence of flammable liquids, gases or dust.** Power tools create sparks which may ignite the dust or fumes.
- **Keep children and bystanders away while operating a power tool.** Distractions can cause you to lose control.

ELECTRICAL SAFETY

- **Power tool plugs must match the outlet. Never modify the plug in any way. Do not use any adapter plugs with earthed (grounded) power tools.** Unmodified plugs and matching outlets will reduce risk of electric shock.
- **Avoid body contact with earthed or grounded surfaces such as pipes, radiators, ranges and refrigerators.** There is an increased risk of electric shock if your body is earthed or grounded.
- **Do not expose power tools to rain or wet conditions.** Water entering a power tool will increase the risk of electric shock.
- **Do not abuse the cord. Never use the cord for carrying, pulling or unplugging the power tool. Keep cord away from heat, oil, sharp edges or moving parts.** Damaged or entangled cords increase the risk of electric shock.
- **When operating a power tool outdoors, use an extension cord suitable for outdoor use.** Use of a cord suitable for outdoor use reduces the risk of electric shock.
- **If operating a power tool in a damp location is unavoidable, use a ground fault circuit interrupter (GFCI) protected supply.** Use of a GFCI reduces the risk of electric shock.
- **Use this product only with batteries and chargers listed in tool/appliance/battery pack/charger correlation supplement 987000-432.**

PERSONAL SAFETY

- **Stay alert, watch what you are doing and use common sense when operating a power tool. Do not use a power tool while you are tired or under the influence of drugs, alcohol or medication.** A moment of inattention while operating power tools may result in serious personal injury.

- **Use personal protective equipment. Always wear eye protection.** Protective equipment such as dust mask, non-skid safety shoes, hard hat, or hearing protection used for appropriate conditions will reduce personal injuries.
- **Prevent unintentional starting. Ensure the switch is in the off-position before connecting to power source and/or battery pack, picking up or carrying the tool.** Carrying power tools with your finger on the switch or energising power tools that have the switch on invites accidents.
- **Remove any adjusting key or wrench before turning the power tool on.** A wrench or a key left attached to a rotating part of the power tool may result in personal injury.
- **Do not overreach. Keep proper footing and balance at all times.** This enables better control of the power tool in unexpected situations.
- **Dress properly. Do not wear loose clothing or jewellery. Keep your hair, clothing and gloves away from moving parts.** Loose clothes, jewellery or long hair can be caught in moving parts.
- **If devices are provided for the connection of dust extraction and collection facilities, ensure these are connected and properly used.** Use of dust collection can reduce dust-related hazards.
- **Do not wear loose clothing or jewelry. Contain long hair.** Loose clothes, jewelry, or long hair can be drawn into air vents.
- **Do not use on a ladder or unstable support.** Stable footing on a solid surface enables better control of the power tool in unexpected situations.

POWER TOOL USE AND CARE

- **Do not force the power tool. Use the correct power tool for your application.** The correct power tool will do the job better and safer at the rate for which it was designed.
- **Do not use the power tool if the switch does not turn it on and off.** Any power tool that cannot be controlled with the switch is dangerous and must be repaired.
- **Disconnect the plug from the power source and/or the battery pack from the power tool before making any adjustments, changing accessories, or storing power tools.** Such preventive safety measures reduce the risk of starting the power tool accidentally.
- **Store idle power tools out of the reach of children and do not allow persons unfamiliar with the power tool or these instructions to operate the power tool.** Power tools are dangerous in the hands of untrained users.
- **Maintain power tools. Check for misalignment or binding of moving parts, breakage of parts and any other condition that may affect the power tool's operation. If damaged, have the power tool repaired before use.** Many accidents are caused by poorly maintained power tools.

GENERAL POWER TOOL SAFETY WARNINGS

- **Keep cutting tools sharp and clean.** Properly maintained cutting tools with sharp cutting edges are less likely to bind and are easier to control.
- **Use the power tool, accessories and tool bits etc. in accordance with these instructions, taking into account the working conditions and the work to be performed.** Use of the power tool for operations different from those intended could result in a hazardous situation.

BATTERY TOOL USE AND CARE

- **Recharge only with the charger specified by the manufacturer.** A charger that is suitable for one type of battery pack may create a risk of fire when used with another battery pack.
- **Use power tools only with specifically designated battery packs.** Use of any other battery packs may create a risk of injury and fire.
- **When battery pack is not in use, keep it away from other metal objects, like paper clips, coins, keys, nails,**

screws or other small metal objects, that can make a connection from one terminal to another. Shorting the battery terminals together may cause burns or a fire.

- **Under abusive conditions, liquid may be ejected from the battery; avoid contact. If contact accidentally occurs, flush with water. If liquid contacts eyes, additionally seek medical help.** Liquid ejected from the battery may cause irritation or burns.

SERVICE

- **Have your power tool serviced by a qualified repair person using only identical replacement parts.** This will ensure that the safety of the power tool is maintained.
- **When servicing a power tool, use only identical replacement parts. Follow instructions in the Maintenance section of this manual.** Use of unauthorized parts or failure to follow Maintenance instructions may create a risk of shock or injury.




PALM ROUTER SAFETY WARNINGS

- **Use clamps or another practical way to secure and support the workpiece to a stable platform.** Holding the work by your hand or against the body leaves it unstable and may lead to loss of control.
- **Hold power tool by insulated gripping surfaces, when performing an operation where the cutting accessory may contact hidden wiring.** Cutting accessory contacting a “live” wire may make exposed metal parts of the power tool “live” and could give the operator an electric shock.
- **Know your power tool. Read operator’s manual carefully. Learn its applications and limitations, as well as the specific potential hazards related to this power tool.** Following this rule will reduce the risk of electric shock, fire, or serious injury.
- **Always wear eye protection with side shields marked to comply with ANSI Z87.1 when assembling parts, operating the tool, or performing maintenance.** Following this rule will reduce the risk of serious personal injury.
- **Protect your lungs. Wear a face or dust mask if the operation is dusty.** Following this rule will reduce the risk of serious personal injury.
- **Protect your hearing. Wear hearing protection during extended periods of operation.** Following this rule will reduce the risk of serious personal injury.
- **Battery tools do not have to be plugged into an electrical outlet; therefore, they are always in operating condition. Be aware of possible hazards when not using your battery tool or when changing accessories.** Following this rule will reduce the risk of electric shock, fire, or serious personal injury.






- **Do not place battery tools or their batteries near fire or heat.** This will reduce the risk of explosion and possibly injury.
- **Do not crush, drop or damage battery pack. Do not use a battery pack or charger that has been dropped or received a sharp blow.** A damaged battery is subject to explosion. Properly dispose of a dropped or damaged battery immediately.
- **Batteries can explode in the presence of a source of ignition, such as a pilot light.** To reduce the risk of serious personal injury, never use any cordless product in the presence of open flame. An exploded battery can propel debris and chemicals. If exposed, flush with water immediately.
- **Do not charge battery tool in a damp or wet location. Do not use, store, or charge battery packs or products in locations where the temperature is less than 50°F or more than 100°F.** Do not store outside or in vehicles.
- **Under extreme usage or temperature conditions, battery leakage may occur. If liquid comes in contact with your skin, wash immediately with soap and water. If liquid gets into your eyes, flush them with clean water for at least 10 minutes, then seek immediate medical attention.** Following this rule will reduce the risk of serious personal injury.
- **Save these instructions.** Refer to them frequently and use them to instruct others who may use this tool. If you loan someone this tool, loan them these instructions also.

SYMBOLS

The following signal words and meanings are intended to explain the levels of risk associated with this product.

SYMBOL	SIGNAL	MEANING
	DANGER:	Indicates a hazardous situation, which, if not avoided, will result in death or serious injury.
	WARNING:	Indicates a hazardous situation, which, if not avoided, could result in death or serious injury.
	CAUTION:	Indicates a hazardous situation, that, if not avoided, may result in minor or moderate injury.
	NOTICE:	(Without Safety Alert Symbol) Indicates information considered important, but not related to a potential injury (e.g. messages relating to property damage).

Some of the following symbols may be used on this product. Please study them and learn their meaning. Proper interpretation of these symbols will allow you to operate the product better and safer.

SYMBOL	NAME	DESIGNATION/EXPLANATION
	Safety Alert	Indicates a potential personal injury hazard.
	Read Operator's Manual	To reduce the risk of injury, user must read and understand operator's manual before using this product.
	Eye Protection	Always wear eye protection with side shields marked to comply with ANSI Z87.1.
	Wet Conditions Alert	Do not expose to rain or use in damp locations.
	Recycle Symbol	This product uses lithium-ion (Li-ion) batteries. Local, state or federal laws may prohibit disposal of batteries in ordinary trash. Consult your local waste authority for information regarding available recycling and/or disposal options.
V	Volts	Voltage
min	Minutes	Time
==	Direct Current	Type or a characteristic of current
n ₀	No Load Speed	Rotational speed, at no load
.../min	Per Minute	Revolutions, strokes, surface speed, orbits etc., per minute

FEATURES

PRODUCT SPECIFICATIONS

Switch..... Single Speed Collet Size 1/4 in.
No Load Speed29,000 RPM

ASSEMBLY

WARNING:

Do not use this product if it is not completely assembled or if any parts appear to be missing or damaged. Use of a product that is not properly and completely assembled or with damaged or missing parts could result in serious personal injury.

WARNING:

Do not attempt to modify this product or create accessories or attachments not recommended for use with this product. Any such alteration or modification is misuse and could result in a hazardous condition leading to possible serious personal injury.

If any parts are damaged or missing, please call 1-800-525-2579 for assistance.

OPERATION

WARNING:

Do not allow familiarity with this product to make you careless. Remember that a careless fraction of a second is sufficient to inflict serious injury.

WARNING:

Always remove battery pack from the tool when you are assembling parts, making adjustments, cleaning, or when not in use. Removing battery pack will prevent accidental starting that could cause serious personal injury.

WARNING:

Always wear eye protection with side shields marked to comply with ANSI Z87.1, along with hearing protection. Failure to do so could result in objects being thrown into your eyes and other possible serious injuries.

WARNING:

Do not use any attachments or accessories not recommended by the manufacturer of this tool. The use of attachments or accessories not recommended can result in serious personal injury.

APPLICATIONS

You may use this tool for the following purposes:

- Smooth, professional trimming of laminates, wood and wood veneer

INSTALLING/REMOVING BATTERY PACK

See Figure 1, page 10.

- Set the switch in the **OFF** position.
- Insert the battery pack into the product as shown.
- Make sure the latches on each side of the battery pack snap in place and that battery pack is secured in the product before beginning operation.
- Depress the latches to remove the battery pack.

For complete charging instructions, see the operator's manuals for your battery pack and charger.

WARNING:

Battery tools are always in operating condition. Turn the switch **OFF** when not in use or carrying at your side, when installing or removing the battery pack, and when installing or removing bits. Failure to turn off the switch could result in unexpected starting and serious personal injury.

STARTING/STOPPING THE ROUTER

See Figure 2, page 10.

To turn the router **ON**, slide the switch on front of the router to the **ON** position.

Return the switch to the **OFF** position when finished.

OPERATION

REMOVING THE BASE

See Figure 3, page 10.

- Remove the battery pack.
- Place the router upside down on a workbench.
- Pull the quick release lever to the open position.
- Depress the motor release lever completely, pull the motor housing up until it stops at the spindle lock button.
- While holding the motor release lever down with one hand, depress the spindle lock button with the other. Slide the base upward until the motor release lever clears the spindle lock button and remove the base.

To connect the motor housing to the base:

- Depress the motor release lever completely with one hand, depress the spindle lock button with the other.
- Align the motor housing with the base and push the motor housing onto the base until it clears the spindle lock button.
- Release the motor release lever and close the quick release lever.

INSTALLING/REMOVING TRIMMING BITS

See Figure 4, page 10.

WARNING:

Never install a bit larger than the opening of the laminate sub-base. The use of larger bits can result in loss of control and possible serious personal injury.

WARNING:

Do not use straight bits larger than 1/4 in. or edging bits which cut a pattern larger than 3/8 in. with this router. Use of larger bits can result in loss of control and serious personal injury.

WARNING:

If you are changing a bit immediately after use, be careful not to touch the collet nut, bit, or collet with your hands or fingers. They will get burned because of the heat buildup from cutting. Always use the wrench provided.

- Turn the switch to **OFF** and remove the battery pack.
- Place the router upside down on a workbench.
- Pull the quick release lever to the open position.
- Depress the motor release lever and move the base to provide clear access to the collet nut. It is not necessary to remove the base.
- Depress the spindle lock button and rotate spindle until the spindle locks.

- Use the wrench provided to turn the collet nut in a counterclockwise direction. Continue to depress the spindle lock button while loosening the collet nut.
- With the router still upside down on a workbench, insert the shank of the bit into the collet. The shank of the bit should be close to but not touching the bottom of the collet. This allows for expansion when the bit gets hot. A clearance of 1/16 in. is adequate.

NOTE: The collet is machined to precision tolerances to fit bits with 1/4 in. diameter shanks.

- Hand-tighten the collet nut. Then, depress the spindle lock button and continue tightening the collet nut with the wrench provided by turning it in a clockwise direction.

WARNING:

If the collet nut is not tightened securely, the bit may come out during use, causing serious personal injury.

- Depress the motor release lever and return the base back to an operating position.
- Push the quick release lever to the closed position.
- Replace the battery pack.

SETTING DEPTH OF CUT

See Figure 5, page 11.

- Turn the switch **OFF** and remove the battery pack from the router.
- Pull the quick release lever to the open position.
- Using the micro depth adjustment knob, adjust the position of the router to obtain the desired depth of cut. To move the motor housing down, turn the micro depth adjustment knob toward the “down” arrow to the side of the knob.

NOTE: To set the cutting depth to zero, hold the router in place and turn the micro depth adjustment knob until it reads “0”.

- The cutter depth can be read on the depth scale on the motor housing. Each mark on the scale indicates a 1/16 in. change in depth setting. Use the top edge of the removable base as reference when setting depth of cut.
- Push the quick release lever to the closed position.

WARNING:

Avoid open area of router base. Serious personal injury will result from contact with a rotating bit.

NOTE: To make deeper cuts, it is necessary to make as many successive passes as required, lowering the bit 1/8 in. for each new pass. To save time, perform all the cutting necessary at one depth setting, then lower the bit for the next pass. This will assure uniform depth when the final pass is completed.

OPERATION

OPERATING THE ROUTER

See Figure 6, page 11.

WARNING:

Avoid hand positions that may expose fingers to the bit through open areas of the router base. Fingers entering the opening in the router base can be seriously cut or burned.

WARNING:

Always use the laminate sub-base for trimming. Use of the router without a sub-base or using the incorrect sub-base can result in loss of control and possible serious personal injury.

NOTICE:

To avoid damaging the motor from overheating, do not let your hand cover the air vents.

Before installing the battery pack and starting the router, make sure the bit is securely tightened in the collet and that the depth of cut is properly set. Never start the router while the bit is in contact with the workpiece.

After completing a cut, pull the bit slightly away from the cut surface. Turn the router off and wait for the rotating bit to completely stop before completely removing the tool from the work surface.

When cutting, locate the base of the router over the work surface and firmly hold the body of the router with your hand. Make sure the router is running at full speed before contacting the workpiece.

DIRECTION OF FEED AND THRUST

See Figures 7 - 8, page 11.

The router motor and bit revolve in a clockwise direction. This gives the tool a slight tendency to twist in your hands in a counterclockwise direction, especially when the motor starts.

Feed the router into the workpiece from left to right. When fed from left to right, the rotation of the bit pulls the router against the workpiece. If fed in the opposite direction, the rotation forces of the spinning bit will tend to throw the router away from the workpiece, causing kickback. This could result in loss of control of the router.

Because of the extremely high speed of bit rotation during a proper feeding operation, there is very little kickback to contend with under normal conditions. However, should the bit strike a knot, hard grain, foreign object, etc. that would affect the normal progress of the cutting action, there will be a slight kickback. Kickback could be sufficient to spoil the

trueness of your cut if you are not prepared. Such a kickback is always in the direction opposite the direction of bit rotation. To guard against kickback, plan your set-up and direction of feed so that you will always be thrusting the tool—to hold it against whatever you are using to guide the cut—in the same direction that the leading edge of the bit is moving. The thrust should be in a direction that keeps the sharp edges of the bit continuously biting straight into new (uncut) wood.

PROPER RATE OF FEED

Trimming and edge shaping depend upon careful set-up and selecting the proper feed rate.

The proper feed rate is dependent upon:

- **The hardness and moisture content of the workpiece.**
- **The depth of cut.** It is necessary that you do not exceed 1/8 in. depth of cut for proper rate of feed.
- **The cutting diameter of the bit.** Maximum bit size for roundover and edging operations is 3/8 in. max. Maximum straight bit size for rabbeting and dado operations is 1/4 in.

For edge shaping in soft woods such as pine, a faster rate of feed can be used. When edge shaping in hardwoods such as oak, a slower rate of feed will be required. In all wood types, a slower rate of feed is required when cutting shallow grooves.

Several factors will help you select the proper rate of feed.

- Choose a rate that does not slow down the router motor.
- Choose the rate of feed at which the bit advances firmly and surely to produce a continuous spiral of uniform chips or a smooth trim edge on laminate.
- Listen to the sound of the router motor. A high-pitched, strained sound means you are feeding too fast.
- Check the progress of each cut. Too-slow feeding can cause the router to take off in a wrong direction from the intended line of cut. Force-feeding increases the strain of holding the tool and can result in damage to the tool.
- Notice the chips being produced as you cut. If the router is fed too slowly, it will scorch or burn the wood. If the router is fed too fast, it will take large chips out of the wood and leave gouge marks.

Always test a cut on scrap piece of the workpiece wood or laminate before you begin. Always grasp and hold the router firmly when trimming.

When using the largest recommended straight bit (1/4 in.) in any type of wood, maintain a maximum cutting depth of 1/8 in. and a very slow feed rate to achieve the best quality cut. A cross-grain cut requires a slower pace than an identical cut with the grain in the same workpiece.

There is no fixed rule. Proper feed rate is learned through practice and use.

OPERATION

FORCE FEEDING

See Figure 9, page 12.

The router is an extremely high-speed tool (29,000 RPM), and will make clean, smooth cuts if allowed to run freely without the overload of a forced feed. Three things that cause force feeding are bit size, depth of cut, and workpiece characteristics. The larger the bit or the deeper the cut, the more slowly the router should be moved forward. If the wood is very hard, knotty, gummy or damp, the operation must be slowed still more.

Clean smooth trimming and edge shaping can be done only when the bit is revolving at a relatively high speed and is taking very small bites to produce tiny, cleanly-severed chips. If the router is forced to move forward too fast, the speed of the bit becomes slower than normal in relation to its forward movement. As a result, the bit must take bigger bites as it revolves. Bigger bites mean bigger chips and a rougher finish. Bigger chips also require more power, which could result in overheating of the motor and lower battery life.

Under extreme force-feeding conditions, the relative speed of the bit can become so slow – and the bites it has to take so large – that chips will be partially knocked off rather than fully cut off. This will result in splintering and gouging of the workpiece and will likely damage the tool.

FEEDING TOO SLOWLY

See Figure 9, page 12.

When the router is advanced into the work too slowly it scrapes away sawdust-like particles instead of cleanly cutting into the workpiece. Scraping produces heat, which can glaze, burn, or mar the cut, and can overheat the bit. Dull bits can also contribute to scraping and burning.

It is more difficult to control a router when the bit is scraping instead of cutting. With practically no load on the motor, the bit will be revolving near top RPM. When feeding too slowly, the bit will have a greater than normal tendency to bounce off the sides of the cut, especially if the wood has a pronounced grain with hard and soft areas. The cut that results may have rippled sides instead of straight.

DEPTH OF CUT

See Figure 10, page 12.

WARNING:

If the desired depth of cut is greater than can be safely cut in one pass, make cuts in two or more passes. Do not remove more than 1/8 in. in a single pass. Excessive depth of cut can result in loss of control and the possibility of serious personal injury.

Depth of cut affects the rate of feed and the quality of a cut. Using the proper depth of cut can lessen the possibility of damage to the router motor and bit.

A deeper cut requires a slower feed than a shallow one. Making a cut that is too deep will slow the feed so that the bit is scraping, rather than cutting, and is not recommended.

A too-deep cut can cause smaller bits to be broken off. Bits that are 1/16 in. in diameter are easily broken off when subjected to too much side thrust. A larger bit is not as likely to break, but attempting a cut that is too deep may result in a rough cut, and may make it difficult to guide and control the bit as desired.

It is necessary that you do not exceed 1/8 in. depth of cut in a single pass, regardless of the bit size or the softness or condition of the workpiece. This will result in a higher quality cut.

To make deeper cuts, it is necessary to make as many successive passes as required, lowering the bit 1/8 in for each new pass. To save time, perform all the cutting necessary at one depth setting, then lower the bit for the next pass. This will assure uniform depth when the final pass is completed.

ATTACHING THE ROUND SUBBASE (NOT INCLUDED)

See Figure 11, page 12.

- Remove the battery pack.
- Turn the router upside down to remove the four subbase screws and the square subbase.
- Attach the round subbase using the same screws.
- Tighten the screws securely. Do not over tighten.

WARNING:

Always use the base for laminate trimming. Use of the router without a base or using the incorrect base can result in serious personal injury.

USING EDGE GUIDE (NOT INCLUDED)

See Figures 12 - 13, page 12.

Use the edge guide to trim or cut a straight or curved edge.

- Remove the battery pack.
- Thread guide bars into the base and tighten with a flat head screwdriver.
- Slide the edge guide onto the guide bars.
- Install thumb screws provided into the edge guide.
- Measure the proper distance to offset the bit, or if trimming, position the bit at the edge of the workpiece.
- Tighten the two thumb screws to secure the edge guide.
- Reinstall the battery pack.
- Move the router along the workpiece keeping the edge guide in constant contact with edge of the workpiece.

MAINTENANCE

⚠ WARNING:

When servicing, use only identical replacement parts. Use of any other parts could create a hazard or cause product damage.

GENERAL MAINTENANCE

Avoid using solvents when cleaning plastic parts. Most plastics are susceptible to damage from various types of commercial solvents and may be damaged by their use. Use clean cloths to remove dirt, dust, oil, grease, etc.

ACCESSORIES

Look for these accessories at the service center:

- Round Sub-base519233001
- Edge Guide640795001

⚠ WARNING:

Current attachments and accessories available for use with this tool are listed above. Do not use any attachments or accessories not recommended by the manufacturer of this tool. The use of attachments or accessories not recommended can result in serious personal injury.

NOTE: ILLUSTRATIONS START ON PAGE 10 AFTER FRENCH AND SPANISH LANGUAGE SECTIONS.

AVERTISSEMENTS DE SÉCURITÉ GÉNÉRALES RELATIVES AUX OUTILS ÉLECTRIQUES



AVERTISSEMENT

Lire tous les avertissements et toutes les instructions. Ne pas suivre l'ensemble des avertissements et des instructions peut entraîner une électrocution, un incendie ou des blessures graves.

Conserver les avertissements et les instructions à des fins de référence ultérieure. Le terme « outil motorisé », utilisé dans tous les avertissements ci-dessous désigne tout outil fonctionnant sur secteur (câblé) ou sur piles (sans fil).

SÉCURITÉ DU LIEU DE TRAVAIL

- **Garder le lieu de travail propre et bien éclairé.** Les endroits encombrés ou sombres sont propices aux accidents.
- **Ne pas utiliser d'outils électriques dans des atmosphères explosives, par exemple en présence de liquides, gaz ou poussières inflammables.** Les outils électriques produisent des étincelles risquant d'enflammer les poussières ou vapeurs.
- **Garder les enfants et badauds à l'écart pendant l'utilisation d'un outil électrique.** Les distractions peuvent causer une perte de contrôle.

SÉCURITÉ ÉLECTRIQUE

- **Les fiches des outils électriques doivent correspondre à la prise secteur utilisée. Ne jamais modifier la fiche, de quelque façon que ce soit. Ne jamais utiliser d'adaptateurs de fiche avec des outils mis à la terre.** Les fiches et prises non modifiées réduisent le risque de choc électrique.
- **Éviter tout contact du corps avec des surfaces mises à la terre, telles que tuyaux, radiateurs, cuisinières et réfrigérateurs.** Le risque de choc électrique est accru lorsque le corps est mis à la terre.
- **Ne pas exposer les outils électriques à l'eau ou l'humidité.** La pénétration d'eau dans ces outils accroît le risque de choc électrique.
- **Ne pas maltraiter le cordon d'alimentation. Ne jamais utiliser le cordon d'alimentation pour transporter l'outil et ne jamais débrancher ce dernier en tirant sur le cordon. Garder le cordon à l'écart de la chaleur, de l'huile, des objets tranchants et des pièces en mouvement.** Un cordon endommagé ou emmêlé accroît le risque de choc électrique.
- **Pour les travaux à l'extérieur, utiliser un cordon spécialement conçu à cet effet.** Utiliser un cordon conçu pour l'usage extérieur pour réduire les risques de choc électrique.
- **S'il est nécessaire d'utiliser l'outil électrique dans un endroit humide, employer un dispositif interrupteur de défaut à la terre (GFCI).** L'utilisation d'un GFCI réduit le risque de décharge électrique.
- **Utiliser ce produit seulement avec les piles et les chargeurs indiqués dans le supplément de raccordement pour chargeur/outils/piles/appareil n° 987000-432.**

SÉCURITÉ PERSONNELLE

- **Rester attentif, prêter attention au travail et faire preuve de bon sens lors de l'utilisation de tout outil électrique. Ne pas utiliser cet outil en état de fatigue ou sous l'influence de l'alcool, de drogues ou de médicaments.** Un moment d'inattention pendant l'utilisation d'un outil électrique peut entraîner des blessures graves.

- **Utiliser l'équipement de sécurité. Toujours porter une protection oculaire.** L'équipement de sécurité, tel qu'un masque filtrant, de chaussures de sécurité, d'un casque ou d'une protection auditive, utilisé dans des conditions appropriées réduira le risque de blessures.
- **Éviter les démarrages accidentels. S'assurer que le commutateur est en position d'arrêt avant de brancher l'outil.** Porter un outil avec le doigt sur son commutateur ou brancher un outil dont le commutateur est en position de marche peut causer un accident.
- **Retirer les clés de réglage avant de mettre l'outil en marche.** Une clé laissée sur une pièce rotative de l'outil peut causer des blessures.
- **Ne pas travailler hors de portée. Toujours se tenir bien campé et en équilibre.** Ceci permettra de mieux contrôler l'outil en cas de situation imprévue.
- **Porter une tenue appropriée. Ne porter ni vêtements amples, ni bijoux. Garder les cheveux, les vêtements et les gants à l'écart des pièces en mouvement.** Les vêtements amples, bijoux et cheveux longs peuvent se prendre dans les pièces en mouvement.
- **Si les outils sont équipés de dispositifs de dépoussiérage, s'assurer qu'ils sont connectés et correctement utilisés.** L'usage de ces dispositifs de dépoussiérage peut réduire les dangers présentés par la poussière.
- **Ne porter ni vêtements amples, ni bijoux. Attacher ou couvrir les cheveux longs.** Les vêtements amples, bijoux et cheveux longs peuvent se prendre dans les ouïes d'aération.
- **Ne pas utiliser l'outil sur une échelle ou un support instable.** Une bonne tenue et un bon équilibre permettent de mieux contrôler l'outil en cas de situation imprévue.

UTILISATION ET ENTRETIEN DES OUTILS ÉLECTRIQUES

- **Ne pas forcer l'outil. Utiliser l'outil approprié pour l'application.** Un outil approprié exécutera le travail mieux et de façon moins dangereuse s'il est utilisé dans les limites prévues.
- **Ne pas utiliser l'outil si le commutateur ne permet pas de le mettre en marche ou de l'arrêter.** Tout outil qui ne peut pas être contrôlé par son commutateur est dangereux et doit être réparé.
- **Débrancher l'outil et/ou retirer le bloc-piles avant d'effectuer des réglages, de changer d'accessoire ou de remiser l'outil.** Ces mesures de sécurité préventives réduisent les risques de démarrage accidentel de l'outil.
- **Ranger les outils motorisés hors de la portée des enfants et ne laisser personne n'étant pas familiarisé avec l'outil ou ces instructions utiliser l'outil.** Dans les mains de personnes n'ayant pas reçu des instructions adéquates, les outils sont dangereux.
- **Entretenir les outils motorisés. Vérifier qu'aucune pièce mobile n'est mal alignée ou bloquée, qu'aucune pièce n'est brisée et s'assurer qu'aucun autre problème ne risque d'affecter le bon fonctionnement de l'outil. En cas de dommages faire réparer l'outil avant de l'utiliser de nouveau.** Beaucoup d'accidents sont causés par des outils mal entretenus.
- **Garder les outils bien affûtés et propres.** Des outils correctement entretenus et dont les tranchants sont bien affûtés risquent moins de se bloquer et sont plus faciles à contrôler.

AVERTISSEMENTS DE SÉCURITÉ GÉNÉRALES RELATIVES AUX OUTILS ÉLECTRIQUES

- **Utiliser l'outil, les accessoires et embouts, etc. conformément à ces instructions pour les applications pour lesquelles ils sont conçus, en tenant compte des conditions et du type de travail à exécuter.** L'usage d'un outil motorisé pour des applications pour lesquelles il n'est pas conçu peut être dangereux.

UTILISATION ET ENTRETIEN DE LA PILE

- **Ne recharger qu'avec l'appareil spécifié par le fabricant.** Un chargeur approprié pour un type de pile peut créer un risque d'incendie s'il est utilisé avec un autre type de pile.
- **Utiliser exclusivement le bloc-pile spécifiquement indiqué pour l'outil.** L'usage de tout autre bloc peut créer un risque de blessures et d'incendie.
- **Lorsque le bloc-piles n'est pas en usage, le garder à l'écart d'articles tels qu'attaches trombones, pièces de monnaie, clous, vis ou autres petits objets métalliques risquant d'établir le contact entre les deux bornes.** La mise en court-circuit des

bornes de piles peut causer des étincelles, des brûlures ou un incendie.

- **En cas d'usage abusif, du liquide peut s'échapper des piles. Éviter tout contact avec ce liquide. En cas de contact accidentel, rincer immédiatement les parties atteintes avec de l'eau. En cas d'éclaboussure dans les yeux consulter un médecin.** Le liquide s'échappant des piles peut causer des irritations ou des brûlures.

DÉPANNAGE

- **Les réparations doivent être confiées à un technicien qualifié, utilisant exclusivement des pièces identiques à celles d'origine.** Ceci assurera le maintien de la sécurité de l'outil.
- **Utiliser exclusivement des pièces identiques à celles d'origine pour les réparations. Se conformer aux instructions de la section Entretien de ce manuel.** L'usage de pièces non autorisées ou le non-respect des instructions peut présenter des risques de choc électrique ou de blessures.




AVERTISSEMENTS DE SÉCURITÉ RELATIFS AU TOUPIE DE TYPE PAUME

- **Utiliser des serre-joints ou un autre moyen pratique de fixer et de soutenir une pièce à travailler sur une plate-forme stable.** Une pièce tenue à la main ou contre son corps est instable et peut causer une perte de contrôle.
- **Lorsque l'outil est utilisé pour un travail risquant de le mettre en contact avec des fils électriques cachés, le tenir par les surfaces de prise isolées.** Le contact d'un accessoire de coupe avec un fil sous tension « électrifie » les pièces métalliques exposées de l'outil et peut électrocuter l'utilisateur.
- **Apprendre à connaître l'outil. Lire attentivement le manuel d'utilisation. Apprendre les applications et les limites de l'outil, ainsi que les risques spécifiques relatifs à son utilisation.** Le respect de cette consigne réduira les risques d'incendie, de choc électrique et de blessures graves.
- **Toujours porter une protection oculaire munie d'écrans latéraux certifiée conforme à la norme ANSI Z87.1 lors du montage des pièces, du fonctionnement de l'outil ou au moment de l'entretien.** Le respect de cette règle réduira les risques de blessures graves.
- **Protection respiratoire. Porter un masque facial ou un masque antipoussière si le travail produit de la poussière.** Le respect de cette consigne réduira les risques de blessures graves.
- **Protection auditive. Porter une protection auditive lors de l'utilisation prolongée.** Le respect de cette règle réduira les risques de blessures graves.
- **Les outils fonctionnant sur piles n'ayant pas besoin d'être branchés sur une prise secteur, ils sont toujours en état de fonctionnement. Tenir compte des dangers possibles lorsque l'outil n'est pas en usage et lors du remplacement des piles.** Le respect de cette consigne réduira les risques d'incendie, de choc électrique et de blessures graves.






- **Ne pas placer les outils électriques sans fil ou leurs piles à proximité de flammes ou d'une source de chaleur.** Ceci réduira les risques d'explosion et de blessures.
- **Ne pas écraser, faire tomber ou endommager le bloc-piles. Ne jamais utiliser un bloc-piles ou un chargeur qui est tombé, a été écrasé, a reçu un choc violent ou a été endommagé de quelque façon que ce soit.** Une pile endommagée risque d'exploser. Éliminer immédiatement toute pile endommagée, selon une méthode appropriée.
- **Les piles peuvent exploser en présence d'une source d'allumage, telle qu'une veilleuse.** Pour réduire les risques de blessures graves, ne jamais utiliser un appareil sans fil, quel qu'il soit, en présence d'une flamme vive. En explosant, une pile peut projeter des débris et des produits chimiques. En cas d'exposition, rincer immédiatement les parties atteintes avec de l'eau.
- **Ne pas recharger un outil fonctionnant sur piles dans un endroit humide ou mouillé. Ne pas utiliser, remiser ou charger le bloc-piles ou produits dans des emplacements où la température est inférieure 10 °C (50 °F) à ou supérieure à 38 °C (100 °F).** Ne pas ranger l'outil à l'extérieur ou dans un véhicule.
- **Si l'outil est utilisé de façon intensive ou sous des températures extrêmes, des fuites de pile peuvent se produire. En cas de contact du liquide avec la peau, rincer immédiatement la partie atteinte avec de l'eau. En cas d'éclaboussure dans les yeux, les rincer à l'eau fraîche pendant au moins 10 minutes, puis contacter immédiatement un médecin.** Le respect de cette règle réduira les risques de blessures graves.
- **Conserver ces instructions.** Les consulter fréquemment et les utiliser pour instruire les autres utilisateurs éventuels. Si cet outil est prêté, il doit être accompagné de ces instructions.

SYMBOLES

Les termes de mise en garde suivants et leur signification ont pour but d'expliquer le degré de risques associé à l'utilisation de ce produit.

SYMBOLE	SIGNAL	SIGNIFICATION
	DANGER :	Indique une situation dangereuse qui, si elle n'est pas évitée, aura pour conséquences des blessures graves ou mortelles.
	AVERTISSEMENT :	Indique une situation dangereuse qui, si elle n'est pas évitée, pourrait entraîner des blessures graves ou mortelles.
	ATTENTION :	Indique une situation dangereuse qui, si elle n'est pas évitée, pourrait entraîner des blessures légères ou de gravité modérée.
	AVIS :	(Sans symbole d'alerte de sécurité) Indique les informations jugées importantes sans toutefois représenter un risque de blessure (ex. : messages concernant les dommages matériels).

Certains des symboles ci-dessous peuvent être utilisés sur produit. Veiller à les étudier et à apprendre leur signification. Une interprétation correcte de ces symboles permettra d'utiliser produit plus efficacement et de réduire les risques.

SYMBOLE	NOM	DÉSIGNATION / EXPLICATION
	Symbole d'alerte de sécurité	Indique un risque de blessure potentiel.
	Lire manuel d'utilisation	Pour réduire les risques de blessures, l'utilisateur doit lire et veiller à bien comprendre le manuel d'utilisation avant d'utiliser ce produit.
	Protection oculaire	Toujours porter une protection oculaire avec écrans latéraux certifiée conforme à la norme ANSI Z87.1.
	Avertissement concernant l'humidité	Ne pas exposer à la pluie ou l'humidité.
	Symboles de recyclage	Ce produit utilise les piles de lithium-ion (Li-ion). Les réglementations locales ou gouvernementales peuvent interdire de jeter les piles dans les ordures ménagères. Consulter les autorités locales compétentes pour les options de recyclage et/ou l'élimination.
V	Volts	Tension
min	Minutes	Temps
==	Courant continu	Type ou caractéristique du courant
n ₀	Vitesse à vide	Vitesse de rotation à vide
.../min	Par minute	Tours, coups, vitesse périphérique, orbites, etc., par minute

CARACTÉRISTIQUES

FICHE TECHNIQUE

Commutateur Une vitesse
Vitesse à vide 29 000 RPM

Taille de collet 6,35 mm (1/4 po)

ASSEMBLAGE

AVERTISSEMENT :

Ne pas utiliser le produit s'il n'est pas complètement assemblé ou si des pièces semblent manquantes ou endommagées. L'utilisation d'un produit dont l'assemblage est incorrect ou incomplet ou comportant des pièces endommagées ou absentes représente un risque de blessures graves.

AVERTISSEMENT :

Ne pas essayer de modifier cet outil ou de créer des pièces et accessoires non recommandés. De telles altérations ou modifications sont considérées comme un usage abusif et peuvent créer des conditions dangereuses, risquant d'entraîner des blessures graves.

Si des pièces manquent ou sont endommagées, veuillez appeler au 1-800-525-2579 pour obtenir de l'aide.

UTILISATION

AVERTISSEMENT :

Ne pas laisser la familiarité avec l'outil faire oublier la prudence. Ne pas oublier qu'une fraction de seconde d'inattention peut entraîner des blessures graves.

AVERTISSEMENT :

Toujours retirer la bloc-pile de l'outil au moment d'assembler des pièces, d'effectuer des réglages et de procéder au nettoyage, ou lorsque l'outil n'est pas utilisé. Si cette précaution n'est pas prise, des objets peuvent être projetés dans les yeux et causer des lésions graves.

AVERTISSEMENT :

Toujours porter une protection oculaire avec écrans latéraux certifiée conforme à la norme ANSI Z87.1. Si une opération dégage de la poussière, porter également un masque anti-poussière.

AVERTISSEMENT :

Ne pas utiliser d'outils ou accessoires non recommandés pour cet outil. L'utilisation de pièces et accessoires non recommandés peut entraîner des blessures graves.

APPLICATIONS

Cet outil ne doit être utilisé que pour les applications listées ci-dessous.

- Rognage fin et professionnel des laminés, bois et placages en bois

INSTALLATION / RETRAIT DU BLOC-PILES

Voir la figure 1, page 10.

- Mettre le commutateur en position **D'ARRÊT**.
- Insérer la pile dans l'outil comme illustré.
- S'assurer que les loquets de chaque côté de la pile s'enclenchent en place et que la pile est bien fixée à l'outil avant de mettre l'outil en marche.
- Relâcher les loquets pour retirer le bloc-piles.

Consulter les manuels d'utilisation du bloc-piles et du chargeur pour connaître toutes les instructions de charge.

AVERTISSEMENT :

Les outils à piles sont toujours en état de fonctionnement. Mettre le commutateur en position **D'ARRÊT** n'est pas utilisé ou pour le transporter le long du corps, pour insérer ou retirer le bloc-piles et lors de l'installation ou du retrait des forets. Le non-respect de mettre le commutateur en position d'arrêt peut causer un démarrage accidentel, entraînant des blessures graves.

MISE EN MARCHÉ ET ARRÊT

Voir la figure 2, page 10.

Pour mettre la toupie en **MARCHÉ**, glisser le commutateur du devant de l'outil sur la **MARCHÉ**. Une fois le travail terminé, remettre le commutateur en position **D'ARRÊT**.

UTILISATION

ENLEVER LA BASE

Voir la figure 3, page 10.

- Retirer le bloc-piles.
- Poser la toupie à l'envers sur un plan de travail.
- Tirer le levier de levier de dégagement rapide en position ouverte.
- Enfoncer complètement le levier de dégagement du moteur, soulever le boîtier du moteur jusqu'à ce qu'il s'immobilise sur le bouton de verrouillage de la broche.
- Tout en maintenant le levier de dégagement du moteur enfoncé avec une main, appuyer sur le bouton de verrouillage de la broche avec l'autre main. Glisser la base vers l'avant jusqu'à ce que le levier de dégagement du moteur soit dégagé du bouton de verrouillage de la broche puis retirer la base.

Se connecter ensemble de moteur et la base :

- Enfoncer complètement le levier de dégagement du moteur avec une main et appuyer sur le bouton de verrouillage de la broche avec l'autre main.
- Aligner le boîtier du moteur avec la base et pousser le boîtier du moteur sur la base, jusqu'à ce que le bouton de verrouillage de la broche soit dégagé.
- Relâchement le levier de dégagement moteur et fermer levier de dégagement rapide.

INSTALLATION / RETRAIT DES FERS À ROGNER

Voir la figure 4, page 10.

AVERTISSEMENT :

Ne jamais utiliser un fer dont le diamètre est supérieur à l'ouverture de la base. L'usage de fers de plus grande taille peut causer une perte de contrôle et entraîner des blessures graves.

AVERTISSEMENT :

Ne pas utiliser de fers droits de plus de 6,35 mm (1/4 po) ou de fers à profiler produisant une taille de plus de 9,5 mm (3/8 po.) avec cette toupie. L'usage de fers de plus grande taille peut causer une perte de contrôle et entraîner des blessures graves.

AVERTISSEMENT :

Si le fer est changé immédiatement après avoir été utilisé, veiller à ne toucher ni le fer, ni le collet, ni son écrou avec les doigts ou la main. Ces pièces, chauffées par la friction, causeraient des brûlures. Toujours utiliser la clé fournie.

- Mettre le commutateur en position **D'ARRÊT** et retirer le bloc-piles.
- Poser la toupie à l'envers sur un plan de travail.

- Tirer le levier de levier de dégagement rapide en position ouverte.
- Enfoncer le levier de dégagement moteur et déplacer la base afin de s'assurer d'avoir un accès direct à l'écrou de mandrin. Il n'est pas nécessaire de retirer la base.
- Enfoncer le bouton de verrouillage de l'arbre et tourner la broche jusqu'à ce qu'elle se verrouille.
- Tourner le collet vers la gauche au moyen de la clé fournie. Desserrer le collet tout en maintenant le bouton de verrouillage de broche enfoncé.
- L'outil étant toujours posé à l'envers sur le plan de travail, insérer la tige du fer dans le collet. La tige du fer doit être proche du fond du collet, sans toutefois le toucher. Ceci permettra la dilatation lorsque le fer chauffe. Un dégagement de 1,6 mm (1/16 po) est suffisant.

NOTE : Le collet à usinage de précision est conçu pour des tiges de 6,35 mm (1/4 po).

- Serrer l'écrou de collet à la main. Ensuite, appuyer sur le bouton de verrouillage de broche et continuer de serrer le collet, en le tournant vers la droite avec la clé fournie.

AVERTISSEMENT :

Si l'écrou du collet n'est pas fermement serré, le fer risque d'être éjecté en cours d'utilisation et de causer des blessures graves.

- Enfoncer le levier de dégagement moteur et remettre la base en position d'utilisation.
- Pousser de levier de dégagement rapide en position fermeture.
- Remettre le bloc-piles en place.

RÉGLAGE DE LA PROFONDEUR DE COUPE

Voir la figure 5, page 11.

- Mettre le commutateur en position **D'ARRÊT** et retirer le bloc-piles de l'outil.
- Tirer le levier de levier de dégagement rapide en position ouverte.
- Utiliser microréglage de la profondeur, ajuster la position de l'outil pour obtenir la profondeur de coupe désirée en relevant ou abaissant le boîtier du moteur. Pour abaisser le boîtier du moteur, tourner le bouton de microréglage de la profondeur vers la flèche « DOWN » (pointant vers le bas) située sur le côté du bouton.

NOTE : Pour régler la profondeur de coupe à zéro, tenir la toupie en place et tourner le bouton de microréglage de la profondeur jusqu'à ce qu'il indique « O ».

- La profondeur du fer est indiquée sur l'échelle de profondeur de coupe sur le boîtier du moteur. Chaque graduation de l'échelle représente 1,6 mm (1/16 po). Utiliser le bord supérieur de la base en fonte (indicateur de profondeur de coupe) comme référence lors du réglage de la profondeur de coupe.

UTILISATION

- Pousser de levier de dégagement rapide en position fermeture.

AVERTISSEMENT :

Éviter l'ouverture de la base. Tout contact avec le fer en rotation infligerait des blessures graves.

NOTE : Par conséquent, lorsqu'une coupe plus profonde est nécessaire, effectuer plusieurs passes en abaissant le fer de 3,2 mm (1/8 po) à chacune. Pour gagner du temps, effectuer toutes les coupes désirées à une même profondeur avant d'abaisser le fer pour la passe suivante. Cela assurera l'uniformité de la profondeur lors de l'exécution de la passe finale.

UTILISATION DE LA TOUPIE

Voir la figure 6, page 11.

AVERTISSEMENT :

Éviter les positions de mains risquant de mettre les doigts en contact avec le fer, au travers des ouvertures de la base. L'insertion des doigts dans les ouvertures de la base peut causer des coupures ou brûlures graves.

AVERTISSEMENT :

Toujours utiliser la semelle à laminés pour le rognage. L'utilisation de la toupie sans la semelle ou avec la semelle incorrecte peut causer une perte de contrôle et entraîner des blessures graves.

AVIS :

Pour éviter des dommages au moteur causés par une surchauffe, veiller à ne pas laisser la main couvrir les ouïes d'aération.

Avant de mettre l'outil en marche, le bloc-piles étant retiré, s'assurer que le fer est bien serré dans le collet et que le réglage de profondeur de coupe est correct. Ne jamais mettre l'outil en marche lorsque le fer est en contact avec la pièce.

Une fois le travail terminé, écartez légèrement le fer de la pièce. Pour le rognage, placer la base de l'outil sur la surface de travail et maintenir fermement la toupie avec la main.

Pour le rognage, placer la base de l'outil sur la surface de travail et maintenir fermement la toupie avec la main. S'assurer que le fer tourne à pleine vitesse avant de le mettre en contact avec la pièce à rogner.

DIRECTION D'ENGAGEMENT

Voir les figures 7 et 8, page 11.

Le moteur de la toupie et du fer tournent dans le sens des aiguilles d'une montre. Cela donne à l'outil une légère tendance à tourner dans les mains vers la gauche, en particulier lors du démarrage du moteur.

L'outil doit être engagé sur la pièce de gauche à droite. Lorsque l'outil est engagé de gauche à droite, la rotation du fer tire l'outil contre la pièce. Si la toupie est engagée dans le sens contraire, la force de rotation du fer a tendance à projeter l'outil à l'écart de la pièce, causant un rebond. Un rebond peut causer la perte de contrôle.

Étant donné la vitesse de rotation extrêmement élevée, il y a très peu de rebond lorsque l'avance est normale. Toutefois, si le fer heurte un noeud, un grain dur ou un objet étranger gênant la progression normale, un léger rebond se produit. Ce rebond suffit à affecter la précision de l'usinage si l'on n'y est pas préparé. Un tel rebond se produit toujours dans le sens inverse du sens de rotation du fer.

Pour éviter le rebond, planifier la configuration et le sens de l'avance – de manière à toujours pousser l'outil, afin de le maintenir contre le dispositif de guidage utilisé – c'est-à-dire dans le sens de rotation du fer. L'outil doit être poussé de façon que les tranchants du fer mordent continuellement dans du bois neuf (non coupé).

VITESSE D'ENGAGEMENT CORRECTE

Des résultats professionnels ne peuvent être obtenus qu'avec un réglage soigneux et une vitesse d'engagement correcte.

La vitesse d'engagement à utiliser dépend de plusieurs facteurs :

- **La dureté et la teneur en humidité de la pièce**
- **La profondeur de coupe.** Ne pas dépasser une profondeur de coupe de 3,2 mm (1/8 po) pour obtenir la vitesse d'avance correcte.
- **Le diamètre du fer.** La taille de fer maximum pour les opérations d'arrondi et de bordure est de 9,5 mm (3/8 po.). La taille maximum de fer droit pour la feuillure et le rainurage est de 6,35 mm (1/4 po.).

Pour la coupe de rainures peu profondes dans les bois tendres, tels que le pin, une vitesse d'avance plus élevée peut être utilisée. Pour les coupes profondes dans les bois durs, tels que le chêne, utiliser une vitesse d'avance plus basse. Quel que soit le type de bois, une vitesse d'avance réduite est nécessaire pour la taille de rainures peu profondes.

Plusieurs facteurs contribuent au choix de la vitesse d'engagement.

- La vitesse utilisée ne doit pas causer un ralentissement du moteur.
- La vitesse utilisée doit permettre au fer d'avancer fermement et de produire un copeau spirale continu, ou s'il s'agit d'un laminé, un bord lisse.
- Écouter le son produit par le moteur. Un son aigu signifie que l'avance est trop rapide et que le moteur force..
- Observer la progression de chaque taille. Une avance trop lente peut également causer la déviation de la toupie de la ligne de coupe prévue. Une avance forcée rend l'outil plus difficile à maintenir du fait de la perte de vitesse et peut endommager l'outil.

UTILISATION

- Observer les copeaux produits par la coupe. Si l'outil est avancé trop lentement il entame ou brûle le bois. Si l'avance est trop rapide, le fer produit des copeaux de grande taille et laisse des marques dans le bois.

Toujours effectuer un essai sur une chute de bois ou de laminé avant de commencer le travail. Toujours saisir et maintenir fermement l'outil lors du travail.

Lors du rainurage avec un fer droit de 6,35 mm (1/4 po.), quel que soit le type de bois, une profondeur de coupe de 3,2 mm (1/8 po) maximum doit être utilisée, sans quoi la taille deviendrait difficile et il convient donc d'utiliser une avance très lente. La taille contre le grain exige une avance plus lente que la taille dans le sens du grain d'une même pièce. Il n'y a pas de règle absolue. La vitesse d'engagement correcte s'acquiert avec l'usage et l'expérience.

AVANCE FORCÉE

Voir la figure 9, page 12.

La vitesse de rotation de la toupie étant extrêmement élevée (29 000 RPM), celle-ci effectuera des coupes nettes et lisses si elle tourne librement, sans être surchargée par une avance forcée. Les trois facteurs qui causent une avance forcée sont la taille du fer, la profondeur de coupe et les caractéristiques de la pièce. Plus le fer est gros et plus la coupe est profonde, plus l'avance doit être lente. Si le bois est très dur, noueux, résineux ou humide, la vitesse d'avance doit être réduite encore davantage.

Un toupillage ou profilage propre et net ne peut être obtenu que lorsque le fer tourne à relativement haute vitesse et mord légèrement, produisant de petits copeaux, nettement taillés. Si la toupie est poussée trop vite, la vitesse de rotation du fer par rapport à la vitesse d'avance devient inférieure à la normale. De ce fait, le fer découpe de plus gros copeaux. Plus les copeaux sont gros, plus la finition est grossière. La taille de plus gros copeaux exige davantage de puissance, ce qui entraîne une surchauffe du moteur et une réduction de la vie utile de la pile.

Si la vitesse d'avance est forcée à l'extrême, la vitesse de rotation du fer est tellement réduite et les copeaux deviennent si gros qu'ils sont partiellement arrachés au lieu d'être nettement coupés. Ceci cause l'éclatement et l'entaillage de la pièce ce qui risque fortement d'endommager l'outil.

AVANCE TROP LENTE

Voir la figure 9, page 12.

Lorsque la toupie est avancée trop lentement sur la pièce, le fer n'attaque pas le bois assez vite pour découper des copeaux, au lieu de cela, il racle de petites particules semblables à de la sciure. Le raclage produit de la chaleur, ce qui risque de vitrifier, de brûler ou d'abîmer le bois et de surchauffer le fer. Des fers émoussés peuvent également contribuer au raclage et au brûlage.

En outre, lorsque le fer râpe au lieu de couper, la toupie est plus difficile à contrôler. Lorsque la charge exercée sur le moteur est pratiquement nulle, le fer tourne à une vitesse

proche du maximum et a une tendance beaucoup plus grande que la normale à rebondir sur le bord de la pièce, en particulier si le grain du bois est prononcé, avec des portions dures et tendres. De ce fait, la coupe peut être ondulée au lieu de droite.

PROFONDEUR DE COUPE

Voir la figure 10, page 12.

AVERTISSEMENT :

Si la profondeur de coupe désirée ne peut pas être obtenue en une seule passe en toute sécurité, effectuer deux passes ou plus. Ne pas tailler plus de 3,2 mm (1/8 po) par passe. L'usage de fers de plus grande taille peut causer une perte de contrôle et entraîner des blessures graves.

La profondeur de coupe affecte la vitesse d'avance et la qualité de la coupe. L'usage d'une profondeur de coupe correcte peut réduire les risques d'endommagement du moteur et du fer.

Une coupe plus profonde demande une avance plus lente qu'une coupe peu profonde. Une profondeur de coupe excessive ralentit l'avance au point que le fer râpe le bois au lieu de le couper et n'est donc pas recommandée.

Les fers de petite taille, dont le diamètre n'est que de 1,6 mm (1/16 po), se brisent facilement lorsqu'ils sont soumis à une poussée latérale excessive. Bien qu'un fer de plus grande taille risque moins de se briser, si la coupe est trop profonde, il peut s'avérer très difficile de guider et contrôler l'outil.

C'est pourquoi nous recommandons de ne pas dépasser une profondeur de coupe de 3,2 mm (1/8 po) à chaque passe, quelle que soit la taille du fer, la dureté ou l'état de la pièce de bois. Cela permet d'obtenir des résultats de qualité supérieure.

Par conséquent, lorsqu'une coupe plus profonde est nécessaire, effectuer plusieurs passes en abaissant le fer de 3,2 mm (1/8 po) à chacune. Pour gagner du temps, effectuer toutes les coupes désirées à une même profondeur avant d'abaisser le fer pour la passe suivante. Cela assurera l'uniformité de la profondeur lors de l'exécution de la passe finale.

FIXATION DE SOUS-BASE CARRÉE (NON INCLUS)

Voir les figures 11, page 12.

- Retirer le bloc-pile.
- Mettre la toupie à l'envers afin de retirer les quatre vis de la sous-base et la sous base ronde.
- Fixer la sous-base carrée au moyen des mêmes vis.
- Serrer solidement les vis. Ne pas les serrer excessivement.

AVERTISSEMENT :

Toujours utiliser la base pour le rognage de laminés. L'utilisation de toupie sans la base ou avec la base incorrecte peut entraîner des blessures graves.

UTILISATION

USAGE DU GUIDE DE CHANT (NON INCLUS)

Voir la figure 12 et 13, page 12.

Utiliser le guide de chant pour découper ou rogner les pièces droites ou courbe de bordures.

- Retirer le bloc-pile.
- Visser les tiges du guide dans la base et les serrer avec un tournevis à lame plate.
- Glisser le guide de chant sur les tiges.

- Retirer les deux vis papillon du guide à roulement et les installer sur le guide de chant.
- Mesurer la distance correcte de décalage du fer ou, dans le cas d'un rognage, placer le fer contre le bord de la pièce.
- Serrer les deux vis papillon pour assujettir le guide de chant.
- Réinstaller le bloc-pile.
- Déplacer toupie le long de la pièce, en gardant le guide en contact constant avec le bord de la pièce.

ENTRETIEN

AVERTISSEMENT :

Utiliser exclusivement des pièces d'origine pour les réparations. L'usage de toute autre pièce pourrait créer une situation dangereuse ou endommager l'produit.

ENTRETIEN GÉNÉRAL

Éviter d'utiliser des solvants pour le nettoyage des pièces en plastique. La plupart des matières plastiques peuvent être endommagées par divers types de solvants du commerce. Utiliser un chiffon propre pour éliminer la saleté, la poussière, l'huile, la graisse, etc.

ACCESSOIRES

Les accessoires ci-dessous sont en vente au centre de réparations :

- Sous-base ronde519233001
- Guide margeur640795001

AVERTISSEMENT :

Les outils et accessoires disponibles actuellement pour cet outil sont listés ci-dessus. Ne pas utiliser d'outils ou accessoires non recommandés par le fabricant pour cet outil. L'utilisation de pièces et accessoires non recommandés peut entraîner des blessures graves.

**NOTE : ILLUSTRATIONS COMMENÇANT
SUR 10 DE PAGE APRÈS LE SECTION ESPAGNOL.**

ADVERTENCIAS DE SEGURIDAD GENERALES PARA LA HERRAMIENTAS ELÉCTRICA

ADVERTENCIA

Lea todas las advertencias de seguridad y las instrucciones. El incumplimiento de las advertencias e instrucciones puede ocasionar descarga eléctrica, fuego o lesiones graves.

Guarde todas las advertencias e instrucciones para futuras consultas. El término “herramienta eléctrica” empleado en todos los avisos de advertencia enumerados abajo se refiere a las herramientas eléctricas de cordón (alámbricas) y de baterías (inalámbricas).

SEGURIDAD EN EL ÁREA DE TRABAJO

- **Mantenga limpia y bien iluminada el área de trabajo.** Un área de trabajo mal despejada o mal iluminada propicia accidentes.
- **No utilice herramientas motorizadas en atmósferas explosivas, como las existentes alrededor de líquidos, gases y polvos inflamables.** Las herramientas eléctricas generan chispas que pueden encender el polvo y los vapores inflamables.
- **Mantenga alejados a los niños y circunstancias al maniobrar una herramienta eléctrica.** Toda distracción puede causar pérdida del control de la herramienta.

SEGURIDAD ELÉCTRICA

- **Las clavijas de las herramientas eléctricas deben corresponder a las tomas de corriente donde se conectan. Nunca modifique la clavija de ninguna forma. No utilice ninguna clavija adaptadora con herramientas eléctricas dotadas de contacto a tierra.** Conectando las clavijas originales en las tomas de corriente donde corresponden se disminuye el riesgo de una descarga eléctrica.
- **Evite el contacto del cuerpo con las superficies de objetos que estén haciendo tierra o estén conectados a ésta, como tuberías, radiadores, estufas y refrigeradores.** Existe un mayor riesgo de descargas eléctricas si el cuerpo está haciendo tierra.
- **No exponga las herramientas eléctricas a la lluvia ni a condiciones de humedad.** La introducción de agua en una herramienta eléctrica aumenta el riesgo de descargas eléctricas.
- **No maltrate el cordón eléctrico. Nunca utilice el cordón para trasladar, desconectar o tirar de la herramienta eléctrica. Mantenga el cordón alejado del calor, del aceite, de bordes afilados y de piezas móviles.** Los cordones eléctricos dañados o enredados aumentan el riesgo de descargas eléctricas.
- **Al utilizar una herramienta eléctrica a la intemperie, use un cordón de extensión apropiado para el exterior.** Usando un cordón adecuado para el exterior se disminuye el riesgo de descargas eléctricas.
- **Si debe operar una herramienta en lugares húmedos, use un suministro protegido por un interruptor de circuito con pérdida a tierra (GFCI).** El uso de un GFCI reduce el riesgo de descargas eléctricas.
- **Usar este producto únicamente con la baterías y el cargadores indicados en el folleto de la herramienta/aparato/paquete de baterías/cargador complementario 987000-432.**

SEGURIDAD PERSONAL

- **Permanezca alerta, preste atención a lo que esté haciendo y aplique el sentido común al utilizar herramientas eléctricas. No utilice la herramienta eléctrica si está cansado o se encuentra bajo los efectos de alguna droga, alcohol o medicamento.** Un momento de inatención al utilizar una herramienta eléctrica puede causar lesiones corporales serias.

- **Use equipo de seguridad. Siempre póngase protección ocular.** El uso de equipo de seguridad como mascarilla para el polvo, calzado de seguridad, casco y protección para los oídos en las circunstancias donde corresponda disminuye el riesgo de lesiones.
- **Evite un arranque accidental de la unidad. Asegúrese de que el interruptor esté en la posición de apagado antes de conectar la herramienta.** Portar las herramientas eléctricas con el dedo en el interruptor, o conectarlas con el interruptor puesto, propicia accidentes.
- **Retire toda llave o herramienta de ajuste antes de encender la herramienta eléctrica.** Toda llave o herramienta de ajuste dejada en una pieza giratoria de la herramienta eléctrica puede causar lesiones.
- **No estire el cuerpo para alcanzar mayor distancia. Mantenga una postura firme y buen equilibrio en todo momento.** De esta manera se logra un mejor control de la herramienta eléctrica en situaciones inesperadas.
- **Vístase adecuadamente. No vista ropas holgadas ni joyas. Mantenga el cabello, la ropa y los guantes alejados de las piezas móviles.** Las ropas holgadas, las joyas y el cabello largo pueden engancharse en las piezas móviles.
- **Si se suministran dispositivos para conectar mangueras de extracción y captación de polvo, asegúrese de que éstas estén bien conectadas y se usen correctamente.** La utilización de captador de polvo puede disminuir los peligros relacionados con el polvo.
- **No vista ropas holgadas ni joyas. Recójase el cabello si está largo.** Las ropas holgadas y las joyas, así como el cabello largo, pueden resultar atraídas hacia el interior de las aberturas de ventilación.
- **No utilice la unidad al estar en una escalera o en un soporte inestable.** Una postura estable sobre una superficie sólida permite un mejor control de la herramienta eléctrica en situaciones inesperadas.

EMPLEO Y CUIDADO DE LA HERRAMIENTA ELÉCTRICA

- **No fuerce la herramienta eléctrica. Utilice la herramienta eléctrica adecuada para cada trabajo.** La herramienta eléctrica adecuada efectúa mejor y de manera más segura el trabajo, si además se maneja a la velocidad para la que está diseñada.
- **No utilice la herramienta si el interruptor no enciende o no apaga.** Cualquier herramienta eléctrica que no pueda controlarse con el interruptor es peligrosa y debe repararse.
- **Desconecte la clavija del suministro de corriente o retire el paquete de baterías de la herramienta eléctrica, según sea el caso, antes de efectuarle cualquier ajuste, cambiarle accesorios o guardarla.** Tales medidas preventivas de seguridad reducen el riesgo de poner en marcha accidentalmente la herramienta.
- **Guarde las herramientas eléctricas desocupadas fuera del alcance de los niños y no permita que las utilicen personas no familiarizadas con las mismas o con estas instrucciones.** Las herramientas eléctricas son peligrosas en manos de personas no capacitadas en el uso de las mismas.
- **Preste servicio a las herramientas eléctricas. Revise para ver si hay desalineación o atoramiento de piezas móviles, ruptura de piezas o cualquier otra condición que pueda afectar el funcionamiento de la herramienta. Si está dañada la herramienta eléctrica, permita que la reparen antes de usarla.** Numerosos accidentes son causados por herramientas eléctricas mal cuidadas.

ADVERTENCIAS DE SEGURIDAD GENERALES PARA LA HERRAMIENTAS ELÉCTRICA

- **Mantenga las herramientas de corte afiladas y limpias.** Las herramientas de corte bien cuidadas y con bordes bien afilados, tienen menos probabilidad de atascarse en la pieza de trabajo y son más fáciles de controlar.
- **Utilice la herramienta eléctrica, los accesorios y brocas, hojas y cuchillas de corte, ruedas de esmeril, etc. de conformidad con estas instrucciones, tomando en cuenta las condiciones de trabajo y la tarea por realizar.** Si se utiliza la herramienta eléctrica para operaciones diferentes de las indicadas podría originar una situación peligrosa.

EMPLEO Y CUIDADO DE LA HERRAMIENTA DE BATERÍAS

- **Sólo cargue el paquete de baterías con el cargador especificado por el fabricante.** Un cargador adecuado para un tipo paquete de baterías puede significar un riesgo de incendio si se emplea con un paquete de baterías diferente.
- **Utilice las herramientas eléctricas sólo con los paquetes de baterías específicamente indicados.** El empleo de paquetes de baterías diferentes puede presentar un riesgo de incendio.
- **Cuando no esté utilizándose el paquete de baterías, manténgalo lejos de otros objetos metálicos, como clips,**

monedas, llaves, clavos, tornillos o otros objetos metálicos, pequeños que puedan establecer conexión entre ambas terminales. Establecer una conexión directa entre las dos terminales de las baterías puede causar quemaduras o incendios.

- **Si se maltratan las baterías, puede derramarse líquido de las mismas; evite todo contacto con éste. En caso de contacto, lávese con agua. Si el líquido llega a tocar los ojos, además busque atención médica.** El líquido de las baterías puede causar irritación y quemaduras.

SERVICIO

- **Permita que un técnico de reparación calificado preste servicio a la herramienta eléctrica, y sólo con piezas de repuesto idénticas.** De esta manera se mantiene la seguridad de la herramienta eléctrica.
- **Al dar servicio a una herramienta eléctrica, sólo utilice piezas de repuesto idénticas. Siga las instrucciones señaladas en la sección Mantenimiento de este manual.** El empleo de piezas no autorizadas o el incumplimiento de las instrucciones de mantenimiento puede significar un riesgo de descarga eléctrica o de lesiones.

ADVERTENCIAS DE SEGURIDAD PARA FRESADORA DE MANO




- **Utilice prensas o cualquier otro medio práctico de asegurar y sostener la pieza de trabajo en una plataforma segura.** Sostener la pieza de trabajo con la mano o contra el cuerpo la deja inestable y puede causar la pérdida de control de la misma.
- **Sujete las herramientas eléctricas por las superficies aisladas de sujeción al efectuar una operación en la cual la herramienta de corte pueda entrar en contacto con cables ocultos.** Todo contacto de una herramienta con un cable cargado carga las piezas metálicas expuestas de la herramienta y da una descarga eléctrica al operador.
- **Familiarícese con su herramienta eléctrica. Lea cuidadosamente el manual del operador. Aprenda sus usos y limitaciones, así como los posibles peligros específicos de esta herramienta eléctrica.** Con el cumplimiento de esta regla se reduce el riesgo de una descarga eléctrica, incendio o lesión seria.
- **Siempre use protección ocular con laterales protectores con la marca de cumplimiento con la norma ANSI Z87.1 al ensamblar piezas, utilizar la herramienta o llevar a cabo tareas de mantenimiento.** Con el cumplimiento de esta regla se reduce el riesgo de lesiones corporales serias.
- **Protéjase los pulmones. Use una careta o mascarilla contra el polvo si la operación genera mucho polvo.** Con el cumplimiento de esta regla se reduce el riesgo de lesiones serias.
- **Protéjase los oídos. Durante períodos prolongados de utilización del producto, póngase protección para los oídos.** Con el cumplimiento de esta regla se reduce el riesgo de lesiones corporales serias.
- **No se necesita conectar a una toma de corriente las herramientas de baterías; por lo tanto, siempre están en condiciones de funcionamiento. Esté consciente de los posibles peligros cuando no esté usando la herramienta de baterías o cuando esté cambiando los accesorios de la**

misma. Con el cumplimiento de esta regla se reduce el riesgo de una descarga eléctrica, incendio o lesión corporal seria.






- **No coloque herramientas de baterías ni las baterías mismas cerca del fuego o del calor.** De esta manera se reduce el riesgo de explosiones y de lesiones.
- **No aplaste, deje caer o dañe de baterías. Nunca utilice una batería o cargador que se ha caído, aplastado, recibido un golpe contundente o ha sido dañado(a) de alguna manera.** Las baterías dañadas pueden sufrir explosiones. Deseche de inmediato toda batería que haya sufrido una caída o cualquier daño.
- **Las baterías pueden explotar en presencia de fuentes de inflamación, como los pilotos de gas.** Para reducir el riesgo de lesiones serias, nunca use un producto inalámbrico en presencia de llamas expuestas. La explosión de una batería puede lanzar fragmentos y compuestos químicos. Si ha quedado expuesto a la explosión de una batería, lávese de inmediato con agua.
- **No cargue herramientas de baterías en lugares mojados o húmedos. No lo utilice, guarde o cargue la paquete de baterías o la unidad en lugares donde la temperatura sea inferior a 10 °C (50 °F) o superior a 38 °C (100 °F).** No guarde la herramienta a la intemperie ni en el interior de vehículos.
- **En condiciones extremas de uso o temperatura las baterías pueden emanar líquido. Si el líquido llega a tocarle la piel, lávese de inmediato con agua y jabón. Si le entra líquido en los ojos, láveselos con agua limpia por lo menos 10 minutos, y después busque de inmediato atención médica.** Con el cumplimiento de esta regla se reduce el riesgo de lesiones corporales serias.
- **Guarde estas instrucciones.** Consúltelas con frecuencia y empléelas para instruir a otras personas que puedan utilizar esta herramienta. Si presta a alguien esta herramienta, facilítele también las instrucciones.

SÍMBOLOS

Las siguientes palabras de señalización y sus significados tienen el objeto de explicar los niveles de riesgo relacionados con este producto.

SÍMBOLO	SEÑAL	SIGNIFICADO
	PELIGRO:	Indica una situación peligrosa, la cual, si no se evita, causará la muerte o lesiones serias.
	ADVERTENCIA:	Indica una situación peligrosa, la cual, si no se evita, podría causar la muerte o lesiones serias.
	PRECAUCIÓN:	Indica una situación peligrosa, la cual, si no se evita, podría causar lesiones menores o leves.
	AVISO:	(Sin el símbolo de alerta de seguridad) Indica la información que se considera importante, pero no relacionada con lesiones potenciales (por ej. en relación a daños a la propiedad).

Es posible que se empleen en este producto algunos de los siguientes símbolos. Le suplicamos estudiarlos y aprender su significado. Una correcta interpretación de estos símbolos le permitirá utilizar mejor y de manera más segura el producto.

SÍMBOLO	NOMBRE	DENOMINACIÓN/EXPLICACIÓN
	Alerta de seguridad	Indica un peligro posible de lesiones personales.
	Lea el manual del operador	Para reducir el riesgo de lesiones, el usuario debe leer y comprender el manual del operador antes de usar este producto.
	Protección ocular	Siempre póngase protección ocular con protección lateral con la marca de cumplimiento de la norma ANSI Z87.1.
	Alerta de condiciones húmedas	No exponga la unidad a la lluvia ni la use en lugares húmedos.
	Símbolo de reciclado	Este producto utiliza baterías de iones de litio (Li-ion). Es posible que algunas leyes municipales, estatales o federales prohíban desechar las baterías en la basura normal. Consulte a las autoridades reguladoras de desechos para obtener información en relación con las alternativas de reciclado y desecho disponibles.
V	Volts	Voltaje
min	Minutos	Tiempo
≡	Corriente continua	Tipo o característica de corriente
n ₀	Velocidad en vacío	Velocidad de rotación, en vacío
.../min	Por minuto	Revoluciones, carreras, velocidad superficial, órbitas, etc., por minuto

CARACTERÍSTICAS

ESPECIFICACIONES DEL PRODUCTO

Interruptor Una velocidad Diámetro del portaherramientas 6,35 mm (1/4 pulg.)
Velocidad en vacío 29 000 RPM

ARMADO

ADVERTENCIA:

No use este producto si no está totalmente ensamblado o si alguna pieza falta o está dañada. El uso de un producto que no está adecuadamente y completamente ensamblado o posee partes dañadas o faltantes puede resultar en lesiones personales graves.

ADVERTENCIA:

No intente modificar este producto ni crear aditamentos o accesorios que no estén recomendados para usar con este producto. Dichas alteraciones o modificaciones constituyen un uso indebido y podrían provocar una situación de riesgo que cause posibles lesiones personales graves.

Si hay piezas dañadas o faltantes, le suplicamos llamar al 1-800-525-2579, donde le brindaremos asistencia.

FUNCIONAMIENTO

ADVERTENCIA:

No permita que su familiarización con las herramientas lo vuelva descuidado. Tenga presente que un descuido de un instante es suficiente para causar una lesión grave.

ADVERTENCIA:

Siempre retire el paquete de baterías de la herramienta cuando esté ensamblando partes, realizando ajustes, limpiando o cuando ésta no esté en uso. Retirando el paquete de baterías se evita arrancar accidentalmente la unidad, lo cual puede causar lesiones serias.

ADVERTENCIA:

Siempre póngase protección ocular con protección lateral con la marca de cumplimiento de la norma ANSI Z87.1. Si no cumple esta advertencia, los objetos que salen despedidos pueden producirle lesiones serias en los ojos.

ADVERTENCIA:

No utilice ningún aditamento o accesorio no recomendado por el fabricante de esta producto. El empleo de aditamentos o accesorios no recomendados podría causar lesiones serias.

INSTALACIÓN/DESMONTAR DEL PAQUETE DE BATERÍAS

Vea la figura 1, página 10.

- Ponga el interruptor en la posición de **APAGADO**.
- Coloque el paquete de baterías en el producto como se muestra.
- Asegúrese de que los pestillos situados a ambos lados del paquete de baterías entren completamente en su lugar con un chasquido y de que el paquete quede bien asegurado en la herramienta antes de comenzar a utilizarla.
- Oprima los pestillos para extraer el paquete de baterías.

Para obtener instrucciones específicas de carga, lea el manual del operador que se incluye con el cargador y la batería.

ADVERTENCIA:

Las herramientas de baterías siempre están en condiciones de funcionamiento. Ponga el interruptor en la posición de **APAGADO** en uso o lo lleve a su lado, al instalar o extraer el paquete de baterías y al instalar o extraer brocas. El incumplimiento de ponga el interruptor en la posición de apagado la herramienta puede ponerse en marcha accidentalmente, con el consiguiente riesgo de lesiones graves

ENCENDIDO Y APAGADO DE LA FRESADORA

Vea la figura 2, página 10.

Para **ENCENDER** la fresadora, deslice el interruptor, el cual está situado en la parte frontal de la fresadora, a la posición de **ENCENDIDO**.

Al terminar regrese el interruptor a la posición de **APAGADO**.

APLICACIONES

Este producto puede emplearse para los fines siguientes:

- Recorte liso profesional de laminados, madera y chapa de madera

ARMADO

RETIRE LA BASE

Vea la figura 3, página 10.

- Retire el paquete de baterías.
- Coloque la fresadora en posición vertical invertida sobre un banco de trabajo.
- Coloque la palanca de palanca de afloje rápido en posición abierta.
- Presione la palanca de liberación del motor por completo, tire del alojamiento del motor hacia arriba hasta que se detenga en el botón de bloqueo del husillo.
- Mientras mantiene hacia abajo la palanca de liberación del motor con una mano, presione el botón de bloqueo del husillo con la otra. Deslice la base hacia arriba hasta que la palanca de liberación del motor destrabe el botón de bloqueo del husillo y quite la base.

Conexión de la conjunto de alojamiento motor a la base:

- Presione la palanca de liberación del motor por completo con una mano, presione el botón de bloqueo del husillo con la otra.
- Alinee el alojamiento del motor con la base y empuje el alojamiento del motor en la base hasta que destrabe el botón de bloqueo del husillo.
- Tire la palanca de palanca de afloje rápido en posición cerrado.

MONTAJE Y DESMONTAJE DE LAS FRESAS DE RECORTAR

Vea la figura 4, página 10.



ADVERTENCIA:

Nunca instale ninguna fresa más grande que la abertura de la base de la fresadora. Si se utilizan fresas más grandes puede producirse una pérdida de control y posibles lesiones serias.



ADVERTENCIA:

Con esta fresadora no use fresas rectas mayores de 6,35 mm (1/4 pulg.) ni fresas para fresar cantos que efectúen un corte mayor que 9,5 mm (3/8 pulg.). Si se utilizan fresas más grandes puede producirse una pérdida de control y lesiones serias.



ADVERTENCIA:

Si se dispone a cambiar una fresa inmediatamente después de usarla, tenga cuidado de no tocar la tuerca del portaherramientas, la fresa o el portaherramientas con los dedos ni con las manos. Puede lastimarse debido al calor acumulado durante el corte. Siempre use la llave suministrada.

- Ponga el interruptor en **APAGADO** y retire el paquete de baterías.
- Coloque la fresadora en posición vertical invertida sobre un banco de trabajo.

- Coloque la palanca de palanca de afloje rápido en posición abierta.
- Oprima la pasador de liberación motor y mueva la base para obtener acceso a la tuerca del portaherramientas. No es necesario sacar la base.
- Oprima el botón de bloqueo del eje y gire el husillo hasta que se trabo.
- Con la llave suministrada gire a la izquierda la tuerca del portaherramientas. Continúe oprimiendo el botón del seguro del husillo mientras afloja la tuerca del portaherramientas.
- Teniendo la fresadora inmóvil en posición invertida sobre un banco de trabajo, introduzca el fuste de la fresa en el portaherramientas. El fuste de la fresa debe estar cerca pero sin tocar la parte inferior del portaherramientas. Esto permite una expansión cuando se calienta la fresa. Es adecuado un espacio de 1,6 mm (1/16 pulg.).

NOTA: El portaherramientas está maquinado con tolerancias precisas para fresas con fustes de 6,35 mm (1/4 pulg.).

- Apriete a mano la tuerca del portaherramientas. Después oprima el botón del seguro del husillo y continúe apretando la tuerca del portaherramientas girándola a la derecha con la llave suministrada.



ADVERTENCIA:

Si la tuerca del portaherramientas no está apretada firmemente, se puede salir la fresa al usarse la herramienta y causar lesiones graves.

- Oprima la pasador de liberación motor y coloque la base nuevamente en una posición operativa.
- Tire la palanca de palanca de afloje rápido en posición cerrado.
- Vuelva a colocar el paquete de baterías.

AJUSTE DE LA PROFUNDIDAD DE CORTE

Vea la figura 5, página 11.

- Ponga el interruptor en **APAGADO** y retire de la fresadora el paquete de baterías.
- Coloque la palanca de palanca de afloje rápido en posición abierta.
- Usando el botón de ajuste microdepth, ajuste la posición de la tupi para obtener la profundidad de corte deseada; para ello, suba o baje la sección del alojamiento del motor. Para mover el alojamiento del motor hacia abajo, gire la perilla de ajuste de microprofundidad hacia la flecha "DOWN" (abajo) situada en un lado de la perilla..

NOTA: Para configurar la profundidad de corte en cero, sujete la tupi tupi en su lugar y gire la perilla de ajuste de microprofundidad hasta que se ubique en "0".

- La profundidad de corte de la fresa puede leerse en la escala de profundidad de corte en el alojamiento del motor. Cada marca de la escala indica 1/16" (1,6 mm) de cambio en el ajuste de la profundidad. Básese en el borde superior de la base de metal fundido (el indicador de profundidad de corte) como referencia al fijar la profundidad de corte.

FUNCIONAMIENTO

- Tire la palanca de palanca de afloje rápido en posición cerrado.



ADVERTENCIA:

Evite el área abierta de la base de la fresadora. Pueden resultar lesiones serias si se toca la fresa en movimiento.

NOTE: Para efectuar cortes más profundos, es necesario efectuar tantas pasadas sucesivas cuantas se requieran, bajando la fresa 3,2 mm (1/8 pulg.) en cada nueva pasada. Con el fin de ahorrar tiempo, realice todos los cortes necesarios a la misma profundidad, y después baje la fresa para la pasada siguiente. Así se asegura también una profundidad uniforme al terminar la pasada final.

UTILIZACIÓN DE LA FRESADORA

Vea la figura 6, página 11.



ADVERTENCIA:

Evite toda posición de la mano que pueda exponer los dedos a la fresa a través de las áreas abiertas de la base de la fresadora. Los dedos que entren en la abertura de la base de la fresadora pueden resultar cortados o quemados seriamente.



ADVERTENCIA:

Para recortar laminados, siempre use la subbase para los mismos. Usar la fresadora sin una subbase o usar una subbase incorrecta puede causar la pérdida de control o lesiones serias.

AVISO:

Para evitar dañar el motor por recalentamiento, tenga cuidado de no cubrir con la mano las aberturas de ventilación.

Antes de encender la fresadora, teniendo desconectado el paquete de baterías, asegúrese de que la fresa esté firmemente apretada en el portaherramientas y de que esté debidamente ajustada la profundidad de corte. Nunca encienda la fresadora con la fresa tocando la pieza de trabajo.

Después de terminar un corte, aleje levemente la fresa de la superficie cortada. Apague la fresadora y espere a que se detenga completamente la fresa antes de retirar completamente la herramienta de la superficie de trabajo.

Al cortar, acomode la base de la fresadora en la superficie de trabajo y sostenga firmemente el cuerpo de la fresadora con la mano. Asegúrese de que la fresadora esté funcionando a plena velocidad antes de tocar la pieza de trabajo.

DIRECCIÓN DE AVANCE Y EMPUJE

Vea las figuras 7 y 8, página 11.

El motor de la fresadora y la fresa giran a la derecha. Esto da a la herramienta una leve tendencia a girar hacia la izquierda en

las manos, especialmente cuando el motor arranca.

Avance la fresadora hacia la pieza de trabajo de izquierda a derecha. Cuando se avanza la fresadora de izquierda a derecha, el giro de la fresa tira de la fresadora hacia la pieza de trabajo. Si se avanza en la dirección opuesta, las fuerzas de rotación de la fresa girando tienden a empujar la fresadora alejándola de la pieza de trabajo, causando así un contragolpe. Esto podría causar la pérdida de control de la fresadora.

Debido a la velocidad de giro sumamente alta de la fresa al avanzar la fresadora correctamente, existe muy poco contragolpe en condiciones normales. Sin embargo, si la fresa toca un nudo, fibras duras u objetos extraños que afecten el avance normal de la acción de corte, habrá un leve contragolpe. El contragolpe es suficiente para afectar la rectitud del corte si no se está preparado. Dicha patada siempre ocurre en la dirección opuesta a la dirección de giro de la fresa.

Para protegerse contra un contragolpe como tal, planifique los ajustes y la dirección de avance para que siempre esté empujando la herramienta —o mantenerla contra lo que esté utilizando como guía para el corte— en la misma dirección en que se mueve el borde de corte de la fresa. El empuje debe hacerse en una dirección tal que mantenga los bordes afilados de la fresa cortando de forma continua y recta en madera nueva (sin cortar).

VELOCIDAD DE AVANCE CORRECTA

Todo recorte y fresado de cantos profesional depende de una cuidadosa preparación y de seleccionar la velocidad de avance adecuada.

La velocidad correcta de avance depende de:

- **La dureza y contenido de humedad de la pieza de trabajo**
- **La profundidad de corte.** Es necesario no excederse más de 3,2 mm (1/8 pulg.) de la profundidad de corte correspondiente a la velocidad correcta de avance.
- **El diámetro de corte de la fresa.** El tamaño máximo de la fresa en las operaciones de redondeado y fresado de cantos es 9,5 mm (3/8 pulg.). El tamaño máximo de la fresa recta en las operaciones de rebajado y ranurado es 6,35 mm (1/4 pulg.).

Al moldurar cantos en maderas blandas como el pino, pueden usarse velocidades de avance más elevadas. Al moldurar cantos en maderas duras como el roble, debe usarse una velocidad más lenta de avance. En todos los tipos de maderas, al fresar ranuras poco profundas se requiere una velocidad de avance más lenta.

Hay varios factores que le ayudarán a seleccionar la velocidad de avance correcta.

- Escoja una velocidad que no aminore la velocidad de giro del motor de la fresadora.
- Escoja una velocidad a la cual la fresa avance firme y seguramente para producir una espiral continua de virutas uniformes o un canto recortado liso en el laminado, según sea el caso.
- Escuche el sonido del motor de la fresadora. Un sonido agudo y forzado significa que está avanzando la unidad con demasiada rapidez.

FUNCIONAMIENTO

- Revise el avance logrado en cada corte. Un avance demasiado lento puede causar que la fresadora se desplace en una dirección errónea con respecto a la línea de corte original. Un avance forzado aumenta el esfuerzo de sostener la herramienta y puede causar daños a la herramienta.
- Observe las virutas generadas al cortar. Si se avanza la fresadora con demasiada lentitud se quema la madera. Si se avanza la fresadora con demasiada rapidez, corta virutas muy grandes de madera y deja marcas de gubia.

Siempre efectúe un corte de prueba en una pieza de desecho de madera igual a la de la pieza de trabajo antes de comenzar. Al utilizar la fresadora siempre sujétela y sosténgala firmemente con ambas manos.

Al fresar ranuras en todo tipo de madera, si se usa la fresa recta del tamaño máximo 6,35 mm (1/4 pulg.), se fresa a la profundidad de corte máxima [3,2 mm (1/8 pulg.)], o la pieza de trabajo es dura de cortar, debe ser muy lenta la velocidad correcta de avance. Un corte a contrahilo requiere un paso más lento que un corte idéntico al hilo en la misma pieza de trabajo. No hay reglas fijas. A base de práctica y uso se aprende la velocidad de avance adecuada.

AVANCE FORZADO

Vea la figura 9, page 12.

La fresadora es una herramienta de velocidad sumamente elevada (29 000 RPM), y efectúa cortes limpios y uniformes si se le permite funcionar libremente sin la sobrecarga de un avance forzado. Tres factores que causan un “avance forzado” son el tamaño de la fresa, la profundidad de corte y las características de la pieza de trabajo. Cuanto más grande es la fresa o más profundo el corte, mayor será la lentitud de avance de la fresadora. Si la madera es muy dura, nudosa, gomosa o húmeda, debe bajarse la velocidad de la operación aún más.

Un recortado y un moldurado de cantos limpio y uniforme únicamente se logra cuando la fresa gira a velocidades relativamente altas y corta trozos muy pequeños para producir partículas minúsculas y bien cortadas. Si se fuerza la fresadora a avanzar con demasiada rapidez, la velocidad de giro de la fresa será menor que la normal en relación con su movimiento de avance. Como resultado, la fresa debe cortar trozos más grandes al girar. Trozos más grandes significan virutas más grandes y un acabado más áspero. Debido a que los cortes más grandes requieren más potencia, el motor podría sobrecalentarse y podría acortarse la vida de servicio de la pila.

En condiciones de avance sumamente forzado, la velocidad relativa de la fresa puede reducirse tanto – y los trozos que tiene que cortar son tan grandes – que las virutas se arrancan parcialmente en vez de cortarse completamente. Esto causa astillamientos y marcas en la pieza de trabajo, y probablemente dañe la herramienta.

AVANCE DEMASIADO LENTO

Vea la figura 9, página 12.

Al avanzar la fresadora muy lentamente hacia la pieza de trabajo, al girar la fresa no penetrará en la madera con la rapidez suficiente para cortar apropiadamente; en vez de ello, raspa partículas de aserrín. El raspado produce calor, lo cual puede cristalizar, quemar o estropear el corte y puede calentar

excesivamente la fresa. Las fresas desafiladas también pueden contribuir a las raspaduras y quemaduras.

Cuando la fresa está raspando en vez de cortar, se dificulta más controlar la fresadora. Cuando el motor está prácticamente sin carga alguna, la fresa gira casi a la velocidad máxima, y tiene una tendencia, mucho mayor que la normal, para rebotar de los lados del corte, especialmente si la madera tiene fibras pronunciadas con áreas duras y blandas. El corte producido puede tener lados ondulados en vez de ser rectos.

PROFUNDIDAD DEL CORTE

Vea la figura 10, página 12.



ADVERTENCIA:

Si la profundidad de corte deseada es mayor de la que puede cortarse en una sola pasada, efectúe los cortes en dos o más pasadas. No corte más de 3,2 mm (1/8 pulg.) en una sola pasada. Una profundidad de corte excesiva puede producir una pérdida de control y posibles lesiones serias.

La profundidad de corte afecta la velocidad de avance y la calidad del corte. Usando la profundidad de corte adecuada puede aminorarse la posibilidad de dañar el motor de la fresadora y la fresa.

Un corte más profundo requiere una velocidad de corte más lenta que un corte menos profundo. No se recomienda efectuar un corte tan profundo que disminuya la velocidad de avance de manera que la fresa esté raspando en lugar de cortar.

Un corte demasiado profundo puede causar el rompimiento de las fresas pequeñas. Las fresas de 1,6 mm (1/16 pulg.) de diámetro se rompen fácilmente cuando se someten a un empuje lateral muy fuerte. Una fresa grande quizá no se rompa, pero si se intenta un corte demasiado profundo, puede resultar un corte áspero, y podría ser muy difícil guiar y controlar la fresa como se desee.

Se recomienda no exceder profundidades de corte mayores de 3,2 mm (1/8 pulg.) por pasada, independientemente del tamaño de la fresa o de la suavidad o estado de la pieza de trabajo. Así se produce un corte de mayor calidad.

Para efectuar cortes más profundos, es necesario efectuar tantas pasadas sucesivas cuantas se requieran, bajando la fresa 3,2 mm (1/8 pulg.) en cada nueva pasada. Con el fin de ahorrar tiempo, realice todos los cortes necesarios a la misma profundidad, y después baje la fresa para la pasada siguiente. Así se asegura también una profundidad uniforme al terminar la pasada final.

MONTAJE DE LA SUBBASE CUADRADA (NO INCLUYE)

Vea la figura 11, página 12.

- Retire el paquete de baterías.
- Coloque la tupa en posición invertida para extraer los cuatro tornillos de la subbase y la subbase redonda.
- Fije la subbase cuadrada usando los mismos tornillos.
- Apriete los tornillos firmemente, pero no demasiado.

FUNCIONAMIENTO

ADVERTENCIA:

Para recortar laminados, siempre use la base. Usar la tupi sin una base o usar una base incorrecta puede causar lesiones serias.

UTILIZACIÓN DE LA GUÍA PARA CANTOS (NO INCLUYE)

Vea las figuras 12 y 13, página 12.

La guía para cantos sirve para recortar o cortar cantos rectos o borde curvo.

- Retire el paquete de baterías.

- Enrosque las barras guía en la base y apriételas con un destornillador de punta plana.
- Monte la guía para cantos en las barras guía.
- Instale dos tornillos de apriete manual en la guía para cantos.
- Mida la distancia adecuada para compensar la fresa, o, si está recortando, coloque la fresa en el canto de la pieza de trabajo.
- Apriete los dos tornillos de apriete manual con el fin de asegurar la guía para cantos.
- Réinstalar el paquete de batería.
- Desplace la tupi a lo largo de la pieza de trabajo manteniendo la guía para cantos constantemente en contacto con el canto de dicha pieza.

MANTENIMIENTO

ADVERTENCIA:

Al dar servicio a la unidad, sólo utilice piezas de repuesto idénticas. El empleo de piezas diferentes podría causar un peligro o dañar el producto.

MANTENIMIENTO GENERAL

Evite el empleo de solventes al limpiar piezas de plástico. La mayoría de los plásticos son susceptibles a diferentes tipos de solventes comerciales y pueden resultar dañados. Utilice paños limpios para eliminar la suciedad, el polvo, el aceite, la grasa, etc.

ACCESORIOS

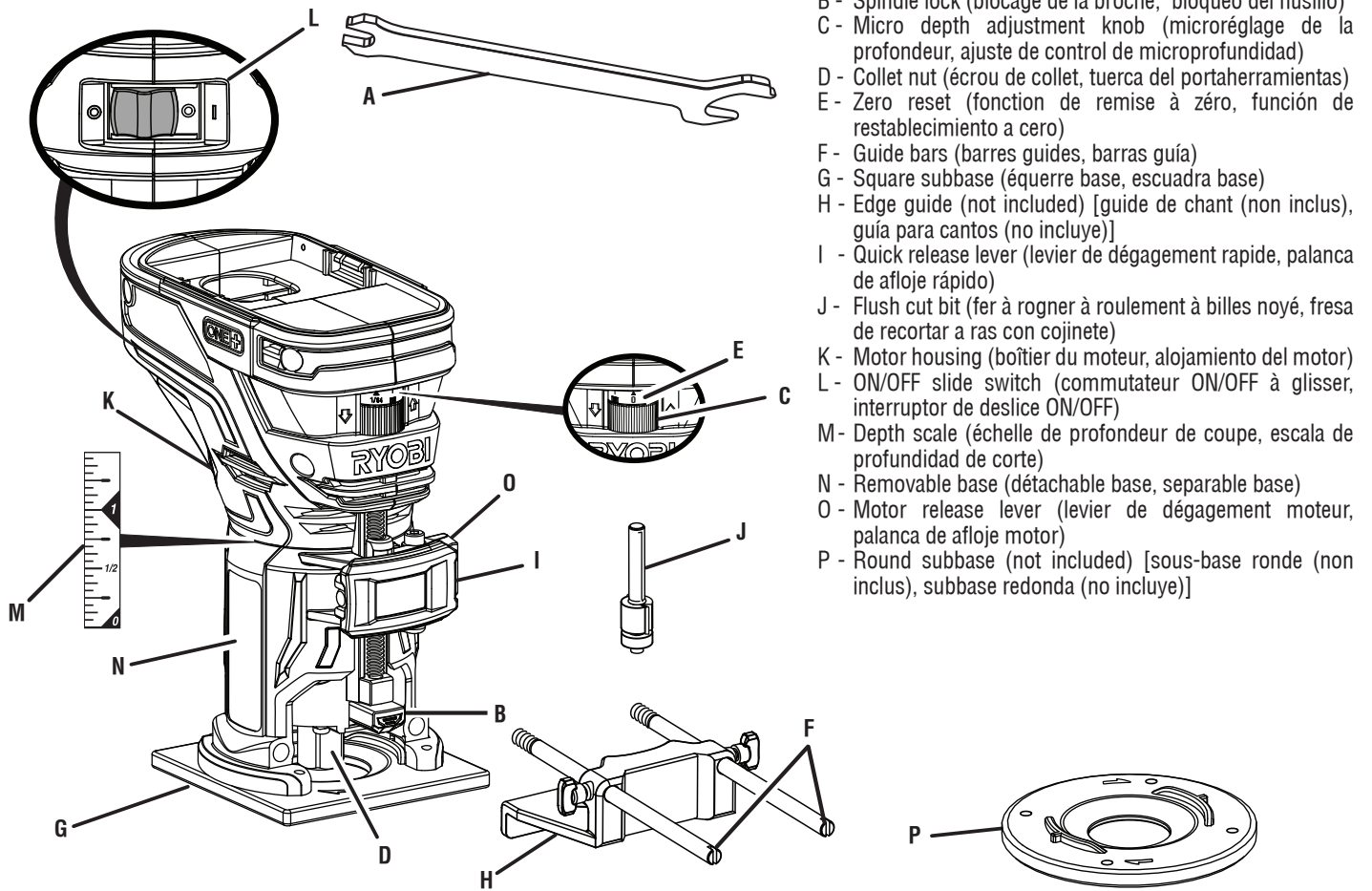
Estos accesorios pueden encontrarse en el centro de servicio:

- Subbase redonda..... 519233001
- Guía para cantos 640795001

ADVERTENCIA:

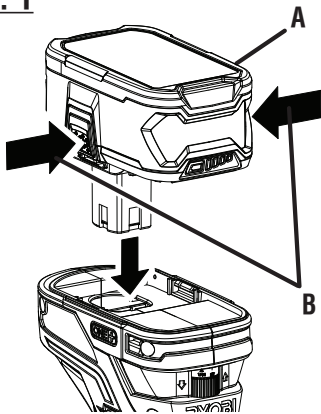
Arriba se señalan los aditamentos y accesorios disponibles para usarse con esta herramienta. No utilice ningún aditamento o accesorio que no haya sido recomendado por el fabricante de esta herramienta. El empleo de aditamentos o accesorios no recomendados puede causar lesiones personales graves.

P601



- A - Wrench (clé, llave)
- B - Spindle lock (blocage de la broche, bloqueo del husillo)
- C - Micro depth adjustment knob (microréglage de la profondeur, ajuste de control de microprofundidad)
- D - Collet nut (écrou de collet, tuerca del portaherramientas)
- E - Zero reset (fonction de remise à zéro, función de restablecimiento a cero)
- F - Guide bars (barres guides, barras guía)
- G - Square subbase (équerre base, escuadra base)
- H - Edge guide (not included) [guide de chant (non inclus), guía para cantos (no incluye)]
- I - Quick release lever (levier de dégagement rapide, palanca de afloje rápido)
- J - Flush cut bit (fer à rogner à roulement à billes noyé, fresa de recortar a ras con cojinete)
- K - Motor housing (boîtier du moteur, alojamiento del motor)
- L - ON/OFF slide switch (commutateur ON/OFF à glisser, interruptor de deslice ON/OFF)
- M - Depth scale (échelle de profondeur de coupe, escala de profundidad de corte)
- N - Removable base (détachable base, separable base)
- O - Motor release lever (levier de dégagement moteur, palanca de afloje motor)
- P - Round subbase (not included) [sous-base ronde (non inclus), subbase redonda (no incluye)]

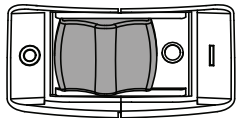
Fig. 1



- A - Battery pack (bloc-pile, paquete de baterías)
- B - Latches (loquets, pestillos)

Fig. 2

OFF/ARRÊT/APAGADO



ON/MARCHE/ENCENDIDO

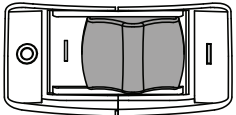
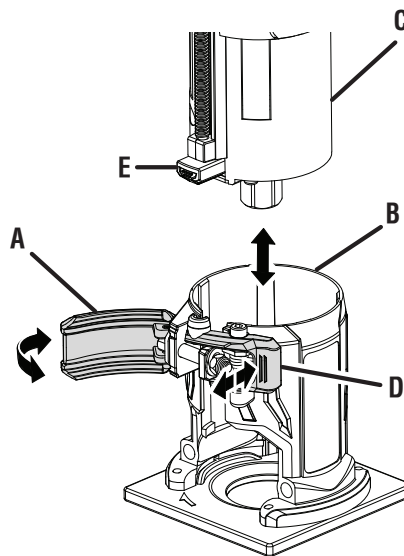
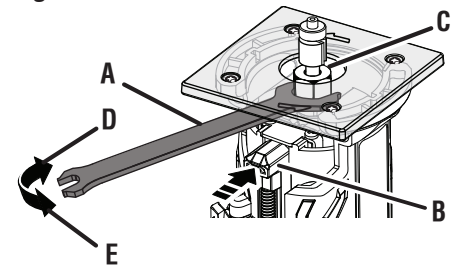


Fig. 3



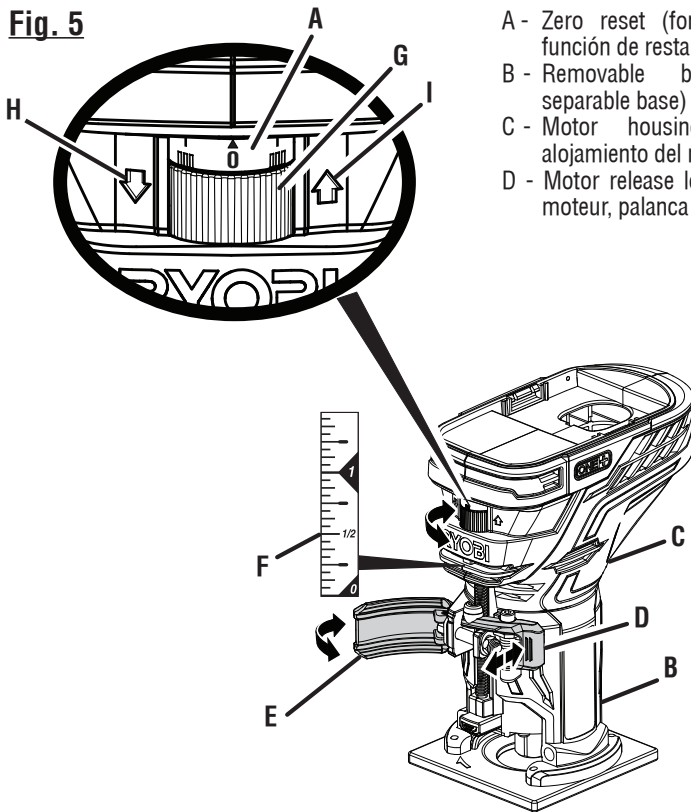
- A - Quick release lever (levier de dégagement rapide, palanca de afloje rápido)
- B - Removable base (détachable base, separable base)
- C - Motor housing (boîtier du moteur, alojamiento del motor)
- D - Motor release lever (levier de dégagement moteur, palanca de afloje motor)
- E - Spindle lock (blocage de la broche, bloqueo del husillo)

Fig. 4



- A - Wrench (clé, llave de tuercas)
- B - Spindle lock (blocage de la broche, bloqueo del husillo)
- C - Collet nut (écrou de collet, tuerca del portaherramientas)
- D - Tighten (verrouiller, asegurar)
- E - Loosen (desserrer, aflojar)

Fig. 5



- A - Zero reset (fonction de remise à zéro, función de restablecimiento a cero)
- B - Removable base (détachable base, separable base)
- C - Motor housing (boîtier du moteur, alojamiento del motor)
- D - Motor release lever (levier de dégagement moteur, palanca de afloje motor)

- E - Quick release lever (levier de dégagement rapide, palanca de afloje rápido)
- F - Depth scale (échelle de profondeur de coupe, escala de profundidad de corte)
- G - Micro depth adjustment knob (microréglage de la profondeur, ajuste de control de microprofundidad)

- H - Down arrow (pointant vers le bas, hacia abajo)
- I - Up arrow (pointant vers le haute, hacia arriba)

Fig. 6

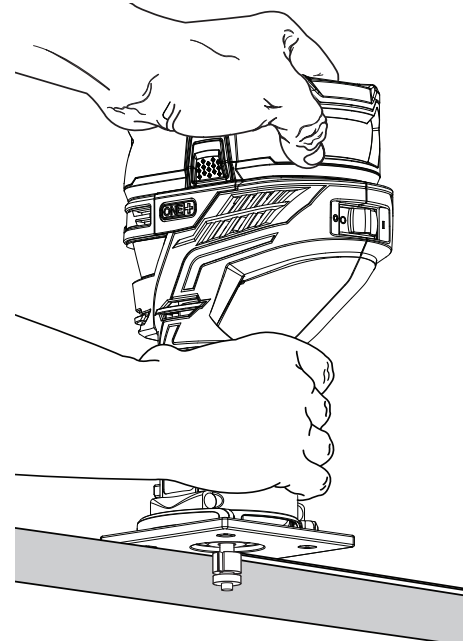
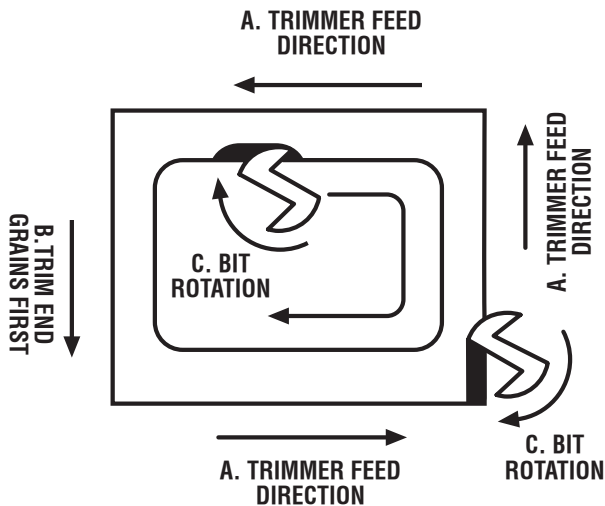
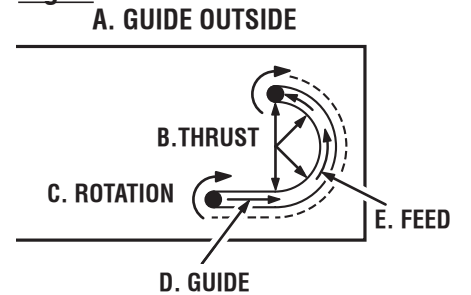


Fig. 7

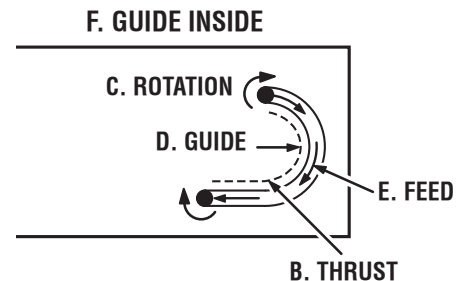


- A - Trimmer feed direction (direction d'engagement, subbase para laminados)
- B - Trim end grains first (rogner d'abord le grain en bout, pestillo de ajuste de profundidad)
- C - Bit rotation (rotation du fer, subbase para laminados)

Fig. 8



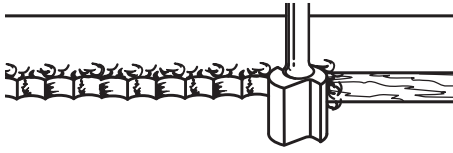
- A - Guide outside (guide à l'extérieur, guía en el exterior)
- B - Thrust (poussée, empuje)
- C - Rotation (rotation, rotación)



- D - Guide (guide, guía)
- E - Feed (avance, avance)
- F - Guide inside (guide à l'intérieur, guía en el interior)

Fig. 9

**TOO FAST
TROP RAPIDE
DEMASIADO RÁPIDO**



**TOO SLOW
TROP LENTE
DEMASIADO LENTO**

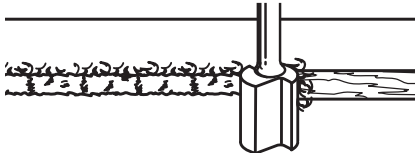
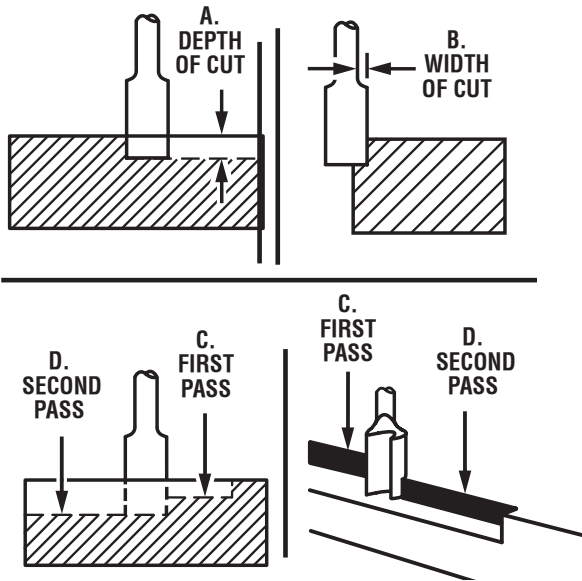
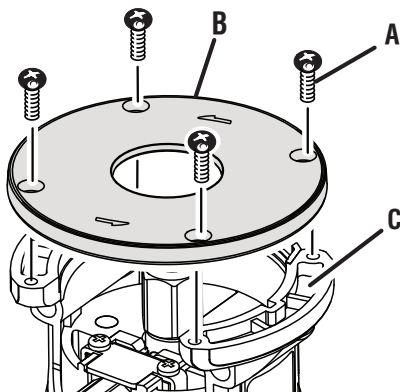


Fig. 10



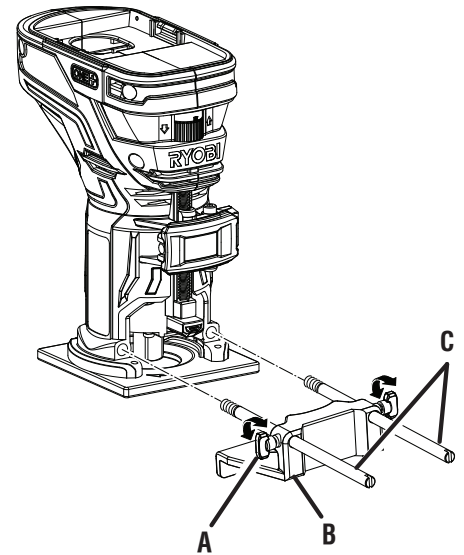
- A - Depth of cut (profondeur de coupe, profundidad de corte)
- B - Width of cut (largeur de coupe, ancho de corte)
- C - First pass (première passe, primera pasada)
- D - Second pass (deuxième passe, segunda pasada)

Fig. 11



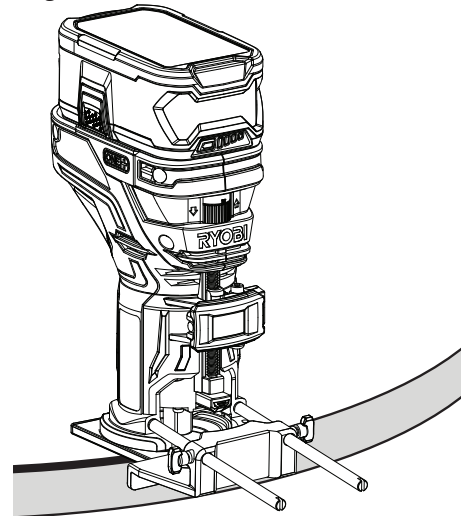
- A - Screws (vis, tornillo)
- B - Round subbase Round subbase (not included) [sous-base ronde (non inclus), subbase redonda (no incluye)]
- C - Removable base (détachable base, separable base)

Fig. 12



- A - Thumb screws (not included) [vis papillon (non inclus), tornillos de apriete manual (no incluye)]
- B - Edge guide (not included) [guide de chant (non inclus), guía para cantos (no incluye)]
- C - Guide bars (not included) [barres guides (non inclus), barras guía (no incluye)]

Fig. 13



NOTES / NOTES / NOTAS



OPERATOR'S MANUAL / 18V PALM ROUTER

MANUEL D'UTILISATION / TOUPIE DE TYPE PAUME DE 18 V

MANUAL DEL OPERADOR / FRESADORA DE MANO DE 18 V

P601

To request service, purchase replacement parts,
locate an Authorized Service Center and obtain Customer or Technical Support:

Visit **www.ryobitools.com** or call **1-800-525-2579**

If any parts or accessories are damaged or missing,
do not return this product to the store. Call **1-800-525-2579** for immediate service.

Please obtain your model and serial number from the product data plate.
This product is covered under a 3-year limited Warranty. Proof of purchase is required.

MODEL NUMBER _____ SERIAL NUMBER _____

RYOBI is a registered trademark of Ryobi Limited and is used pursuant to a license granted by Ryobi Limited.

Pour faire une demande de réparations ou obtenir des pièces de rechange, trouver un
Centre de réparations agréé pour obtenir un soutien technique ou le Service à la clientèle :

Visiter **www.ryobitools.com** ou en téléphonant au **1-800-525-2579**

Si des pièces ou accessoires sont manquantes ou endommagées, ne pas retourner
ce produit au magasin. Appeler immédiatement au **1-800-525-2579** pour obtenir de l'aide.

Inscrire les numéros de modèle et de série inscrits sur la plaque d'identification du produit.
Ce produit est couvert par une garantie limitée de trois (3) ans. Une preuve d'achat est exigée.

NUMÉRO DE MODÈLE _____ NUMÉRO DE SÉRIE _____

RYOBI est une marque déposée de Ryobi Limited et est utilisée en vertu d'une licence accordée par Ryobi Limited.

Para obtener servicio, comprar piezas de repuesto, localizar un centro de servicio autorizado
y obtener Servicio o Asistencia Técnica al Consumidor:

Visite **www.ryobitools.com** o llame al **1-800-525-2579**

Si hay alguna pieza ou accesorios dañada o faltante, no devuelva este producto a la tienda.
Llame al **1-800-525-2579** para servicio técnico inmediato.

Obtenga su modelo y número de serie de la placa de datos del producto.
Este producto está cubierto con una garantía limitada de 3 años. Se solicita prueba de la compra.

NÚMERO DE MODELO _____ NÚMERO DE SERIE _____

RYOBI es una marca registrada de Ryobi Limited y se utiliza conforme a una licencia otorgada por Ryobi Limited.

ONE WORLD TECHNOLOGIES, INC.

1428 Pearman Dairy Road, Anderson, SC 29625 • Phone 1-800-525-2579

États-Unis, Téléphone 1-800-525-2579 • USA, Teléfono 1-800-525-2579

www.ryobitools.com