

1720 Storability® 31"W x 5/8"H x 14-1/4"D Wire Shelf

Read all instructions completely before installing. Should you have any questions about your installation, please call Customer Service at 440-248-5480. Missing and damaged parts must be reported within 5 days from receipt of delivery.

Tools needed for this installation (not supplied with kit): Level – Tape Measure

Parts Listing

Part Number	Quantity	Description
1720	1	31" Wire Shelf
	1	Left Lock-On Hanging Bracket
	1	Right Lock-On Hanging Bracket

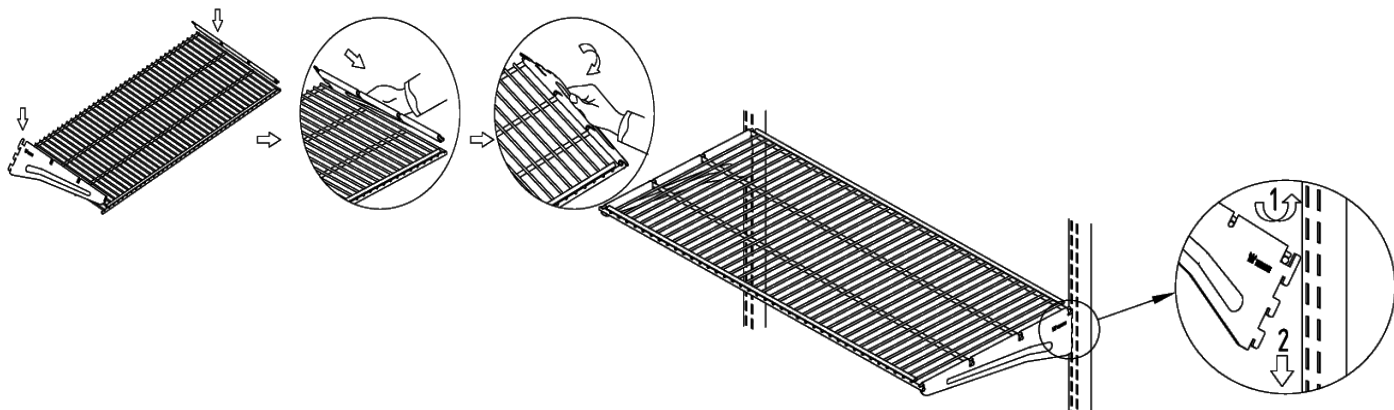
Model 1720 31" Wire Shelf mounts on 2 hang rails spaced 30-3/8" apart measured inside (between) hang rails

(Top Track model 1700 and Hang Rail Model 1701 purchased separately)

Accessory Installation: (see image below) make sure that brackets attach over the top of the wire shelf which has a flat surface. Attach left and right lock-on hanging brackets over each side. Wire shelf should be installed level and in the inside slot positions of each hang rail spaced 30-3/8" apart. If accidental binding occurs use soft rubber mallet to help remove accessory and protect paint. To attach and detach push unit upward into the rail slots and push in or pull out at an angle.

Warranty information: Triton Products warrants to the original owner that this product is free from defects in material and workmanship for a period of two years from the date of the original purchase. If this product is defective when used as intended under normal household conditions within the specified period, Triton will replace the product, send a replacement part or issue a refund (at our option) when the consumer provides a proof of purchase (either a bill of sale, receipted invoice or other proof that the product is within the warranty period), along with a full description of the defect.

Liability: Triton Products and/or its Reseller's liability are limited to 100% of the purchase price of the product.



Please contact our Customer Service Division with any questions at:
30700 D Carter Street · Solon, OH 44139 · (P) 440.248.5480 · support@tritonproducts.com

For a full line of products visit www.tritonproducts.com

1 INS3522