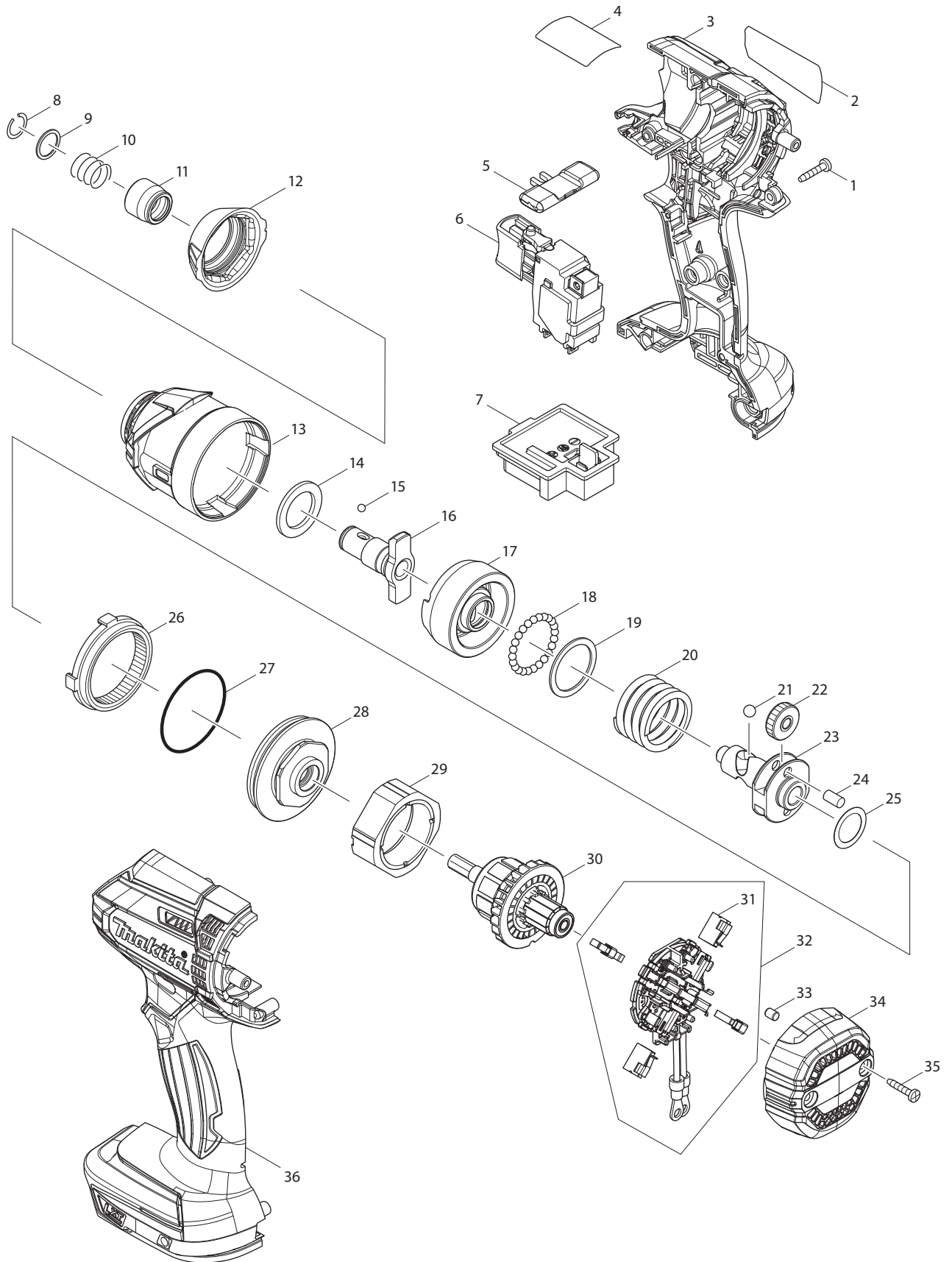


# Model XPH01,XPH01CW,XPH01RW,XPH01Z Parts List

A = Standard Equipment

O= Circuit Diagram

Item#	Part#	Description	Q'ty	Unit
001	815C82-5	XPH01 NAME PLATE	1	XPH01, XPH01Z
	802R26-4	XPH01CW NAME PLATE	1	XPH01CW
	804V36-1	XPH01RW NAME PLATE	1	XPH01RW
002	188971-2	HOUSING SET	1 PC.	XPH01, XPH01Z
	188970-4	HOUSING SET	1 PC.	XPH01CW, XPH01RW
	C10 263005-3	RUBBER PIN 6	2 PC.	
	D10	INC. 19		
003	266429-2	TAPPING SCREW 3X16	9 PC.	
004	126289-3	SPEED CHANGE LEVER ASSEMBLY	1 PC.	
	C10 233438-6	COMPRESSION SPRING 4	2 PC.	
005	419250-0	F/R CHANGE LEVER	1 PC.	
006	650731-7	SWITCH C3HZ-1A-TLMS	1	
007	620012-3	LED CIRCUIT	1 PC.	
008	643852-2	TERMINAL	1 PC.	
009	251468-5	- FLAT HEAD SCREW M6X22	1 PC.	
010	766008-1	KEYLESS DRILL CHUCK 13	1 PC.	
011	126460-9	GEAR ASSEMBLY	1	
012	638425-4	YOKE UNIT	1 PC.	
013	619263-3	ARMATURE	1 PC.	
014	638494-5	BRUSH HOLDER COMPLETE	1 PC.	
015	CB440	CARBON BRUSH CB-440 (195021-6)	1 SET	
016	263032-0	RUBBER PIN 4	2 PC.	
017	452205-2	REAR COVER	1 PC.	XPH01, XPH01Z
	452202-8	REAR COVER	1 PC.	XPH01CW, XPH01RW
018	266429-2	TAPPING SCREW 3X16	2 PC.	
019	188971-2	HOUSING SET	1 PC.	XPH01, XPH01Z
	188970-4	HOUSING SET	1 PC.	XPH01CW, XPH01RW
	C10 263005-3	RUBBER PIN 6	2 PC.	
	D10	INC. 2		
020	232182-2	LEAF SPRING	1 PC.	
021	689170-4	HEAT SINK	1 PC.	
022	911013-5	PAN HEAD SCREW M3X10	1 PC.	
023	802P77-5	CAUTION LABEL	1	
024	424476-1	CUSHION	1 PC.	
A01	251314-2	+ SCREW M4X12	1 PC.	XPH01, XPH01CW, XPH01RW
A02	346449-3	HOOK	1 PC.	XPH01, XPH01CW, XPH01RW
A03	784637-8	+ - BIT 2-45	1 PC.	XPH01, XPH01CW, XPH01RW
A04	142146-7	PLASTIC CASE COMPLETE	1 PC.	XPH01
	141856-3	PLASTIC CASE COMPLETE	1 PC.	XPH01CW, XPH01RW
	C10 162302-3	LATCH	2 PC.	XPH01CW, XPH01RW
	C20 324207-7	SHAFT	1 PC.	XPH01CW, XPH01RW
	C30 451749-9	HANDLE	1 PC.	XPH01CW, XPH01RW
A05	450128-8	BATTERY COVER	1 PC.	XPH01, XPH01CW
A06	***DC18RC	DC18RC FAST CHARGER	1 PC.	XPH01, XPH01CW, XPH01RW
A07	BL1830	BATTERY BL1830 SET	2 SET	XPH01
	BL1815	BATTERY BL1815 SET		XPH01CW
	BL1820	BATTERY BL1820 SET		XPH01RW

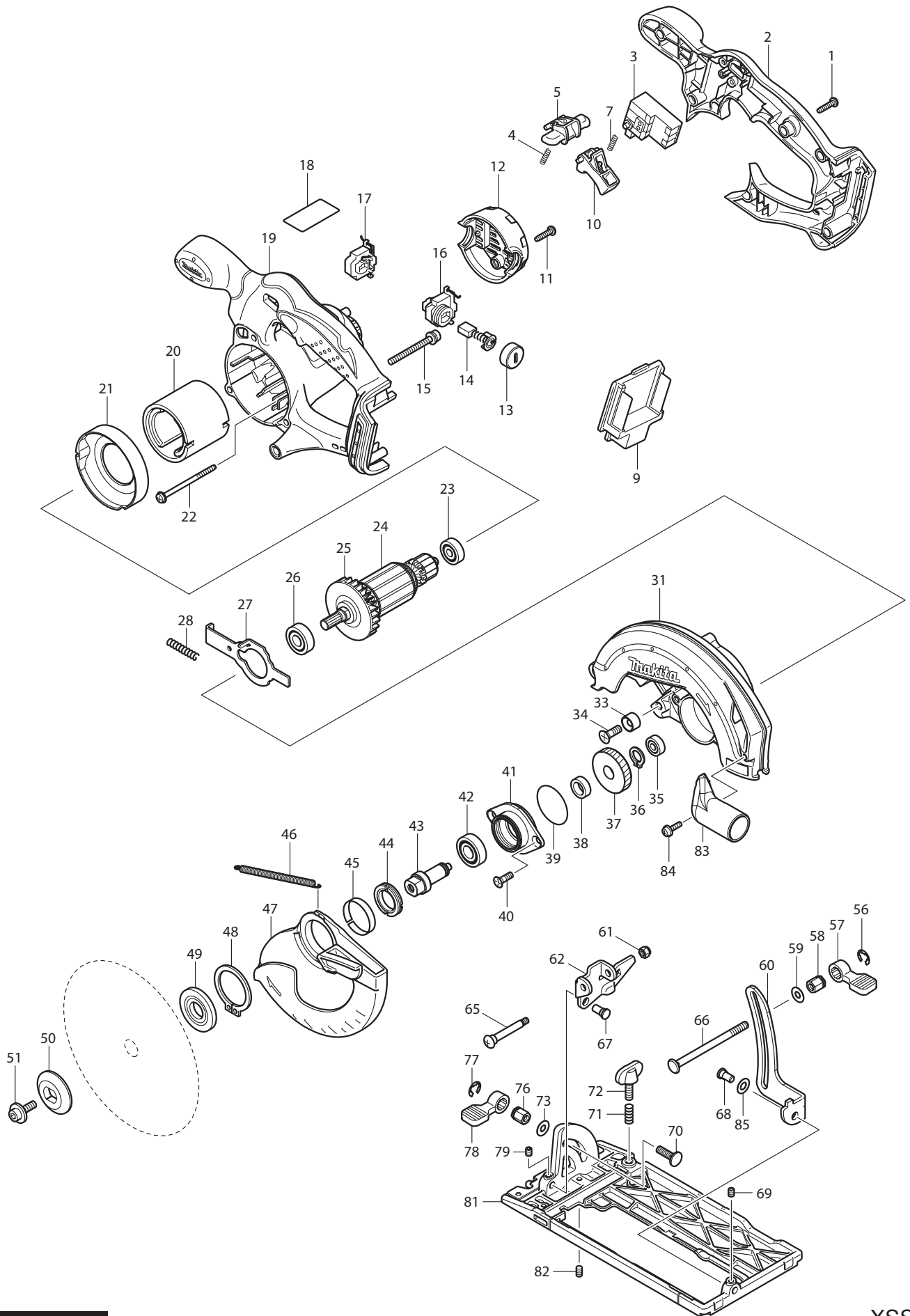


# Model XDT11R Parts list

A = Standard Equipment

O = Circuit Diagram

Item#	Part#	Description	Q'ty	Unit
001	266429-2	TAPPING SCREW 3X16	8	PC.
002	851E28-9	XDT11 NAME PLATE	1	
003	183B63-4	HOUSING SET	1	
	C10 263005-3	RUBBER PIN 6	2	PC.
	D10	INC. 36		
004	806W83-4	CAUTION LABEL	1	
005	455053-8	F/R CHANGE LEVER	1	PC.
006	650751-1	SWITCH	1	
	C10 620445-2	LED CIRCUIT	1	
007	643852-2	TERMINAL	1	PC.
008	231951-8	RING SPRING 11	1	PC.
009	267085-1	FLAT WASHER 12	1	PC.
010	233005-7	COMPRESSION SPRING 13	1	PC.
011	326068-1	BIT SLEEVE	1	PC.
012	424738-7	BUMPER	1	
013	143299-5	HAMMER CASE COMPLETE	1	
014	261151-6	NYLON WASHER 19	1	PC.
015	216040-0	STEEL BALL 3.5	2	PC.
016	326563-1	ANVIL M	1	
017	326564-9	HAMMER	1	
018	216040-0	STEEL BALL 3.5	24	PC.
019	267175-0	FLAT WASHER 24	1	PC.
020	234251-5	COMPRESSION SPRING 25	1	PC.
021	216041-8	STEEL BALL 5.6	2	
022	227362-3	SPUR GEAR 22	2	PC.
023	326562-3	SPINDLE	1	
024	256253-1	PIN 5	2	PC.
025	253314-8	THIN WASHER 15	1	PC.
026	227378-8	INTERNAL GEAR 51	1	
027	213507-9	O RING 40	1	PC.
028	143298-7	BEARING BOX COMPLETE	1	
029	638396-5	YOKE UNIT	1	PC.
030	619377-8	ARMATURE	1	
031	CB448	CARBON BRUSH CB-448 (196855-0)	2	
032	632F23-2	BRUSH HOLDER COMPLETE	1	
	D10	INC. 31		
033	263032-0	RUBBER PIN 4	4	PC.
034	456044-2	REAR COVER	1	
035	266429-2	TAPPING SCREW 3X16	2	PC.
036	183B63-4	HOUSING SET	1	
	C10 263005-3	RUBBER PIN 6	2	PC.
	D10	INC. 3		
A01	346449-3	HOOK	1	PC.
A02	266622-8	+ TRUSS HEAD SCREW M4X12	1	PC.
A03	141856-3	PLASTIC CARRYING CASE COMPLETE	1	PC. (XDT11R)
	C10 162302-3	LATCH	2	PC. (XDT11R)
	C20 324207-7	SHAFT	1	PC. (XDT11R)
	C30 451749-9	HANDLE	1	PC. (XDT11R)
A04	450128-8	BATTERY COVER	1	PC. (XDT11R)
A05	***DC18RC	DC18RC FAST CHARGER	1	PC. (XDT11R)
A06	BL1820B	BATTERY BL1820B SET	2	(XDT11R)
D01	652045-0	+PAN HEAD SCREW M3.5X5	2	PC.



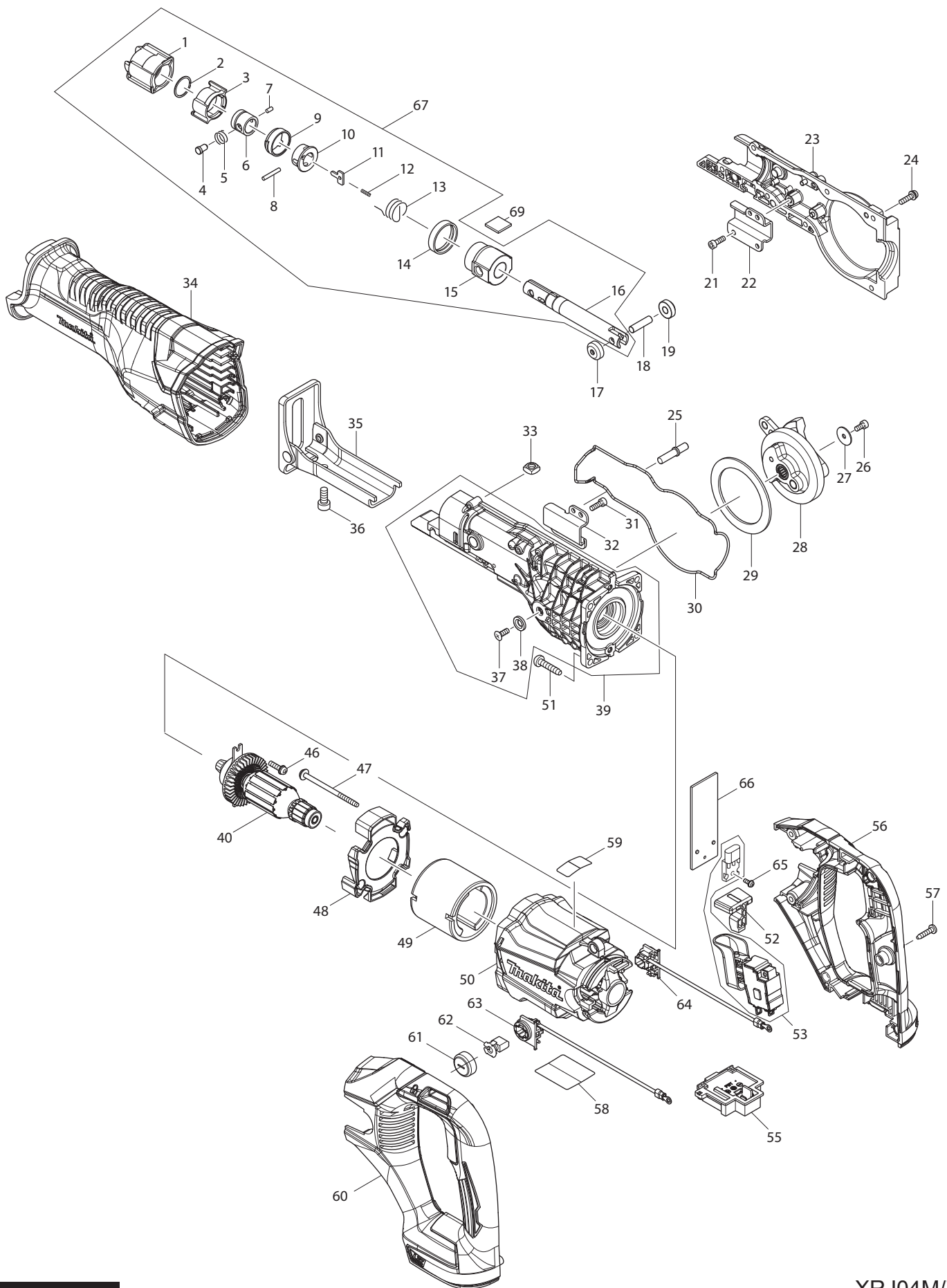
## Model XSS02Z Parts List

A = Standard Equipment

O = Circuit Diagram

Item#	Part#	Description	Q'ty	Unit
001	265995-6	TAPPING SCREW 4X18	5	PC.
002	141472-1	HANDLE COVER COMPLETE	1	PC.
003	651976-0	SWITCH TG73BD	1	PC.
004	231469-9	COMPRESSION SPRING 4	1	PC.
005	419664-3	LOCK OFF LEVER	1	PC.
007	231469-9	COMPRESSION SPRING 4	1	PC.
009	644808-8	TERMINAL	1	PC.
010	419665-1	SWITCH LEVER	1	PC.
011	265995-6	TAPPING SCREW 4X18	2	PC.
012	419281-9	REAR COVER	1	PC.
013	643829-7	HOLDER CAP	2	PC.
014	CB441	CARBON BRUSH CB-441 (195022-4)	1	SET
015	911263-2	PAN HEAD SCREW M5X40	3	PC.
016	643897-0	BRUSH HOLDER	1	PC.
017	643898-8	BRUSH HOLDER	1	PC.
018	815L52-8	XSS02 NAME PLATE	1	
019	142597-4	MOTOR HOUSING COMPLETE	1	
	C10	803K44-3 CAUTION LABEL	1	
020	638571-3	YOKE UNIT	1	PC.
021	419285-1	BAFFLE PLATE	1	PC.
022	266292-3	TAPPING SCREW 4X65	2	PC.
023	210045-2	BALL BEARING 627DDW	1	PC.
024	510095-0	ARMATURE ASS'Y 18V	1	PC.
	D10	INC. 23,25,26		
025	241869-5	FAN 55	1	PC.
026	211061-7	BALL BEARING 6000LLB	1	PC.
027	346059-6	SHAFT LOCK	1	PC.
028	233092-6	COMPRESSION SPRING 5	1	PC.
031	142596-6	BLADE CASE COMPLETE	1	
	C10	213434-0 O RING 26	1	PC.
	C20	802U29-6 CAUTION LABEL	1	
033	262049-0	RUBBER RING 6	1	PC.
034	251368-9	+ COUNTERSUNK SCREW M6	1	PC.
035	210028-2	BALL BEARING 606ZZ	1	PC.
036	961052-5	RETAINING RING S-12	1	PC.
037	227156-6	SPUR GEAR 52	1	PC.
038	257173-2	RING 12	1	PC.
039	213512-6	O RING 39	1	PC.
040	265034-2	+ COUNTERSUNK HEAD SCREW M5X16	2	PC.
041	318009-1	BEARING BOX	1	PC.
042	210109-2	BALL BEARING 6001DDW	1	PC.
043	324626-7	SPINDLE	1	PC.
044	285845-9	BEARING RETAINER 19-29	1	PC.
045	345469-4	THICKNESS RING	1	PC.
046	231821-1	TENSION SPRING 3	1	PC.
047	419280-1	SAFETY COVER	1	PC.
048	961152-1	RETAINING RING (EXT) S-34	1	PC.
049	224411-7	INNER FLANGE 35	1	PC.
050	224409-4	OUTER FLANGE 35	1	PC.
051	266133-3	HEX. SOCKET HEAD BOLT M6X20	1	PC.

056	961014-3	STOP RING E-8	1 PC.
057	272229-0	LEVER 40	1 PC.
058	252158-3	HEX.NUT M6	1 PC.
059	941151-9	FLAT WASHER 6	1 PC.
060	345658-1	DEPTH GUIDE	1 PC.
061	252103-8	HEX. LOCK NUT M5-8	1 PC.
062	345657-3	ANGULAR GUIDE	1 PC.
065	265056-2	+ PAN HEAD SCREW M5	1 PC.
066	266194-3	FLAT HEAD SCREW M6X90	1 PC.
067	256480-0	SHOULDER PIN 6-7	1 PC.
068	256480-0	SHOULDER PIN 6-7	1 PC.
069	266264-8	H.S.SET SCREW(FLAT POINT)M5X6	1 PC.
070	251919-8	CAP SQUARE NECK BOLT M6X20	1 PC.
071	231007-7	COMPRESSION SPRING 6	1 PC.
072	251896-4	SCREW M5X20	1 PC.
073	941151-9	FLAT WASHER 6	1 PC.
076	252133-9	HEX. NUT M6	1 PC.
077	961014-3	STOP RING E-8	1 PC.
078	272251-7	LEVER 30	1 PC.
079	266264-8	H.S.SET SCREW(FLAT POINT)M5X6	1 PC.
081	154831-0	BASE COMPLETE	1 PC.
082	266229-0	H.S.SET SCREW(CUP POINT)M5X8	1 PC.
085	253186-1	FLAT WASHER 7	1 PC.
A01	164095-8	GUIDE RULE	1 PC.
A05	783203-8	HEX. WRENCH 5	1 PC.
A08-1	A-96023	T.C.T SAW BLADE 165X15.88X16T	1 PC.
E01	620259-9	CONTROLLER	1





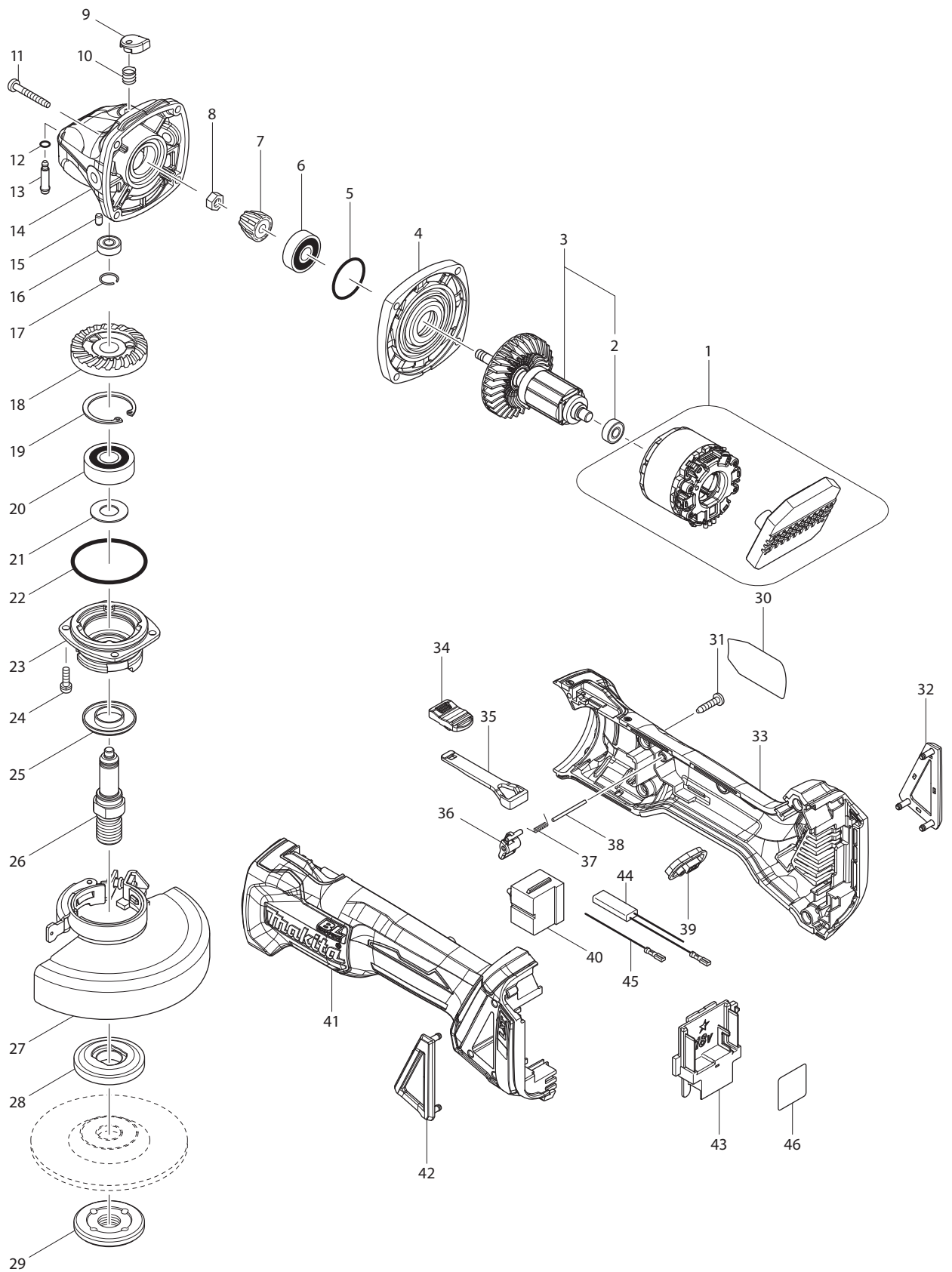
## Model XRJ04M/Z Parts List

A = Standard Equipment

O = Circuit Diagram

Item#	Part#	Description	Q'ty	Unit
001	424763-8	PROTECTOR	1	
002	257952-8	RETAINING RING (EXT) 18	1	PC.
003	310662-9	DRIVING SLEEVE	1	
004	256569-4	SHOULDER PIN 5	1	
005	234381-2	COMPRESSION SPRING 6	1	
006	331720-8	GUIDE SLEEVE	1	PC.
007	268094-3	PIN 3	1	PC.
008	256158-5	PIN 3	1	PC.
009	417791-0	DRIVING SLEEVE GUIDE	1	PC.
010	418311-3	SLEEVE	1	PC.
011	345214-7	PUSH PLATE	1	PC.
012	233025-1	COMPRESSION SPRING 2	1	PC.
013	231687-9	TORSION SPRING 17	1	PC.
014	424762-0	RUBBER RING	1	
015	143365-8	SLIDER GUIDE COMPLETE	1	PC.
	C10 213151-2	OIL SEAL 14	1	PC.
	C20 213174-0	X RING 14	1	PC.
016	161376-1	SLIDER	1	
017	310663-7	ROLLER	1	
018	268341-2	PIN 6	1	
019	310663-7	ROLLER	1	
021	922117-8	HEX. SOCKET HEAD BOLT M4X12	2	PC.
022	346936-2	ROD GUIDE R	1	
023	143381-0	GEAR HOUSING R COMPLETE	1	
024	911128-8	PAN HEAD SCREW M4X16	7	PC.
025	256567-8	SHOULDER PIN 6-8	1	
026	922107-1	HEX. SOCKET HEAD BOLT M4X8	1	PC.
027	267491-0	FLAT WASHER 4	1	
028	143377-1	GEAR COMPLETE	1	
029	267490-2	FLAT WASHER 54	1	
030	424764-6	SEAL RING	1	
031	922117-8	HEX. SOCKET HEAD BOLT M4X12	2	PC.
032	346935-4	ROD GUIDE L	1	
033	252157-5	SQUARE NUT M6	1	PC.
034	424768-8	INSULATION COVER	1	
035	161375-3	SHOE	1	
036	265531-8	HEX.SOCKET HEAD BOLT M6X14	1	PC.
037	912112-6	COUNTERSUNK HEAD SCREW M4X10	1	PC.
038	253825-3	FLAT WASHER 6	1	PC.
039	123511-9	GEAR HOUSING L ASSEMBLY	1	
	D10	INC. 37,38		
040	519392-1	ARMATURE ASS'Y 18V	1	
046	911128-8	PAN HEAD SCREW M4X16	2	PC.
047	266292-3	TAPPING SCREW 4X65	2	PC.
048	456207-0	BAFFLE PLATE	1	
049	638571-3	YOKE UNIT	1	PC.
050	456206-2	MOTOR HOUSING	1	
051	266041-8	TAPPING SCREW 5X25	4	PC.
052	456208-8	LOCK OFF BUTTON	1	

053-1	650760-0	SWITCH TG573FSB-9V	1
055	644808-8	TERMINAL	1 PC.
056	183C48-6	HANDLE SET	1
	C10 263005-3	RUBBER PIN 6	2 PC.
	D10	INC. 60	
057	266326-2	TAPPING SCREW 4X18	6 PC.
058	851R03-3	XRJ04 NAME PLATE	1
059	807Y38-4	CAUTION LABEL	1
060	183C48-6	HANDLE SET	1
	C10 263005-3	RUBBER PIN 6	2 PC.
	D10	INC. 56	
061	643829-7	HOLDER CAP	2 PC.
062	CB441	CARBON BRUSH SET CB-441 (195022-4)	1 SET
063	643505-3	BRUSH HOLDER	1
064	643506-1	BRUSH HOLDER	1
065	911011-9	PAN HEAD SCREW M3X10	1 PC.
066	689204-3	HEAT SINK	1
067	123510-1	SLIDER ASSEMBLY	1 PC.
	D10	INC. 1-16	
069	424858-7	FELT 16X16	1 PC.
A01	194502-7	RECIPRO SAW BLADE SET	1 SET
A03	821620-5	PLASTIC TOOL CASE	1 (XRJ04M)
	C10 162271-8	LATCH	2 PC. (XRJ04M)
A05	450128-8	BATTERY COVER	1 PC. (XRJ04M)
A06	***DC18RC	DC18RC FAST CHARGER	1 PC. (XRJ04M)
	D10	COMPO-PARTS	
A07	BL1840B	BATTERY BL1840B SET (197268-8)	2 (XRJ04M)



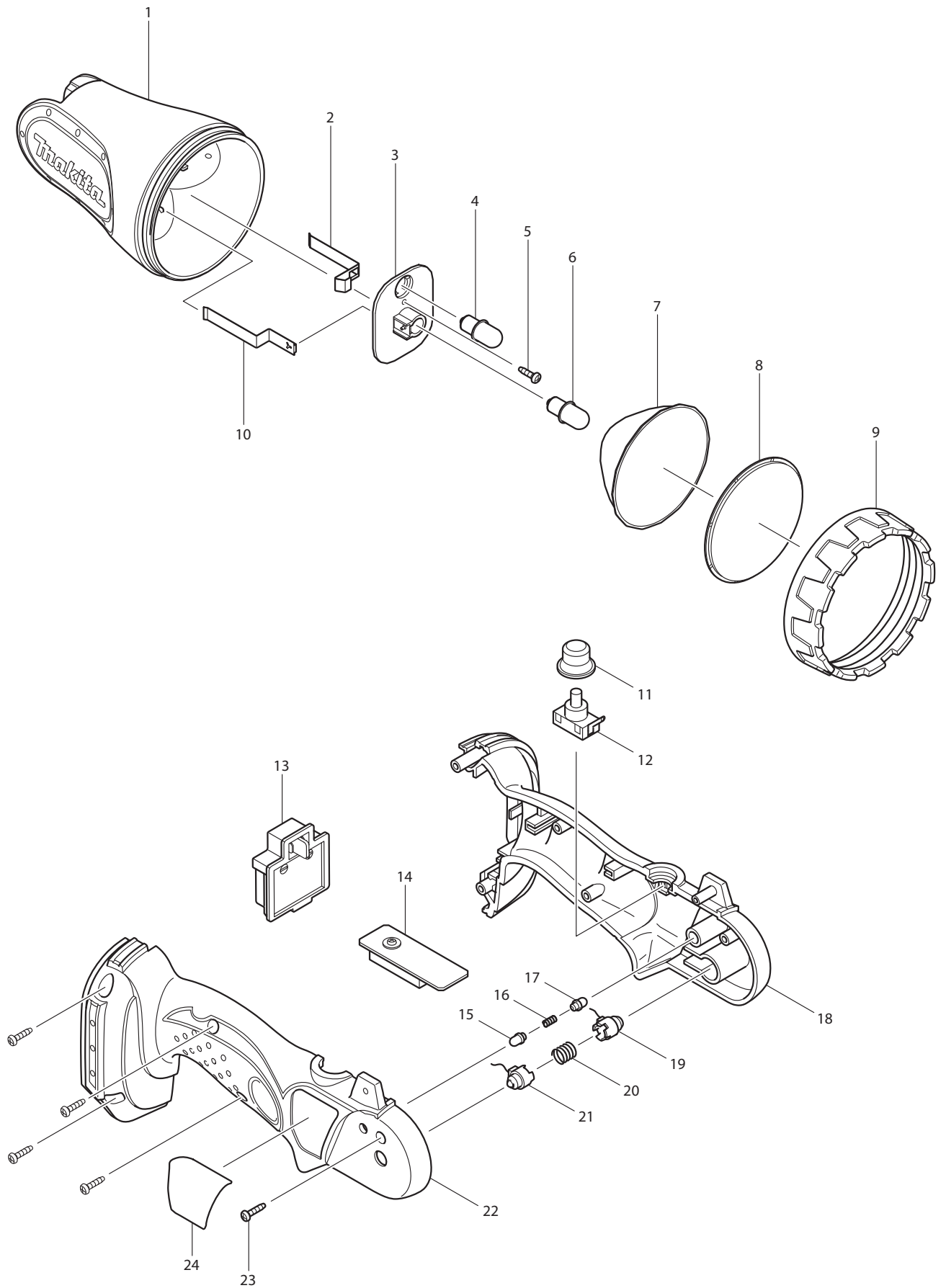
## Model XAG03Z Parts List

A = Standard Equipment

O = Circuit Diagram

Item#	Part#	Description	Q'ty	Unit	
001	629134-6	STATOR COMPLETE	1	PC.	
002	210034-7	BALL BEARING 607LLB	1	PC.	
003	519354-9	ROTOR ASS'Y	1		
	D10	INC. 2			
004	319214-3	GEAR HOUSING COVER	1		
005	213445-5	O-RING 26	1	PC.	
006	210042-8	BALL BEARING 629LLB	1	PC.	
007	227541-3	SPIRAL BEVEL GEAR 10	1	PC.	
008	252186-8	HEX. NUT M6	1	PC.	
009	417771-6	PIN CAP	1	PC.	
010	233072-2	COMPRESSION SPRING 8	1	PC.	
011	266361-0	TAPPING SCREW 4X30	4	PC.	
012	213960-9	O RING 5	1	PC.	
013	256546-6	SHOULDER PIN 4	1	PC.	
014	319213-5	GEAR HOUSING	1		
015	263002-9	RUBBER PIN 4	1	PC.	
016	210033-9	BALL BEARING 696ZZ	1	PC.	
017	233950-6	RING SPRING 11	1	PC.	
018	227641-9	SPIRAL BEVEL GEAR 37	1		
019	962151-6	RETAINING RING R-32	1	PC.	
020	211129-9	BALL BEARING 6201DDW	1	PC.	
021	267113-2	FLAT WASHER 12	1	PC.	
022	213622-9	O RING 45	1	PC.	
023	318331-6	BEARING BOX	1	PC.	
024	911121-2	PAN HEAD SCREW M4X14	4	PC.	
025	345464-4	LABYRINTH RING	1	PC.	
026	324955-8	SPINDLE A	1	PC.	
027	123144-0	TOOLLESS WHEELCOVER 115AK ASSY	1	PC.	
	C10	213009-5	O RING 4	1	PC.
	C20	265180-1	PAN HEAD SCREW M5X16	1	PC.
028	224399-1	INNER FLANGE 45	1	PC.	
029	224568-4	LOCK NUT 5/8-45	1	PC.	
030	850J28-6	XAG03 NAME PLATE	1		
031	266326-2	TAPPING SCREW 4X18	5	PC.	
032	455450-8	DUST COVER R	1		
033	187998-9	MOTOR HOUSING SET	1		
	C10	263005-3	RUBBER PIN 6	2	PC.
	D10	INC. 41			
034	455447-7	SWITCH KNOB	1		
035	455446-9	SWITCH LEVER	1		
036	455448-5	LEVER	1		
037	231679-8	TORSION SPRING 2	1		
038	268330-7	PIN 2	1		
039	142901-7	INDICATOR PANEL COMPLETE	1		
040	650579-7	SWITCH 1246.3223	1	PC.	
041	187998-9	MOTOR HOUSING SET	1		
	C10	263005-3	RUBBER PIN 6	2	PC.
	D10	INC. 33			
042	455449-3	DUST COVER L	1		
043	643899-6	TERMINAL	1	PC.	
044	632E34-1	RESISTOR UNIT	1	PC.	
045	632E33-3	LEAD UNIT	1	PC.	

046	850J33-3	XAG03 SERIAL NO. LABEL	1
A01	122910-2	WHEEL COVER 115CK ASSEMBLY	1 PC.
	C10 213009-5	O RING 4	1 PC.
	C20 265180-1	PAN HEAD SCREW M5X16	1 PC.
A02	158237-4	GRIP 36 COMPLETE	1 PC.
A03	782424-9	LOCK NUT WRENCH 28	1 PC.
A04	A-95956	INOX GRINDING WHEEL 115MM	1 PC.
A05	724115-A-25	THIN CUTTING 115	1 PC.
E01	805C42-5	CAUTION LABEL	1
D01	652044-2	+BIND SCREW M3.5X5.0	2 PC.
D02	654509-0	CONNECTOR 2-SD	1 PC.

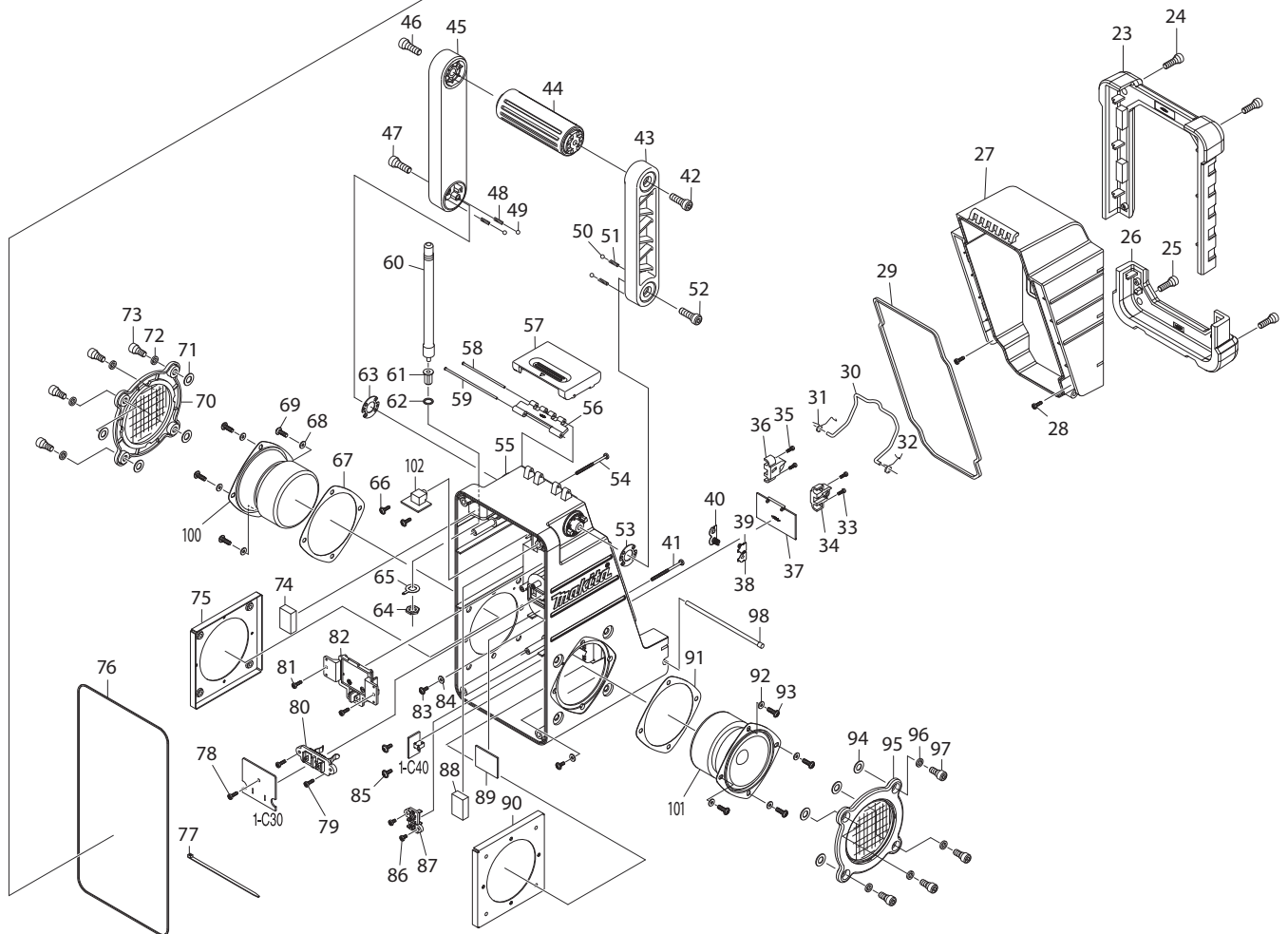
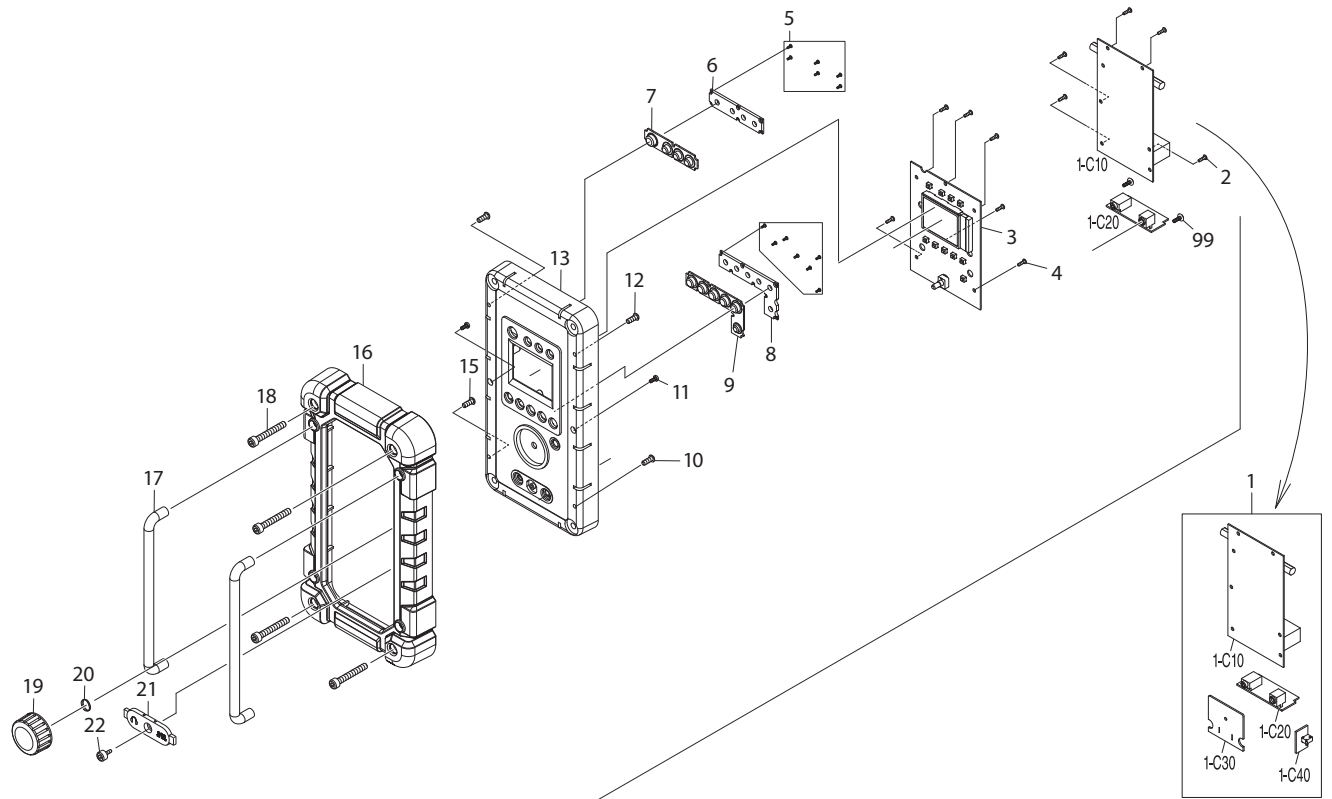


## Model DML185/W Parts List

A = Standard Equipment

O = Circuit Diagram

Item#	Part#	Description	Q'ty	Unit
001	GM00001003	CASE HEAD 30105185104	1	PC. DML185
	GM00001120	CASE HEAD	1	PC. DML185W
002	GM00001010	BULB CONTACT PLATE-21201185002	1	PC.
003	GM00001002	PROTECTOR(CONTACT)32009120012	1	PC.
004	A-90261	BULB SET	1	SET
005	GM00001012	SCREW 3X12 PB BLACK ZN	1	PC.
006	A-90261	BULB SET	1	SET
007	GM00000130	REFLECTOR	1	PC.
008	GM00000070	LENS	1	PC.
009	GM00001001	REFLECTOR RETAINER 30110185003	1	PC.
010	GM00001009	BULB CONTACT PLATE (+)	1	PC.
011	GM00001006	RUBBER COVER 39010185004	1	PC.
012	GM00000200	SWITCH	1	PC.
013	GM00001116	BATTERY HOLDER (C2004185006)	1	PC.
014	GM00001029	CIRCUIT BOARD G0318500100	1	PC.
015	GM00001005	KNOCK SHAFT 31011120009	1	PC.
016	GM00000090	COMPRESSION SPRING 4	1	PC.
017	GM00001005	KNOCK SHAFT 31011120009	1	PC.
018	GM00001000	HOUSING SET	1	SET DML185
	GM00001056	HOUSING SET G0318500303	1	SET DML185W
	D10	INC. 22		
019	GM00001004	LEFT CASE SHAFT 3101012003	1	PC.
020	233144-3	COMPRESSION SPRING 7	1	PC.
021	632524-4	PIVOT TERMINAL UNIT R	1	PC.
022	GM00001000	HOUSING SET	1	SET DML185
	GM00001056	HOUSING SET G0318500303	1	SET DML185W
	D10	INC. 18		
023	GM00001013	SCREW 3X14 PB BLACK ZN	5	PC.
024	GM00001454	NAME PLATE	1	PC.
E01	810320-2	CAUTION LABEL	1	PC.





## Model XRM02W Parts List

A = Standard Equipment

O = Circuit Diagram

Item#	Part#	Description	Q'ty	Unit
001	SE00000266	PCB-A ALL ASS'Y JP	1	PC.
	C10 SE00000267	CIRCUIT BOARD A	1	PC.
	C20 SE00000268	PCB-A DC_JACK ASS'Y	1	PC.
	C30 SE00000269	PCB-A PWR_WIRE ASS'Y	1	PC.
	C40 SE00000270	PCB-A BATT._DET ASS'Y	1	PC.
	C50 SE00000220	CIRCUIT BOARD C AUX-2 ASS'Y	1	PC.
002	SE09163102	SCREW M3X10	5	PC.
003	SE00000299	CIRCUIT BOARD C ASSY	1	PC.
004	SE09163102	SCREW M3X10	6	PC.
005	SE09090011	SCREW 1.7	13	PC.
006	SE020PC020	POWER BUTTON HOLDER	1	PC.
007	SE00000157	POWER BUTTON (GRY)	1	PC.
008	SE020PC030	PRESET BUTTON HOLDER	1	PC.
009	SE00000158	PRESET BUTTON (GRY)	1	PC.
010	SE09064161	SCREW M4X16	1	PC.
011	SE09163102	SCREW M3X10	2	PC.
012	SE09064161	SCREW M4X16	2	PC.
013	SE00000204	FRONT CABINET ASSY	1	PC.
015	SE09064161	SCREW M4X16	1	PC.
016	SE00000159	FRONT BUMPER	1	PC.
017	SE0338PC5Z	FRONT BAR	2	PC.
018	SE00000160	SCREW PTHE6X47(CR)	4	PC.
019	SE00000161	ROTARY KNOB	1	PC.
020	SE21B1110A	ROTARY KNOB RING	1	PC.
021	SE0335PC5Z	JACK COVER	1	PC.
022	SE09173106	HEX SCREW M3X10	1	PC.
023	SE00000162	BATTERY COVER BUMPER	1	PC.
024	SE09176166	HEX SCREW M6X16	2	PC.
025	SE09176166	HEX SCREW M6X16	2	PC.
026	SE00000165	REAR BUMPER	1	PC.
027	SE00000167	BATTERY COVER	1	PC.
028	SE09163102	SCREW M3X10	2	PC.
029	SE00000168	PACKING	1	PC.
030	SE00000169	SUPPORT BAR	1	PC.
031	SE00000170	SPRING-L	1	PC.
032	SE00000171	SPRING-R	1	PC.
033	SE09163102	SCREW M3X10	2	PC.
034	SE00000173	SPRING HOLDER-R	1	PC.
035	SE09163102	SCREW M3X10	2	PC.
036	SE00000175	SPRING HOLDER-L	1	PC.
037	SE00000031	BACK UP BATTERY COVER (WHITE)	1	PC.
038	SE021E9010	BATTERY CONTACT (+)	1	PC.
039	SE021E9020	BATTERY CONTACT (-)	1	PC.
040	SE021E9030	+/- BATTERY CONTACT ASS'Y	1	PC.
041	SE09163452	SCREW M3X45	1	PC.
042	SE00000176	SCREW PTHE6X20(CR)	1	PC.
043	SE00000178	HANDLE HOLDER (R)	1	PC.
044	SE00000179	HANDLE	1	PC.
045	SE00000181	HANDLE HOLDER (L)	1	PC.
046	SE00000176	SCREW PTHE6X20(CR)	1	PC.

047	SE09176166	HEX SCREW M6X16	1 PC.
048	SE00000184	SPRING	2 PC.
049	SE09994007	STEEL BALL	2 PC.
050	SE09994007	STEEL BALL	2 PC.
051	SE00000184	SPRING	2 PC.
052	SE09176166	HEX SCREW M6X16	1 PC.
053	SE00000187	HANDLE SUS-PLATE (R)	1 PC.
054	SE09163452	SCREW M3X45	1 PC.
055	SE00000189	REAR CABINET	1 PC.
056	SE00000067	LOCKER HINGER	1 PC.
057	SE00000190	BATTERY COVER LOCKER	1 PC.
058	SE021PC050	LOCKER FIXER PIN 63.8	1 PC.
059	SE021PC040	LOCKER FIXER PIN 79.5	1 PC.
060	SE00000191	ROD ANT (BLK)	1 PC.
061	SE021J9032	ROD ANT HOLDER	1 PC.
062	SE024J9050	PACKING	1 PC.
063	SE00000192	HANDLE SUS-PLATE(L)	1 PC.
064	SE021P0020	NUT	1 PC.
065	SE021PC100	ROD ANT TERMINAL	1 PC.
066	SE00000193	SCREW 3X10	2 PC.
067	SE024J9030	PACKING	1 PC.
068	SE024J9070	PACKING	4 PC.
069	SE09090023	SCREW M4X12	4 PC.
070	SE00000205	SPEAKER NET ASSY	1 PC.
071	SE024J9090	PACKING	4 PC.
072	SE024J9040	PACKING	4 PC.
073	SE9076146A	HEX SCREW M6X14	4 PC.
074	SE023PC020	EVA 25X18X5.5	1 PC.
075	SE021J9010	SPEAKER HOLDER	1 PC.
076	SE024PC040	PACKING	1 PC.
077	SE00000195	W/TIES 100MM	1 PC.
078	SE09163102	SCREW M3X10	1 PC.
079	SE09163102	SCREW M3X10	2 PC.
080	SE00000098	CLUSTER BATTERY HOLDER	1 PC.
081	SE09163102	SCREW M3X10	2 PC.
082	SE00000197	TERMINAL D	1 PC.
083	SE00000193	SCREW 3X10	2 PC.
084	SE00000199	SILICON RUBBER WASHER	2 PC.
085	SE00000193	SCREW 3X10	2 PC.
086	SE09163062	SCREW M3X6	2 PC.
087	SE00000200	TERMINAL C	1 PC.
088	SE023PC020	EVA 25X18X5.5	2 PC.
089	SE02311000	SPACER (A)	1 PC.
090	SE021J9010	SPEAKER HOLDER	1 PC.
091	SE024J9030	PACKING	1 PC.
092	SE024J9070	PACKING	4 PC.
093	SE09090023	SCREW M4X12	4 PC.
094	SE024J9090	PACKING	4 PC.
095	SE00000205	SPEAKER NET ASSY	1 PC.
096	SE024J9040	PACKING	4 PC.
097	SE9076146A	HEX SCREW M6X14	4 PC.
098	SE021PC030	BATTERY COVER LOCKER	1 PC.
099	SE00000193	SCREW 3X10	2 PC.
100	SE01620771	SPEAKER	1 PC.
101	SE01620771	SPEAKER	1 PC.
A01	SE00000077	AC ADAPTER 3A83PCF01B11	1 PC.