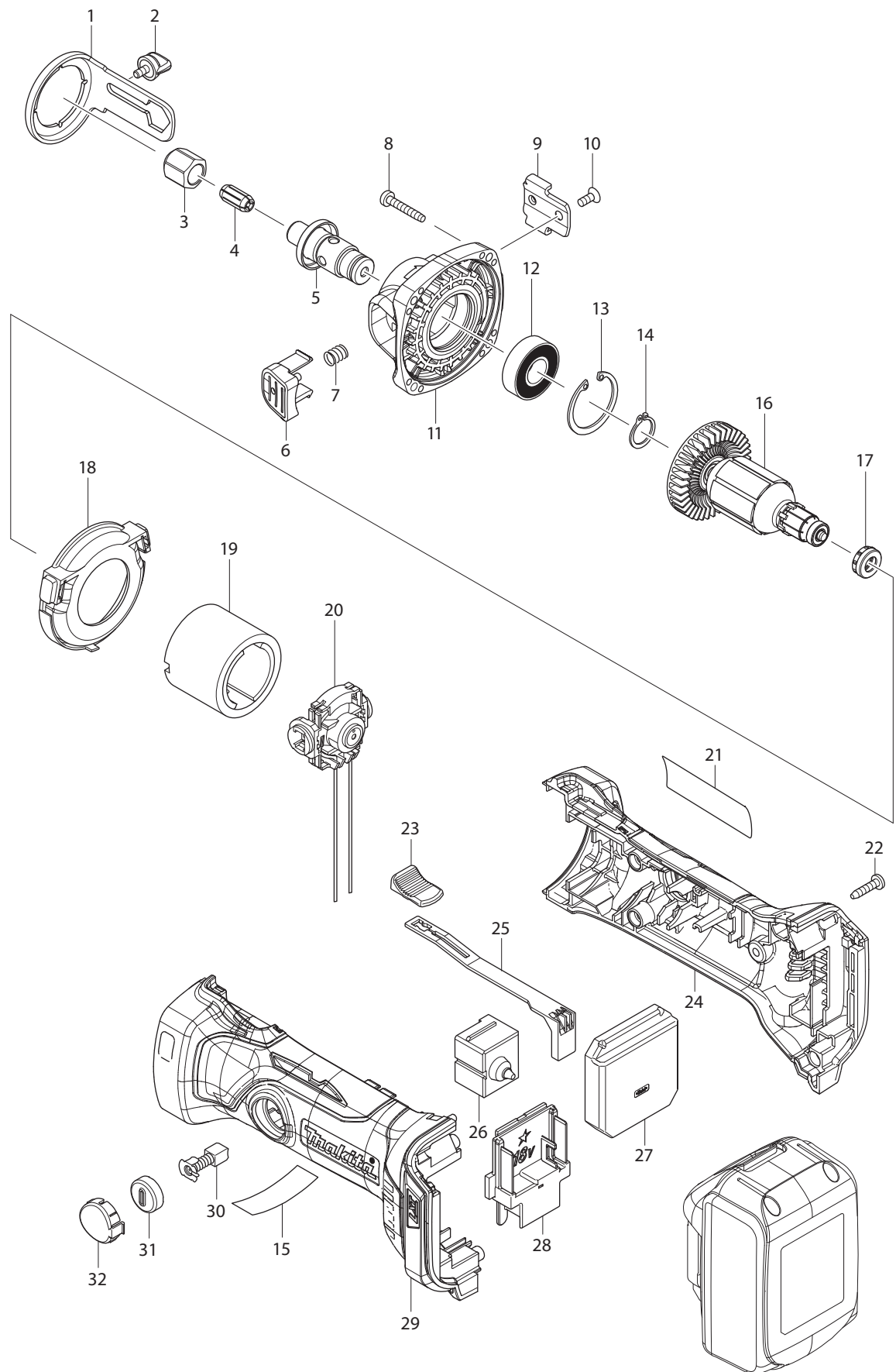


Model XSF03Z Parts List

A = Standard Equipment

O = Circuit Diagram

| Item# | Part# | Description | Q'ty | Unit |
|-------|--------------|------------------------------|------|------|
| 001 | 455591-0 | LOCK RING | 1 | |
| 002 | 424235-3 | SEAL RING 30 | 1 | PC. |
| 003 | 158876-0 | LOCATOR L COMPLETE | 1 | PC. |
| 004 | 424665-8 | DUST SEAL SLEEVE | 1 | |
| 005 | 234348-0 | RING SPRING 30 | 1 | |
| 006 | 232245-4 | LEAF SPRING | 1 | PC. |
| 007 | 142902-5 | GEAR HOUSING COMPLETE | 1 | PC. |
| | C10 213796-6 | OIL SEAL 11 | 1 | PC. |
| 008 | 265995-6 | TAPPING SCREW 4X18 | 3 | PC. |
| 009 | 423413-2 | RUBBER PLATE | 1 | PC. |
| 010 | 232050-9 | LEAF SPRING | 1 | PC. |
| 011 | 216001-0 | STEEL BALL 3.5 | 1 | PC. |
| 012 | 142903-3 | SPINDLE 125S COMPLETE | 1 | PC. |
| 013 | 234121-8 | COMPRESSEION SPRING 8 | 1 | PC. |
| 014 | 267202-3 | FLAT WASHER 8 | 2 | PC. |
| 015 | 223181-5 | CLUTCH CAM 125S | 1 | PC. |
| 016 | 216008-6 | STEEL BALL 4 | 3 | PC. |
| 017 | 142904-1 | GEAR COMPLETE | 1 | |
| | C10 424663-2 | SEAL | 1 | |
| 018 | 268325-0 | ROD 2 | 1 | |
| 019 | 424664-0 | SEAL RING | 1 | |
| 020 | 142909-1 | GEAR HOUSING COVER COMPLET | 1 | PC. |
| 024 | 519355-7 | ROTOR ASS'Y | 1 | PC. |
| 026 | 629135-4 | STATOR | 1 | PC. |
| 027 | 162272-6 | HOOK | 1 | PC. |
| 028 | 142908-3 | LEVER COMPLETE | 1 | PC. |
| 029 | 233619-2 | TORSION SPRING 3 | 1 | |
| 030 | 187968-8 | HOUSING SET | 1 | SET |
| | C10 263005-3 | RUBBER PIN 6 | 2 | PC. |
| | D10 | INC. 38 | | |
| 031 | 850H35-7 | XSF03 NAME PLATE | 1 | |
| 032 | 266130-9 | TAPPING SCREW BIND PT 3X16 | 7 | PC. |
| 033 | 266490-9 | TAPPING SCREW PT 2X6 | 3 | PC. |
| 034 | 142905-9 | SWITCH PLATE COMPLETE | 1 | |
| 035 | 620349-8 | CONTROLLER | 1 | |
| 036 | 643860-3 | TERMINAL | 1 | PC. |
| 037 | 650733-3 | SWITCH C3JW-4B-2L | 1 | PC. |
| 038 | 187968-8 | HOUSING SET | 1 | SET |
| | C10 263005-3 | RUBBER PIN 6 | 2 | PC. |
| | D10 | INC. 30 | | |
| 039 | 850H40-4 | XSF03 SERIAL NO. LABEL | 1 | |
| A01 | 266622-8 | + TRUSS HEAD SCREW M4X12 | 1 | PC. |
| A02 | 346449-3 | HOOK | 1 | PC. |
| A03 | 784211-B | +BIT 2-25 | 2 | PC. |
| A04 | 784812-6 | MAGNETIC CONNECT BIT 6.35-76 | 1 | |
| D01 | 654562-6 | INSULATED CONNECTOR 35115 | 3 | PC. |



Model XOC01Z Parts List

A = Standard Equipment

O= Circuit Diagram

| Item# | Part# | Description | Q'ty | Unit |
|-------|----------|---|------|------|
| 001 | 346796-2 | SHOE PLATE | 1 | |
| 002 | 266898-7 | THUMB SCREW M4X8 | 1 | |
| 003 | 763675-3 | COLLET NUT | 1 | PC. |
| 004 | 763677-9 | COLLET CONE 3.18 | 1 | PC. |
| 005 | 142656-4 | SPINDLE COMPLETE | 1 | PC. |
| 006 | 455181-9 | SHAFT LOCK | 1 | |
| 007 | 234332-5 | COMPRESSION SPRING 7 | 1 | |
| 008 | 266374-1 | TAPPING SCREW 4X25 | 4 | PC. |
| 009 | 346795-4 | SHOE SUPPORT | 1 | |
| 010 | 912107-9 | COUNTERSUNK HEAD SCREW M4X8 | 1 | PC. |
| 011 | 142655-6 | BEARING BOX COMPLETE | 1 | PC. |
| 012 | 211236-8 | BALL BEARING 6002DDW | 1 | PC. |
| 013 | 962151-6 | RETAINING RING R-32 | 1 | PC. |
| 014 | 961055-9 | RETAINING RING S-15 | 1 | PC. |
| 015 | 804E91-1 | CAUTION LABEL | 1 | |
| 016 | 619344-3 | ARMATURE | 1 | PC. |
| 018 | 455182-7 | BAFFLE PLATE | 1 | |
| 019 | 638627-2 | YOKE UNIT | 1 | PC. |
| 020 | 632C14-5 | ENDBELL COMPLETE | 1 | |
| 021 | 815U76-8 | XOC01 NAME PLATE | 1 | |
| 022 | 266326-2 | TAPPING SCREW 4X18 | 5 | PC. |
| 023 | 419566-3 | SWITCH KNOB | 1 | PC. |
| 024 | 187871-3 | HOUSING SET | 1 | |
| | D10 | INC. 29 | | |
| 025 | 419519-2 | SWITCH LEVER | 1 | PC. |
| 026 | 650579-7 | SWITCH 1246.3223 | 1 | PC. |
| 027 | 620303-2 | CONTROLLER | 1 | |
| | C10 | 654037-5 INSULATED TERM. FT1.25-M3 | 1 | PC. |
| | C20 | 654077-3 INSULATED TERMINAL FK2-M3D-5.5 | 1 | PC. |
| | C30 | 654208-4 RECEPTACLE | 2 | PC. |
| | C40 | 654281-4 RECEPTACLE | 1 | PC. |
| | C50 | 654304-8 RECEPTACLE | 2 | PC. |
| 028 | 643860-3 | TERMINAL | 1 | PC. |
| 029 | 187871-3 | HOUSING SET | 1 | |
| | D10 | INC. 24 | | |
| 030 | CB430 | CARBON BRUSH CB-430 (195018-5) | 1 | SET |
| 031 | 643929-3 | BRUSH HOLDER CAP | 2 | PC. |
| 032 | 455183-5 | HOLDER CAP COVER | 2 | |
| A01 | 193446-8 | DRYWALL GUIDE BIT 3.18 SET | 2 | SET |
| A02 | 781008-0 | WRENCH 17 | 1 | PC. |
| D01 | 654510-5 | INSULATED CONNECTOR 5.5-SD | 2 | PC. |
| D02 | 652045-0 | +PAN HEAD SCREW M3.5X5 | 2 | PC. |