

Assembly Instructions: 2247-LP/5SF (Paris)

IMPORTANT:

- ALL INSTALLATION WORK SHOULD BE DONE BY ACCREDITED PROFESSIONAL.
- SHUT OFF POWER SUPPLY AT FUSE OR CIRCUIT BREAKER!
- USE ONLY THE SPECIFIED BULBS. DO NOT EXCEED THE MAXIMUM WATTAGE!

For Customer Service, please contact the place of purchase.

PREPARING FOR INSTALLATION

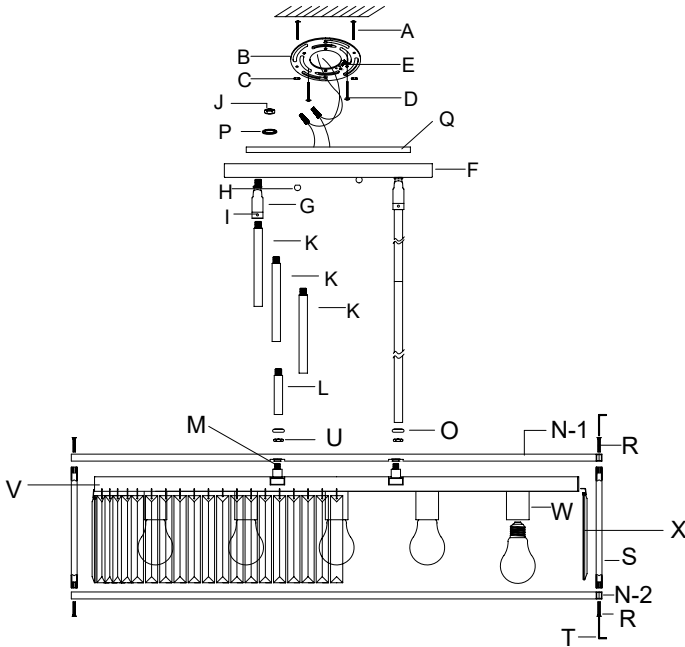
Carefully remove all of the contents from the carton. See the important notes above. Shut off the power at the circuit breaker and completely remove the old fixture from the ceiling, including the old mounting strap.

1. From the parts bag remove the mounting strap assembly. Mounting strap (B) contains threaded holes. Two of mounting screws (A) should be attached to mounting strap (B). You may need to tighten nuts (C) that hold these screws in place.
2. Place mounting strap (B) over the junction box. Line up the holes in canopy (F) with the holes in mounting strap (B). Secure mounting strap (B) to the junction box with mounting screws (D) and a screwdriver. Tighten the screws securely.

ASSEMBLING THE FIXTURE

3. The fixture can be hung with or without the frame. To use with the frame, follow the diagram. Use screws (R) and allen wrench (T) to connect frame sides (S) to frame top and bottom (N-1 and N-2).

Hex nut (U), washers (O) and rods (L and K) are on the fixture's wires, but not connected to the fixture. Measure to determine the correct number of rods needed for proper hanging height. There are 3 optional 12 inch rods (K) and 1 optional 6 inch rod (L) included for each side of the fixture.



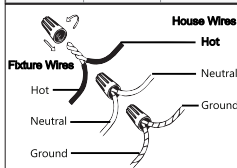
To lengthen the fixture, add additional rods. If additional rods are needed, contact the place of purchase to order. Thread the wires through the rods and pull the wires until taut before threading the rods together. Thread bottom rods (L or K) onto posts (M) at the top of the fixture's body. Twist the top rod (L or K) onto the threads of swivel posts (G) of canopy (F). Lock the rods in place by twisting screw (I).

To shorten the fixture, trim the wires to the desired length adding at least 8 to 10 inches of wire to the desired length. Slide excess rods off the fixture's wires to discard. **For the semi-flush installation, thread the wires through swivels (G) and connect the swivels to posts (M).**

4. Place plate (Q) inside canopy (F). Pull the fixture's wires through the top of canopy (F) and plate (Q). Secure swivel post (G) to canopy (F) by tightening hex nuts (J) over spacer (P).

How to Identify the Fixture's Wires

Hot	Neutral	Ground
Smooth	Ribbed	Bare Metal, Green, or Green Inner Thread
Black	White	
Black Inner Thread	White Inner Thread	



CONNECTING THE WIRES

5. Have an assistant support the weight of the fixture while completing the wiring. Cut away excess wire. Attach the fixture's wires to the power supply wires from the junction box. Connect black to black (or smooth); white to white (or ribbed); ground to ground (green or copper). Twist the ends of the wire pairs together, and then twist on a wire connector. Make sure all twists are in the same direction. If there is no ground wire (green or copper) coming from the junction box, locate ground screw (E) on the mounting strap and wrap the fixture's ground wire around the green ground screw (E). Use a screwdriver to secure ground screw (E) onto the mounting bracket. Tuck all wires neatly into the junction box.

FINISHING THE INSTALLATION

6. Push canopy (F) up to the ceiling and tightly thread nuts (H) onto the exposed threads of mounting screws (A).
7. Install light bulbs (not provided) into in accordance with the fixture's specifications. Do not exceed the maximum wattage.
8. Hook crystals (X) onto shade frame (V).

Your installation is now complete. Turn on the power and test the fixture.

CLEANING TIPS

Treat the fixture gently! Regular cleaning will reduce the need for deep cleaning. For regular cleaning, turn off the light and wipe down the fixture with a clean lint-free cotton or microfiber cloth. Never spray cleaner directly onto the fixture.